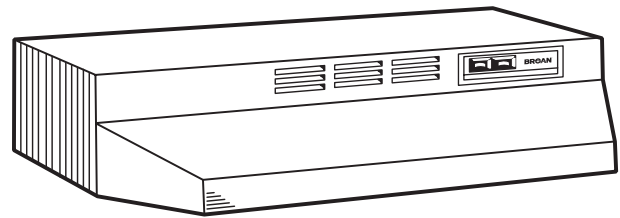


# 41000 SERIES TWO-SPEED NON-DUCTED RANGE HOOD



Broan's most economical non-ducted hood with filtration of airborne cooking contaminants.

**FEATURES**

- Rocker-type fan and light switches
- Polymeric blade and light lens (accepts up to 75W bulb)
- Non-ducted filter – effective non-ducted filtration system removes smoke and odors
- Mitered sides and hemmed bottom for safety and good looks
- Contemporary styling in White, Almond, Black and Stainless Steel
- Available in 24", 30", 36", and 42" widths
- Special Order Size: 21"

**SPECIFICATIONS**

VOLTS	AMPS	RPM
120	2.0	2850

**TYPICAL SPECIFICATION**

Range hood shall be Broan Model 41000.

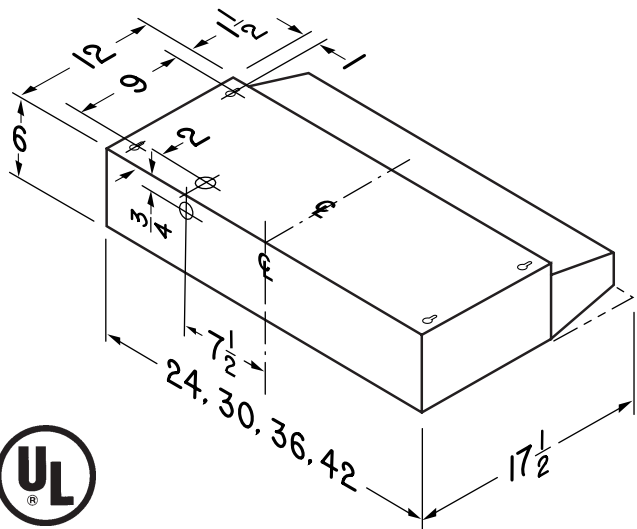
Unit shall be non-ducted and have a non-ducted filter.

Motor to be permanently lubricated. RPM not to exceed 2850.

Unit shall have a two-speed fan switch and separate light switch.

Sides shall be mitered and bottom edge hemmed – with no sharp edges.

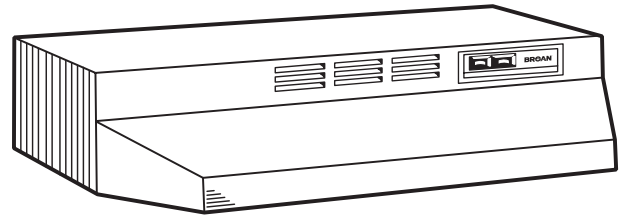
Unit shall be U.L. listed.



Broan-NuTone LLC, 926 West State Street, Hartford, Wisconsin 53027 (1-800-637-1453)

REFERENCE	QTY.	REMARKS	Project	
			Location	
			Architect	
			Engineer	
			Contractor	
			Submitted by	Date

# 41000 SERIES TWO-SPEED NON-DUCTED RANGE HOOD



Broan's most economical non-ducted hood with filtration of airborne cooking contaminants.

**FEATURES**

- Rocker-type fan and light switches
- Polymeric blade and light lens (accepts up to 75W bulb)
- Non-ducted filter – effective non-ducted filtration system removes smoke and odors
- Mitered sides and hemmed bottom for safety and good looks
- Contemporary styling in White, Almond, Black and Stainless Steel
- Available in 24", 30", 36", and 42" widths
- Special Order Size: 21"

**SPECIFICATIONS**

VOLTS	AMPS	RPM
120	2.0	2850

**TYPICAL SPECIFICATION**

Range hood shall be Broan Model 41000.

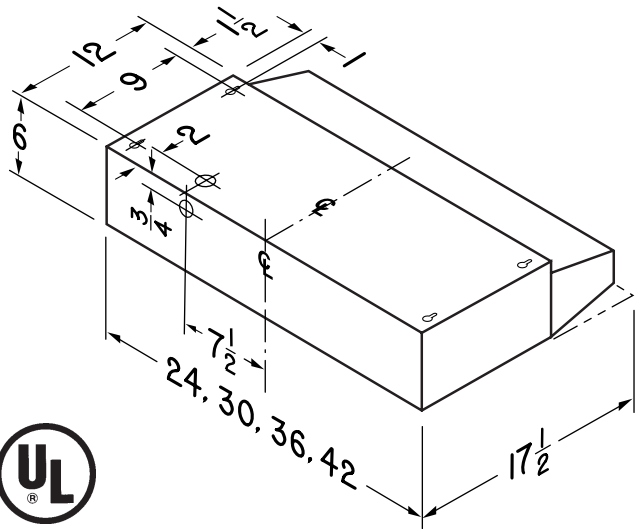
Unit shall be non-ducted and have a non-ducted filter.

Motor to be permanently lubricated. RPM not to exceed 2850.

Unit shall have a two-speed fan switch and separate light switch.

Sides shall be mitered and bottom edge hemmed – with no sharp edges.

Unit shall be U.L. listed.



Broan-NuTone LLC, 926 West State Street, Hartford, Wisconsin 53027 (1-800-637-1453)

REFERENCE	QTY.	REMARKS	Project	
			Location	
			Architect	
			Engineer	
			Contractor	
			Submitted by	Date