



Catalog Number: 4424-GSC3R-NK
Item Description: N3R SCREW CVR GUTTER NK
UPC Code: 784572106437

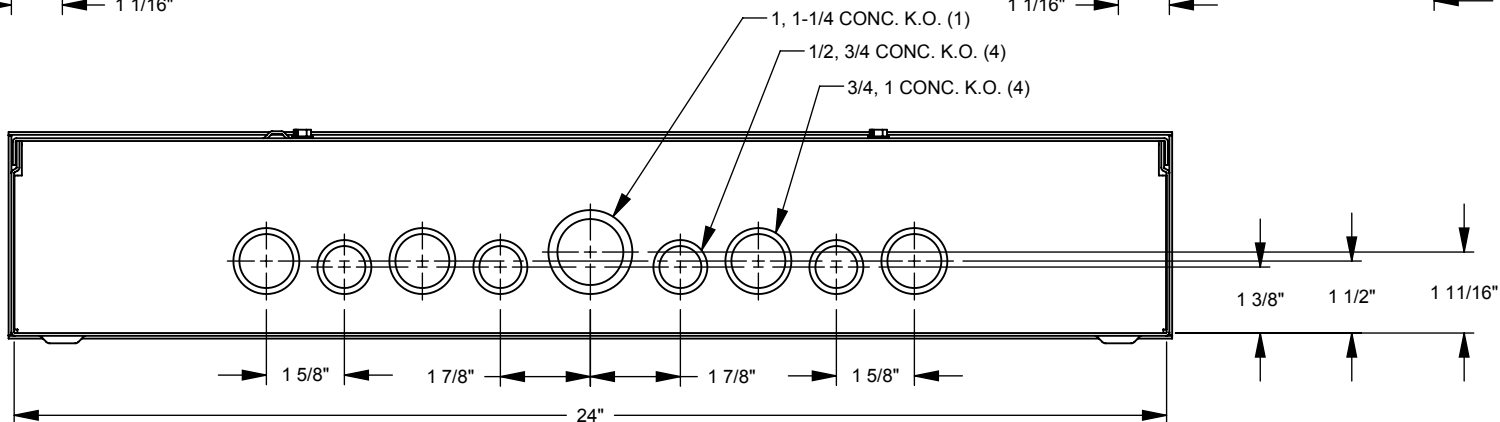
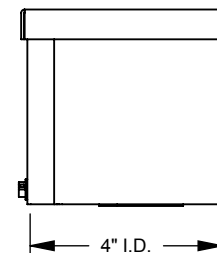
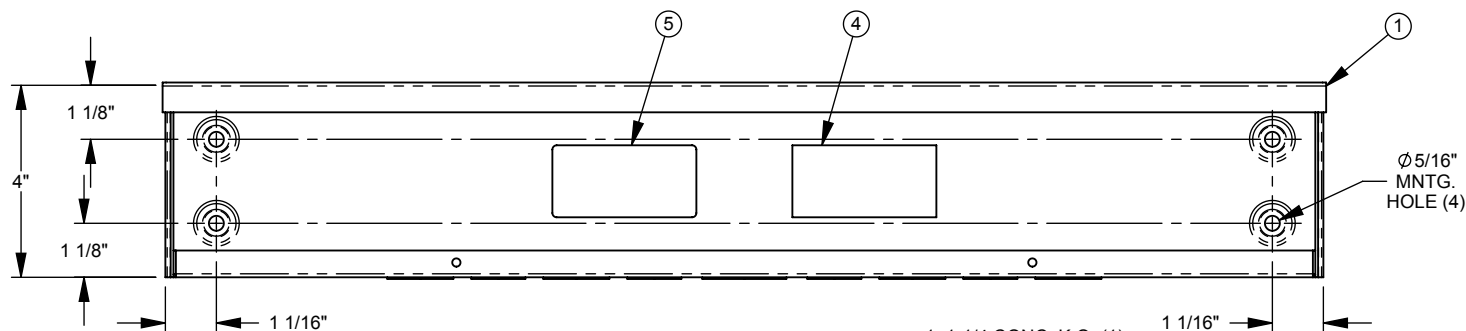
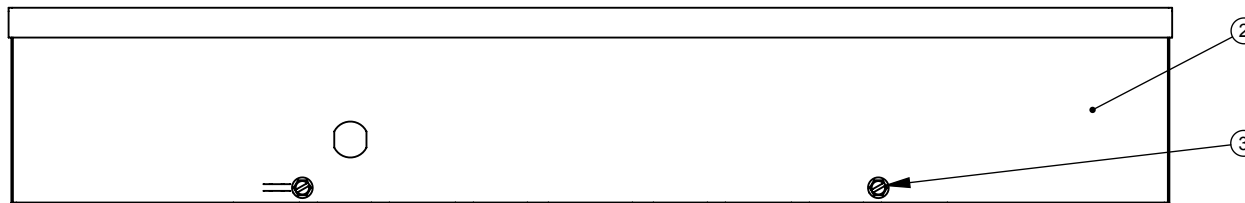
Brand Name: Milbank
Type: Wiring Trough
Special Features: Key Locking Cylinder Latch Provision,
Sealing Eye Lance
Application: Wireway
Standard: UL Listed, Type 3R
Cover Type: Screw Cover
Enclosure: Outdoor Enclosure
Nominal Cross Section: 4x4
Straight Section Length: 24
Material: Steel with Powder Coat Finish
Finish: ANSI 61 Gray
Knockouts: False


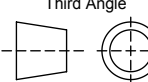


Utility requirements may vary. Always consult the serving utility for their requirements prior to ordering or installing this equipment. This product must always be installed by a licensed electrician. Installation of this equipment may require local electrical inspector approval.

CAT. NO.	U/L LABEL
4424-GSC3R	1002943
RC-4424-GSC3R	1125051
SPRSCG-4424	1132575

ITEM	QTY.	PART NUMBER	DESCRIPTION
1	1	1153002	BACK WELDMENT
2	1	1010760	FRONT
3	2	1001290	SCREW, 10-32 X 5/16
4	1	1002898	LABEL, RATING 4x4 GSC3R
5	1	(SEE CHART)	UL LABEL, WIREWAY



Material:	16 GA. GALV. STEEL		 General Offices: Kansas City, MO	
Shear/ Die#:				
Finish:	MILBANK LIGHT GRAY			
Part Wt.:				
Tolerances: Unless Specified Otherwise X.X ±.1 X.XX ±.03 X.XXX ±.015 X* ±2*		Third Angle 		
Scale:	NTS	Checked By:		
Drawn By:	D.F.	Approved By:		
Title:	SCREW COVER WIREWAY NEMA TYPE 3R		Catalog No.:	(SEE CHART)
Customer:			Drawing No.:	269
Date:	5/6/11	Sheet	1 of 1	

REV.	DATE	DESCRIPTION	BY
A2	5/6/11	REDRAW INTO SOLIDWORKS; UPDATE K.O. PATTERN (ECO #20576)	D.F.



Catalog Number: 4424-GSC3R-NK
Item Description: N3R SCREW CVR GUTTER NK
UPC Code: 784572106437

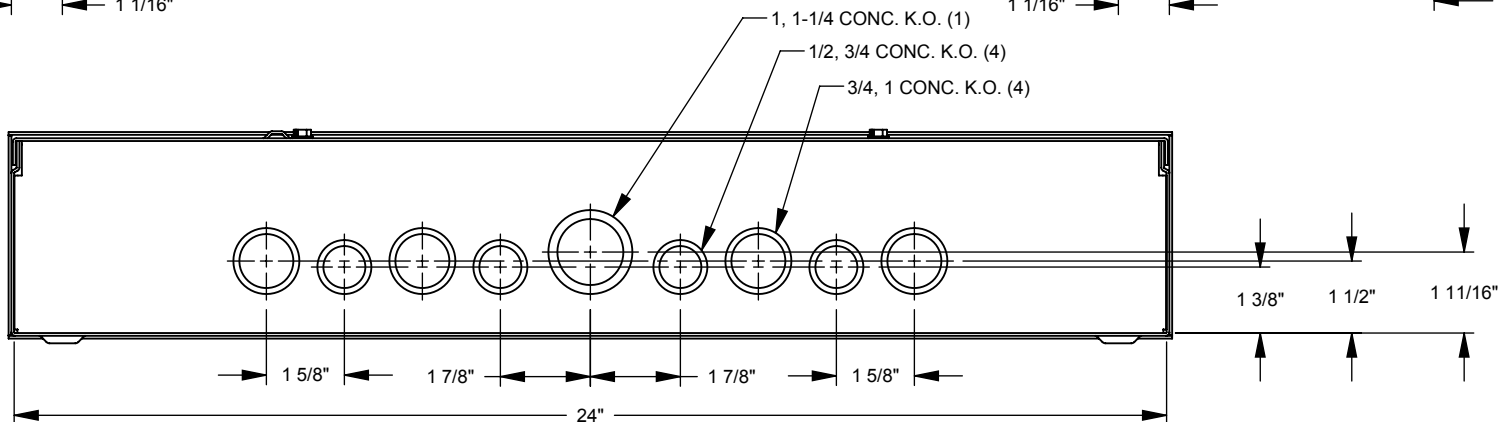
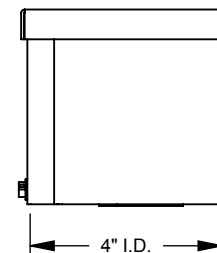
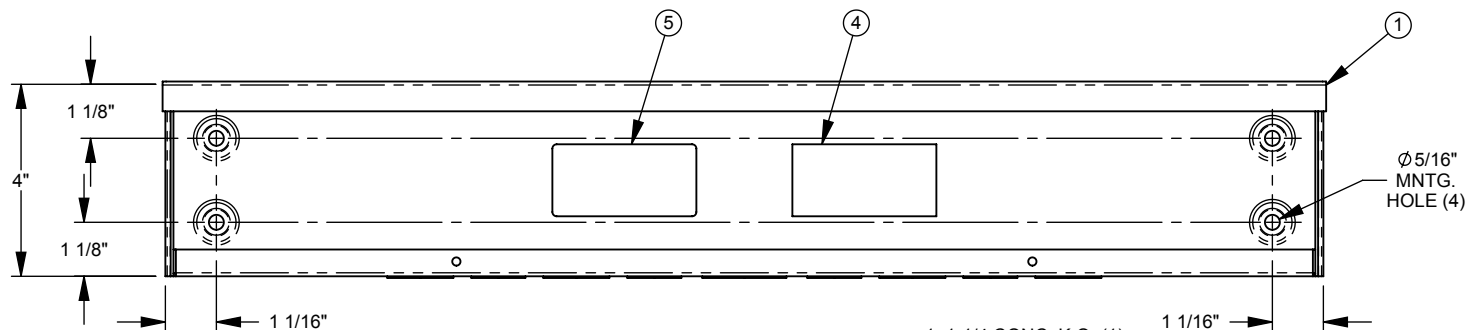
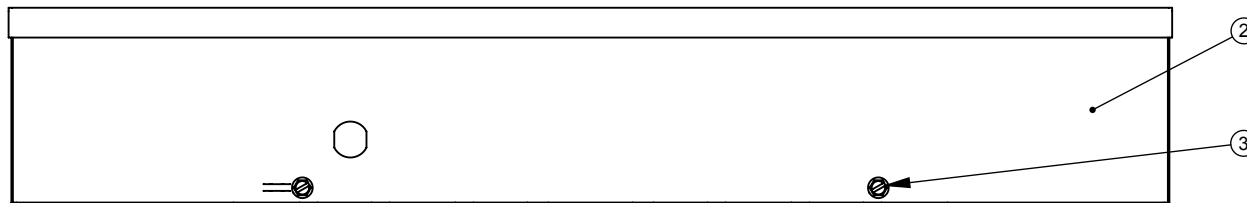
Brand Name: Milbank
Type: Wiring Trough
Special Features: Key Locking Cylinder Latch Provision,
Sealing Eye Lance
Application: Wireway
Standard: UL Listed, Type 3R
Cover Type: Screw Cover
Enclosure: Outdoor Enclosure
Nominal Cross Section: 4x4
Straight Section Length: 24
Material: Steel with Powder Coat Finish
Finish: ANSI 61 Gray
Knockouts: False


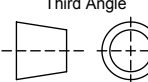


Utility requirements may vary. Always consult the serving utility for their requirements prior to ordering or installing this equipment. This product must always be installed by a licensed electrician. Installation of this equipment may require local electrical inspector approval.

CAT. NO.	U/L LABEL
4424-GSC3R	1002943
RC-4424-GSC3R	1125051
SPRSCG-4424	1132575

ITEM	QTY.	PART NUMBER	DESCRIPTION
1	1	1153002	BACK WELDMENT
2	1	1010760	FRONT
3	2	1001290	SCREW, 10-32 X 5/16
4	1	1002898	LABEL, RATING 4x4 GSC3R
5	1	(SEE CHART)	UL LABEL, WIREWAY



Material:	16 GA. GALV. STEEL		 General Offices: Kansas City, MO	
Shear/ Die#:				
Finish:	MILBANK LIGHT GRAY			
Part Wt.:				
Tolerances:		Third Angle 	Title:	SCREW COVER WIREWAY NEMA TYPE 3R
Unless Specified Otherwise X.X ±.1 X.XX ±.03 X.XXX ±.015 X* ±2*			Catalog No.:	(SEE CHART)
Scale:	NTS	Checked By:	Customer:	
Drawn By:	D.F.	Approved By:	Date:	5/6/11

REV.	DATE	DESCRIPTION	BY
A2	5/6/11	REDRAW INTO SOLIDWORKS; UPDATE K.O. PATTERN (ECO #20576)	D.F.