



Catalog Number: 444-SC1  
Item Description: N1 SCREW COVER ENCL  
UPC Code: 784572106505

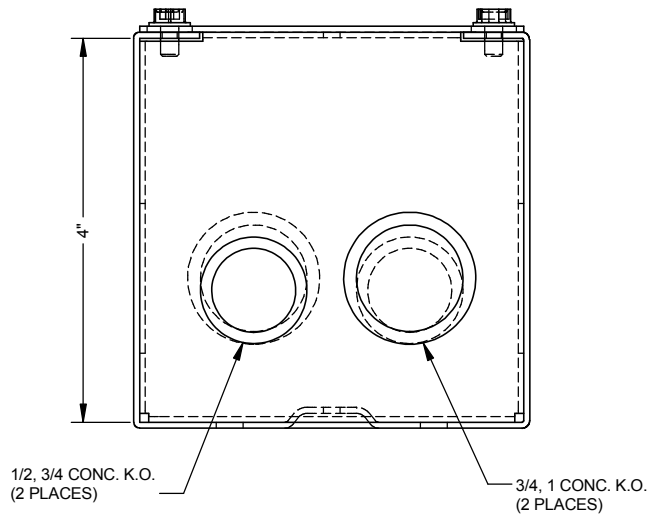
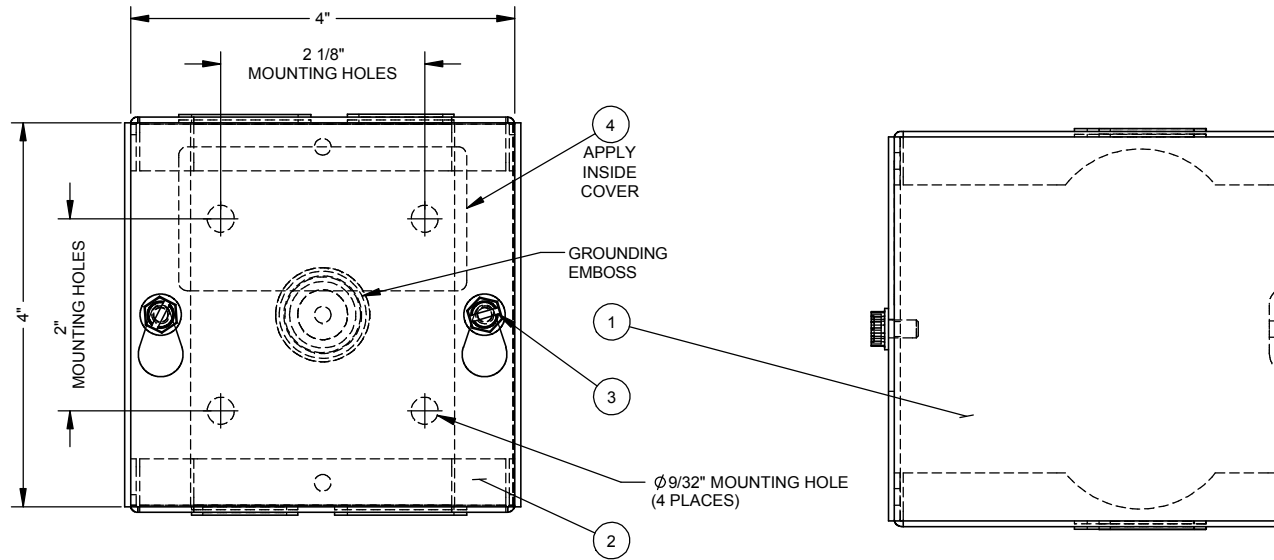
Brand Name: Milbank  
Type: Screw Cover  
Special Features: Cover Secured with Plated Screws  
Application: Enclosure for Mounting Electrical Equipment  
Standard: UL Listed  
Number Of Outlet: 0  
Material: Steel with Powder Coat Finish  
Color: ANSI 61 Gray  
Mounting: Wall Mount  
NEMA Rating: Type 1



*Utility requirements may vary. Always consult the serving utility for their requirements prior to ordering or installing this equipment. This product must always be installed by a licensed electrician. Installation of this equipment may require local electrical inspector approval.*


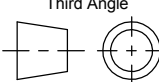
PREFIX #	LABEL#	SUFFIX	FINISH	WELDMENT NO.	COVER PLATE	K.O.s INSTALLED
NONE	1002135	NONE	MILBANK LIGHT GRAY	1161983	1161986	YES
RC-	1125021	-NK		1161984		NO
SPSC-	1132714	-NP	NONE	1143685	1106928	YES
		-NK-NP		1161985		NO

ITEM	QTY.	PART NUMBER	DESCRIPTION
1	1	(SEE CHART)	BACK WELDMENT
2	1	(SEE CHART)	COVER PLATE
3	2	1001290	SCREW, 10-32 X 5/16
4	1	(SEE CHART)	LABEL (UL)
5	1	1002475	BAG ASSY (GROUND SCREW)
6	0.166	1002937	CARTON (NOT SHOWN)



NOTE:

1. PLACE BAG ASSY INSIDE ENCLOSURE (NOT SHOWN).
2. PACK (6 PER) CARTON.

Material:	16 GA. STL.	 <p>General Offices: Kansas City, MO</p>					
Shear/ Die#:							
Finish:	SEE CHART						
Part Wt.:							
Tolerances: Unless Specified Otherwise X.X ±.1 X.XX ±.03 X.XXX ±.015 X* ±2*		Title: 444 SCREW COVER TYPE 1 ENCLOSURE Catalog No.: (-)444-SC1-(-) Customer: MILBANK STD. Drawing No.: 1001693					
Third Angle 		Scale: NTS Checked By: Drawn By: DY Approved By:					
REV.	DATE	DESCRIPTION	BY	Date:	10/10/03	Sheet	1 of 1
D	2/18/14	REVISED BACK TO -NK(eECR2722)	SEM				
C1	11/29/12	REM CRS BILL, ADD CHART (ECO #23227)	JWH				
C2	5/28/13	DELETE 1003085 (ECO #24015)	D.F.				



Catalog Number: 444-SC1  
Item Description: N1 SCREW COVER ENCL  
UPC Code: 784572106505

Brand Name: Milbank  
Type: Screw Cover  
Special Features: Cover Secured with Plated Screws  
Application: Enclosure for Mounting Electrical Equipment  
Standard: UL Listed  
Number Of Outlet: 0  
Material: Steel with Powder Coat Finish  
Color: ANSI 61 Gray  
Mounting: Wall Mount  
NEMA Rating: Type 1

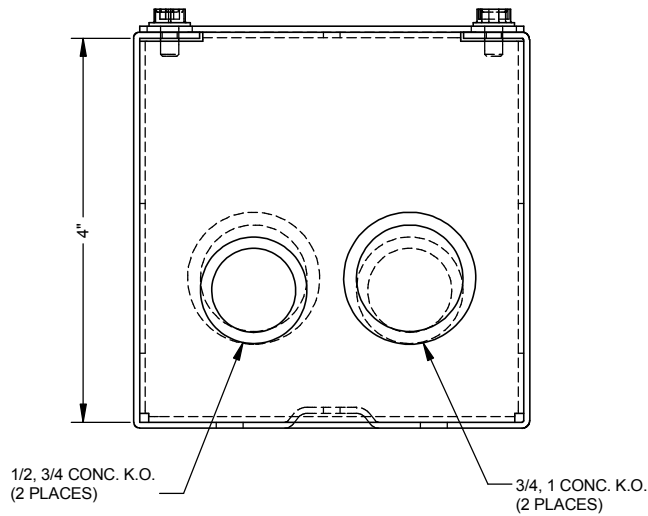
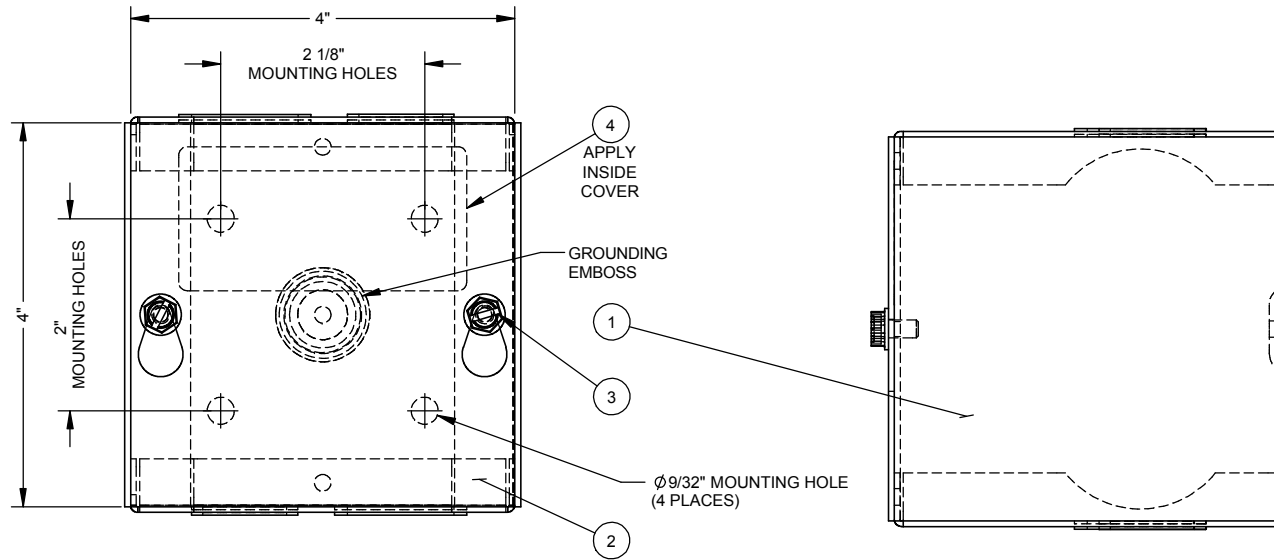


*Utility requirements may vary. Always consult the serving utility for their requirements prior to ordering or installing this equipment. This product must always be installed by a licensed electrician. Installation of this equipment may require local electrical inspector approval.*

PREFIX #	LABEL#
NONE	1002135
RC-	1125021
SPSC-	1132714

SUFFIX	FINISH	WELDMNT NO.	COVER PLATE	K.O.s INSTALLED
NONE	MILBANK LIGHT GRAY	1161983	1161986	YES
-NK		1161984		NO
-NP	NONE	1143685	1106928	YES
-NK-NP		1161985		NO

ITEM	QTY.	PART NUMBER	DESCRIPTION
1	1	(SEE CHART)	BACK WELDMNT
2	1	(SEE CHART)	COVER PLATE
3	2	1001290	SCREW, 10-32 X 5/16
4	1	(SEE CHART)	LABEL (UL)
5	1	1002475	BAG ASSY (GROUND SCREW)
6	0.166	1002937	CARTON (NOT SHOWN)



NOTE:

1. PLACE BAG ASSY INSIDE ENCLOSURE (NOT SHOWN).
2. PACK (6 PER) CARTON.

REV.	DATE	DESCRIPTION	BY
D	2/18/14	REVISED BACK TO -NK(eECR2722)	SEM
C1	11/29/12	REM CRS BILL, ADD CHART (ECO #23227)	JWH
C2	5/28/13	DELETE 1003085 (ECO #24015)	D.F.

Material:	16 GA. STL.	<p>General Offices: Kansas City, MO</p>	
Shear/ Die#:			
Finish:	SEE CHART		
Part Wt.:			
<p>Tolerances: Unless Specified Otherwise X.X ±.1 X.XX ±.03 X.XXX ±.015 X* ±2*</p>		<p>Third Angle</p>	
Title:	444 SCREW COVER TYPE 1 ENCLOSURE	Catalog No.:	( )-444-SC1-( )
Customer:	MILBANK STD.	Drawing No.:	1001693
Date:	10/10/03	Sheet	1 of 1

Scale:	NTS	Checked By:	
Drawn By:	DY	Approved By:	