



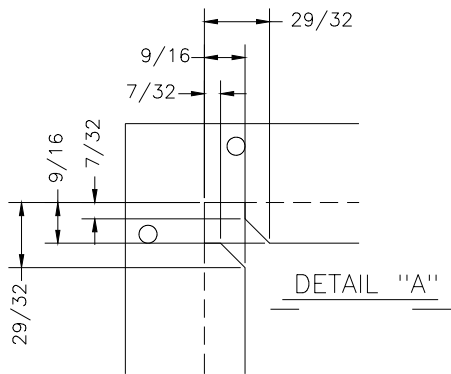
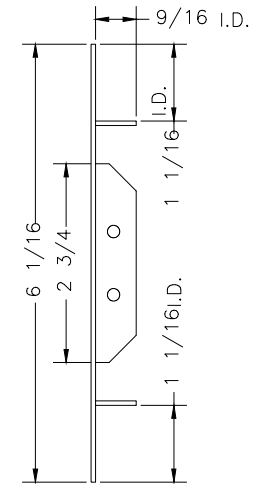
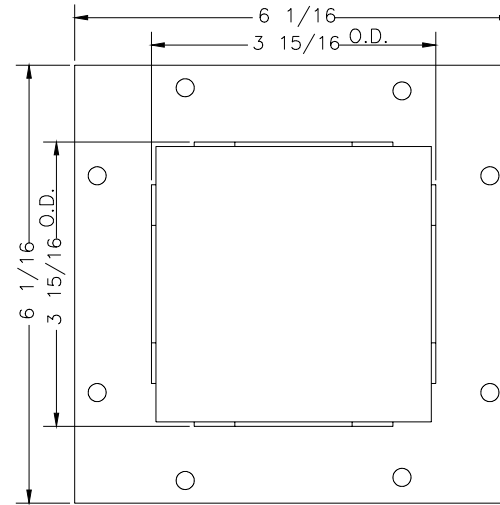
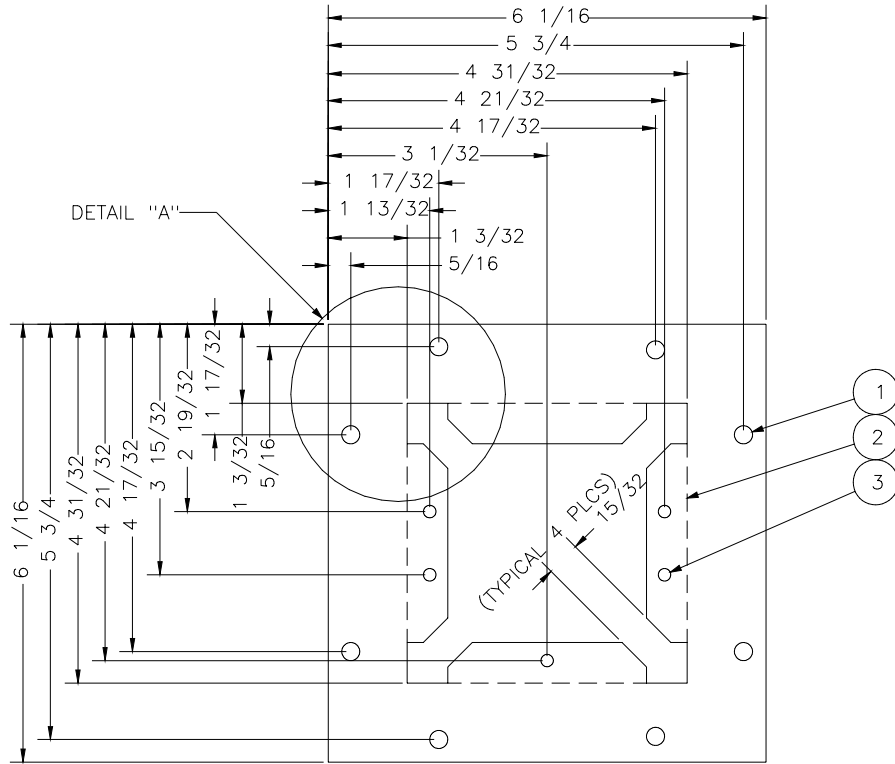
Catalog Number: 44GF  
Item Description: WIREWAY ACCESSORY  
UPC Code: 784572106796

Brand Name: Milbank  
Type: Wireway End Flange  
Application: Wireway Accessory  
Standard: UL Listed, Type 1  
Cover Type: Screw Cover  
Enclosure: Indoor Enclosure  
Nominal Cross Section: 4x4  
Material: Steel with Powder Coat Finish  
Finish: ANSI 61 Gray  
Knockouts: False



*Utility requirements may vary. Always consult the serving utility for their requirements prior to ordering or installing this equipment. This product must always be installed by a licensed electrician. Installation of this equipment may require local electrical inspector approval.*

BILL OF MATERIAL		
NO.	QTY.	DESCRIPTION
1	8	.25 DIA. HOLE
2	4	BREAK LINES (FORM 90° UP)
3	5	.173 DIA. HOLE
4	1	BAG OF SCREWS



REVISIONS:

D 12-12-96	#3 WAS SLOT	DWD	S																	
E 6-24-97	REV. INNER FLANGES FOR GUTTER ACCY'S	DWD	S																	

MATERIAL:	16 GA. STL 6 1/16x6 1/16 .640#
FINISH:	MILBANK LIGHT GREY
CATALOG NO:	44GF
TITLE:	END MOUNT TO 44XXGSC1 SCREW COVER WIREWAY
CUSTOMER:	MILBANK STANDARD
DRAWING NO:	811060-11
MILBANK MFG. CO. GENERAL OFFICES KANSAS CITY, MO.	
DRAWN BY:	VJR
CHECKED BY:	SEM
APPROVED:	
SCALE:	NTS
DATE:	4-27-90



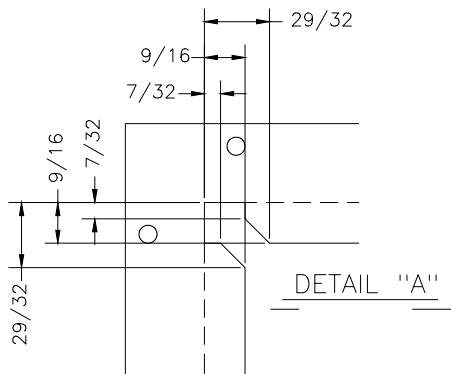
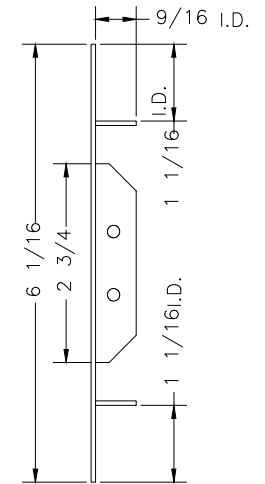
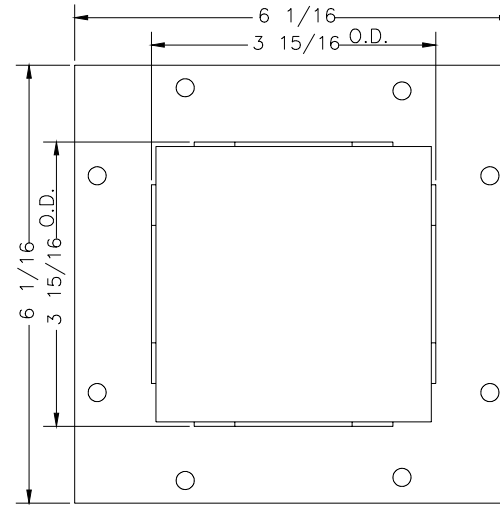
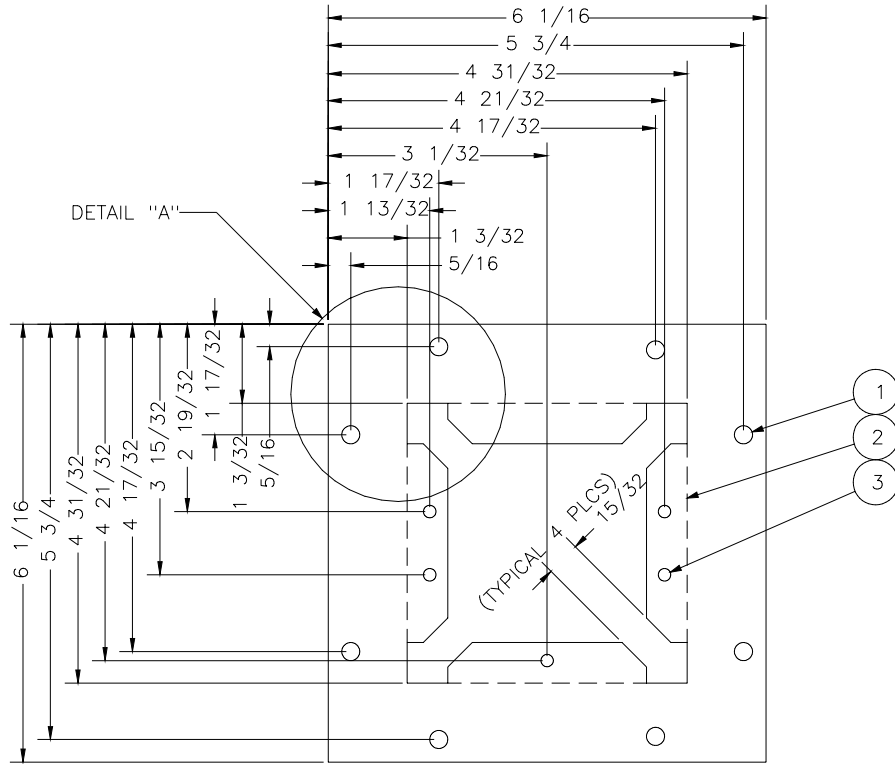
Catalog Number: 44GF  
Item Description: WIREWAY ACCESSORY  
UPC Code: 784572106796

Brand Name: Milbank  
Type: Wireway End Flange  
Application: Wireway Accessory  
Standard: UL Listed, Type 1  
Cover Type: Screw Cover  
Enclosure: Indoor Enclosure  
Nominal Cross Section: 4x4  
Material: Steel with Powder Coat Finish  
Finish: ANSI 61 Gray  
Knockouts: False



*Utility requirements may vary. Always consult the serving utility for their requirements prior to ordering or installing this equipment. This product must always be installed by a licensed electrician. Installation of this equipment may require local electrical inspector approval.*

BILL OF MATERIAL		
NO.	QTY.	DESCRIPTION
1	8	.25 DIA. HOLE
2	4	BREAK LINES (FORM 90° UP)
3	5	.173 DIA. HOLE
4	1	BAG OF SCREWS



REVISIONS:

D 12-12-96	#3 WAS SLOT	DWD	S
E 6-24-97	REV. INNER FLANGES FOR GUTTER ACCY'S	DWD	S

MATERIAL:	16 GA. STL 6 1/16x6 1/16 .640#
FINISH:	MILBANK LIGHT GREY
CATALOG NO:	44GF
TITLE:	END MOUNT TO 44XXGSC1 SCREW COVER WIREWAY
CUSTOMER:	MILBANK STANDARD
DRAWING NO:	811060-11
MILBANK MFG. CO. GENERAL OFFICES KANSAS CITY, MO.	
DRAWN BY:	VJR
CHECKED BY:	SEM
APPROVED:	
SCALE:	NTS
DATE:	4-27-90