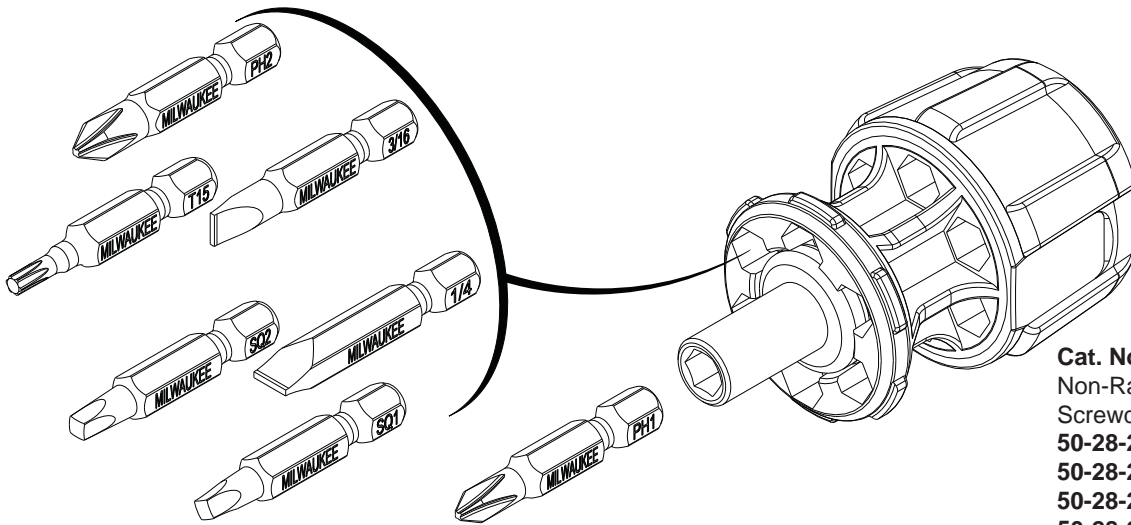




SERVICE PARTS LIST

BULLETIN NO.
54-49-3145

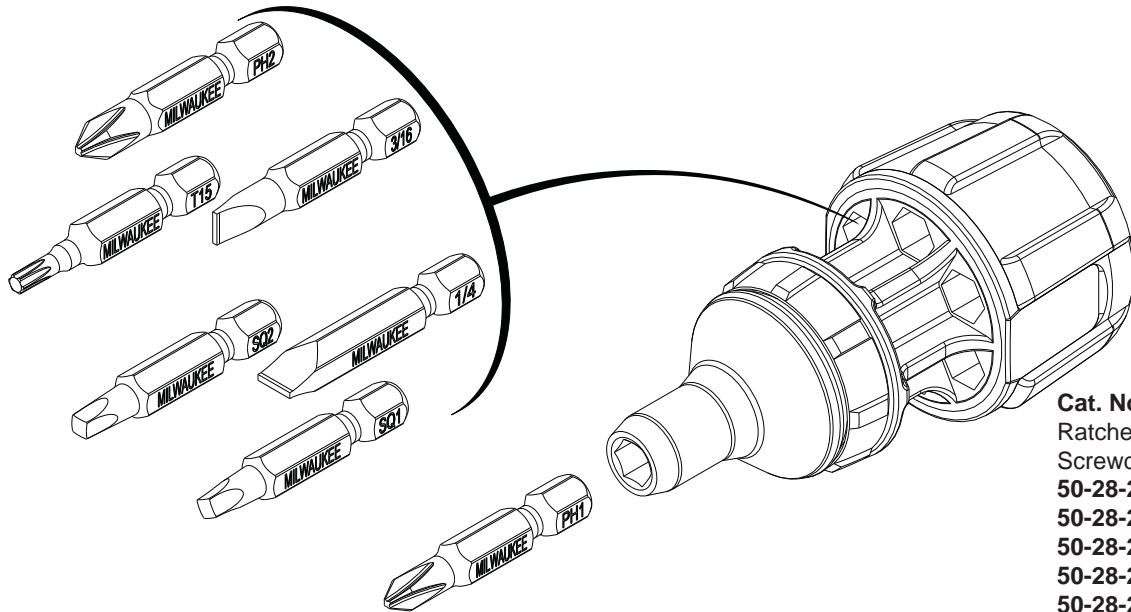
SPECIFY CATALOG NO. AND SERIAL NO. WHEN ORDERING PARTS		REVISED BULLETIN	DATE
RATCHET & NON-RATCHET COMPACT SCREWDRIVERS			Sept. 2014
CATALOG NO. 48-22-2120	Non-Ratcheting Compact Multi-Bit Screwdriver Set		
48-22-2320	Ratcheting Compact Multi-Bit Screwdriver Set		



Cat. No. 48-22-2120

Non-Ratcheting Compact Multi-Bit Screwdriver Set

- 50-28-2001** 1.5" Phillips PH1 Bit
- 50-28-2006** 1.5" Phillips PH2 Bit
- 50-28-2026** 1.5" Slotted 3/16" Bit
- 50-28-2031** 1.5" Slotted 1/4" Bit
- 50-28-2111** 1.5" Torx T-15 Bit
- 50-28-2076** 1.5" Square SQ1 Bit
- 50-28-2081** 1.5" Square SQ2 Bit



Cat. No. 48-22-2320

Ratcheting Compact Multi-Bit Screwdriver Set

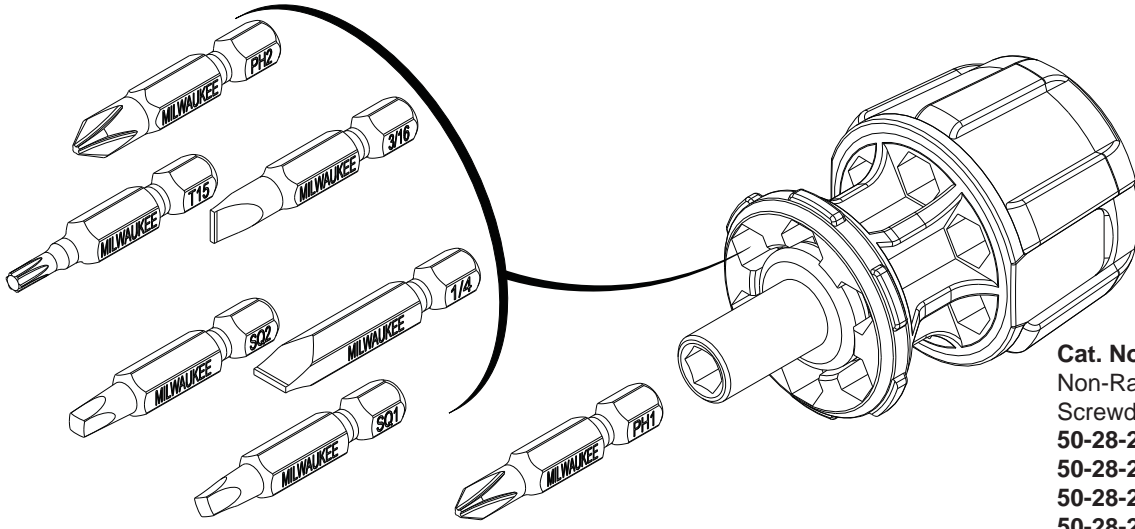
- 50-28-2001** 1.5" Phillips PH1 Bit
- 50-28-2006** 1.5" Phillips PH2 Bit
- 50-28-2026** 1.5" Slotted 3/16" Bit
- 50-28-2031** 1.5" Slotted 1/4" Bit
- 50-28-2111** 1.5" Torx T-15 Bit
- 50-28-2076** 1.5" Square SQ1 Bit
- 50-28-2081** 1.5" Square SQ2 Bit



SERVICE PARTS LIST

BULLETIN NO.
54-49-3145

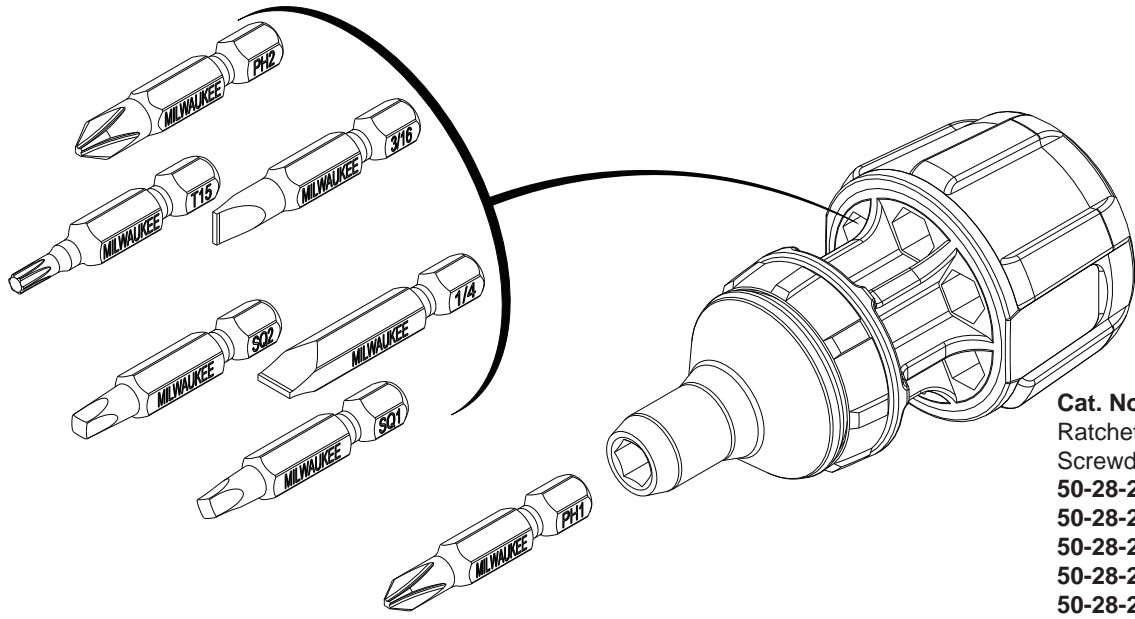
SPECIFY CATALOG NO. AND SERIAL NO. WHEN ORDERING PARTS		REVISED BULLETIN	DATE
RATCHET & NON-RATCHET COMPACT SCREWDRIVERS			Sept. 2014
CATALOG NO. 48-22-2120	Non-Ratcheting Compact Multi-Bit Screwdriver Set		
48-22-2320	Ratcheting Compact Multi-Bit Screwdriver Set		



Cat. No. 48-22-2120

Non-Ratcheting Compact Multi-Bit Screwdriver Set

- 50-28-2001** 1.5" Phillips PH1 Bit
- 50-28-2006** 1.5" Phillips PH2 Bit
- 50-28-2026** 1.5" Slotted 3/16" Bit
- 50-28-2031** 1.5" Slotted 1/4" Bit
- 50-28-2111** 1.5" Torx T-15 Bit
- 50-28-2076** 1.5" Square SQ1 Bit
- 50-28-2081** 1.5" Square SQ2 Bit



Cat. No. 48-22-2320

Ratcheting Compact Multi-Bit Screwdriver Set

- 50-28-2001** 1.5" Phillips PH1 Bit
- 50-28-2006** 1.5" Phillips PH2 Bit
- 50-28-2026** 1.5" Slotted 3/16" Bit
- 50-28-2031** 1.5" Slotted 1/4" Bit
- 50-28-2111** 1.5" Torx T-15 Bit
- 50-28-2076** 1.5" Square SQ1 Bit
- 50-28-2081** 1.5" Square SQ2 Bit