



SERVICE PARTS LIST

BULLETIN NO.
54-49-8030

SPECIFY CATALOG NO. AND SERIAL NO. WHEN ORDERING PARTS		REVISED BULLETIN	DATE
20" JOBSITE ORGANIZER			Dec. 2014
CATALOG NO.	48-22-8030	STARTING SERIAL	

EXAMPLE:

00	0
----	---

 Component Parts (Small #) Are Included
 When Ordering The Assembly (Large #).

Note:
 When installing a new Gasket Seal (3) it is recommended to start in the middle of the channel on the hinge side of the lid. Route the rope gasket along the channel with a neutral tension applied to the gasket, avoid stretching or bunching up the gasket in the channel. With your finger, press the gasket into the channel to seat it into position. The gasket is properly installed when the routing of the material fills the channel and there is approximately 1/4" overlap of the two ends. Complete the installation by butting the two ends of the gasket material together and compressing the slight excess of material together to create a tight joint. If there is no overlap at the end of the installation, remove the gasket and start over,

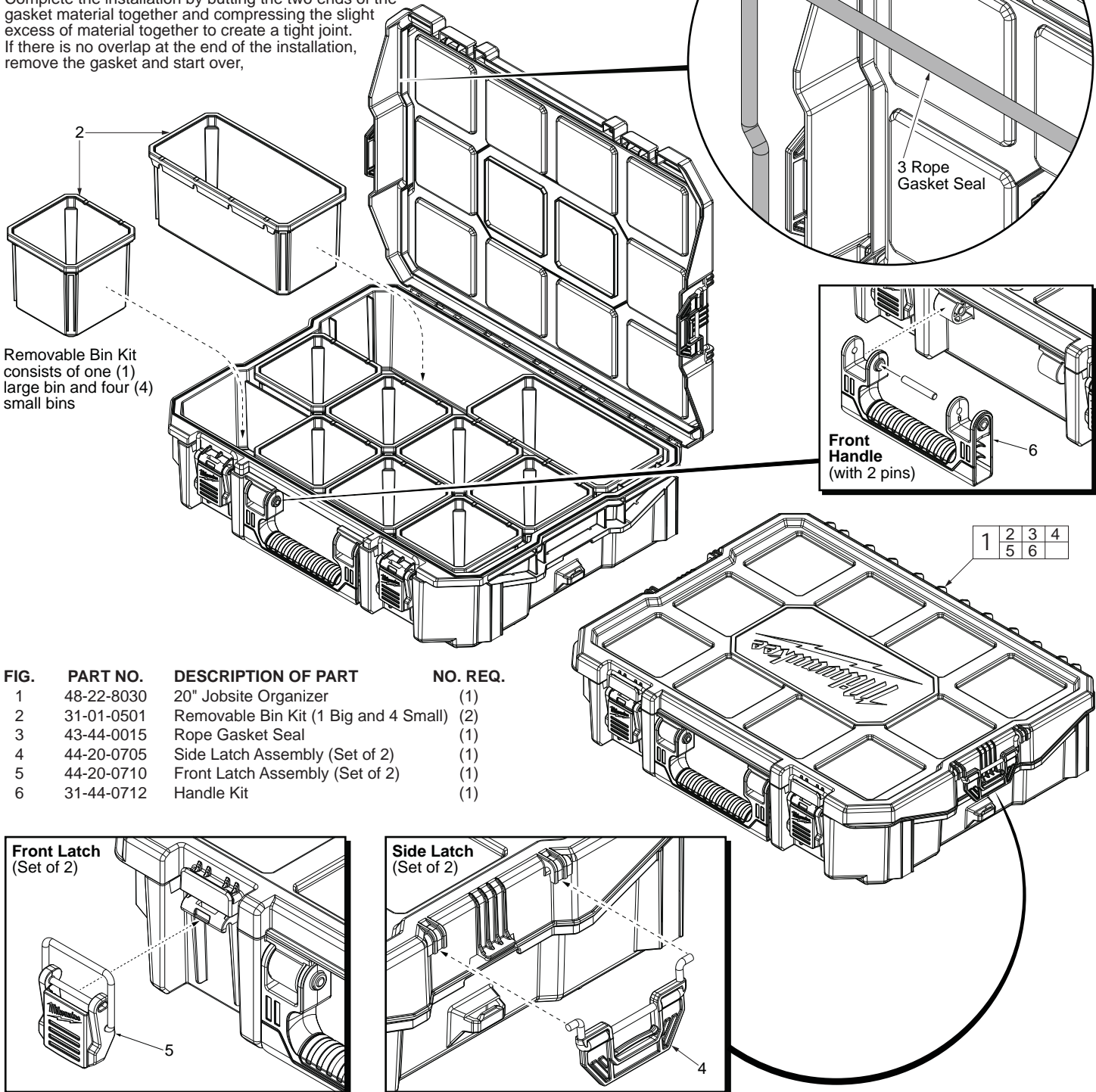
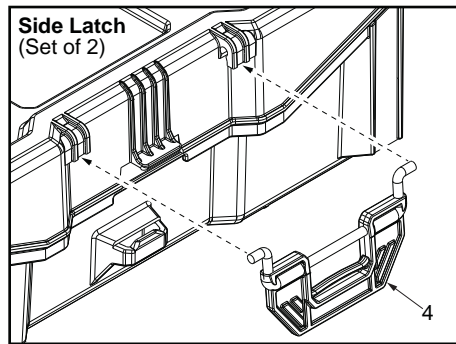
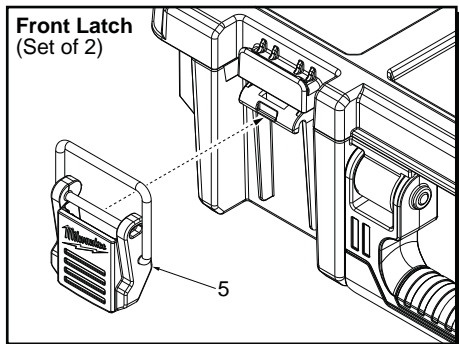


FIG.	PART NO.	DESCRIPTION OF PART	NO. REQ.
1	48-22-8030	20" Jobsite Organizer	(1)
2	31-01-0501	Removable Bin Kit (1 Big and 4 Small)	(2)
3	43-44-0015	Rope Gasket Seal	(1)
4	44-20-0705	Side Latch Assembly (Set of 2)	(1)
5	44-20-0710	Front Latch Assembly (Set of 2)	(1)
6	31-44-0712	Handle Kit	(1)





SERVICE PARTS LIST

BULLETIN NO.
54-49-8030

SPECIFY CATALOG NO. AND SERIAL NO. WHEN ORDERING PARTS		REVISED BULLETIN	DATE
20" JOBSITE ORGANIZER			Dec. 2014
CATALOG NO.	48-22-8030	STARTING SERIAL	

EXAMPLE:

00	0
----	---

 Component Parts (Small #) Are Included
 When Ordering The Assembly (Large #).

Note:
 When installing a new Gasket Seal (3) it is recommended to start in the middle of the channel on the hinge side of the lid. Route the rope gasket along the channel with a neutral tension applied to the gasket, avoid stretching or bunching up the gasket in the channel. With your finger, press the gasket into the channel to seat it into position. The gasket is properly installed when the routing of the material fills the channel and there is approximately 1/4" overlap of the two ends. Complete the installation by butting the two ends of the gasket material together and compressing the slight excess of material together to create a tight joint. If there is no overlap at the end of the installation, remove the gasket and start over,

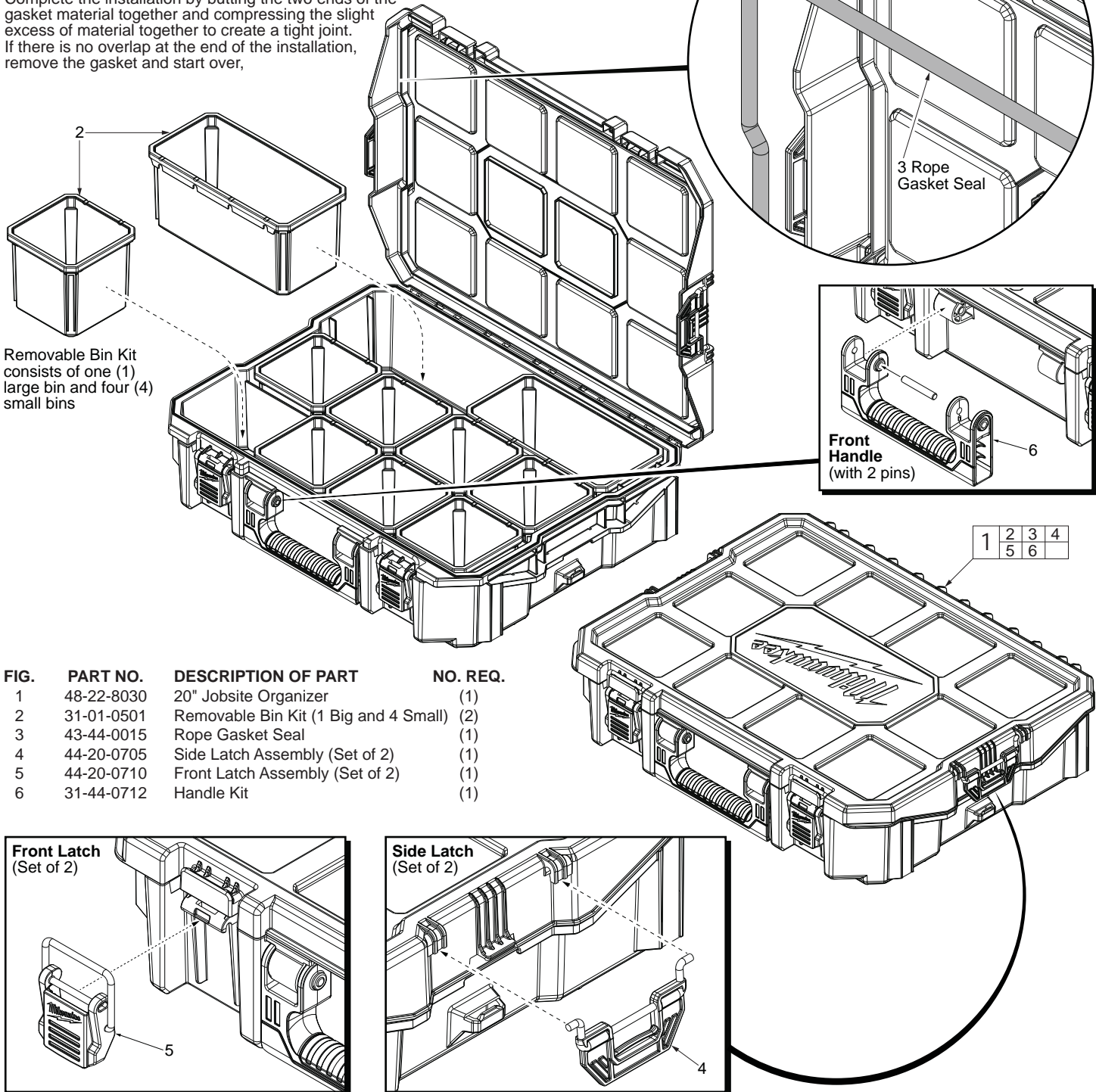


FIG.	PART NO.	DESCRIPTION OF PART	NO. REQ.
1	48-22-8030	20" Jobsite Organizer	(1)
2	31-01-0501	Removable Bin Kit (1 Big and 4 Small)	(2)
3	43-44-0015	Rope Gasket Seal	(1)
4	44-20-0705	Side Latch Assembly (Set of 2)	(1)
5	44-20-0710	Front Latch Assembly (Set of 2)	(1)
6	31-44-0712	Handle Kit	(1)

