



# SERVICE PARTS LIST

**BULLETIN NO.**  
54-49-8400

SPECIFY CATALOG NO. AND SERIAL NO. WHEN ORDERING PARTS		REVISED BULLETIN	DATE
<b>PACKOUT™ Rolling Tool Box Assembly</b>			Apr. 2018
CATALOG NO. <b>48-22-8426</b>	SERIAL NUMBER	WIRING INSTRUCTION	

48-22-8425	PACKOUT™ Large Tool Box Assembly	Page 3
48-22-8424	PACKOUT™ Medium Tool Box Assembly	Page 3
48-22-8430	PACKOUT™ Organizer Assembly	Page 4
48-22-8435	PACKOUT™ Compact Organizer Assembly	Page 4
48-22-8310	PACKOUT™ Small 10" Storage Tote	Page 5
48-22-8315	PACKOUT™ Medium 15" Storage Tote	Page 5
48-22-8320	PACKOUT™ Large 20" Storage Tote	Page 5

FIG.	PART NO.	DESCRIPTION OF PART	NO. REQ.
2	-----	Screw	(2)
3	43-62-8400	Retractable Handle Service Assembly	(1)
4	-----	Screw	(2)
5	43-62-8426	Side Handle Service Kit (Contains 2 Side Handles and 4 Pins)	(1)
6	-----	Pin	(4)
7	45-94-8426	Wheel Service Kit (Contains 2 Wheels and 2 Locking Hex Nuts)	(1)
8	-----	Locking Hex Nut	(2)
9	44-20-8400	Latch Service Assembly (Set of 2)	(1)
10	31-01-8400	Storage Tray	(1)
11	43-44-8400	Lid Gasket (Not Shown)	(1)
12	42-12-8426	Axle Service Kit (Contains 1 Axle and 2 Locking Hex Nuts)	(1)

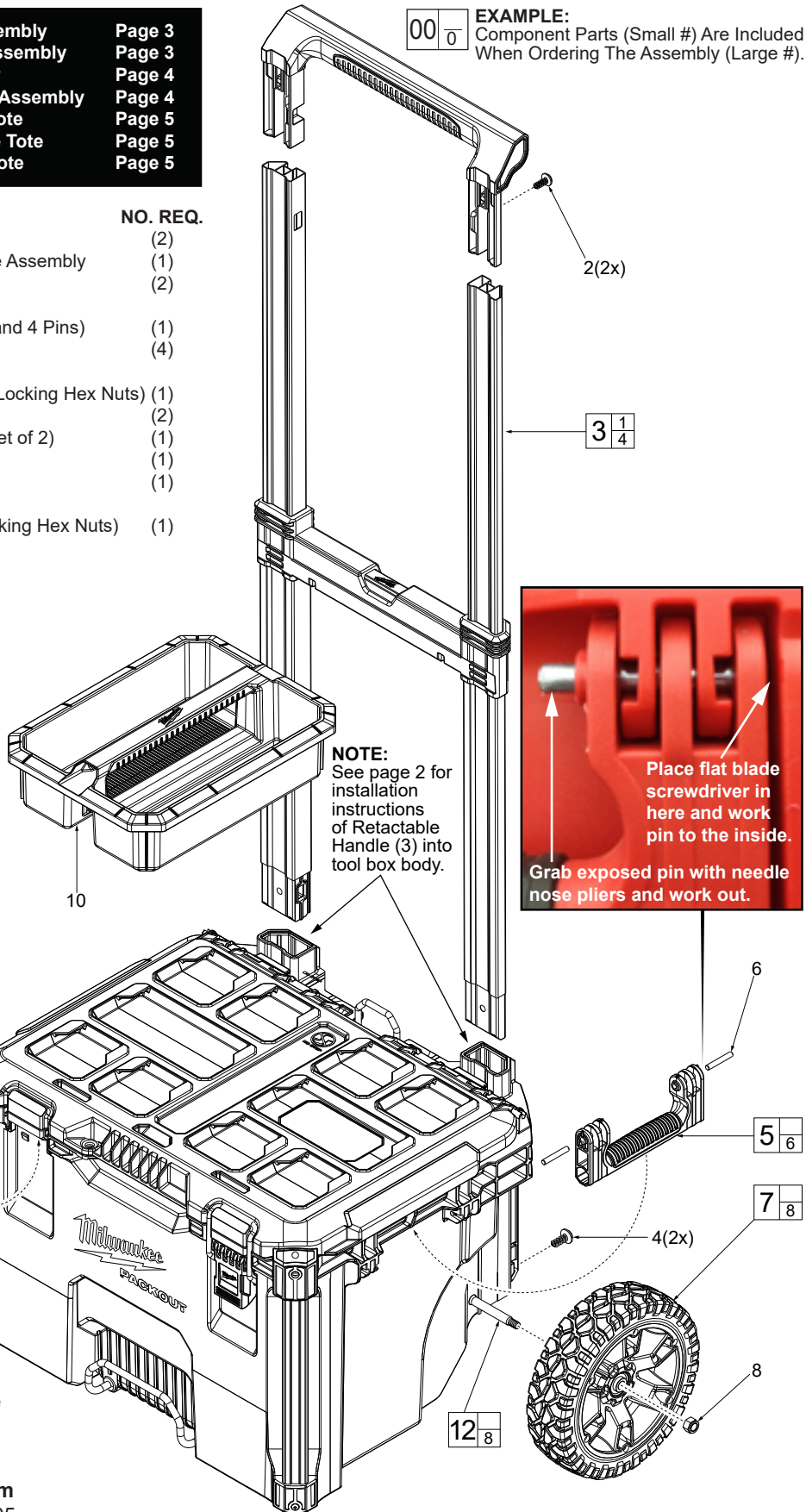
**EXAMPLE:**  
Component Parts (Small #) Are Included  
When Ordering The Assembly (Large #).

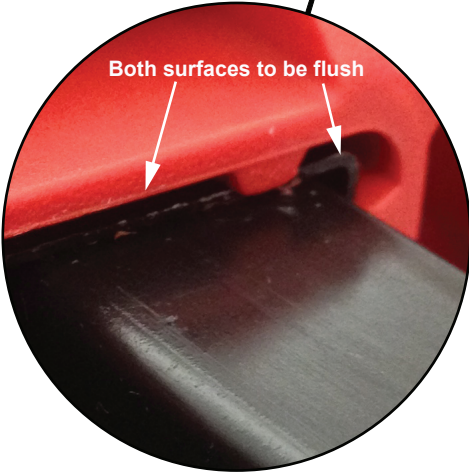
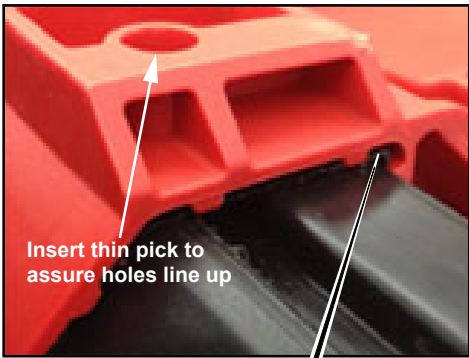


As an aid to removing a damaged Latch Assembly (9), use two large flat blade screwdrivers. Push blades between parts as shown. Twist both screwdrivers at same time to force the blades into opening and work the latch assembly over the two locking tabs.

To install a new latch assembly, position entire latch assembly over locking tabs with the two top lugs partially inserted in 'catch cavity' of main housing. Engage latch bar onto lid and gently press latch lever to slide assembly over two locking tabs and into place.

This removal and installation process will be the same where other service latches are offered in this system.

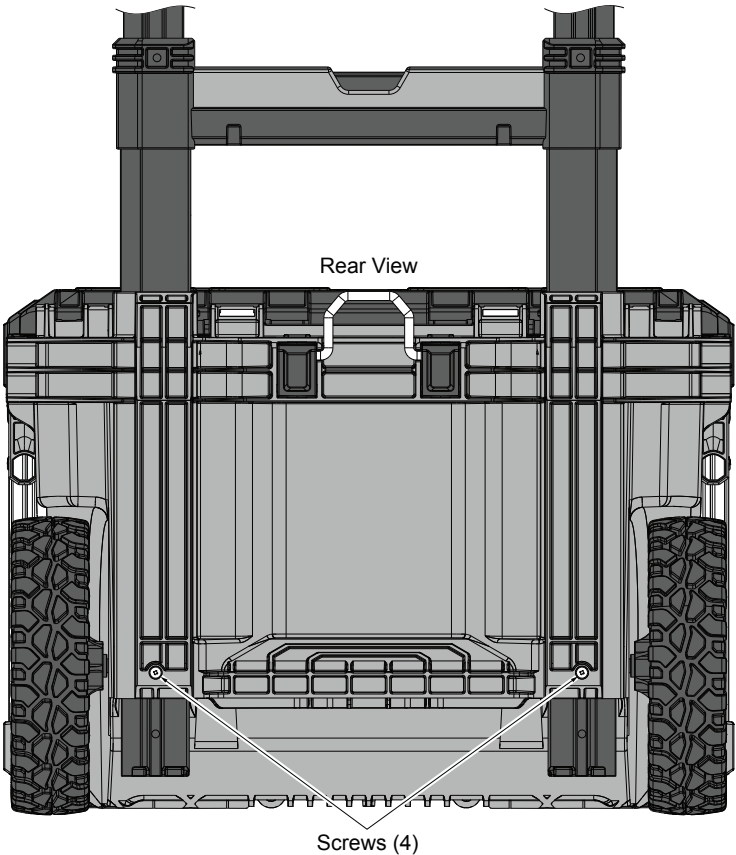




As an aid to installation, collapse the Retractable Handle Assembly (3).

Properly orient the assembly and insert both sides into tool box channels.

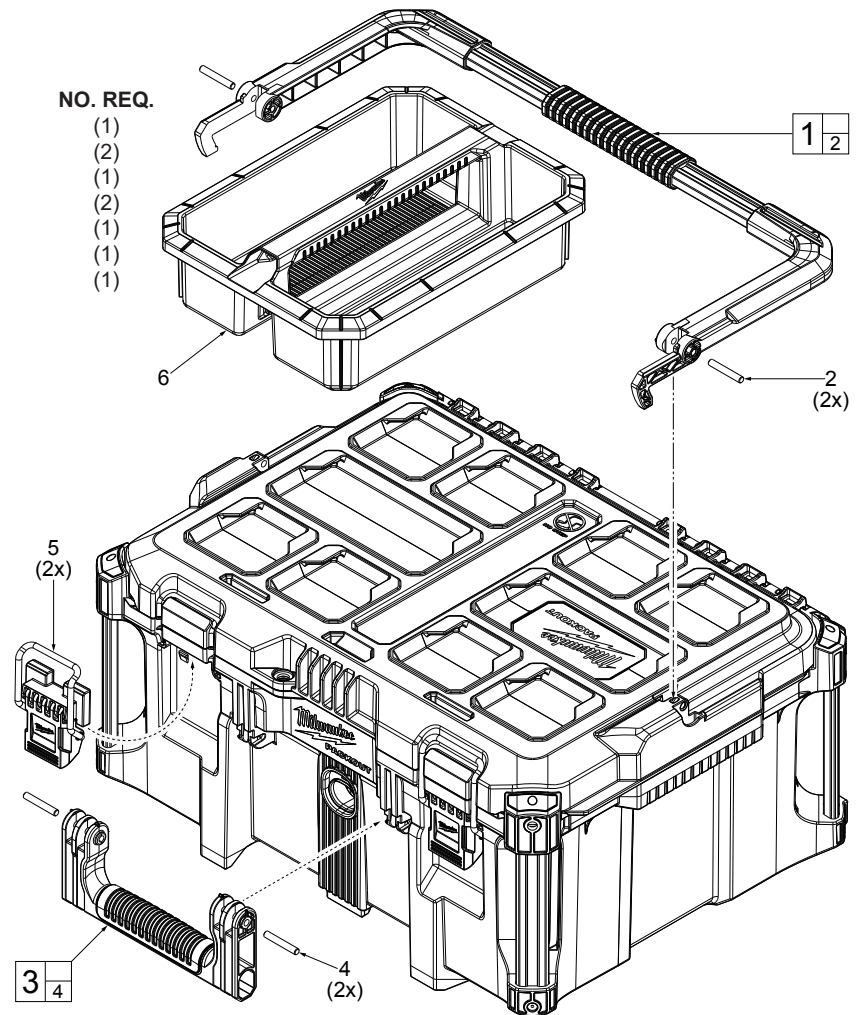
Holes of Retractable Handle Assembly (3) must line up with holes on the back of tool box body prior to securing with screws (4).



### 48-22-8425 PACKOUT™ Large Tool Box

FIG.	PART NO.	DESCRIPTION OF PART
1	43-62-8425	Top Handle Service Kit
2	-----	Pin
3	43-62-8424	Side Handle Service Kit
4	-----	Pin
5	44-20-8400	Latch Service Assembly (Set of 2)
6	31-01-8400	Storage Tray
7	43-44-8400	Lid Gasket (Not Shown)

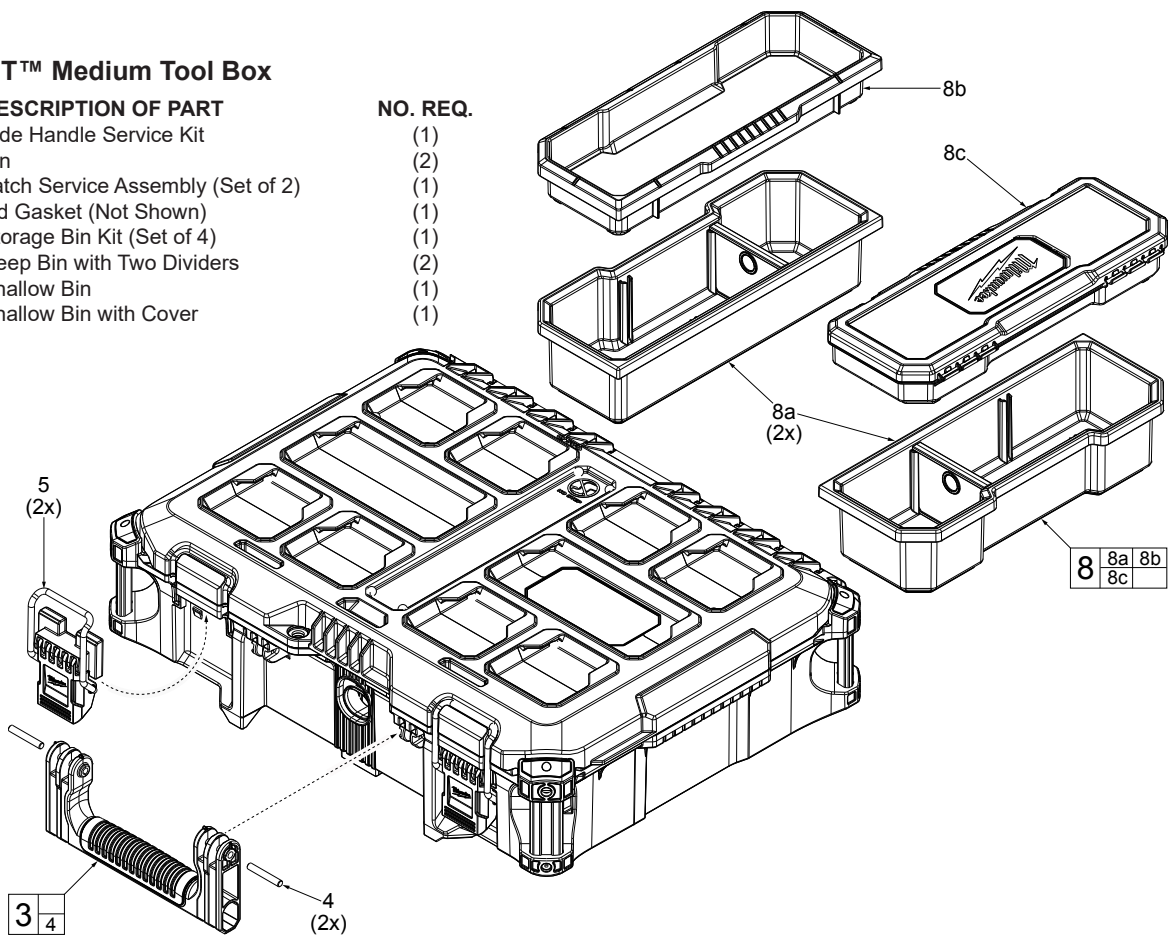
NO. REQ.
(1)
(2)
(1)
(2)
(1)
(1)
(1)



### 48-22-8424 PACKOUT™ Medium Tool Box

FIG.	PART NO.	DESCRIPTION OF PART
3	43-62-8424	Side Handle Service Kit
4	-----	Pin
5	44-20-8400	Latch Service Assembly (Set of 2)
7	43-44-8400	Lid Gasket (Not Shown)
8	31-01-8424	Storage Bin Kit (Set of 4)
8a	-----	Deep Bin with Two Dividers
8b	-----	Shallow Bin
8c	-----	Shallow Bin with Cover

NO. REQ.
(1)
(2)
(1)
(1)
(1)
(2)
(1)
(1)

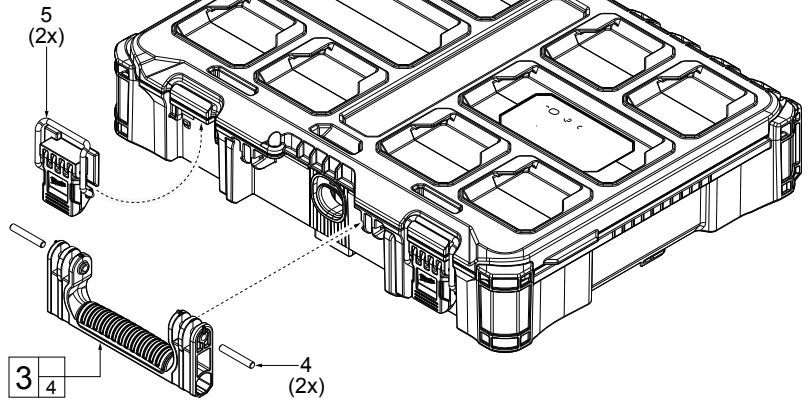
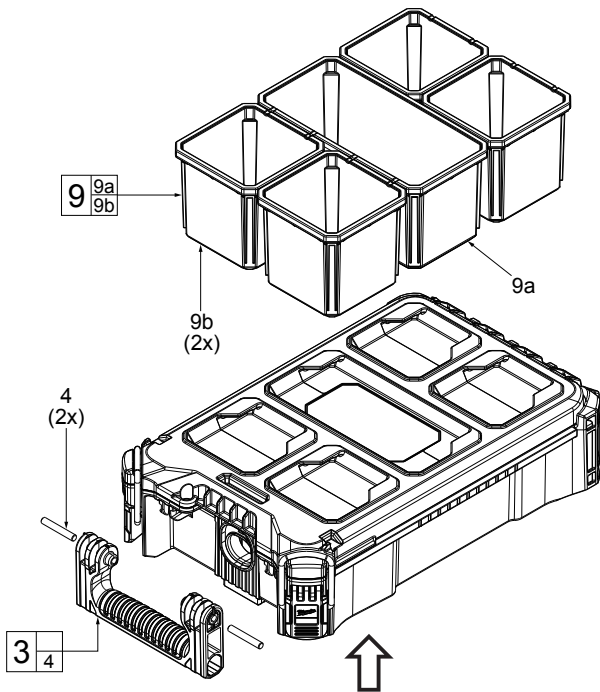
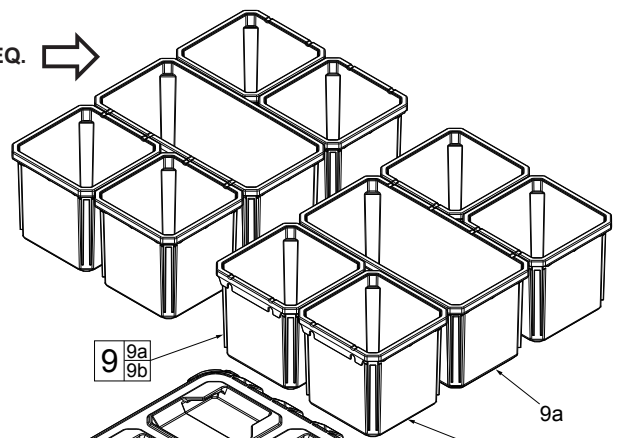


### 48-22-8430 PACKOUT™ Organizer

FIG.	PART NO.	DESCRIPTION OF PART
3	43-62-8430	Side Handle Service Kit
4	-----	Pin
5	44-20-8430	Latch Service Assembly (Set of 2)
7	43-44-8430	Lid Gasket (Not Shown)
9	31-01-0501	5 Bin Kit (Set of 1)
9a	-----	Large Bin
9b	-----	Small Bin

NO. REQ.

- (1)
- (2)
- (1)
- (1)
- (2)
- (1)
- (4)



### 48-22-8435 PACKOUT™ Compact Organizer

FIG.	PART NO.	DESCRIPTION OF PART
3	43-62-8435	Side Handle Service Kit
4	-----	Pin
7	43-44-8435	Lid Gasket (Not Shown)
9	31-01-0501	5 Bin Kit
9a	-----	Large Bin
9b	-----	Small Bin

NO. REQ.

- (1)
- (2)
- (1)
- (1)
- (1)
- (1)
- (4)





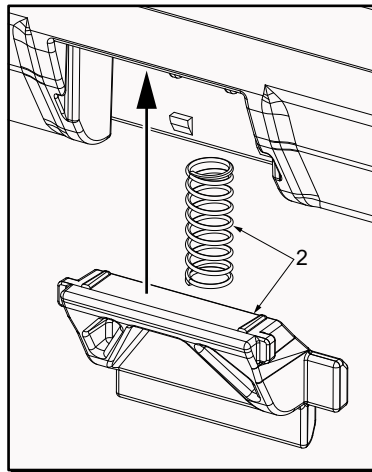
- 48-22-8310 10" PACKOUT™ (Small) Storage Tote
- 48-22-8315 15" PACKOUT™ (Medium) Storage Tote
- 48-22-8320 20" PACKOUT™ (Large) Storage Tote



FIG.	PART NO.	DESCRIPTION OF PART	NO. REQ.
1	45-56-8300	Shoulder Strap (For all three tote models)	(1)
2	44-20-8300	Lock Kit (For all three tote models)	(1)
	or		
3	44-20-0305	Lock Kit (For all three tote models)	(1)

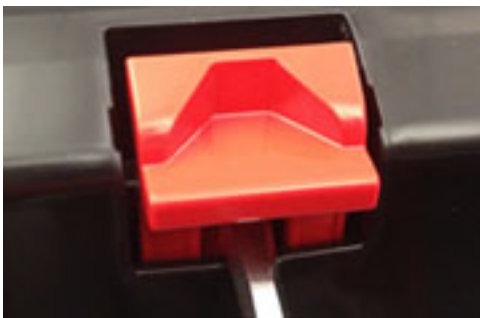


To remove a damaged lock system, flip tote upside down and approach tote from the bottom of base. Insert a large flat blade screwdriver in middle of locking carriage as shown. Lightly pry carriage upward out of base opening. Remove and discard old locking carriage and spring.

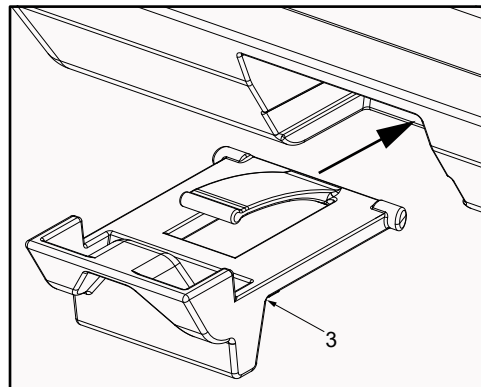


**No. 44-20-8300**  
Lock/Latch Kit  
For early production PACKOUT™  
Storage Totes

To install a Lock Kit (2), align spring as shown and guide the tabs of locking carriage in channels of tote base. Push locking carriage upward to snap into place.



To remove a damaged lock system, flip tote over on the side and approach tote from the bottom of base. Insert a large flat blade screwdriver in middle of locking carriage as shown. Lightly pry carriage upward out of base opening. Remove and discard old locking carriage.



**No. 44-20-0305**  
Lock/Latch  
For later production PACKOUT™  
Storage Totes

To install a new Latch (3), guide the tabs of locking carriage in channels of tote base. Push locking carriage forward to snap into place.





# SERVICE PARTS LIST

**BULLETIN NO.**  
54-49-8400

SPECIFY CATALOG NO. AND SERIAL NO. WHEN ORDERING PARTS		REVISED BULLETIN	DATE
<b>PACKOUT™ Rolling Tool Box Assembly</b>			Apr. 2018
CATALOG NO. <b>48-22-8426</b>	SERIAL NUMBER	WIRING INSTRUCTION	

48-22-8425	PACKOUT™ Large Tool Box Assembly	Page 3
48-22-8424	PACKOUT™ Medium Tool Box Assembly	Page 3
48-22-8430	PACKOUT™ Organizer Assembly	Page 4
48-22-8435	PACKOUT™ Compact Organizer Assembly	Page 4
48-22-8310	PACKOUT™ Small 10" Storage Tote	Page 5
48-22-8315	PACKOUT™ Medium 15" Storage Tote	Page 5
48-22-8320	PACKOUT™ Large 20" Storage Tote	Page 5

FIG.	PART NO.	DESCRIPTION OF PART	NO. REQ.
2	-----	Screw	(2)
3	43-62-8400	Retractable Handle Service Assembly	(1)
4	-----	Screw	(2)
5	43-62-8426	Side Handle Service Kit (Contains 2 Side Handles and 4 Pins)	(1)
6	-----	Pin	(4)
7	45-94-8426	Wheel Service Kit (Contains 2 Wheels and 2 Locking Hex Nuts)	(1)
8	-----	Locking Hex Nut	(2)
9	44-20-8400	Latch Service Assembly (Set of 2)	(1)
10	31-01-8400	Storage Tray	(1)
11	43-44-8400	Lid Gasket (Not Shown)	(1)
12	42-12-8426	Axle Service Kit (Contains 1 Axle and 2 Locking Hex Nuts)	(1)

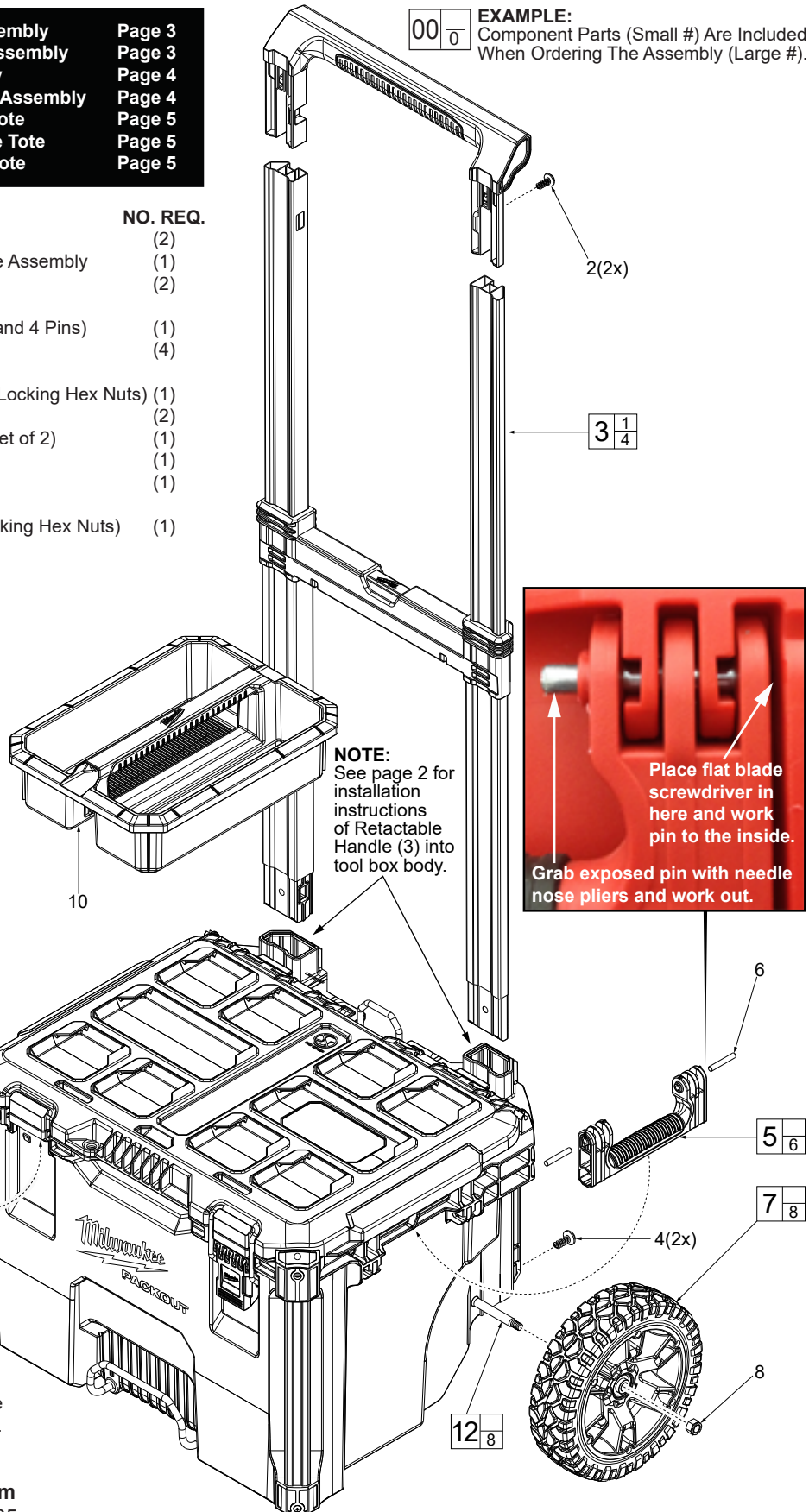
**EXAMPLE:**  
Component Parts (Small #) Are Included  
When Ordering The Assembly (Large #).

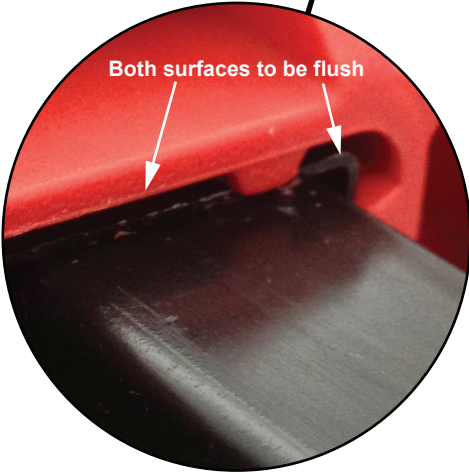
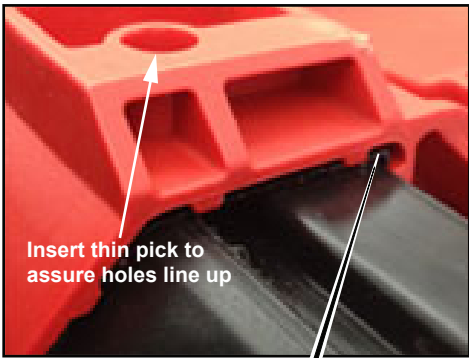


As an aid to removing a damaged Latch Assembly (9), use two large flat blade screwdrivers. Push blades between parts as shown. Twist both screwdrivers at same time to force the blades into opening and work the latch assembly over the two locking tabs.

To install a new latch assembly, position entire latch assembly over locking tabs with the two top lugs partially inserted in 'catch cavity' of main housing. Engage latch bar onto lid and gently press latch lever to slide assembly over two locking tabs and into place.

This removal and installation process will be the same where other service latches are offered in this system.

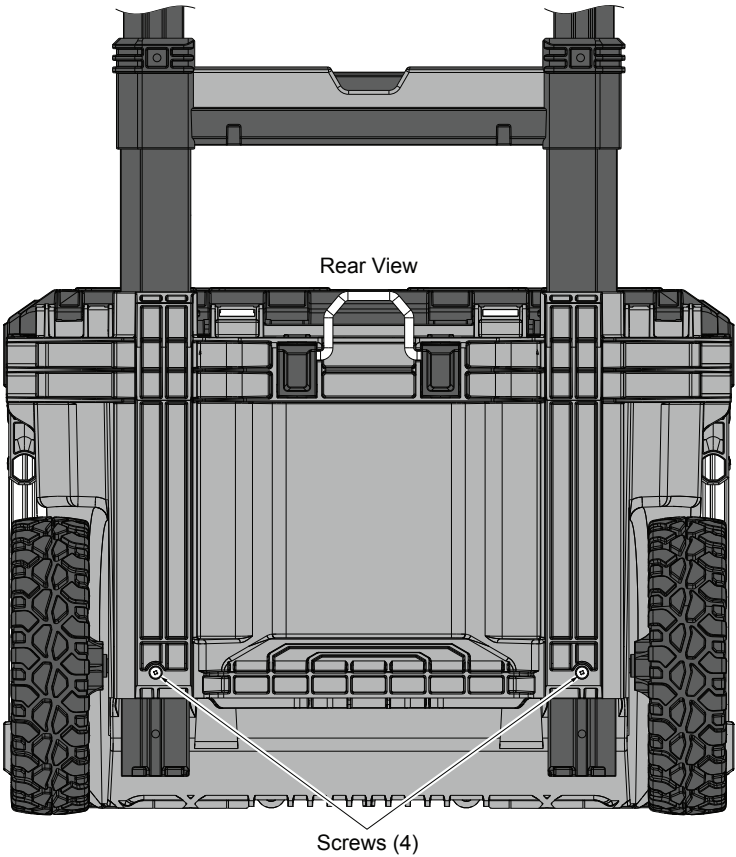




As an aid to installation, collapse the Retractable Handle Assembly (3).

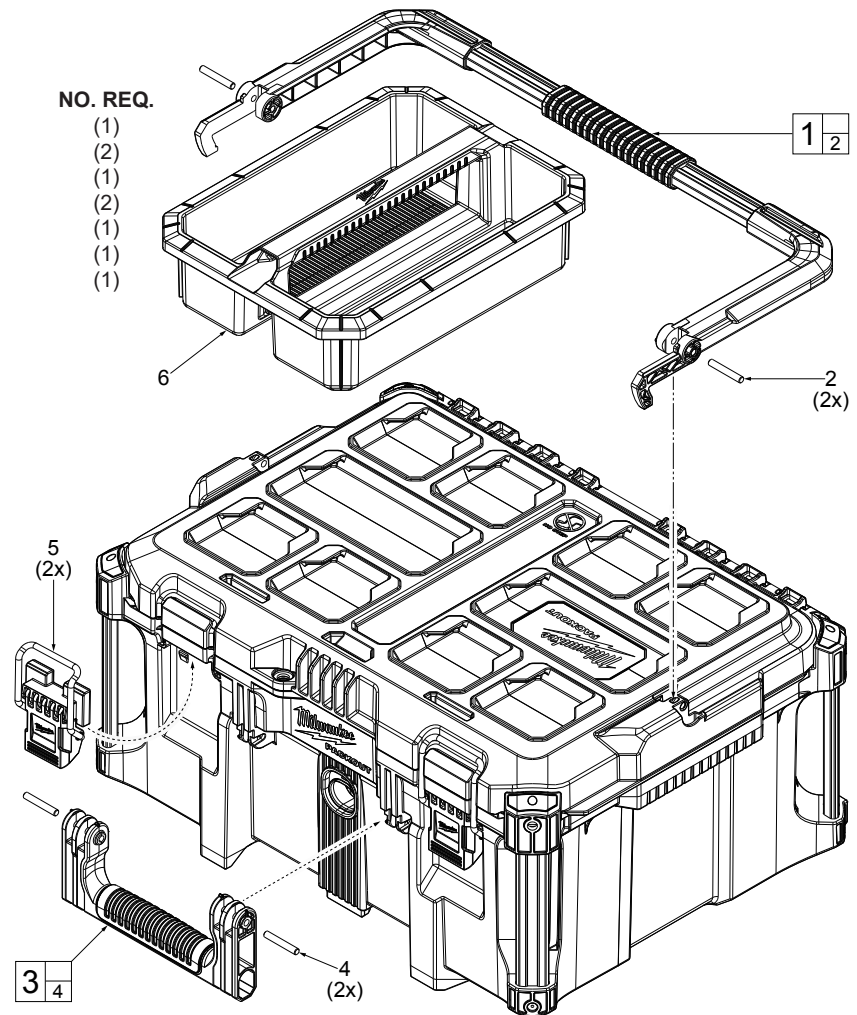
Properly orient the assembly and insert both sides into tool box channels.

Holes of Retractable Handle Assembly (3) must line up with holes on the back of tool box body prior to securing with screws (4).



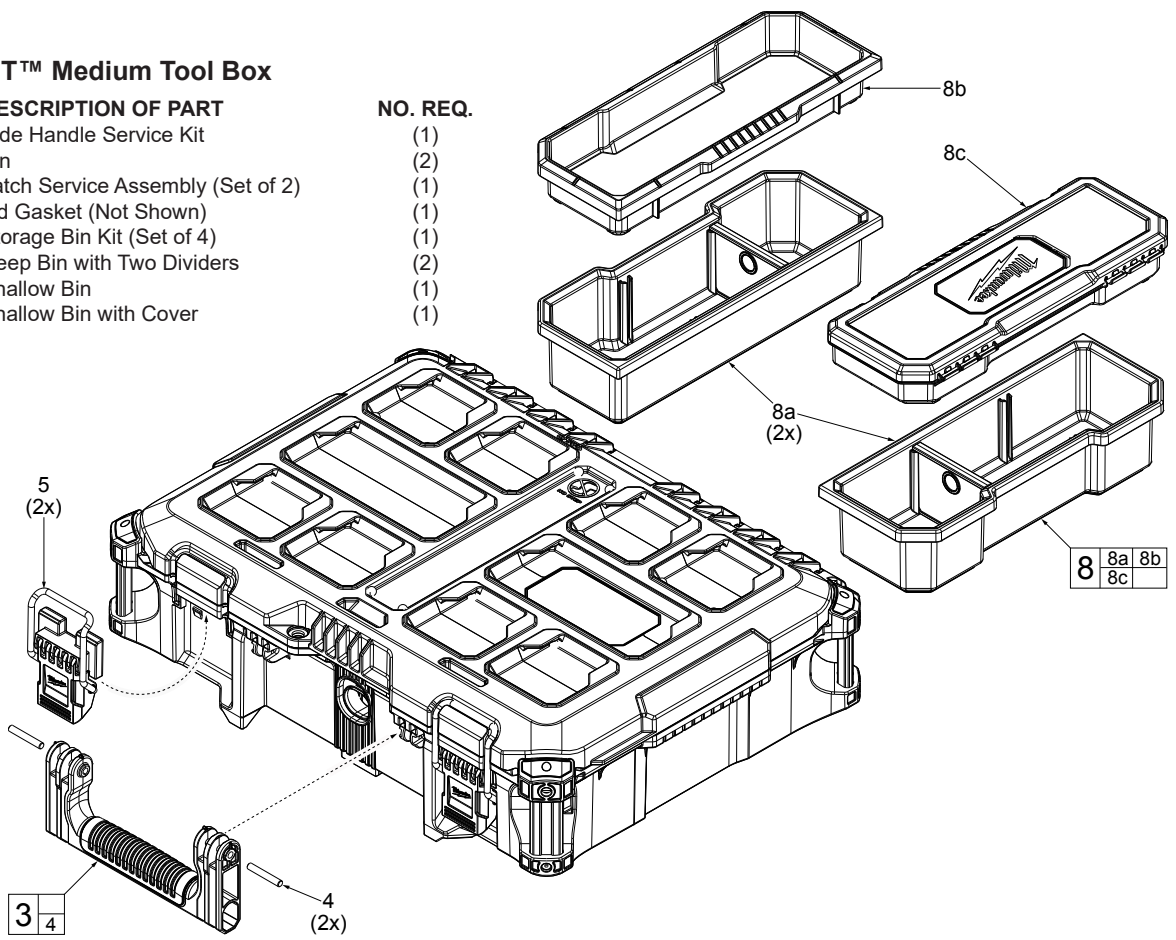
### 48-22-8425 PACKOUT™ Large Tool Box

FIG.	PART NO.	DESCRIPTION OF PART
1	43-62-8425	Top Handle Service Kit
2	-----	Pin
3	43-62-8424	Side Handle Service Kit
4	-----	Pin
5	44-20-8400	Latch Service Assembly (Set of 2)
6	31-01-8400	Storage Tray
7	43-44-8400	Lid Gasket (Not Shown)



### 48-22-8424 PACKOUT™ Medium Tool Box

FIG.	PART NO.	DESCRIPTION OF PART
3	43-62-8424	Side Handle Service Kit
4	-----	Pin
5	44-20-8400	Latch Service Assembly (Set of 2)
7	43-44-8400	Lid Gasket (Not Shown)
8	31-01-8424	Storage Bin Kit (Set of 4)
8a	-----	Deep Bin with Two Dividers
8b	-----	Shallow Bin
8c	-----	Shallow Bin with Cover



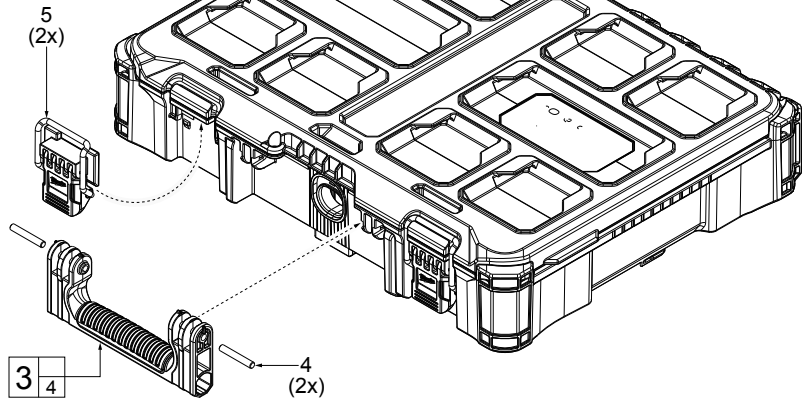
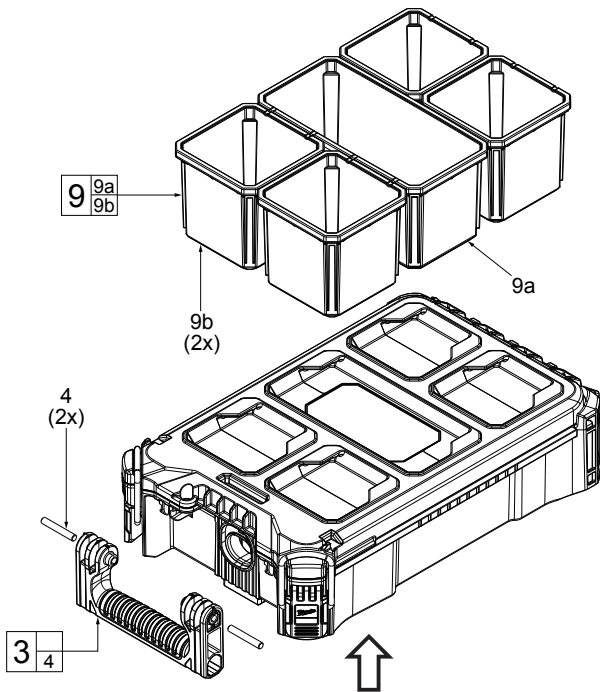
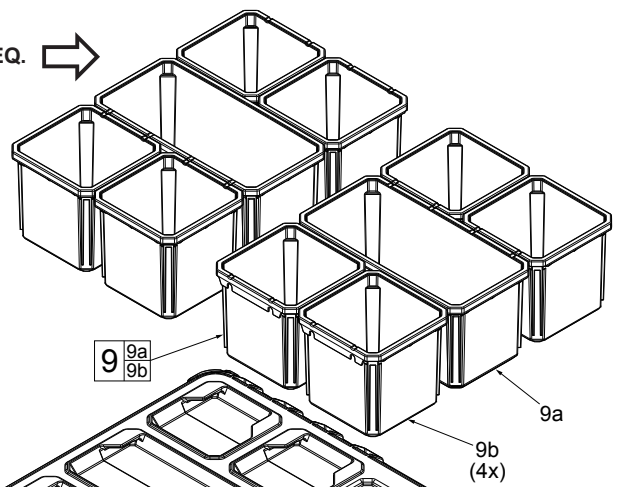


### 48-22-8430 PACKOUT™ Organizer

FIG.	PART NO.	DESCRIPTION OF PART
3	43-62-8430	Side Handle Service Kit
4	-----	Pin
5	44-20-8430	Latch Service Assembly (Set of 2)
7	43-44-8430	Lid Gasket (Not Shown)
9	31-01-0501	5 Bin Kit (Set of 1)
9a	-----	Large Bin
9b	-----	Small Bin

NO. REQ.

- (1)
- (2)
- (1)
- (1)
- (2)
- (1)
- (4)

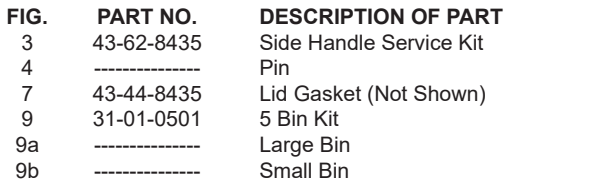


### 48-22-8435 PACKOUT™ Compact Organizer

FIG.	PART NO.	DESCRIPTION OF PART
3	43-62-8435	Side Handle Service Kit
4	-----	Pin
7	43-44-8435	Lid Gasket (Not Shown)
9	31-01-0501	5 Bin Kit
9a	-----	Large Bin
9b	-----	Small Bin

NO. REQ.

- (1)
- (2)
- (1)
- (1)
- (1)
- (1)
- (4)





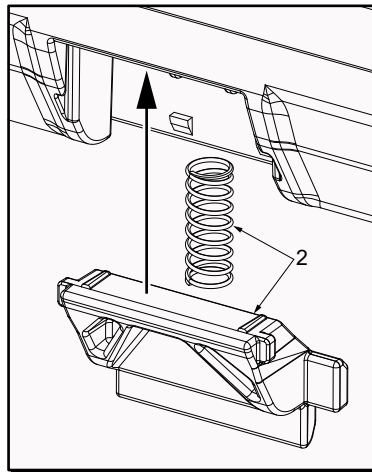
- 48-22-8310 10" PACKOUT™ (Small) Storage Tote
- 48-22-8315 15" PACKOUT™ (Medium) Storage Tote
- 48-22-8320 20" PACKOUT™ (Large) Storage Tote



FIG.	PART NO.	DESCRIPTION OF PART	NO. REQ.
1	45-56-8300	Shoulder Strap (For all three tote models)	(1)
2	44-20-8300	Lock Kit (For all three tote models)	(1)
	or		
3	44-20-0305	Lock Kit (For all three tote models)	(1)

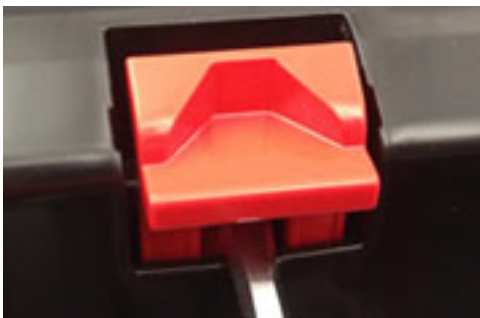


To remove a damaged lock system, flip tote upside down and approach tote from the bottom of base. Insert a large flat blade screwdriver in middle of locking carriage as shown. Lightly pry carriage upward out of base opening. Remove and discard old locking carriage and spring.

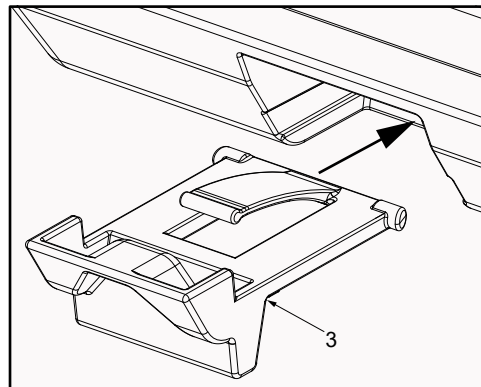


**No. 44-20-8300**  
Lock/Latch Kit  
For early production PACKOUT™  
Storage Totes

To install a Lock Kit (2), align spring as shown and guide the tabs of locking carriage in channels of tote base. Push locking carriage upward to snap into place.



To remove a damaged lock system, flip tote over on the side and approach tote from the bottom of base. Insert a large flat blade screwdriver in middle of locking carriage as shown. Lightly pry carriage upward out of base opening. Remove and discard old locking carriage.



**No. 44-20-0305**  
Lock/Latch  
For later production PACKOUT™  
Storage Totes

To install a new Latch (3), guide the tabs of locking carriage in channels of tote base. Push locking carriage forward to snap into place.

