

H47T

6" Aperture, New Construction, Non-IC, Slope Ceiling
120V Line Voltage

Designed for sloped ceiling installations for ceilings from 2/12 to 6/12 pitch. The socket aiming mechanism allows the lamp to be aimed straight down in accordance with of ceiling pitch (2/12 to 6/12). For use in non-insulated ceilings. If ceiling insulation is present, it must be kept 3 inches from all sides of housing.



FEATURES

HOUSING

Telescoping housing for ceiling construction down to 2"x 8". With deeper ceilings the housing provides sharper cutoff.

JUNCTION BOX

- Seven 1/2" trade size conduit knockouts with true pry-out slots are positioned to accommodate straight conduit runs.
- Four NM cable pryouts included.

"QUICK CONNECT" CONNECTORS

Three quick connect wiring connectors included.

Got NAIL!™ Pass-N-Thru™ BAR HANGERS

- Pre-installed nail easily installs in regular lumber, engineered lumber and laminated beams.
- Safety and guidance system prevents snagging, ensures smooth straight nail penetration and allows bar hangers to be easily removed if necessary.
- Automatic levelling flange aligns the housing and lets you hold the housing in place with one hand while driving nails.
- Housing can be positioned at any point within 24" joist span.
- Pass-N-Thru™ feature allows bar hangers to be shortened without removing from plaster frame.
- Score lines allow "tool-less" shortening.
- Integral T-bar clip snaps onto T-bars - no additional clips required.

SOCKET

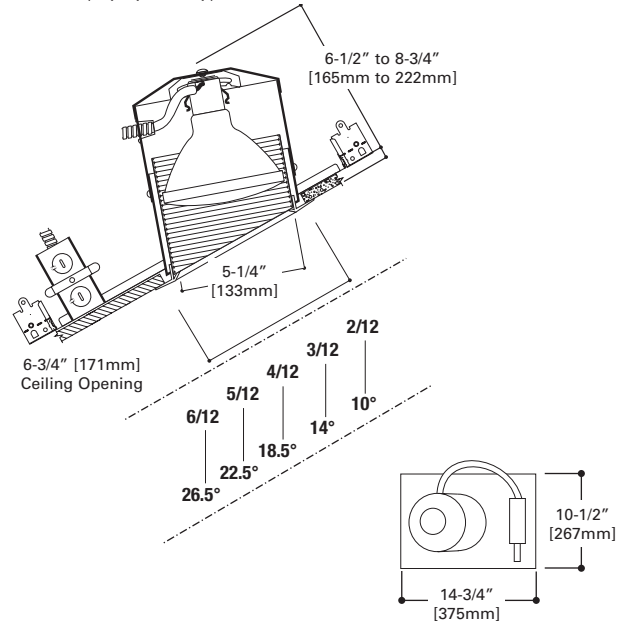
- Porcelain socket with nickel plated brass screw shell.
- Exclusive socket aiming mechanism swivels and rotates to properly align lamp.
- Slope indicator provides quick and consistent lamp settings (factory set for 3/12 slope). Shipping insert protects socket from overspray.

INTEGRAL THERMAL PROTECTOR

Thermal protector guards against misuse of insulation materials.

LABELS

- UL/cUL Listed 1598 Luminaire
- UL/cUL Listed for Damp Location
- UL/cUL Listed for Wet Location, covered ceiling
- UL/cUL Listed for Feed Through
- IP Rated (Improper Lamp)

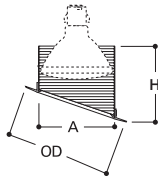


498

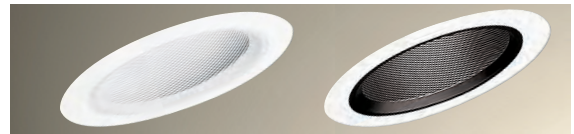
Baffle

- One piece seamless baffle
- Baffle ridges are parallel to floor plane

H47ICT	90W PAR38
H47ICAT	
H47T	



Height: 5-1/2" [140mm]
Aperture: 5-1/4" [133mm]
OD: 7-7/8" [200mm]



498W
White Trim with White Baffle

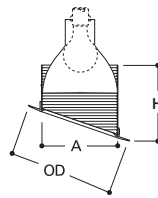
498P
White Trim with Black Baffle

496

Baffle

- One piece seamless baffle
- Baffle ridges are parallel to floor plane
- Clear specular reflector

H47ICT	75W A19, 100W R30, 85W BR30, 75W PAR30L
H47ICAT	
H47T	100W A19, 150W A21



Height: 5-1/2" [140mm]
Aperture: 5-1/4" [133mm]
OD: 7-7/8" [200mm]



496W
White Trim with White Baffle and Reflector

496P
White Trim with Black Baffle and Reflector