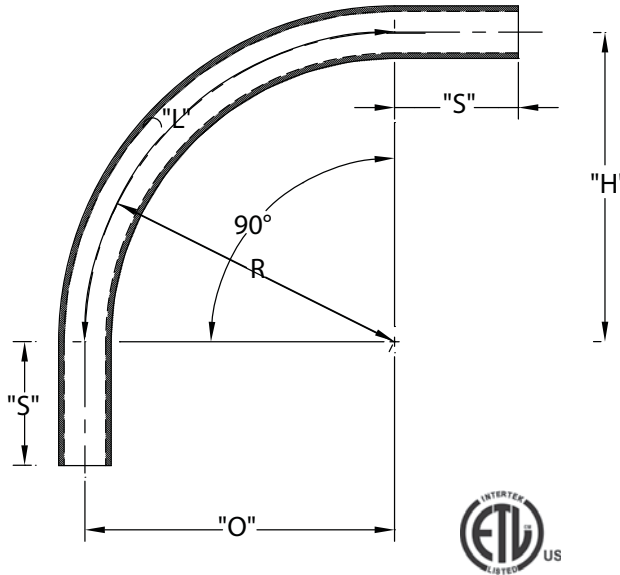


## Schedule 40 90° Elbow Special Radius - Plain End



### Schedule 40 90° Elbow 18" Radius Plain End

Part Number	Trade Size	"R"	"O"	"H"	"S" MIN	"L"
5133846	1	18	18	18	1.875	28.250
5133923	1-1/4	18	18	18	2.000	28.250
5133839	1-1/2	18	18	18	2.000	28.250
5133844	2	18	18	18	2.000	28.250
5133856	2-1/2	18	18	18	3.000	28.250
5133858	3	18	18	18	3.125	28.250

Dimensions are nominal

### Schedule 40 90° Elbow 24" Radius Plain End

Part Number	Trade Size	"R"	"O"	"H"	"S" MIN	"L"
5133934	3/4	24	24	24	1.500	37.750
5133859	1	24	24	24	1.875	37.750
5133883	1-1/4	24	24	24	2.000	37.750
5133873	1-1/2	24	24	24	2.000	37.750
5133836	2	24	24	24	2.000	37.750
5133847	2-1/2	24	24	24	3.000	37.750
5133837	3	24	24	24	3.125	37.750
5133893	3-1/2	24	24	24	3.250	37.750
5133822	4	24	24	24	3.375	37.750

Dimensions are nominal

### Schedule 40 90° Elbow 30" Radius Plain End

Part Number	Trade Size	"R"	"O"	"H"	"S" MIN	"L"
5134147	3/4	30	30	30	1.500	47.125
5136340	1	30	30	30	1.875	47.125
5133878	1-1/4	30	30	30	2.000	47.125
5133921	1-1/2	30	30	30	2.000	47.125
5133920	2	30	30	30	2.000	47.125
5133981	2-1/2	30	30	30	3.000	47.125
5133867	3	30	30	30	3.125	47.125
5133948	3-1/2	30	30	30	3.250	47.125
5133850	4	30	30	30	3.375	47.125
5133872	5	30	30	30	3.625	47.125

Dimensions are nominal

### Schedule 40 90° Elbow 36" Radius Plain End

Part Number	Trade Size	"R"	"O"	"H"	"S" MIN	"L"
5133949	3/4	36	36	36	1.500	56.500
5133852	1	36	36	36	1.875	56.500
5133884	1-1/4	36	36	36	2.000	56.500
5133866	1-1/2	36	36	36	2.000	56.500
5133848	2	36	36	36	2.000	56.500
5133857	2-1/2	36	36	36	3.000	56.500
5133820	3	36	36	36	3.125	56.500
5133818	3-1/2	36	36	36	3.250	56.500
5133821	4	36	36	36	3.375	56.500
5133841	5	36	36	36	3.625	56.500
5133877	6	36	36	36	3.750	56.500

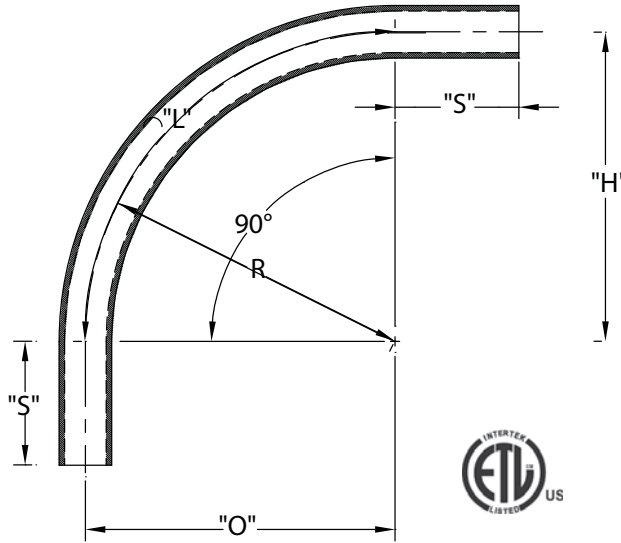
Dimensions are nominal

### Schedule 40 90° Elbow 48" Radius Plain End

Part Number	Trade Size	"R"	"O"	"H"	"S" MIN	"L"
5133864	1	48	48	48	1.875	75.375
5133871	1-1/4	48	48	48	2.000	75.375
5133865	1-1/2	48	48	48	2.000	75.375
5133876	2	48	48	48	2.000	75.375
5133849	2-1/2	48	48	48	3.000	75.375
5133817	3	48	48	48	3.125	75.375
5133892	3-1/2	48	48	48	3.250	75.375
5133843	4	48	48	48	3.375	75.375
5133842	5	48	48	48	3.625	75.375
5133816	6	48	48	48	3.750	75.375
5133993D	8	48	48	48	6.625	75.375

Dimensions are nominal

## Schedule 40 90° Elbow Special Radius - Plain End



### Schedule 40 90° Elbow 60" Radius Plain End

Part Number	Trade Size	"R"	"O"	"H"	"S" MIN	"L"
5133786	2	60	60	60	2.000	94.250
5134046	2-1/2	60	60	60	3.000	94.250
5133819	3	60	60	60	3.125	94.250
5133925	3-1/2	60	60	60	3.250	94.250
5133854	4	60	60	60	3.375	94.250
5133885	5	60	60	60	3.625	94.250
5133886	6	60	60	60	3.750	94.250

Dimensions are nominal

### Schedule 40 90° Elbow 72" Radius Plain End

Part Number	Trade Size	"R"	"O"	"H"	"S" MIN	"L"
5133860	2	72	72	72	2.000	113.125
5134155	3	72	72	72	3.125	113.125
5133787	4	72	72	72	3.375	113.125
5134024	5	72	72	72	3.625	113.125
5133928	6	72	72	72	3.750	113.125

Dimensions are nominal

### Schedule 40 90° Elbow 84" Radius Plain End

Part Number	Trade Size	"R"	"O"	"H"	"S" MIN	"L"
5134049	6	84	84	84	3.75	132

Dimensions are nominal

### Schedule 40 90° Elbow 96" Radius Plain End

Part Number	Trade Size	"R"	"O"	"H"	"S" MIN	"L"
5134025	5	96	96	96	3.625	150.875
5134015	6	96	96	96	3.750	150.875

Dimensions are nominal

### Schedule 40 90° Elbow 120" Radius Plain End

Part Number	Trade Size	"R"	"O"	"H"	"S" MIN	"L"
5133927	4	120	120	120	3.375	188.500
5134007	6	120	120	120	3.750	188.500

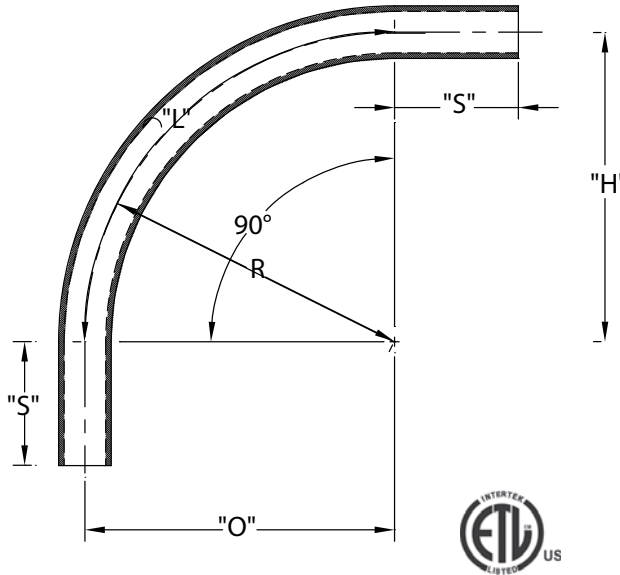
Dimensions are nominal

### Schedule 40 90° Elbow 150" Radius Plain End

Part Number	Trade Size	"R"	"O"	"H"	"S" MIN	"L"
5133992	4	150	150	150	3.375	235.625
5134059	5	150	150	150	3.625	235.625

Dimensions are nominal

## Schedule 40 90° Elbow Special Radius - Plain End



### Schedule 40 90° Elbow 18" Radius Plain End

Part Number	Trade Size	"R"	"O"	"H"	"S" MIN	"L"
5133846	1	18	18	18	1.875	28.250
5133923	1-1/4	18	18	18	2.000	28.250
5133839	1-1/2	18	18	18	2.000	28.250
5133844	2	18	18	18	2.000	28.250
5133856	2-1/2	18	18	18	3.000	28.250
5133858	3	18	18	18	3.125	28.250

Dimensions are nominal

### Schedule 40 90° Elbow 24" Radius Plain End

Part Number	Trade Size	"R"	"O"	"H"	"S" MIN	"L"
5133934	3/4	24	24	24	1.500	37.750
5133859	1	24	24	24	1.875	37.750
5133883	1-1/4	24	24	24	2.000	37.750
5133873	1-1/2	24	24	24	2.000	37.750
5133836	2	24	24	24	2.000	37.750
5133847	2-1/2	24	24	24	3.000	37.750
5133837	3	24	24	24	3.125	37.750
5133893	3-1/2	24	24	24	3.250	37.750
5133822	4	24	24	24	3.375	37.750

Dimensions are nominal

### Schedule 40 90° Elbow 30" Radius Plain End

Part Number	Trade Size	"R"	"O"	"H"	"S" MIN	"L"
5134147	3/4	30	30	30	1.500	47.125
5136340	1	30	30	30	1.875	47.125
5133878	1-1/4	30	30	30	2.000	47.125
5133921	1-1/2	30	30	30	2.000	47.125
5133920	2	30	30	30	2.000	47.125
5133981	2-1/2	30	30	30	3.000	47.125
5133867	3	30	30	30	3.125	47.125
5133948	3-1/2	30	30	30	3.250	47.125
5133850	4	30	30	30	3.375	47.125
5133872	5	30	30	30	3.625	47.125

Dimensions are nominal

### Schedule 40 90° Elbow 36" Radius Plain End

Part Number	Trade Size	"R"	"O"	"H"	"S" MIN	"L"
5133949	3/4	36	36	36	1.500	56.500
5133852	1	36	36	36	1.875	56.500
5133884	1-1/4	36	36	36	2.000	56.500
5133866	1-1/2	36	36	36	2.000	56.500
5133848	2	36	36	36	2.000	56.500
5133857	2-1/2	36	36	36	3.000	56.500
5133820	3	36	36	36	3.125	56.500
5133818	3-1/2	36	36	36	3.250	56.500
5133821	4	36	36	36	3.375	56.500
5133841	5	36	36	36	3.625	56.500
5133877	6	36	36	36	3.750	56.500

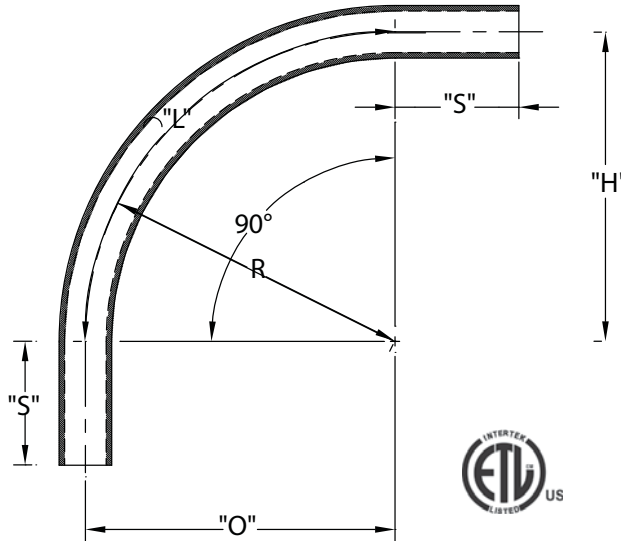
Dimensions are nominal

### Schedule 40 90° Elbow 48" Radius Plain End

Part Number	Trade Size	"R"	"O"	"H"	"S" MIN	"L"
5133864	1	48	48	48	1.875	75.375
5133871	1-1/4	48	48	48	2.000	75.375
5133865	1-1/2	48	48	48	2.000	75.375
5133876	2	48	48	48	2.000	75.375
5133849	2-1/2	48	48	48	3.000	75.375
5133817	3	48	48	48	3.125	75.375
5133892	3-1/2	48	48	48	3.250	75.375
5133843	4	48	48	48	3.375	75.375
5133842	5	48	48	48	3.625	75.375
5133816	6	48	48	48	3.750	75.375
5133993D	8	48	48	48	6.625	75.375

Dimensions are nominal

## Schedule 40 90° Elbow Special Radius - Plain End



### Schedule 40 90° Elbow 60" Radius Plain End

Part Number	Trade Size	"R"	"O"	"H"	"S" MIN	"L"
5133786	2	60	60	60	2.000	94.250
5134046	2-1/2	60	60	60	3.000	94.250
5133819	3	60	60	60	3.125	94.250
5133925	3-1/2	60	60	60	3.250	94.250
5133854	4	60	60	60	3.375	94.250
5133885	5	60	60	60	3.625	94.250
5133886	6	60	60	60	3.750	94.250

Dimensions are nominal

### Schedule 40 90° Elbow 72" Radius Plain End

Part Number	Trade Size	"R"	"O"	"H"	"S" MIN	"L"
5133860	2	72	72	72	2.000	113.125
5134155	3	72	72	72	3.125	113.125
5133787	4	72	72	72	3.375	113.125
5134024	5	72	72	72	3.625	113.125
5133928	6	72	72	72	3.750	113.125

Dimensions are nominal

### Schedule 40 90° Elbow 84" Radius Plain End

Part Number	Trade Size	"R"	"O"	"H"	"S" MIN	"L"
5134049	6	84	84	84	3.75	132

Dimensions are nominal

### Schedule 40 90° Elbow 96" Radius Plain End

Part Number	Trade Size	"R"	"O"	"H"	"S" MIN	"L"
5134025	5	96	96	96	3.625	150.875
5134015	6	96	96	96	3.750	150.875

Dimensions are nominal

### Schedule 40 90° Elbow 120" Radius Plain End

Part Number	Trade Size	"R"	"O"	"H"	"S" MIN	"L"
5133927	4	120	120	120	3.375	188.500
5134007	6	120	120	120	3.750	188.500

Dimensions are nominal

### Schedule 40 90° Elbow 150" Radius Plain End

Part Number	Trade Size	"R"	"O"	"H"	"S" MIN	"L"
5133992	4	150	150	150	3.375	235.625
5134059	5	150	150	150	3.625	235.625

Dimensions are nominal