

DESCRIPTION

SNLED Base is a narrow LED striplight series. This high quality luminaire is dedicated to the latest solid state lighting and electronic driver technology for optimal performance and energy efficiency.

The small size of the SNLED makes it an ideal choice for size restricted architectural applications. The SNLED Series can be the illumination solution in commercial, industrial, retail and residential applications. Fixtures can be used in storage/utility areas, coves, display cases, shops, tasks and general area lighting.

SPECIFICATION FEATURES

Construction

Channel is die formed cold rolled steel with numerous KOs for ease of installation. Groove for Tong Hanger. End plate quickly converts to snap-in channel connector for continuous row alignment. Channel/wireway cover secured with sheet metal screws.

Controls

Equipped standard with a 0-10V continuous dimming driver that works with any standard 0-10V control/dimmer. Combine with energy saving products like occupancy sensors, day lighting controls, and lighting relay panels to maximize energy savings. For motion control, reference options for both end and middle of the row applications. Standard dimming is 0-10V to 10% with 1%, step and Fifth Light DALI dimming options available.

Electrical

Long-Life LED system coupled with electrical driver to deliver optimal performance. LED's available in 3000K, 3500K, 4000K or 5000K with a minimum of 80 CRI and optional

90 CRI. Projected life based on TM21 rating up to L87 >60,000 hours. Electronic drivers are cULus recognized and available for 120-277V, 347V and 480V applications.

Emergency Battery Pack Option

Optional 120v-277v integral emergency battery pack is available in 7-watts or 14-watts to meet critical life-safety lighting requirements. The 90-minute batteries provide constant power to the LED system, ensuring code-compliance. A test switch/indicator button can be tested safely from the ground using a laser pointer, while the patented EZ Key prevents accidental discharge of the battery during construction. Emergency/generator transfer options available – see ordering information for details.

Catalog #

Type

Project

Comments

Date

Prepared by

Installation

Fixture may be surface, pendant, or stem mounted. See accessories below (order separately).

Compliance

Indoor luminaires are cULus listed for -20°C to 40°C ambient environments, RoHS compliant, damp location listed, and comply with IESNA LM-79. LEDs comply with LM-80 standards. Drivers are NEMA 410 compliant. DesignLights Consortium® Qualified and classified for both DLC Standard and DLC Premium, refer to www.designlights.org for details. Can be used for State of California Title 24 high efficacy luminaire.

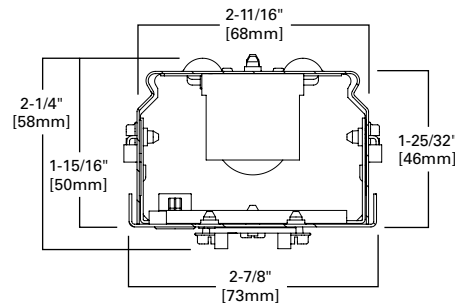
Warranty

Five-year warranty.

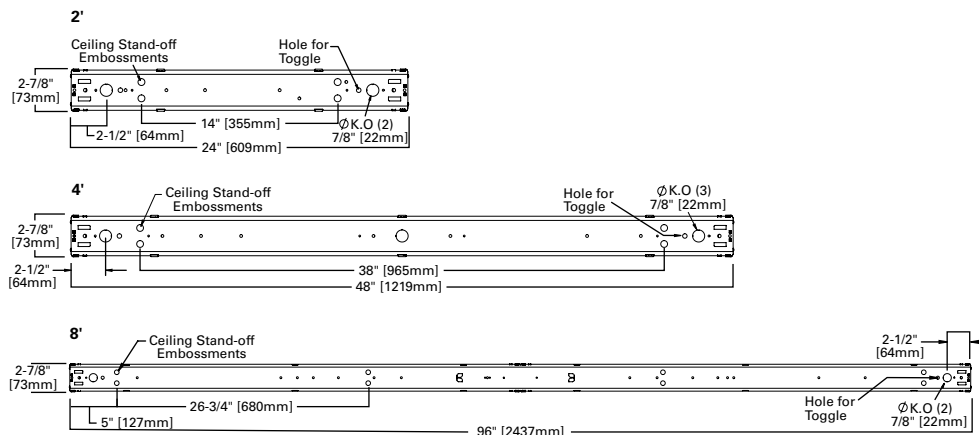


SNLED BASE LED

LED Striplight



MOUNTING DATA



WATTAGE

SNLED Type	Lumen Type	Length	Catalog Number	Nominal 3500K Lumens	Wattage	lm/W
Base	Standard	2 ft.	2SNLED-LD5-20SL-UNV-L8XX-CD1-U	2005	14	140.5
Base	Standard	2 ft.	2SNLED-LD5-24SL-UNV-L8XX-CD1-U	2476	18	136.8
Base	Standard	2 ft.	2SNLED-LD5-28SL-UNV-L8XX-CD1-U	2810	21	134.1
Base	High	2 ft.	2SNLED-LD5-37HL-UNV-L8XX-CD1-U	3799	27	143.0

Base	Standard	4 ft.	4SNLED-LD5-20SL-UNV-L8XX-CD1-U	1934	13	148.4
Base	Standard	4 ft.	4SNLED-LD5-24SL-UNV-L8XX-CD1-U	2398	16	149.8
Base	Standard	4 ft.	4SNLED-LD5-28SL-UNV-L8XX-CD1-U	2761	18	149.7
Base	Standard	4 ft.	4SNLED-LD5-32SL-UNV-L8XX-CD1-U	3148	21	148.7
Base	Standard	4 ft.	4SNLED-LD5-36SL-UNV-L8XX-CD1-U	3649	25	146.6
Base	Standard	4 ft.	4SNLED-LD5-40SL-UNV-L8XX-CD1-U	4014	28	144.9
Base	Standard	4 ft.	4SNLED-LD5-44SL-UNV-L8XX-CD1-U	4367	31	142.9
Base	Standard	4 ft.	4SNLED-LD5-48SL-UNV-L8XX-CD1-U	4827	35	139.9
Base	Standard	4 ft.	4SNLED-LD5-52SL-UNV-L8XX-CD1-U	5167	38	137.4
Base	Standard	4 ft.	4SNLED-LD5-56SL-UNV-L8XX-CD1-U	5604	41	136.4
Base	Standard	4 ft.	4SNLED-LD5-60SL-UNV-L8XX-CD1-U	6015	46	130.4
Base	Standard	4 ft.	4SNLED-LD5-64SL-UNV-L8XX-CD1-U	6504	52	125.9
Base	Standard	4 ft.	4SNLED-LD5-68SL-UNV-L8XX-CD1-U	6781	55	123
Base	High	4 ft.	4SNLED-LD5-56HL-UNV-L8XX-CD1-U	5634	37	152
Base	High	4 ft.	4SNLED-LD5-60HL-UNV-L8XX-CD1-U	5894	39	150.9
Base	High	4 ft.	4SNLED-LD5-64HL-UNV-L8XX-CD1-U	6421	43	148.9
Base	High	4 ft.	4SNLED-LD5-85HL-UNV-L8XX-CD1-U	8471	62	136.3

Base	Standard	8 ft.	8TSNLED-LD5-64SL-UNV-L8XX-CD1-U	6296	42	148.7
Base	Standard	8 ft.	8TSNLED-LD5-72SL-UNV-L8XX-CD1-U	7298	50	146.6
Base	Standard	8 ft.	8TSNLED-LD5-80SL-UNV-L8XX-CD1-U	8028	55	144.9
Base	Standard	8 ft.	8TSNLED-LD5-88SL-UNV-L8XX-CD1-U	8734	61	142.9
Base	Standard	8 ft.	8TSNLED-LD5-96SL-UNV-L8XX-CD1-U	9654	69	139.9
Base	Standard	8 ft.	8TSNLED-LD5-104SL-UNV-L8XX-CD1-U	10334	75	137.4
Base	Standard	8 ft.	8TSNLED-LD5-112SL-UNV-L8XX-CD1-U	11208	82	136.4
Base	High	8 ft.	8TSNLED-LD5-130HL-UNV-L8XX-CD1-U	12842	86	148.9
Base	High	8 ft.	8TSNLED-LD5-170HL-UNV-L8XX-CD2-U	16942	124	136.3

* Stocked in either 3500K or 4000K. Check Flash for stock availability.

PHOTOMETRICS

See website for IES/photometric files

CCT TABLE

Approximate Color Temperature Multiplier	
2700K	.93
3000K	.98
3500K	1.0
4000K	1.02
5000K	1.02

CRI

Lumen multiplier (80CRI to 90CRI)			
3000K	3500K	4000K	5000K
0.805	0.840	0.846	0.901

ORDERING INFORMATION

SAMPLE NUMBER: 4SNLED-LD5-48SL-UNV-L840-U

<p>2=2' Length 4=4' Length 8T=8' Length</p> <p>Series SNLED=Commercial LED Striplight ⁽¹²⁾</p> <p>Lamp Type LD5=LED 5.0</p> <p>Lumen Package ⁽¹⁾ Stocked Lumen MTO Lumen Packages Packages 24SL ⁽¹³⁾ 20SL ⁽¹³⁾ 28SL ⁽¹³⁾ 36SL 32SL 37HL 48SL 40SL 80SL 44SL 88SL 52SL 56SL 56HL 60SL 60HL 64SL 64HL 68SL 72SL 85HL 96SL 104SL 112SL ⁽¹⁵⁾ 130HL ⁽¹⁵⁾ 170HL ⁽¹⁴⁾</p>	<p>Voltage UNV=Universal Voltage 120-277 347=347V 480=480V ⁽³⁾</p> <p>Options Emergency EL7W=7-watt, 120V-277V emergency battery pack installed ^{(5), (6)} EL14W=14-watt 120V-277V emergency battery pack installed ^{(5), (6)} GTR2=Bodine Generator Transfer Relay ⁽⁹⁾ ETRD=Iota Emergency Transfer Relay with dimming control ⁽⁹⁾</p> <p>Wiring PI/CPI=Plug in and cross over plug in options ⁽¹¹⁾ PC6/515P=(NEMA 5-15P) 6' Cord with NEMA Straight Plug ^{(10), (11)} PC6/L715=(NEMA L7-15P) 6' Cord with NEMA Twist Plug ^{(10), (11)}</p> <p>Motion Sensors ⁽¹⁶⁾ LB-ERMS360=360° Low Bay Motion Sensor - End of Row LB-MRMS360=360° Low Bay Motion Sensor - Middle of Row HB-ERMS360=360° High Bay Motion Sensor - End of Row ⁽⁴⁾ HB-MRMS360=360° High Bay Motion Sensor - Middle of Row ⁽⁴⁾</p> <p>CCT/CRI L830=3000K, 80 CRI L835=3500K, 80 CRI L840=4000K, 80 CRI L850=5000K, 80 CRI L930=3000K, 90 CRI L935=3500K, 90 CRI L940=4000K, 90 CRI L950=5000K, 90 CRI</p>	<p>Driver Type CD=0-10V Dimming Driver (10% - 100% Dimming) HCD=0-10V Dimming Driver (1% - 100% Dimming) SD=Step-dim (Bi Level) ⁽⁵⁾ 5LTD=Fifth Light (DALI) Driver ^{(3), (5)}</p> <p>Number of Drivers 1=1 Driver 2=2 Drivers</p>	<p>Packaging U=Unit Pack</p>
---	--	---	---

ACCESSORIES

- (Order Separately)
- AYC-Chain/Set=36" Chain Hanger (Use 1 set per fixture)
- SCF=Fixed Stem Set (Specify Length)
- SCS=Swivel Stem Set (Specify Length)
- SCA=Adjustable 48" Stem Set
- EYE CHAIN SET/3FT=Eye Bolt Chain (Use 1 set per fixture)
- WG/SNF-2FT=2' Wire Guard
- WG/SNF-4FT=4' Wire Guard
- A1B/Spacer-U=Spacer 1-1/2" to 2-1/2" from ceiling (Use 2 per fixture)
- TOGGLE=Single Toggle No. 2 (Specify Length)
- Y-TOGGLE=Y Toggle No. 2 (Specify Length)
- SNLED-LENS-LW-2FT-U=Replacement Lens 2 ft, Full Frost
- SNLED-LENS-LN-2FT-U=Replacement Lens 2 ft, Semi Frost
- SNLED-LENS-LC-2FT-U=Replacement Lens 2 ft, Clear
- SNLED-LENS-LW-4FT-U=Replacement Lens 4 ft, Full Frost
- SNLED-LENS-LN-4FT-U=Replacement Lens 4 ft, Semi Frost
- SNLED-LENS-LC-4FT-U=Replacement Lens 4 ft, Clear

NOTES: ⁽¹⁾ Nominal lumen values. See table for values and fixture length. ⁽²⁾ 4 ft. and 8 ft. only. ⁽⁴⁾ Motion Sensor offers dimmability. ⁽⁵⁾ For a complete listing of Fifth Light products, visit www.eaton.com/lightingsystems ⁽⁶⁾ With integral test switch/indicator/laser test. For approximate delivered lumens multiply the lumens per watt of the desired fixture by the wattage of the emergency battery pack (100 lm/W x 7=700 lumens). IES-format photometry for luminaire under emergency operation available. ⁽⁹⁾ Used to bypass local control during outage. Must be used in conjunction with UL 1008 device (provided by others). GTR2 option includes 2 relays on fixtures with dimming drivers. ETRD option only requires one relay when used on a dimming fixture. Must specify voltage as 120V or 277V when ordering these devices. ⁽¹⁰⁾ Most common C&P shown. Must specify location for cord. All "end" locations will be on the end with sensor installed. ⁽¹¹⁾ Consult tech support on numerous options for this feature. ⁽¹²⁾ DesignLights Consortium® Qualified and classified for both DLC Standard and DLC Premium, refer to www.designlights.org for details. ⁽¹³⁾ Available in 2 ft. and 4 ft. ⁽¹⁴⁾ Requires two drivers. ⁽¹⁵⁾ DALI and Step-dim versions require two drivers. ⁽¹⁶⁾ Sensors provided in separate externally mounted enclosure. See SRL spec sheet for fully integrated/connected sensors.

Specifications & dimensions subject to change without notice. Consult your Eaton Representative for availability and ordering information.

SHIPPING DATA

Length.	Wt.
2 ft.	3.8 lbs.
4 ft.	7.2 lbs.
8 ft.	13.1 lbs.