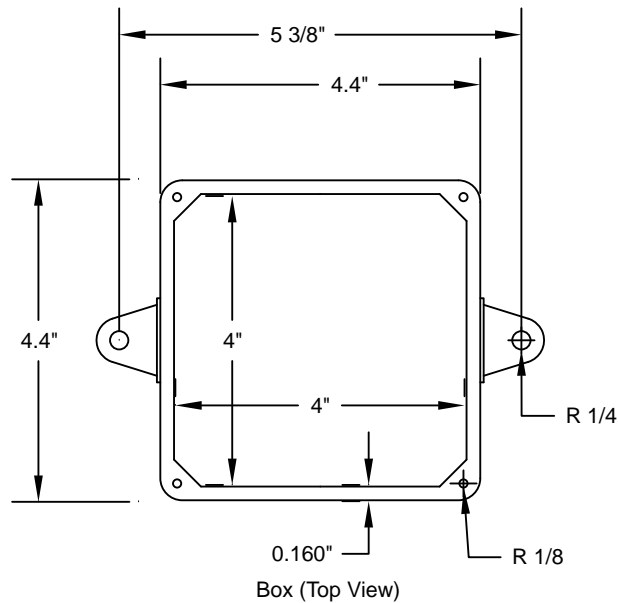
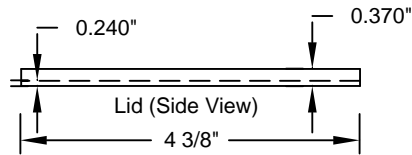


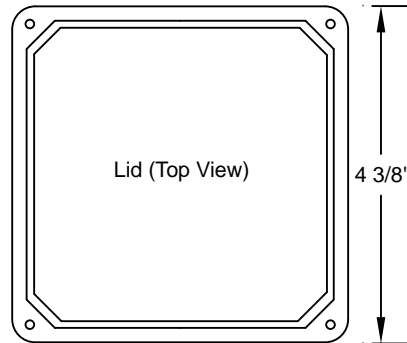
Box (Side View)



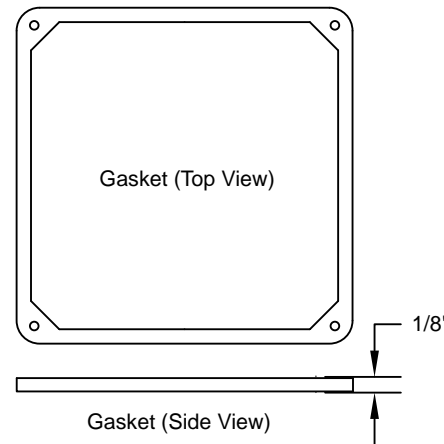
Box (Top View)



Lid (Side View)

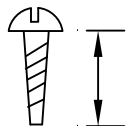


Lid (Top View)

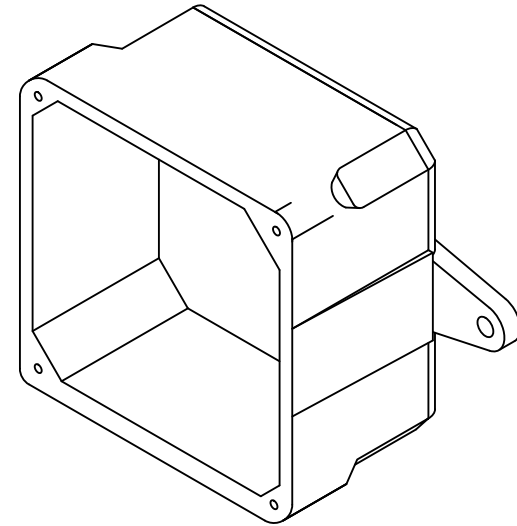


Gasket (Top View)

Gasket (Side View)



8 by 1/2"



UL Listed
 Marine Listed
 UL File # E205935 (QCUP)
 UL Control # 92CM
 Material is Rigid PVC
 32.04 cu in Volume (525 cu cm)
 Screws are Zinc Plated Steel
 Gasket is neoprene



CANTEX
 INC.
 Fort Worth, TEXAS

Junction Box 4 x 4 x 2

Drawn By: Scott Frank | Date: 8-12-2008 | 5133705