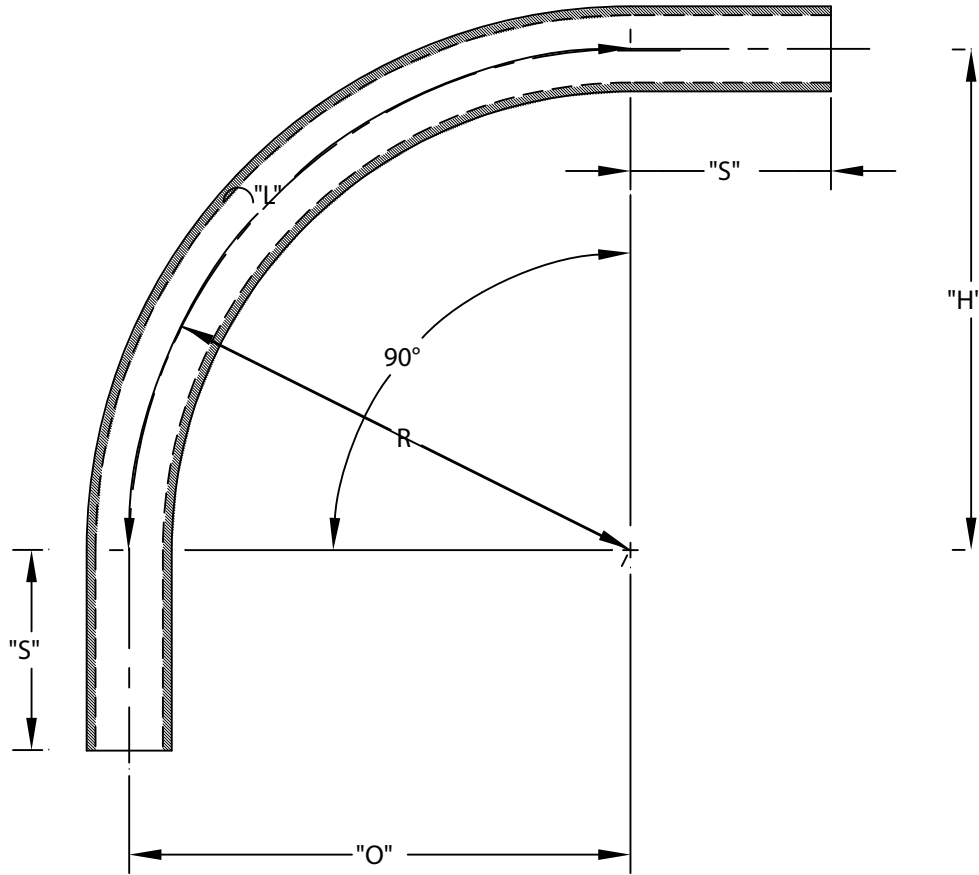


PART NUMBER	SIZE	"R"	"O"	"H"	"S" MIN	"B" MIN	"L"
5133846	1"	18"	18"	18"	1 7/8"	N/A	28 1/4"
5133923	1 1/4"	18"	18"	18"	2"	N/A	28 1/4"
5133839	1 1/2"	18"	18"	18"	2"	N/A	28 1/4"
5133844	2"	18"	18"	18"	2"	N/A	28 1/4"
5133856	2 1/2"	18"	18"	18"	3"	N/A	28 1/4"
5133858	3"	18"	18"	18"	3 1/8"	N/A	28 1/4"

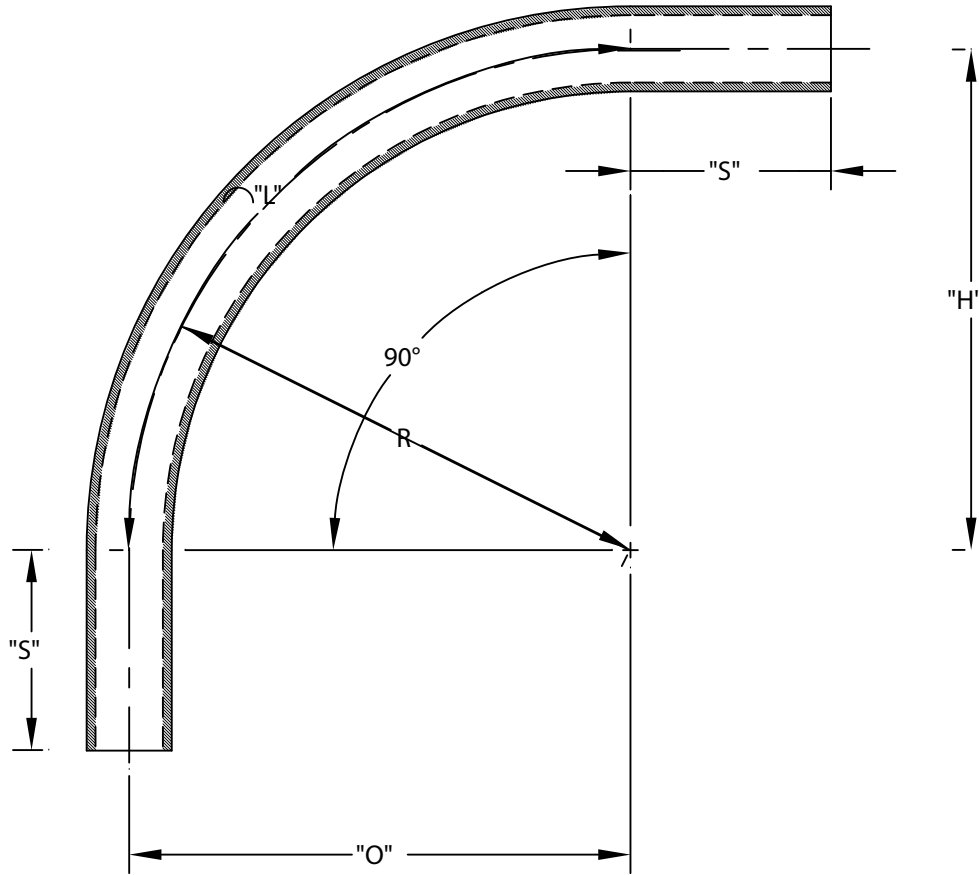


ETL LISTED  
 CONFORMS TO UL651  
 ETL CONTROL #3107144  
 CONFORMS TO NEMA TC3  
 SEE NEC ARTICLE 352 FOR USE  
 MATERIAL IS RIGID PVC  
 BEND TOLERANCE IS  $\pm 2^\circ$




<b>CANTEX</b> INC. Fort Worth, TEXAS		
90° Elbows Plain End Schedule 40 18" Radius Elbows		
Drawn By: CD Branch	Date: 10/15/07	Ref.

PART NUMBER	SIZE	"R"	"O"	"H"	"S" MIN	"B" MIN	"L"
5133846	1"	18"	18"	18"	1 7/8"	N/A	28 1/4"
5133923	1 1/4"	18"	18"	18"	2"	N/A	28 1/4"
5133839	1 1/2"	18"	18"	18"	2"	N/A	28 1/4"
5133844	2"	18"	18"	18"	2"	N/A	28 1/4"
5133856	2 1/2"	18"	18"	18"	3"	N/A	28 1/4"
5133858	3"	18"	18"	18"	3 1/8"	N/A	28 1/4"



ETL LISTED  
 CONFORMS TO UL651  
 ETL CONTROL #3107144  
 CONFORMS TO NEMA TC3  
 SEE NEC ARTICLE 352 FOR USE  
 MATERIAL IS RIGID PVC  
 BEND TOLERANCE IS  $\pm 2^\circ$



 <b>CANTEX</b> INC. Fort Worth, TEXAS		
90° Elbows Plain End Schedule 40 18" Radius Elbows		
Drawn By: CD Branch	Date: 10/15/07	Ref.