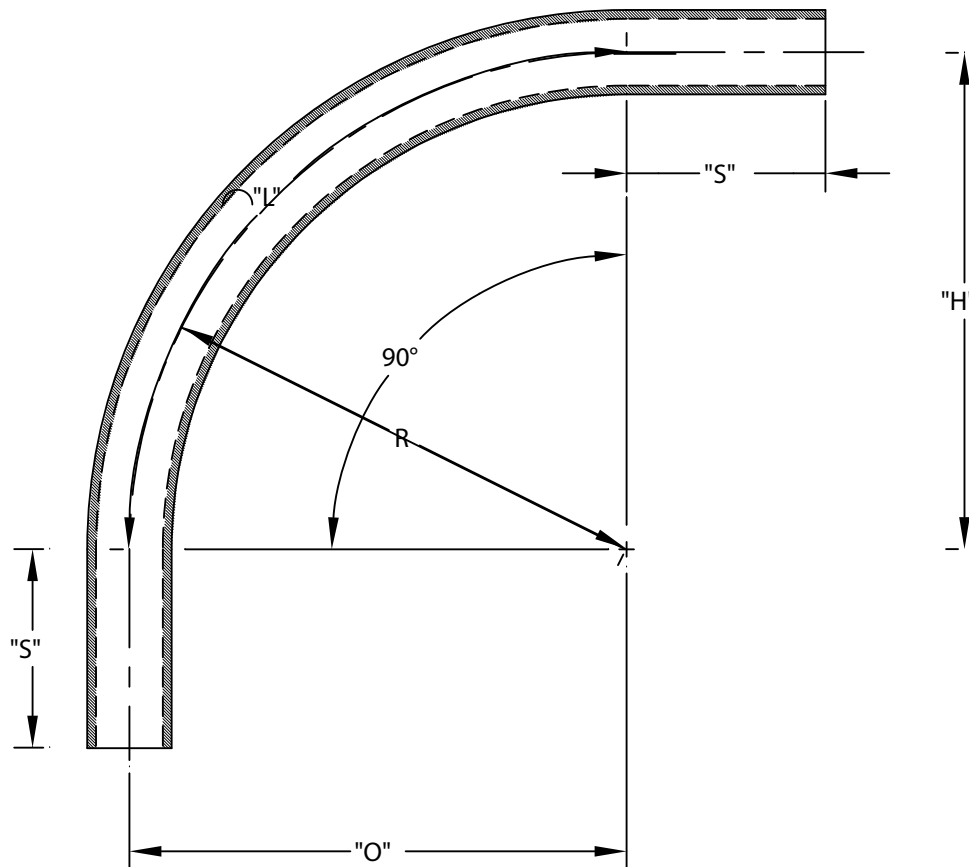


PART NUMBER	SIZE	"R"	"O"	"H"	"S" MIN	"B" MIN	"L"
5133934	3/4"	24"	24"	24"	1 1/2 "	N/A	37 3/4"
5133859	1"	24"	24"	24"	1 7/8 "	N/A	37 3/4"
5133883	1 1/4 "	24"	24"	24"	2"	N/A	37 3/4"
5133873	1 1/2 "	24"	24"	24"	2"	N/A	37 3/4"
5133836	2"	24"	24"	24"	2"	N/A	37 3/4"
5133847	2 1/2 "	24"	24"	24"	3"	N/A	37 3/4"
5133837	3"	24"	24"	24"	3 1/8 "	N/A	37 3/4"
5133893	3 1/2 "	24"	24"	24"	3 1/4 "	N/A	37 3/4"
5133822	4"	24"	24"	24"	3 3/8 "	N/A	37 3/4"



ETL LISTED  
 CONFORMS TO UL651  
 ETL CONTROL #3107144  
 CONFORMS TO NEMA TC3  
 SEE NEC ARTICLE 352 FOR USE  
 MATERIAL IS RIGID PVC  
 BEND TOLERANCE IS ±2°



**CANTEX**  
 INC.  
 Fort Worth, TEXAS

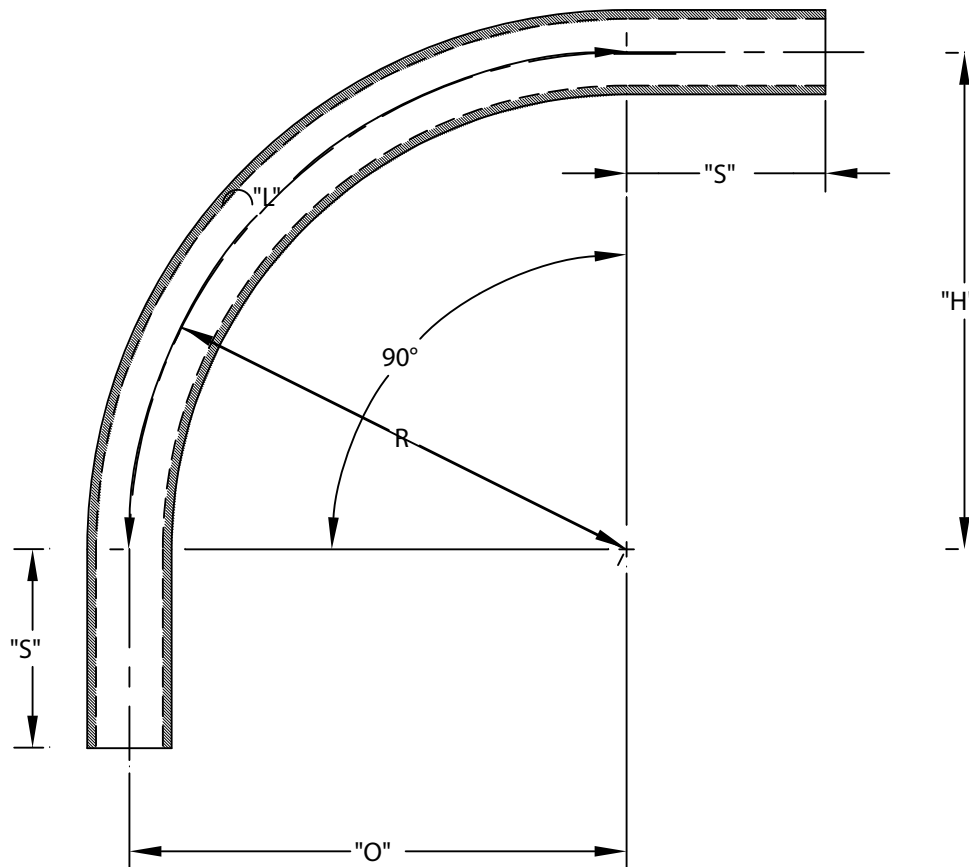
90° Elbows Plain End  
 Schedule 40 24" Radius Elbows

Drawn By: CD Branch

Date: 10/15/07

Ref.

PART NUMBER	SIZE	"R"	"O"	"H"	"S" MIN	"B" MIN	"L"
5133934	3/4"	24"	24"	24"	1 1/2 "	N/A	37 3/4"
5133859	1"	24"	24"	24"	1 7/8 "	N/A	37 3/4"
5133883	1 1/4 "	24"	24"	24"	2"	N/A	37 3/4"
5133873	1 1/2 "	24"	24"	24"	2"	N/A	37 3/4"
5133836	2"	24"	24"	24"	2"	N/A	37 3/4"
5133847	2 1/2 "	24"	24"	24"	3"	N/A	37 3/4"
5133837	3"	24"	24"	24"	3 1/8 "	N/A	37 3/4"
5133893	3 1/2 "	24"	24"	24"	3 1/4 "	N/A	37 3/4"
5133822	4"	24"	24"	24"	3 3/8 "	N/A	37 3/4"



ETL LISTED  
 CONFORMS TO UL651  
 ETL CONTROL #3107144  
 CONFORMS TO NEMA TC3  
 SEE NEC ARTICLE 352 FOR USE  
 MATERIAL IS RIGID PVC  
 BEND TOLERANCE IS ±2°



**CANTEX**  
 INC.  
 Fort Worth, TEXAS

90° Elbows Plain End  
 Schedule 40 24" Radius Elbows

Drawn By: CD Branch

Date: 10/15/07

Ref.