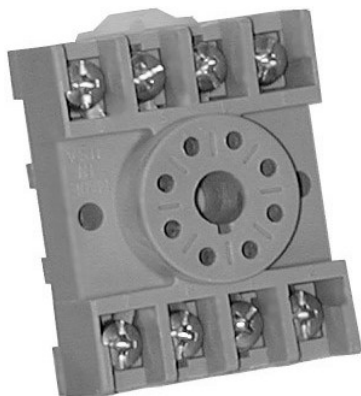
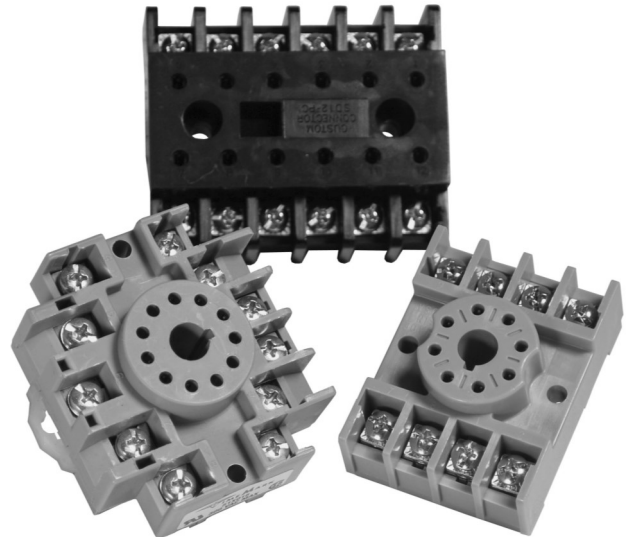


# MODEL 51X120 MODEL 51X016 MODEL 51X156

## Sockets

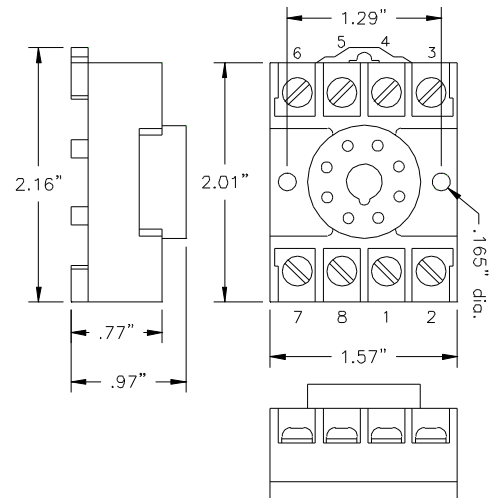
- **8-Pin Socket: (Model 51X120)**  
10 Amps at 600VAC Rating
- **11-Pin Socket: (Model 51X016)**  
10 Amps at 300VAC Rating
- **12-Pin Socket: (Model 51X156)**  
10 Amps at 600VAC Rating



The **Model 51X120 8-Pin Socket** is a surface or DIN-rail mount socket which is suitable for use with **Time Mark Relays** up to 480 VAC.

The thermoplastic body can withstand temperatures up to 300° F continuously without melting or electrical breakdown. Terminals are #6-32 screws, and are suitable for use with wire sizes up to two #12 AWG. The one piece molded body does not require a separate insulator strip.

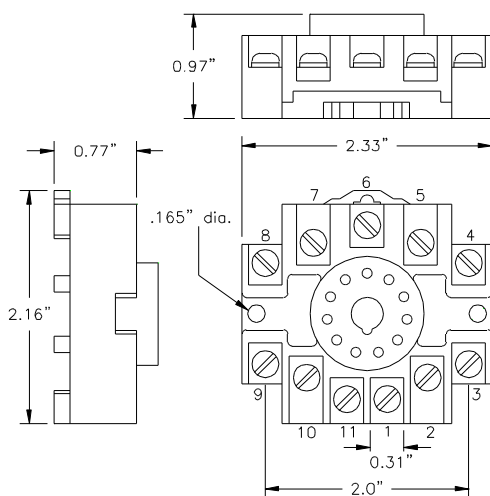
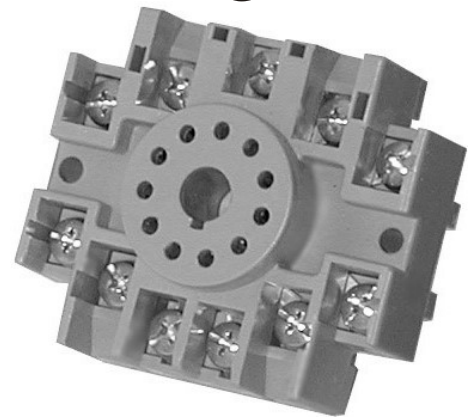
The Model 51X120 is UL Recognized, CSA Certified, and CE (European Conformity) Accepted.



The **Model 51X016 11-Pin Socket** is a surface or DIN-rail mount socket.

The thermoplastic body can withstand temperatures up to 300°F continuously without melting or electrical breakdown. Terminals are #6-32 screws, and are suitable for use with wire sizes up to two #12 AWG. The one piece molded body does not require a separate insulator strip.

The Model 51X016 is UL Recognized, CSA Certified, and CE (European Conformity) Accepted.



Telephone: Main - (918) 438-1220  
Sales - (800) 862-2875  
Fax: (918) 437-7584

E-mail: sales@time-mark.com  
Internet: http://www.time-mark.com



**TIME MARK**  
CORPORATION

11440 East Pine Street  
Tulsa, Oklahoma 74116

03/2018  
© 2018 TIME MARK CORPORATION

TIME MARK is a division of  **AEMT, Inc.**

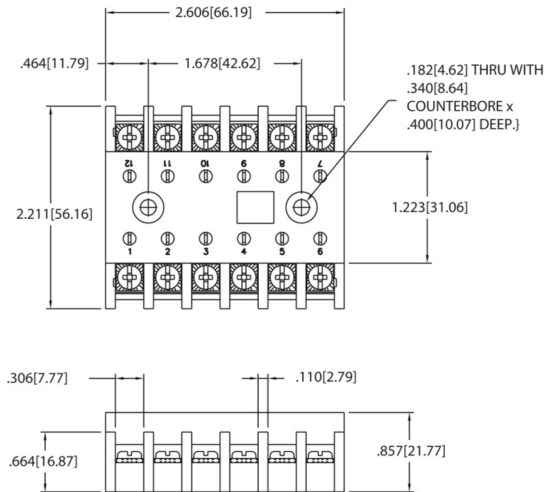
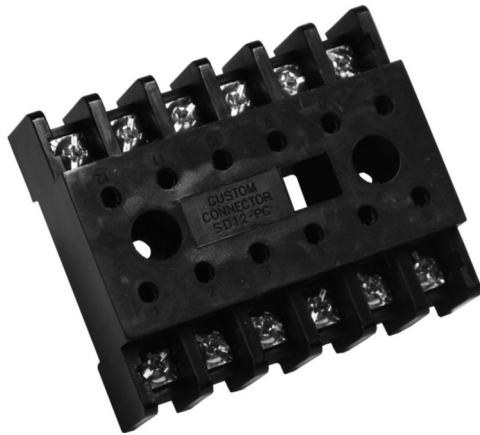
# MODELS 51X120/51X016/51X156

# Sockets

The Model 51X156 12-Pin Socket is a surface or DIN-rail mount socket. This unit is used for Time Mark Corporation models 261XBXP and 261XBXP Alternating Relays.

UL rates the compound material used on the 51X156 at 140°C or 284°F. Terminals are #6-32 screws, and are suitable for use with wire sizes up to two #12 AWG and rated up to 600VAC.

The Model 51X156 is UL Recognized, CSA Certified, and CE (European Conformity) Accepted.




Telephone: Main - (918) 438-1220  
Sales - (800) 862-2875  
Fax: (918) 437-7584

E-mail: [sales@time-mark.com](mailto:sales@time-mark.com)  
Internet: <http://www.time-mark.com>



11440 East Pine Street  
Tulsa, Oklahoma 74116

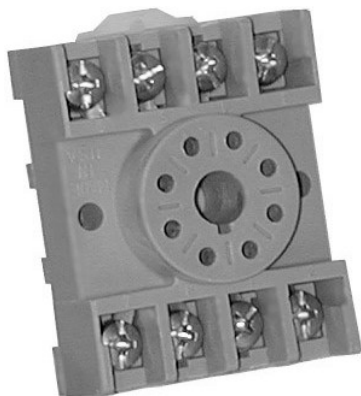
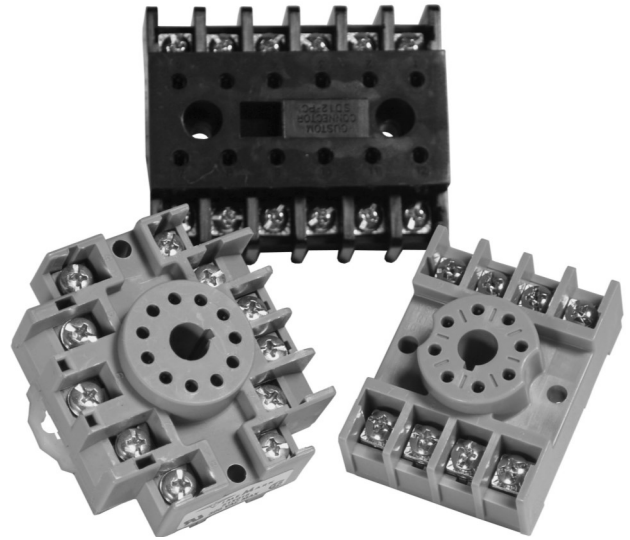
03/2018  
© 2018 TIME MARK CORPORATION

TIME MARK is a division of  AEMT, Inc.

# MODEL 51X120 MODEL 51X016 MODEL 51X156

## Sockets

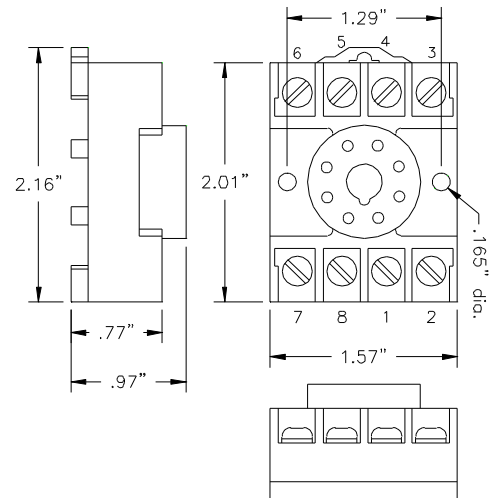
- **8-Pin Socket: (Model 51X120)**  
10 Amps at 600VAC Rating
- **11-Pin Socket: (Model 51X016)**  
10 Amps at 300VAC Rating
- **12-Pin Socket: (Model 51X156)**  
10 Amps at 600VAC Rating



The **Model 51X120 8-Pin Socket** is a surface or DIN-rail mount socket which is suitable for use with **Time Mark Relays** up to 480 VAC.

The thermoplastic body can withstand temperatures up to 300° F continuously without melting or electrical breakdown. Terminals are #6-32 screws, and are suitable for use with wire sizes up to two #12 AWG. The one piece molded body does not require a separate insulator strip.

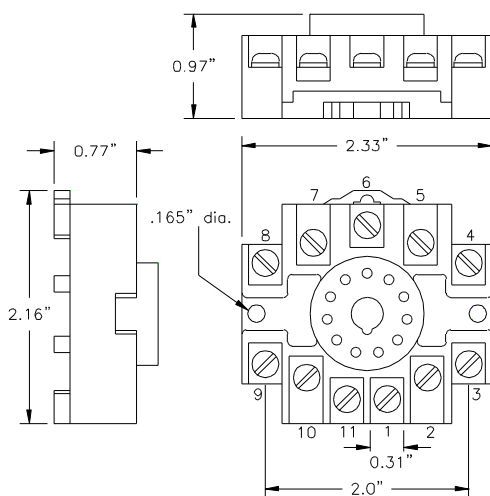
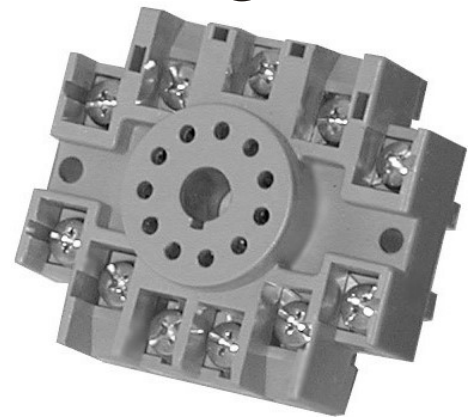
The Model 51X120 is UL Recognized, CSA Certified, and CE (European Conformity) Accepted.



The **Model 51X016 11-Pin Socket** is a surface or DIN-rail mount socket.

The thermoplastic body can withstand temperatures up to 300°F continuously without melting or electrical breakdown. Terminals are #6-32 screws, and are suitable for use with wire sizes up to two #12 AWG. The one piece molded body does not require a separate insulator strip.

The Model 51X016 is UL Recognized, CSA Certified, and CE (European Conformity) Accepted.



Telephone: Main - (918) 438-1220  
Sales - (800) 862-2875  
Fax: (918) 437-7584

E-mail: sales@time-mark.com  
Internet: http://www.time-mark.com



**TIME MARK**  
CORPORATION

11440 East Pine Street  
Tulsa, Oklahoma 74116

03/2018  
© 2018 TIME MARK CORPORATION

TIME MARK is a division of  **AEMT, Inc.**

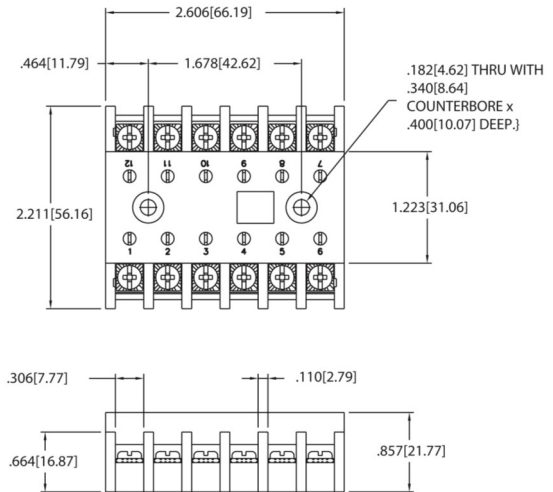
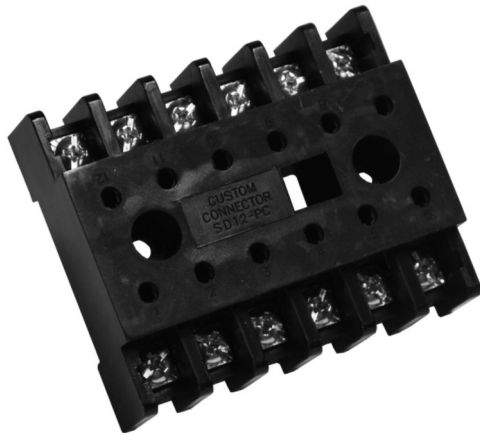
# MODELS 51X120/51X016/51X156

# Sockets

The Model 51X156 12-Pin Socket is a surface or DIN-rail mount socket. This unit is used for Time Mark Corporation models 261XBXP and 261XBXP Alternating Relays.

UL rates the compound material used on the 51X156 at 140°C or 284°F. Terminals are #6-32 screws, and are suitable for use with wire sizes up to two #12 AWG and rated up to 600VAC.

The Model 51X156 is UL Recognized, CSA Certified, and CE (European Conformity) Accepted.



Telephone: Main - (918) 438-1220  
Sales - (800) 862-2875  
Fax: (918) 437-7584

E-mail: [sales@time-mark.com](mailto:sales@time-mark.com)  
Internet: <http://www.time-mark.com>



11440 East Pine Street  
Tulsa, Oklahoma 74116

03/2018  
© 2018 TIME MARK CORPORATION

TIME MARK is a division of  AEMT, Inc.