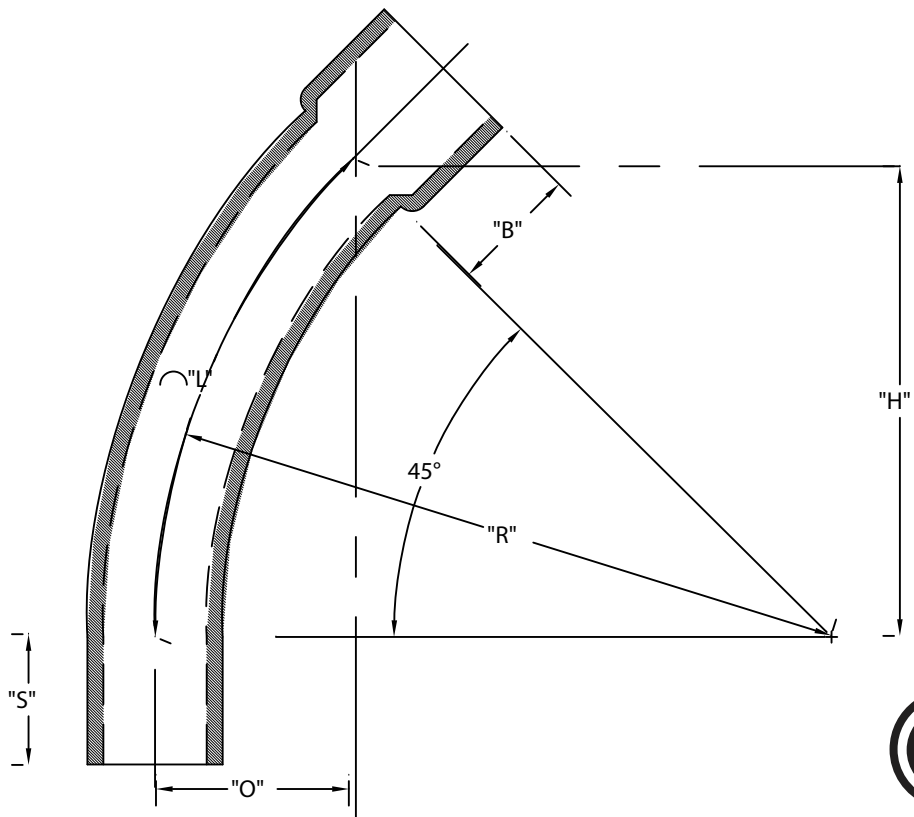


| PART NUMBER | SIZE | "R" | "O" | "H" | "S" MIN | "B" MIN | "L" |
|-------------|-------------------|-----|-----|-----|-------------------|-------------------|--------------------|
| 5233878 | 1" | 24" | 7" | 17" | 1 $\frac{7}{8}$ " | 1 $\frac{1}{2}$ " | 18 $\frac{7}{8}$ " |
| 5233941 | 1 $\frac{1}{4}$ " | 24" | 7" | 17" | 2" | 1 $\frac{1}{2}$ " | 18 $\frac{7}{8}$ " |
| 5233874 | 1 $\frac{1}{2}$ " | 24" | 7" | 17" | 2" | 2" | 18 $\frac{7}{8}$ " |
| 5233815 | 2" | 24" | 7" | 17" | 2" | 2" | 18 $\frac{7}{8}$ " |
| 5233935 | 2 $\frac{1}{2}$ " | 24" | 7" | 17" | 3" | 2 $\frac{1}{4}$ " | 18 $\frac{7}{8}$ " |
| 5233800 | 3" | 24" | 7" | 17" | 3 $\frac{1}{8}$ " | 2 $\frac{1}{2}$ " | 18 $\frac{7}{8}$ " |
| 5233802 | 3 $\frac{1}{2}$ " | 24" | 7" | 17" | 3 $\frac{1}{4}$ " | 3 $\frac{1}{4}$ " | 18 $\frac{7}{8}$ " |
| 5233812 | 4" | 24" | 7" | 17" | 3 $\frac{3}{8}$ " | 3 $\frac{1}{4}$ " | 18 $\frac{7}{8}$ " |



ETL LISTED
 CONFORMS TO UL651
 ETL CONTROL #3107144
 CONFORMS TO NEMA TC3
 SEE NEC ARTICLE 352 FOR USE
 MATERIAL IS RIGID PVC
 BEND TOLERANCE IS $\pm 2^\circ$
 "B" TOLERANCE IS $-\frac{1}{8}$ ", $+\frac{1}{2}$ "



CANTEX
 INC.
 Fort Worth, TEXAS

45° Elbows Bell End
 Schedule 40 24" Radius Elbows

Drawn By: CD Branch

Date: 10/15/07

Ref.