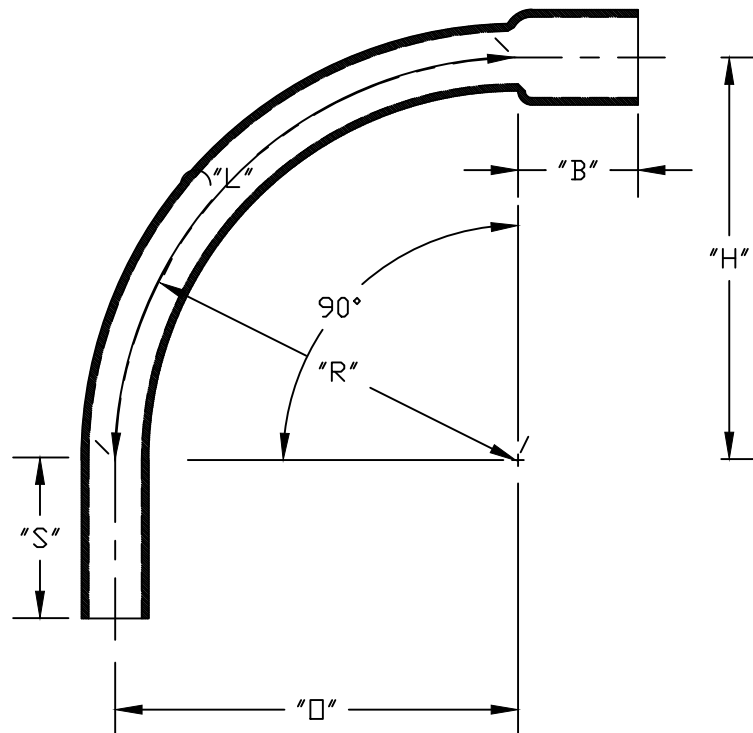


PART NUMBER	SIZE	"R"	"□"	"H"	"S" MIN	"B" MIN	"L"
5234099	¾"	24"	24"	24"	1 ½"	¾"	37 ¼"
5233859	1"	24"	24"	24"	1 ⅞"	⅞"	37 ¼"
5233883	1 ¼"	24"	24"	24"	2"	1"	37 ¼"
5233873	1 ½"	24"	24"	24"	2"	1 ⅛"	37 ¼"
5133924	2"	24"	24"	24"	2"	1 ¼"	37 ¼"
5233847	2 ½"	24"	24"	24"	3"	1 ½"	37 ¼"
5233837	3"	24"	24"	24"	3 ⅛"	1 ⅝"	37 ¼"
5233893	3 ½"	24"	24"	24"	3 ¼"	1 ⅛"	37 ¼"
5233822	4"	24"	24"	24"	3 ⅜"	1 ¾"	37 ¼"

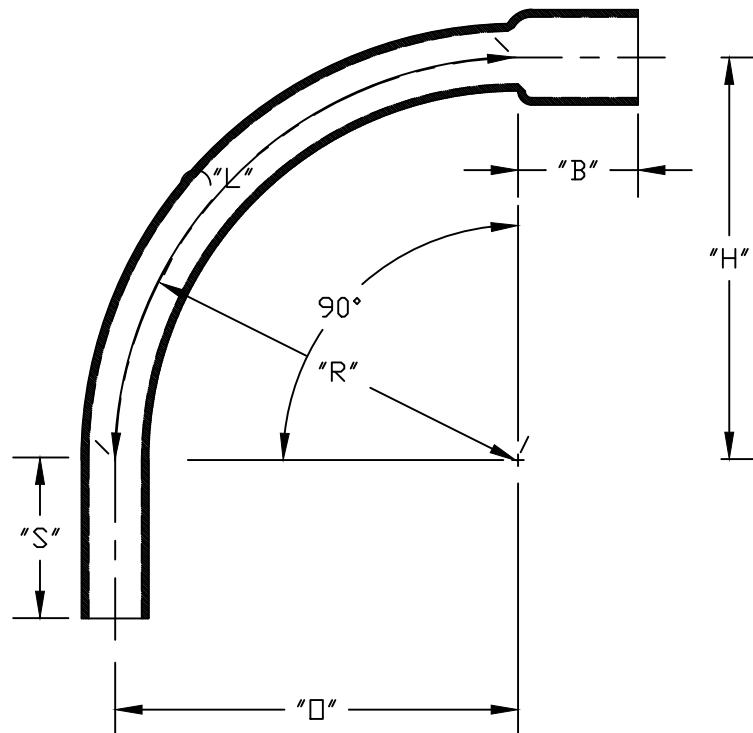


ETL LISTED  
 CONFORMS TO UL651  
 ETL CONTROL #3107144  
 CONFORMS TO NEMA TC3  
 SEE NEC ARTICLE 352 FOR USE  
 MATERIAL IS RIGID PVC  
 BEND TOLERANCE IS ±2°



<b>CANTEX</b> INC. Fort Worth, TEXAS		
90° Elbows Bell End Schedule 40 24" Radius Elbows		
Drawn By: O.M.	Date: 5/12/17	Ref. 5233859

PART NUMBER	SIZE	"R"	"□"	"H"	"S" MIN	"B" MIN	"L"
5234099	¾"	24"	24"	24"	1 ½"	¾"	37 1/16"
5233859	1"	24"	24"	24"	1 7/8"	7/8"	37 1/16"
5233883	1 ¼"	24"	24"	24"	2"	1"	37 1/16"
5233873	1 ½"	24"	24"	24"	2"	1 1/8"	37 1/16"
5133924	2"	24"	24"	24"	2"	1 ¼"	37 1/16"
5233847	2 ½"	24"	24"	24"	3"	1 ½"	37 1/16"
5233837	3"	24"	24"	24"	3 1/8"	1 5/8"	37 1/16"
5233893	3 ½"	24"	24"	24"	3 ¼"	1 1/16"	37 1/16"
5233822	4"	24"	24"	24"	3 3/8"	1 3/4"	37 1/16"



ETL LISTED  
 CONFORMS TO UL651  
 ETL CONTROL #3107144  
 CONFORMS TO NEMA TC3  
 SEE NEC ARTICLE 352 FOR USE  
 MATERIAL IS RIGID PVC  
 BEND TOLERANCE IS ±2°



<b>CANTEX</b> INC. Fort Worth, TEXAS		
90° Elbows Bell End Schedule 40 24" Radius Elbows		
Drawn By: O.M.	Date: 5/12/17	Ref. 5233859