

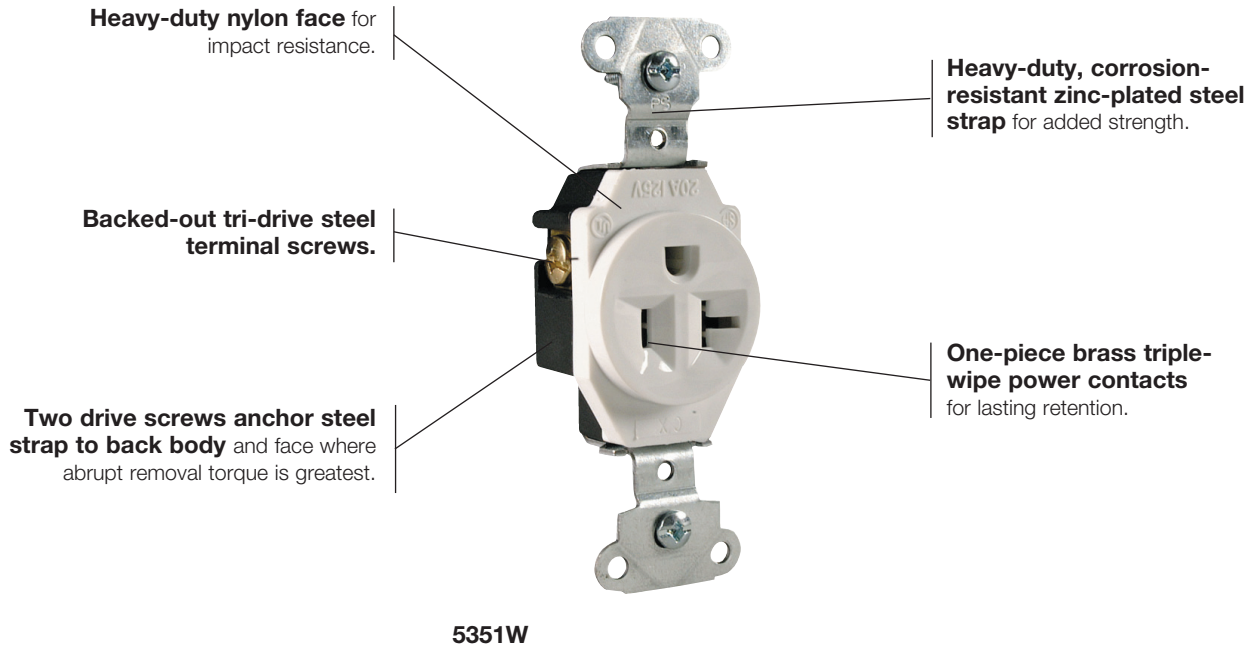
5251, 5351, 5651, 5851

Long-term durability for commercial applications.

Tough nylon faces provide superior impact resistance. And the heavy-gauge steel straps provide added strength for tough applications. These dependable performers feature extra-durable, single-piece, triple-wipe brass power contacts, too.



FEATURES & BENEFITS



FIELD USES/VERTICAL MARKETS

- Retail
- Multiple Dwelling
- Hospitality/Lodging
- Office



PASS & SEYMOUR®

Specification Grade Single Receptacles 15 & 20A, 125, 250V

ORDERING INFORMATION

Catalog Number	Rating		Color*	NEMA Config. No.
	A.	V.		
Single Receptacles Back & Side Wire				
5251I	15	125	Ivory	5-15R
5251W	15	125	White	5-15R
5251	15	125	Brown	5-15R
5251LA	15	125	Light Almond	5-15R
5351I	20	125	Ivory	5-20R
5351W	20	125	White	5-20R
5351	20	125	Brown	5-20R
5351LA	20	125	Light Almond	5-20R
5651I	15	250	Ivory	6-15R
5651W	15	250	White	6-15R
5651	15	250	Brown	6-15R
5651LA	15	250	Light Almond	6-15R
5851I	20	250	Ivory	6-20R
5851W	20	250	White	6-20R
5851	20	250	Brown	6-20R
5851LA	20	250	Light Almond	6-20R

*Other colors available upon request. Please contact your local sales representative.



NEMA
5-15R



NEMA
5-20R



NEMA
6-15R



NEMA
6-20R

For more information on these and other P&S products refer to our Catalog or visit our web site.

PASS & SEYMOUR®

Specification Grade Single Receptacles 15 & 20A, 125, 250V



TECHNICAL SPECIFICATIONS

3rd Party Compliance

UL Listed, File Number E140596, Standard UL498; CSA Certified, Standard CSA-C22.2 No. 42.

Performance

Electrical

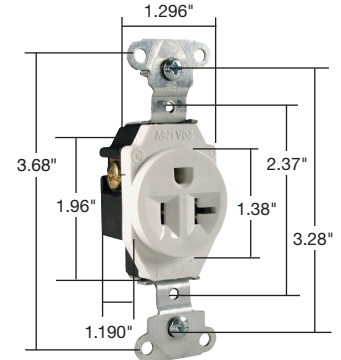
Dielectric Voltage	Withstands 2000V minimum
Maximum Working Voltage	125V / 250V (5851 models)
Current Interrupting	Certified for current interrupting at full-rated current
Temperature Rise	Maximum 30°C temperature rise at full-rated current after 50 cycles of overload at 150% of rated current with direct current

Mechanical

Terminal Identification	Terminal identification in accordance with UL498 (Brass, White, Green)
Terminal Accommodation	#14 - #10 AWG copper conductor only
Product Identification	Ratings are a permanent part of the device

Environmental

Flammability	UL94 V2
--------------	---------



**Dimensions for
15 & 20 Amp**

Materials

Face	Nylon	Terminal Screws	Tri-Drive Brass
Back Body	PVC	Hex Head Grounding Screw	Tri-Drive Zinc
Contacts	.032 (.8) Brass		Plated Steel
Clamping Plate	.080 Steel	Assembly Rivets	Steel
Mounting Strap	.042 Steel	Mounting Screws	Tri-Drive Steel

Warranty

1 Year

For more information on these and other P&S products refer to our Catalog or visit our web site.

ALSO AVAILABLE...

- Hospital Grade Devices
- SPD & Isolated Ground Devices
- Ground Continuity Monitoring (GCM)
- Straight Blade Plugs & Connectors
- Turnlok® Locking Devices
- Weatherproof Boxes & Covers
- IEC 309 Industrial Products
- Flexcor® Wire Mesh Grips



Electrical Wiring Systems

P.O. Box 4822
Syracuse, NY 13221-4822
Phone: 1.800.776.4035
www.legrand.us/passandseymour

570 Applewood Crescent
Vaughan, Ontario L4K 4B4
Phone: 905.738.9195
www.legrand.ca

PASS & SEYMOUR®

Specification Grade Single Receptacles 15 & 20A, 125, 250V

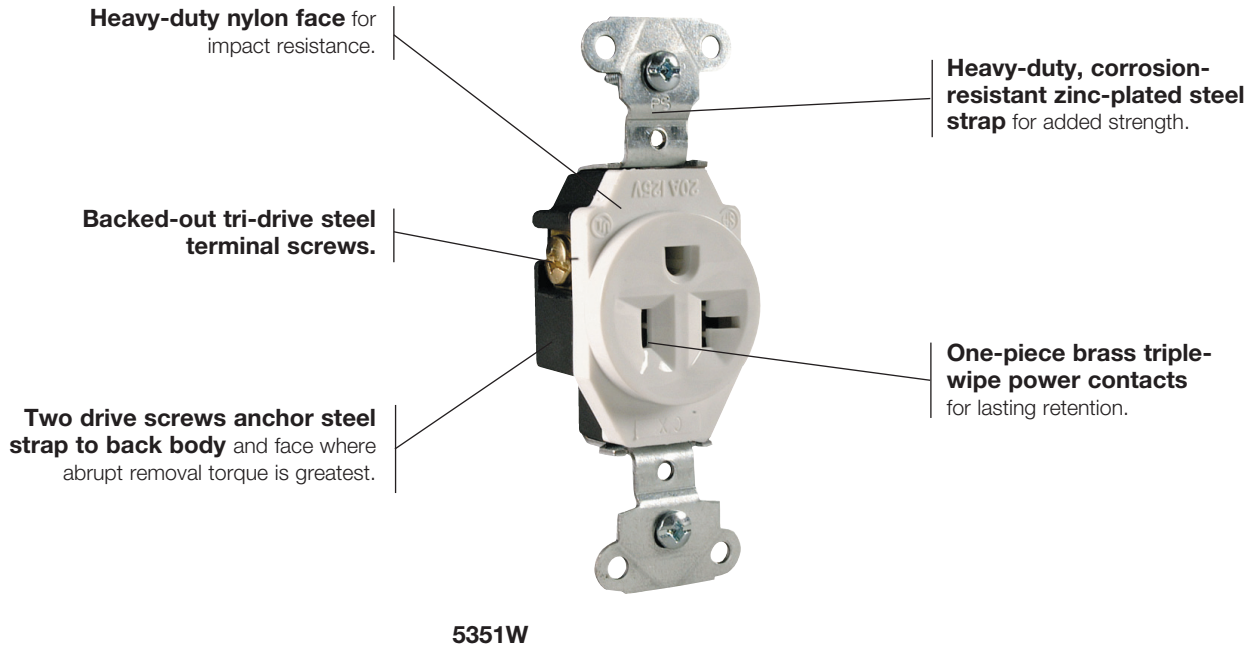
5251, 5351, 5651, 5851

Long-term durability for commercial applications.

Tough nylon faces provide superior impact resistance. And the heavy-gauge steel straps provide added strength for tough applications. These dependable performers feature extra-durable, single-piece, triple-wipe brass power contacts, too.



FEATURES & BENEFITS



FIELD USES/VERTICAL MARKETS

- Retail
- Multiple Dwelling
- Hospitality/Lodging
- Office



PASS & SEYMOUR®

Specification Grade Single Receptacles 15 & 20A, 125, 250V

ORDERING INFORMATION

Catalog Number	Rating		Color*	NEMA Config. No.
	A.	V.		
Single Receptacles Back & Side Wire				
5251I	15	125	Ivory	5-15R
5251W	15	125	White	5-15R
5251	15	125	Brown	5-15R
5251LA	15	125	Light Almond	5-15R
5351I	20	125	Ivory	5-20R
5351W	20	125	White	5-20R
5351	20	125	Brown	5-20R
5351LA	20	125	Light Almond	5-20R
5651I	15	250	Ivory	6-15R
5651W	15	250	White	6-15R
5651	15	250	Brown	6-15R
5651LA	15	250	Light Almond	6-15R
5851I	20	250	Ivory	6-20R
5851W	20	250	White	6-20R
5851	20	250	Brown	6-20R
5851LA	20	250	Light Almond	6-20R

*Other colors available upon request. Please contact your local sales representative.



NEMA
5-15R



NEMA
5-20R



NEMA
6-15R



NEMA
6-20R

For more information on these and other P&S products refer to our Catalog or visit our web site.

PASS & SEYMOUR®

Specification Grade Single Receptacles 15 & 20A, 125, 250V



TECHNICAL SPECIFICATIONS

3rd Party Compliance

UL Listed, File Number E140596, Standard UL498; CSA Certified, Standard CSA-C22.2 No. 42.

Performance

Electrical

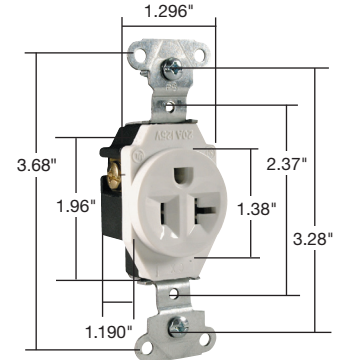
Dielectric Voltage	Withstands 2000V minimum
Maximum Working Voltage	125V / 250V (5851 models)
Current Interrupting	Certified for current interrupting at full-rated current
Temperature Rise	Maximum 30°C temperature rise at full-rated current after 50 cycles of overload at 150% of rated current with direct current

Mechanical

Terminal Identification	Terminal identification in accordance with UL498 (Brass, White, Green)
Terminal Accommodation	#14 - #10 AWG copper conductor only
Product Identification	Ratings are a permanent part of the device

Environmental

Flammability	UL94 V2
--------------	---------



**Dimensions for
15 & 20 Amp**

Materials

Face	Nylon	Terminal Screws	Tri-Drive Brass
Back Body	PVC	Hex Head Grounding Screw	Tri-Drive Zinc Plated Steel
Contacts	.032 (.8) Brass	Assembly Rivets	Steel
Clamping Plate	.080 Steel	Mounting Screws	Tri-Drive Steel
Mounting Strap	.042 Steel		

Warranty

1 Year

For more information on these and other P&S products refer to our Catalog or visit our web site.

ALSO AVAILABLE...

- Hospital Grade Devices
- Ground Continuity Monitoring (GCM)
- Turnlok® Locking Devices
- IEC 309 Industrial Products
- SPD & Isolated Ground Devices
- Straight Blade Plugs & Connectors
- Weatherproof Boxes & Covers
- Flexcor® Wire Mesh Grips



Electrical Wiring Systems

P.O. Box 4822
Syracuse, NY 13221-4822
Phone: 1.800.776.4035
www.legrand.us/passandseymour

570 Applewood Crescent
Vaughan, Ontario L4K 4B4
Phone: 905.738.9195
www.legrand.ca