

Liquid Tight Connectors

Catalog Number: PR5332

UPC: 784011208418

Description

1/2 Inch Straight LT Connector

PVC coated liquid tight connectors are used with liquid tight conduit to wire motors, transformers, processing equipment, pumps, etc. The flexible conduit and the PVC coated connector work together to seal out water and other corrosive liquids, protecting the conductors from damage.

Application

- Used with liquid tight conduit to wire motors, transformers, processing equipment, pumps, and more.

Features

- 40 mil gray PVC exterior coating
- 2 mil red urethane interior coating
- 13 trade sizes from 3/8" through 6"
- Sealing sleeves on all conduit openings
- Available in straight, 45° or 90° body configurations
- Available with an external grounding lug

General

Material:	FERROUS METAL
Exterior Finish:	A nominal .040 inch (40 mil) gray PVC coating
Interior Finish:	A nominal .002 inch (2 mil) red urethane
Configuration:	STRAIGHT

Dimensions

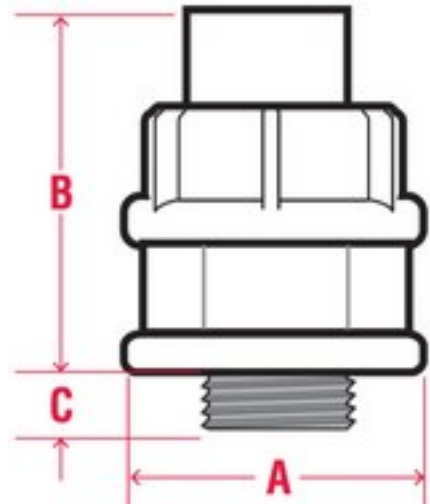
Dimension A (Inches)	1.46
Dimension B (Inches)	1.56
Dimension C (Inches)	0.56
Nominal Weight (Pounds)	0.2

Technical / Specification Documents

Specification Guide (1995 Master)	AVAILABLE ON WEBSITE
Specification Guide (2004 Master)	AVAILABLE ON WEBSITE
Installer Certification and Tools	AVAILABLE ON WEBSITE
Chemical Resistance Charts	AVAILABLE ON WEBSITE
Performance Specifications	AVAILABLE ON WEBSITE

Standards

UL 514B (Steel fittings only):	E200413
UL 467 (Steel Fittings only):	E217890
ETL PVC-001 Verified:	3072346-004



Liquid Tight Connectors

Catalog Number: PR5332

UPC: 784011208418

Description

1/2 Inch Straight LT Connector

PVC coated liquid tight connectors are used with liquid tight conduit to wire motors, transformers, processing equipment, pumps, etc. The flexible conduit and the PVC coated connector work together to seal out water and other corrosive liquids, protecting the conductors from damage.

Application

- Used with liquid tight conduit to wire motors, transformers, processing equipment, pumps, and more.

Features

- 40 mil gray PVC exterior coating
- 2 mil red urethane interior coating
- 13 trade sizes from 3/8" through 6"
- Sealing sleeves on all conduit openings
- Available in straight, 45° or 90° body configurations
- Available with an external grounding lug

General

Material:	FERROUS METAL
Exterior Finish:	A nominal .040 inch (40 mil) gray PVC coating
Interior Finish:	A nominal .002 inch (2 mil) red urethane
Configuration:	STRAIGHT

Dimensions

Dimension A (Inches)	1.46
Dimension B (Inches)	1.56
Dimension C (Inches)	0.56
Nominal Weight (Pounds)	0.2

Technical / Specification Documents

Specification Guide (1995 Master)	AVAILABLE ON WEBSITE
Specification Guide (2004 Master)	AVAILABLE ON WEBSITE
Installer Certification and Tools	AVAILABLE ON WEBSITE
Chemical Resistance Charts	AVAILABLE ON WEBSITE
Performance Specifications	AVAILABLE ON WEBSITE

Standards

UL 514B (Steel fittings only):	E200413
UL 467 (Steel Fittings only):	E217890
ETL PVC-001 Verified:	3072346-004

