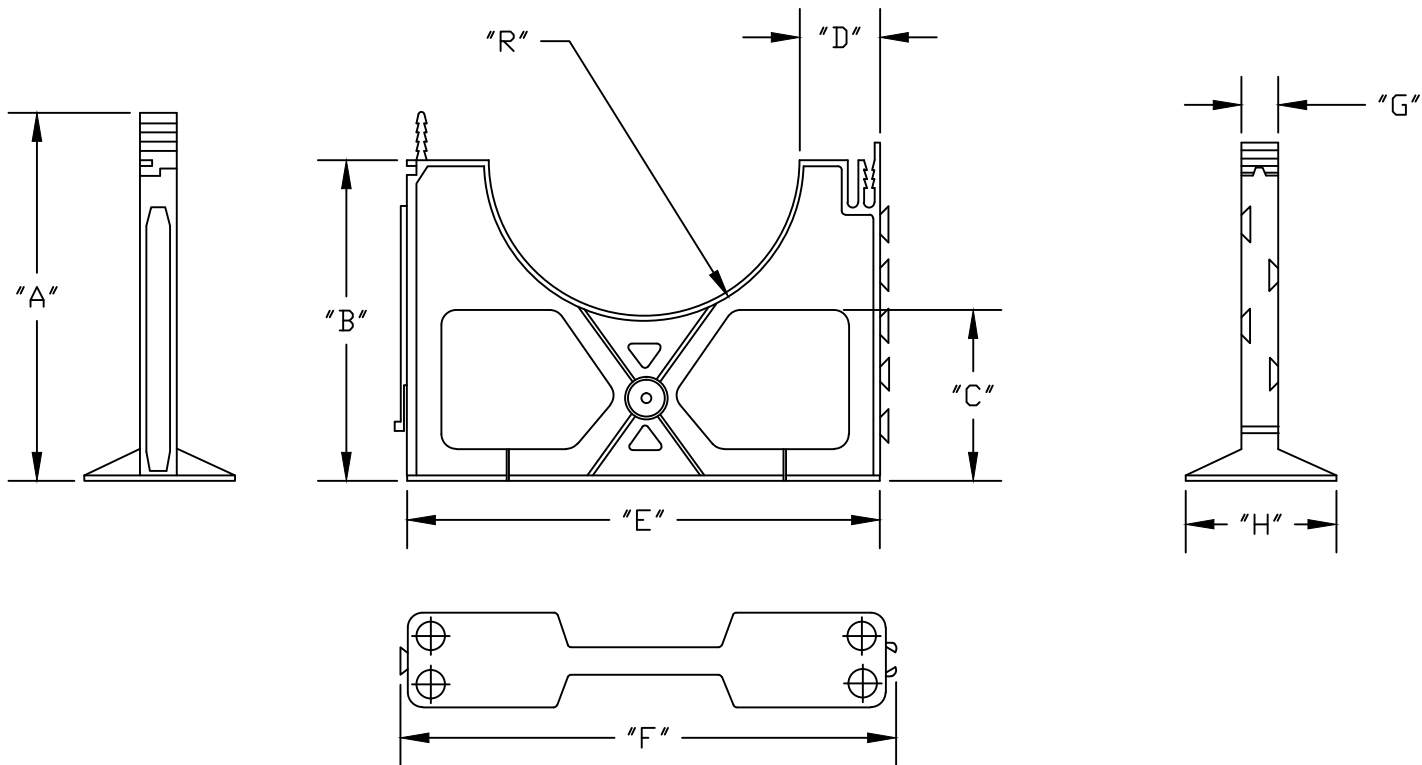


| PART NUMBER | SIZE        | "A"     | "B"    | "C" | "D"    | "E"    | "F"    | "G" | "H" | "R"      |
|-------------|-------------|---------|--------|-----|--------|--------|--------|-----|-----|----------|
| 5335963     | 3" X 1 1/2" | 5 1/2"  | 4 3/4" | 3"  | 3/4"   | 5 1/8" | 5 3/8" | 1"  | 3"  | 1 13/16" |
| 5335964     | 3" X 2"     | 5 1/2"  | 4 3/4" | 3"  | 1"     | 5 5/8" | 5 7/8" | 1"  | 3"  | 1 13/16" |
| 5335975     | 3" X 3"     | 5 7/16" | 4 3/4" | 3"  | 1 1/2" | 6 5/8" | 6 7/8" | 1"  | 3"  | 1 13/16" |

Material is Polystyrene  
Recommended spacing is 5 to 8 feet



Patents: US 7,828,251 B2 , US D556,030 S , US D558,559 S

|  |               |      |
|--|---------------|------|
| <b>CANTEX</b><br>INC.<br>Fort Worth, TEXAS         |               |      |
| <b>3" Base Spacers</b><br>Plastic Spacers for Duct |               |      |
| Drawn By: CD Branch                                | Date:02/15/08 | Ref. |