



Catalog Number: 543214-TC3R-SP1
Item Description: N3R TELEPHONE CAB SPC
UPC Code: 784572491595

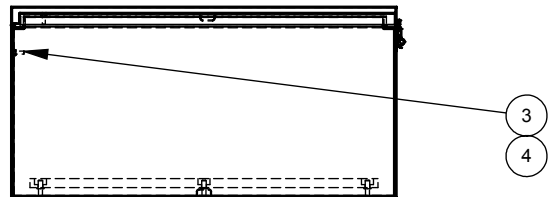
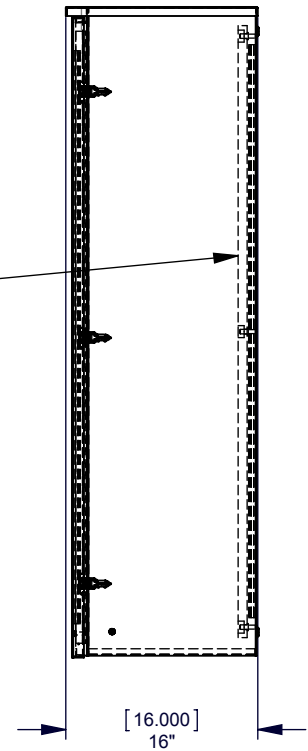
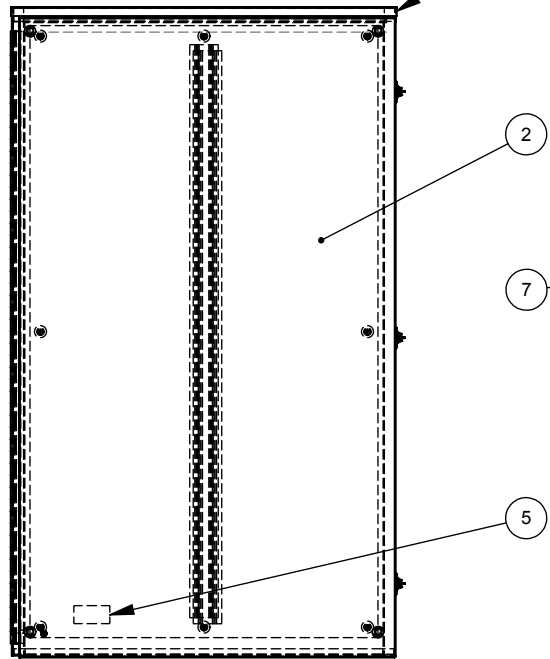
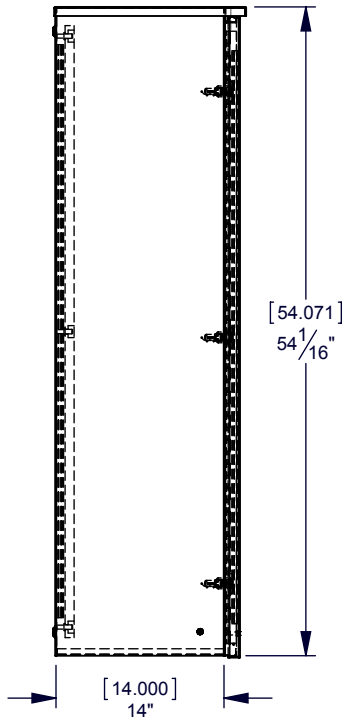
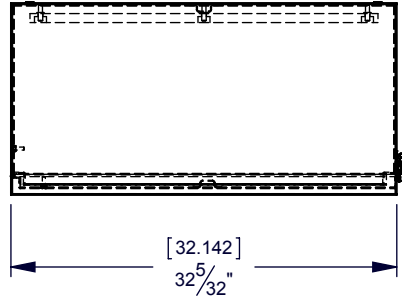
Brand Name: Milbank
Type: Telephone Cabinet
Special Features: Pad Locking Draw Latch Installed, Steel Back Panel Installed, Continuous Hinge
Application: Outdoor Telephone Cabinet
Standard: UL Listed, Type 3R
Number Of Outlet: 0
Door: Single Door
Material: Steel with Powder Coat Finish
Cable Entry: No Knockouts
Color: ANSI 61 Gray
Mounting: Wall Mount



Utility requirements may vary. Always consult the serving utility for their requirements prior to ordering or installing this equipment. This product must always be installed by a licensed electrician. Installation of this equipment may require local electrical inspector approval.

ROI #	CATALOG #
1175364	543214-TC3R-WB
1131056	543214-TC3R-SP1


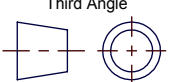
ITEM NO.	QTY.	PART NUMBER	DESCRIPTION
1	1	1176388	BACK WELDMENT
2	1	1176399	FRONT WELDMENT
3	2	1122966	PEM STUD 1/4-20 x 1, SS
4	2	1047116	NUT, HEX 1/4-20 W/SEMS
5	1	1003115	LABEL (UL)
6	2	1002169	BAG ASSY (NOT SHOWN)
7	1	1175833	3/4"X29"X51" WOOD BOARD
8	1	1176415	CARTON(NOT SHOWN)



NOTES:


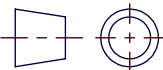
1.) BAG ASSYS 1002169 TO BE SHIPPED INSIDE OF ENCLOSURE.

REV.	DATE	DESCRIPTION	ECO No.	BY
**	05/22/15	FIRST RELEASE	30066	AJS
A	07/14/15	RESIZE CORNER CUTOUTS ON BOTTOM	032469	AJS
B	8/12/15	DELETE 1001273; ADD 1002169	032463	DEF

Material: 14 GA. GALV. STEEL		 KANSAS CITY, MO USA
Shear/Die No.:		
Finish:	MILBANK LIGHT GRAY	Title: TELEPHONE CABINET
Part Wt.:		
Paint Qty.:		Catalog No.: 543214-TC3R-WB
Tolerances: Unless Specified Otherwise X.X ±.1 X.XX ±.03 X.XXX ±.015 X" ±2"		Customer:
Third Angle 		Drawing No.: 1175364
Scale:	NTS	Date: 05/22/15
Checked By:		Sheet: 1 of 2
Drawn By:	AS	Approved By:

REV.	DATE	DESCRIPTION	ECO No.	BY
**	05/22/15	FIRST RELEASE	30066	AJS
A	07/14/15	RESIZE CORNER CUTOUTS ON BOTTOM	032469	AJS
B	8/12/15	DELETE 1001273; ADD 1002169	032463	DEF

SEE DRAWING 1167313 FOR MILBANK WELDING GUIDELINES.

Material:			 <p>KANSAS CITY, MO USA</p>
Shear/Die No.:			
Finish:			Title:
Part Wt.:	LBS. EA.		
Paint Qty.:	GRAMS		Catalog No.:
Tolerances: Unless Specified Otherwise X.X ±.1 X.XX ±.03 X.XXX ±.015 X" ±2"		Third Angle 	Customer:
Scale:	NTS	Checked By:	Drawing No.:
Drawn By:	AS	Approved By:	Date: 05/22/15
			Sheet: 2 of 2

1175364



Catalog Number: 543214-TC3R-SP1
Item Description: N3R TELEPHONE CAB SPC
UPC Code: 784572491595

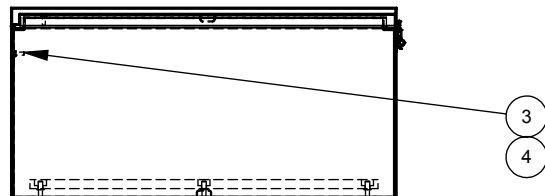
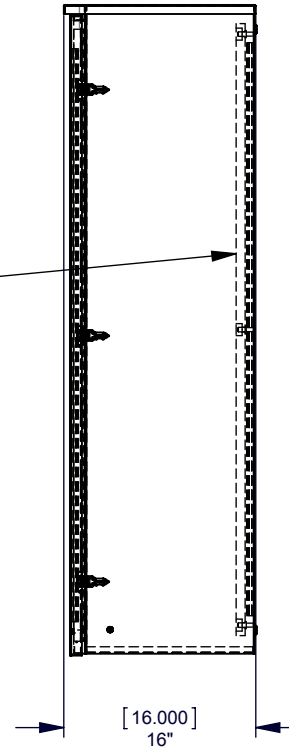
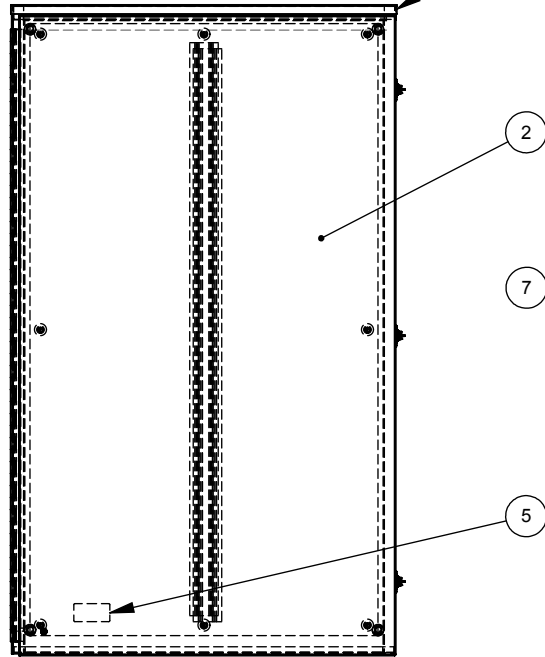
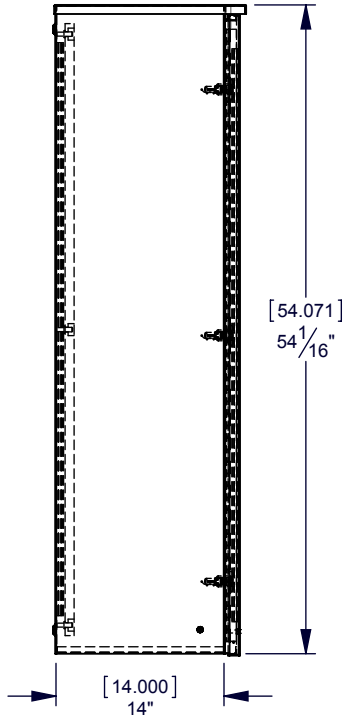
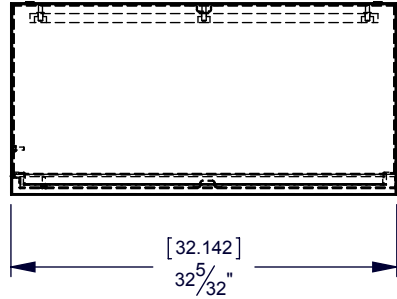
Brand Name: Milbank
Type: Telephone Cabinet
Special Features: Pad Locking Draw Latch Installed, Steel Back Panel Installed, Continuous Hinge
Application: Outdoor Telephone Cabinet
Standard: UL Listed, Type 3R
Number Of Outlet: 0
Door: Single Door
Material: Steel with Powder Coat Finish
Cable Entry: No Knockouts
Color: ANSI 61 Gray
Mounting: Wall Mount



Utility requirements may vary. Always consult the serving utility for their requirements prior to ordering or installing this equipment. This product must always be installed by a licensed electrician. Installation of this equipment may require local electrical inspector approval.

ROI #	CATALOG #
1175364	543214-TC3R-WB
1131056	543214-TC3R-SP1


ITEM NO.	QTY.	PART NUMBER	DESCRIPTION
1	1	1176388	BACK WELDMENT
2	1	1176399	FRONT WELDMENT
3	2	1122966	PEM STUD 1/4-20 x 1, SS
4	2	1047116	NUT, HEX 1/4-20 W/SEMS
5	1	1003115	LABEL (UL)
6	2	1002169	BAG ASSY (NOT SHOWN)
7	1	1175833	3/4"X29"X51" WOOD BOARD
8	1	1176415	CARTON(NOT SHOWN)



NOTES:


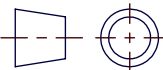
1.) BAG ASSYS 1002169 TO BE SHIPPED INSIDE OF ENCLOSURE.

REV.	DATE	DESCRIPTION	ECO No.	BY
**	05/22/15	FIRST RELEASE	30066	AJS
A	07/14/15	RESIZE CORNER CUTOUTS ON BOTTOM	032469	AJS
B	8/12/15	DELETE 1001273; ADD 1002169	032463	DEF

Material: 14 GA. GALV. STEEL		 <p>KANSAS CITY, MO USA</p>
Shear/Die No.:		
Finish:	MILBANK LIGHT GRAY	Title: TELEPHONE CABINET
Part Wt.:		
Paint Qty.:		LBS. EA. GRAMS
Tolerances: Unless Specified Otherwise X.X ±.1 X.XX ±.03 X.XXX ±.015 X" ±.2"		Third Angle
Scale:	NTS	Checked By:
Drawn By:	AS	Approved By:
Catalog No.: 543214-TC3R-WB		Drawing No.: 1175364
Customer:		
Date:	05/22/15	Sheet: 1 of 2

REV.	DATE	DESCRIPTION	ECO No.	BY
**	05/22/15	FIRST RELEASE	30066	AJS
A	07/14/15	RESIZE CORNER CUTOUTS ON BOTTOM	032469	AJS
B	8/12/15	DELETE 1001273; ADD 1002169	032463	DEF

SEE DRAWING 1167313 FOR MILBANK WELDING GUIDELINES.

Material:			 <p>KANSAS CITY, MO USA</p>
Shear/Die No.:			
Finish:			Title:
Part Wt.:	LBS. EA.		
Paint Qty.:	GRAMS		Catalog No.:
Tolerances: Unless Specified Otherwise X.X ±.1 X.XX ±.03 X.XXX ±.015 X" ±2"		Third Angle 	Customer:
Scale:	NTS	Checked By:	Drawing No.:
Drawn By:	AS	Approved By:	Date: 05/22/15
			Sheet: 2 of 2

1175364