

WIREMOLD

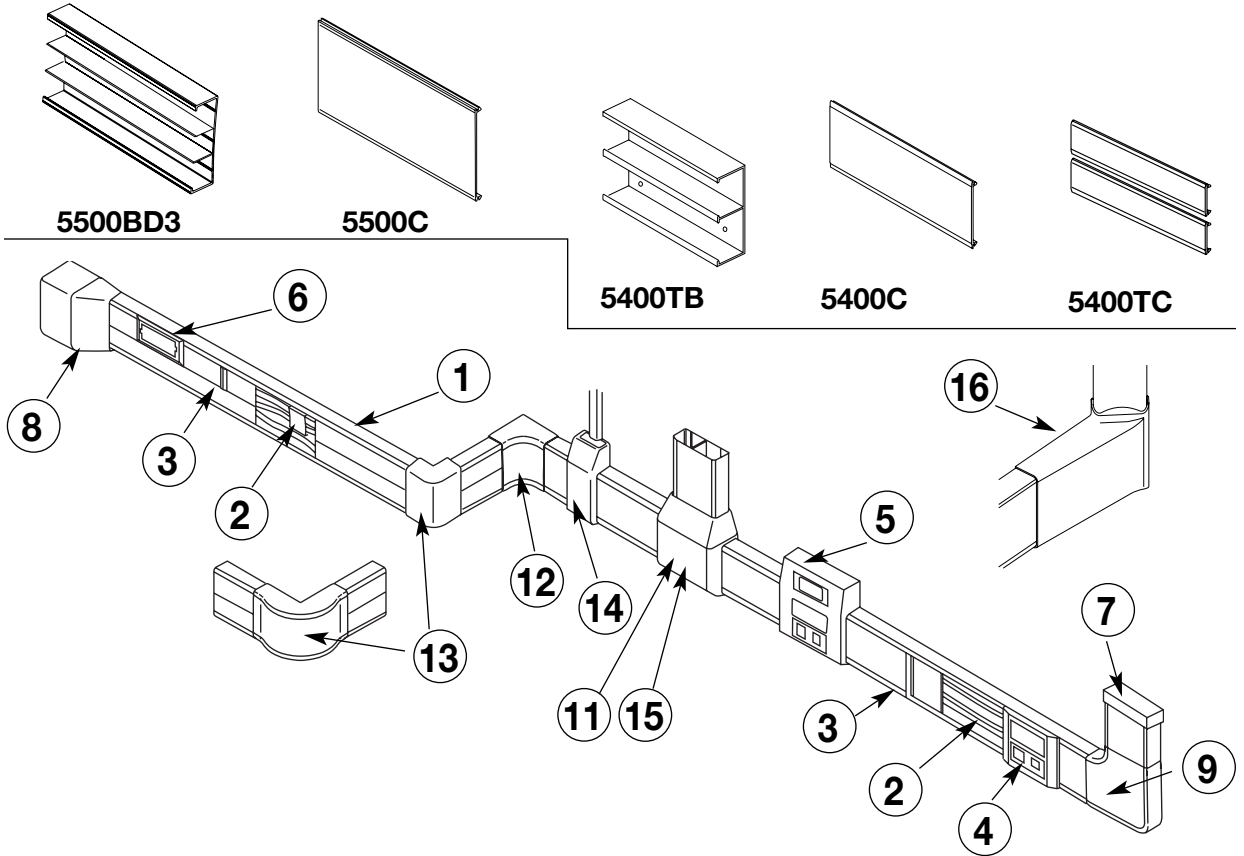


5500 and 5400 Series Surface Nonmetallic Raceway Systems INSTALLATION INSTRUCTIONS

Installation Instruction No.: 41590R5 - Updated July 2005

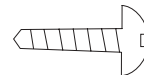
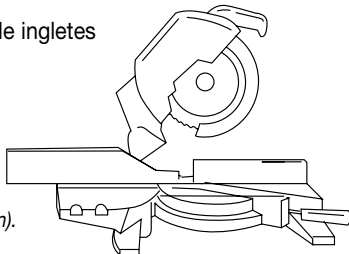
Wiremold Electrical Systems conform to and should be installed and properly grounded in compliance with requirements of the current National Electrical Code, Canadian Electrical Code or codes administered by local authorities.

All electrical products may represent possible shock or fire hazard if improperly installed or used. Wiremold electrical products are UL listed. Made for interior use only and should be installed in conformance with current local and/or the National Electrical Code.



Recommended Cutting Tools & Fasteners* Herramientas de corte y sujetadores recomendados** Outil de coupe et attaches recommandés***

Miter Saw
Use una sierra de ingletes
Scie à onglet



Use a #8 [5/16", 7.9mm Head Size] Pan Head Screw or equivalent.
Use un tornillo de cabeza redonda N° 8 (con cabeza de 7.9mm [5/16"] o equivalente).

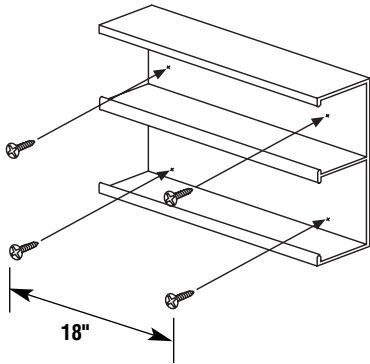
Utilisez une vis BER n°8 (tête de 7,9mm [5/16 po]) ou équivalent.

* Not supplied.

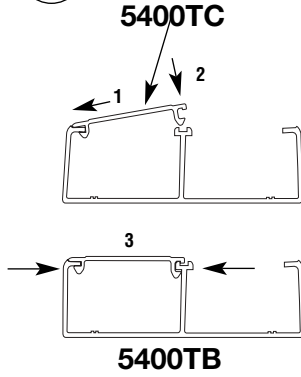
** No se incluye(n).

*** Non fournis.

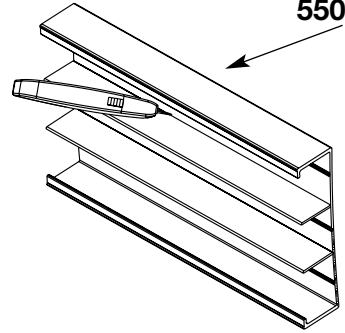
1a 5500BD3
5400TB



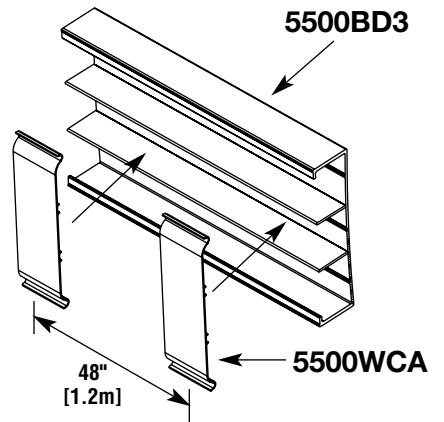
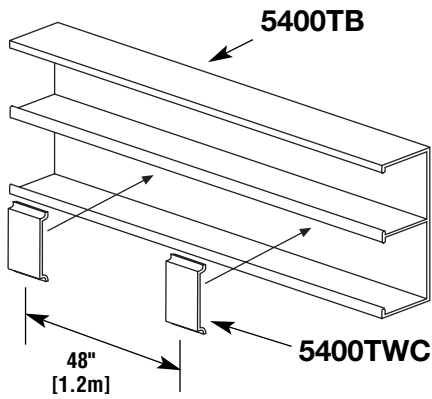
1b 5400TC
5400TB



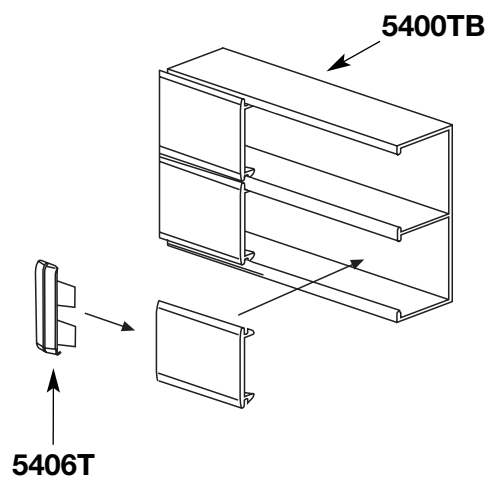
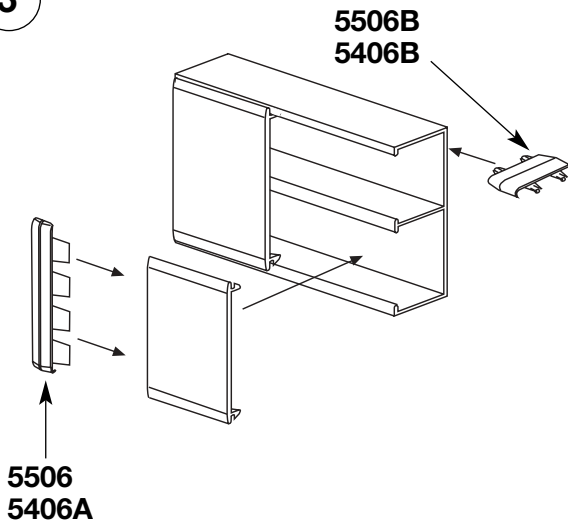
1c 5500BD3



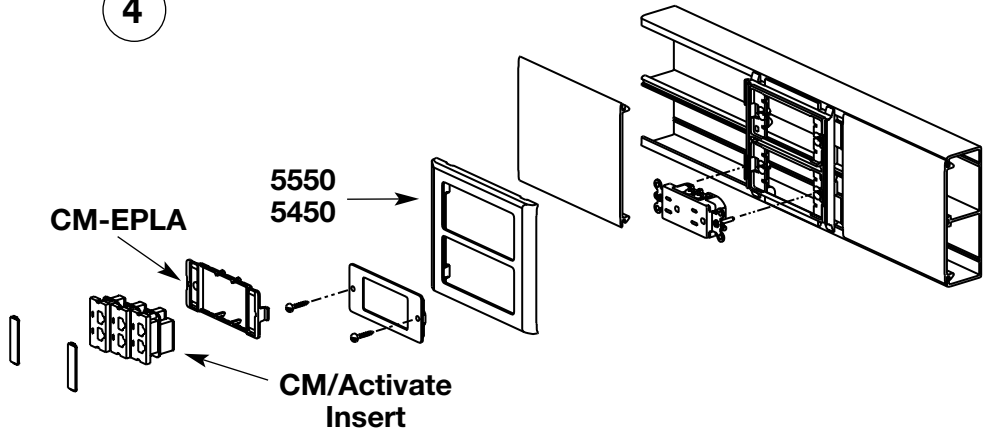
2



3

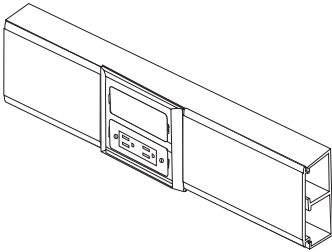


4

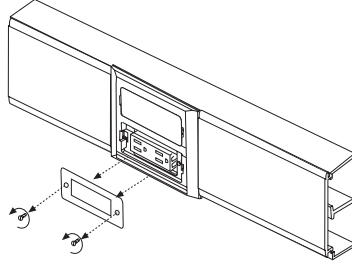


Disassembly Desarme Démontez

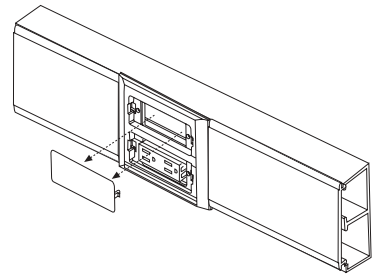
A.



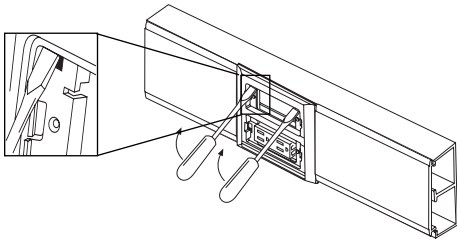
B.



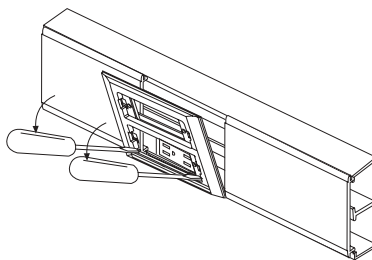
C.



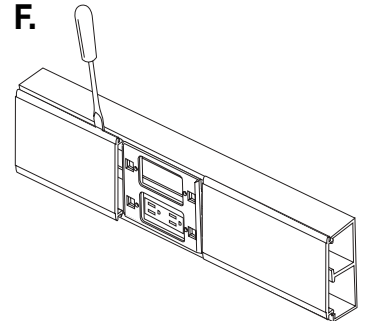
D.



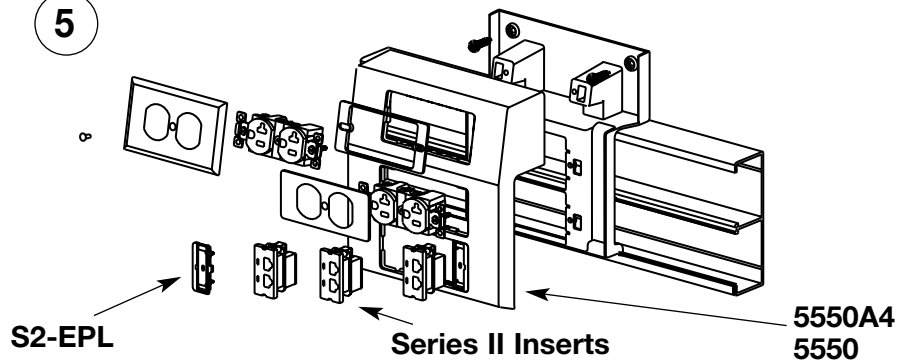
E.



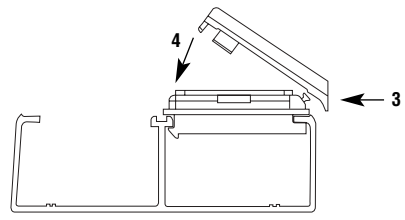
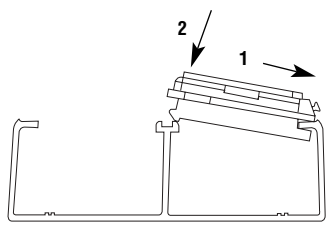
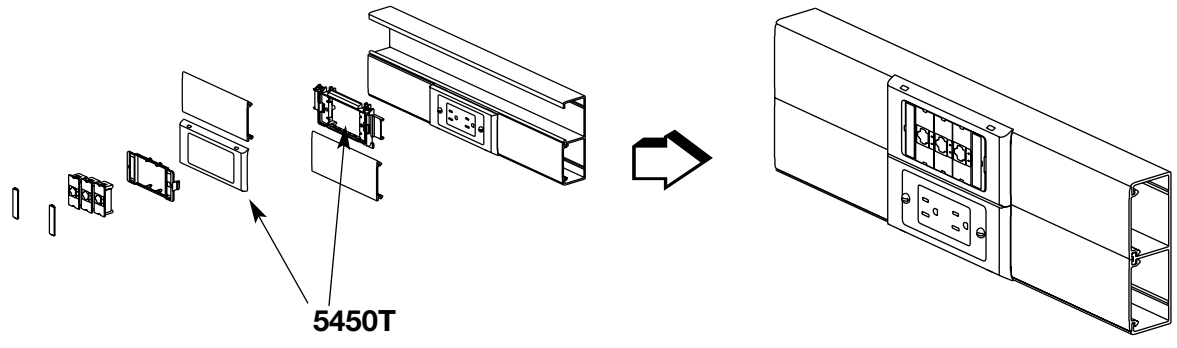
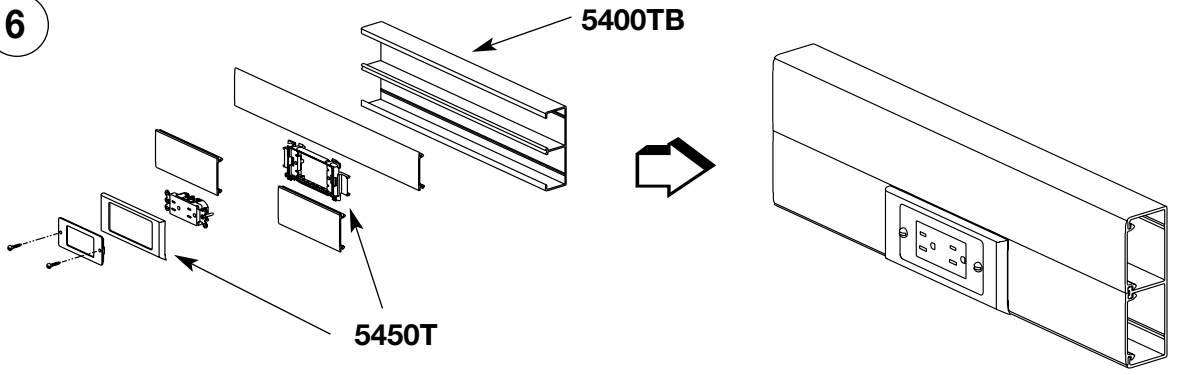
F.



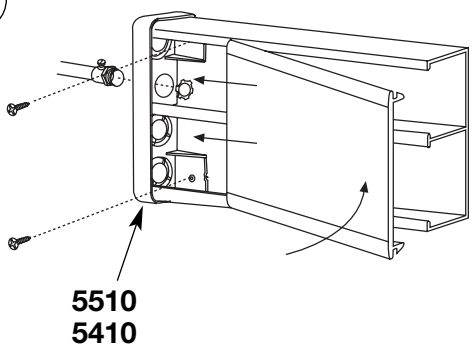
5



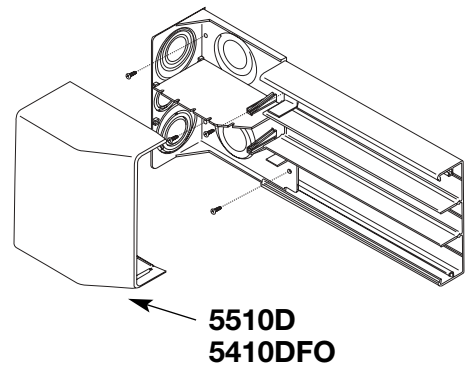
6



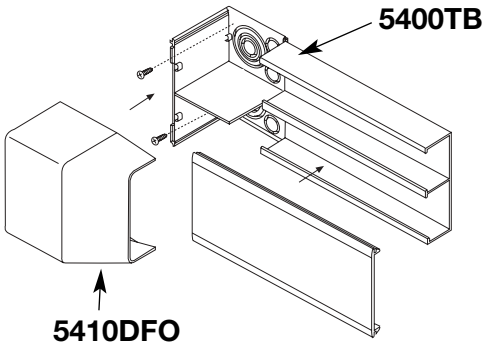
7



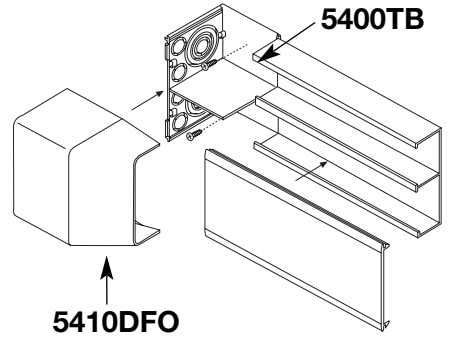
8a



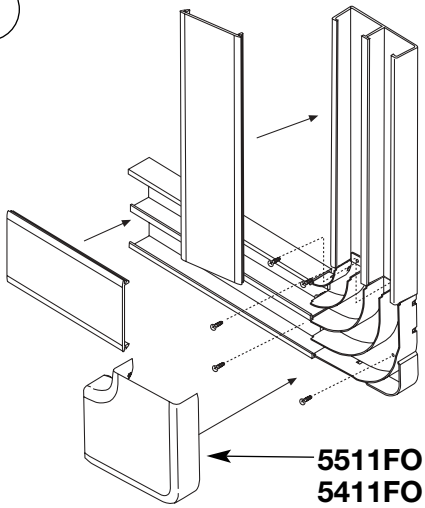
8b



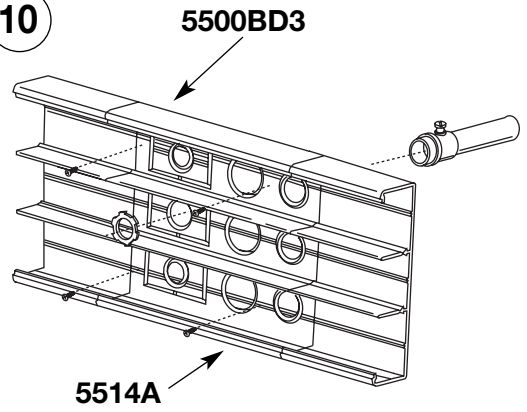
8c



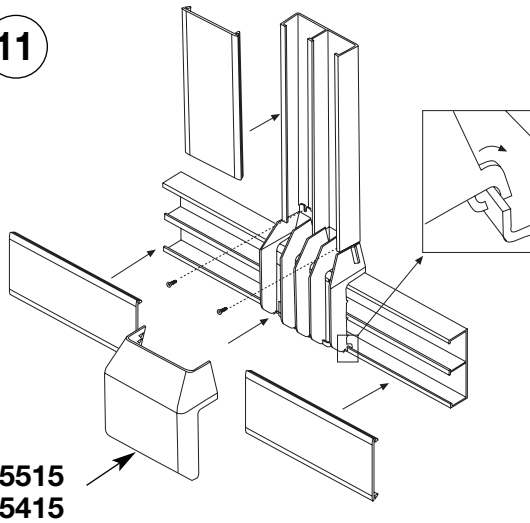
9



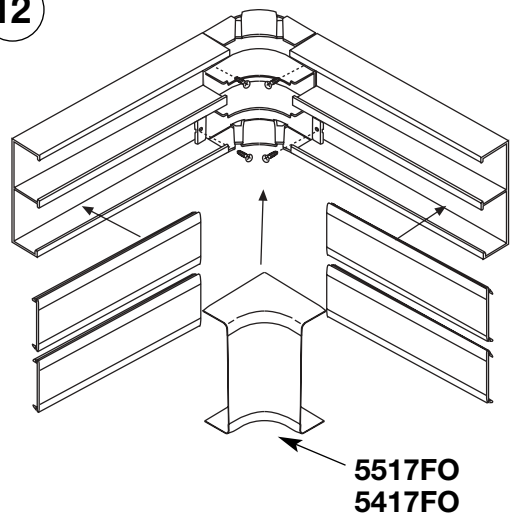
10



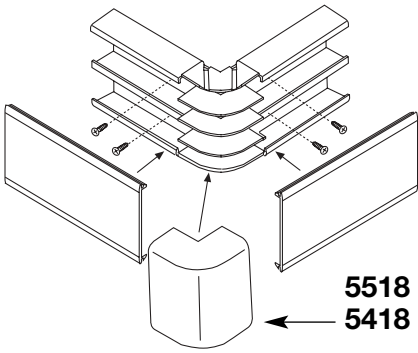
11



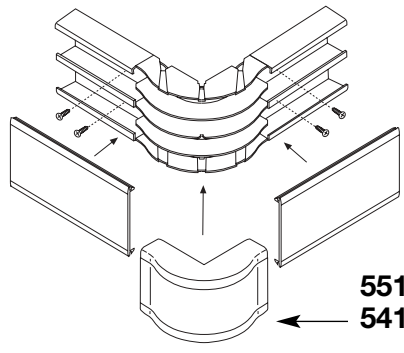
12



13

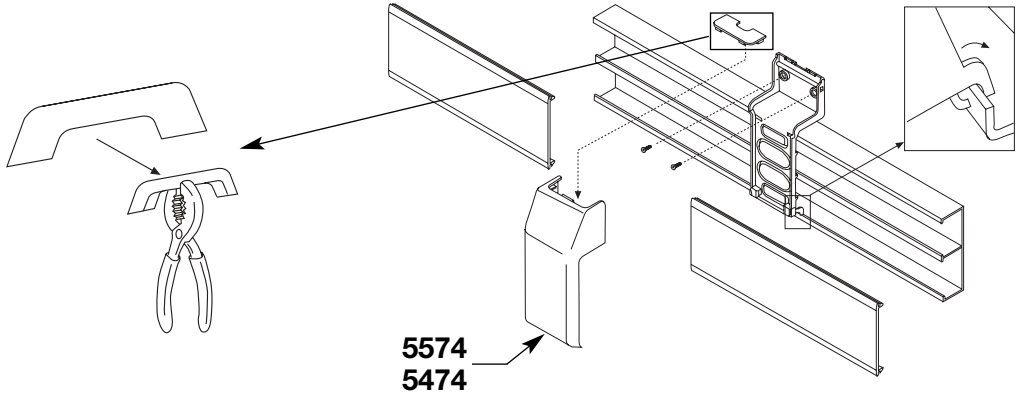


5518
5418



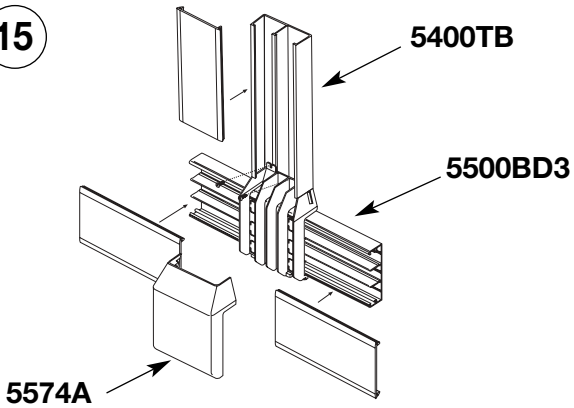
5518FO
5418FO

14



5574
5474

15

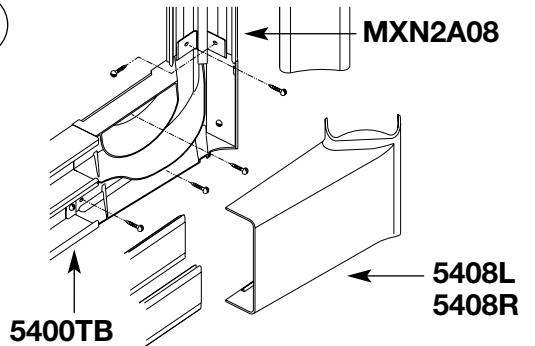


5400TB

5500BD3

5574A

16



MXN2A08

5400TB

5408L
5408R

MXN2 WIRE FILL CAPACITIES FOR POWER

WIRE SIZE THHN/ THWN	NUMBER OF CONDUCTORS	
	Single Channel	Max. (Both Channels)
14 AWG	19	25
12 AWG	17	39
10 AWG	16	21
8 AWG	6	18
6 AWG	5	6

5500 RACEWAY WIRE FILL CAPACITIES FOR COMMUNICATION*

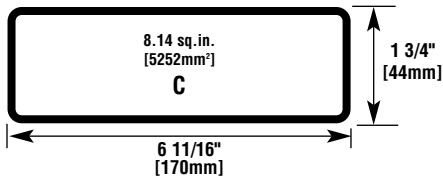
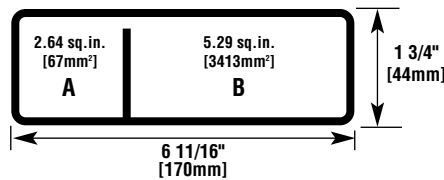
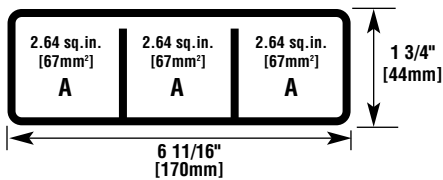
	CABLE/WIRE SIZE	O.D. (Approx. Dia.)		20% FILL*			40% FILL**		
		Inches	[mm]	A	B	C	A	B	C
UNSHIELDED TWISTED PAIR	4-pair, 24 AWG, Cat 3	0.190	[4.8]	57	18	35	114	37	71
	4-pair, 24 AWG, Cat 5e	0.210	[5.3]	47	15	29	94	30	58
	4-pair, 24 AWG, Cat 6	0.250	[6.3]	33	10	20	66	21	41
TELEPHONE	2-pair, 24 AWG	0.140	[3.6]	105	34	65	211	68	131
	3-pair, 24 AWG	0.150	[3.8]	92	29	57	184	59	114
	4-pair, 24 AWG	0.190	[4.8]	57	18	35	114	37	71
	25-pair, 24 AWG	0.410	[10.4]	12	4	7	24	8	15
COAXIAL	RG58/U	0.195	[5.0]	54	17	33	109	35	67
	RG59/U	0.242	[6.1]	35	11	22	70	22	44
	RG62/U	0.242	[6.1]	35	11	22	70	22	44
	RG6/U	0.270	[6.9]	28	9	17	56	18	35
TWINAXIAL	100 Ohm	0.330	[8.4]	19	6	11	38	12	23
SHIELDED TWISTED PAIR	TYPE 1	0.390	[9.9]	13	4	8	27	8	16
	TYPE 2	0.465	[11.8]	9	3	5	19	6	11
	TYPE 3	0.245	[6.2]	34	11	21	69	22	42
FIBER	Mini ZipCord	0.079 x 0.157	[2 x 4]	131	42	81	262	85	163
	ZipCord	0.118 x 0.236	[3 x 6]	58	18	36	117	37	72
	Round 4 Strand Fiber	0.187	[4.8]	59	19	36	118	38	73
	Round 6 Strand Fiber	0.256	[6.5]	31	30	19	63	20	39

* 20% cable fill is calculated to approximate reduction in cable capacity due to connectors mounted within raceway and fittings that may restrict cross sectional area.

** 40% cable fill is the maximum designed cable fill based on a proposed revision to TIA/EIA 569-A.

5500 RACEWAY WIRE FILL CAPACITIES FOR POWER

	WIRE SIZE THHN/THWN	O.D. (Approx. Dia.)		NO. OF CONDUCTORS		
		Inches	[mm]	COMP. A	COMP. B	COMP. C
POWER WIRING WITHOUT DEVICES	14 AWG	0.111	[2.8]	64	41	50
	12 AWG	0.130	[3.3]	60	25	44
	10 AWG	0.164	[4.2]	90	46	70
	8 AWG	0.216	[5.5]	65	18	40
	6 AWG	0.254	[6.5]	45	15	34
POWER WIRING WITH DEVICES	14 AWG	0.111	[2.8]	64	35	50
	12 AWG	0.130	[3.3]	60	25	44
	10 AWG	0.164	[4.2]	90	16	70
	8 AWG	0.216	[5.5]	65	8	36
	6 AWG	0.254	[6.5]	45	5	25



**Total Raceway capacity (C) is
8.14 sq. in. [5252mm²]**

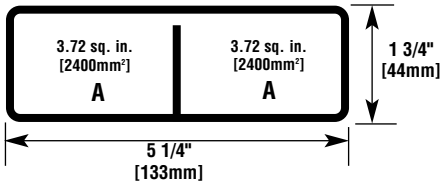


5400 RACEWAY WIRE FILL CAPACITIES FOR COMMUNICATIONS

	CABLE/WIRE SIZE	O.D. (Approx. Dia.)		20% FILL*	40% FILL**
		Inches	[mm]	A	A
UNSHIELDED TWISTED PAIR	4-pair, 24 AWG, Cat 3	0.190	[4.8]	26	52
	4-pair, 24 AWG, Cat 5e	0.210	[5.3]	21	42
	4-pair, 24 AWG, Cat 6	0.250	[6.3]	15	30
TELEPHONE	2-pair, 24 AWG	0.140	[3.6]	48	96
	3-pair, 24 AWG	0.150	[3.8]	42	84
	4-pair, 24 AWG	0.190	[4.8]	26	52
	25-pair, 24 AWG	0.410	[10.4]	5	11
COAXIAL	RG58/U	0.195	[5.0]	24	48
	RG59/U	0.242	[6.1]	16	32
	RG62/U	0.242	[6.1]	16	32
	RG6/U	0.270	[6.9]	13	26
TWINAXIAL	100 Ohm	0.330	[8.4]	8	17
SHIELDED TWISTED PAIR	TYPE 1	0.390	[9.9]	6	12
	TYPE 2	0.465	[11.8]	4	8
	TYPE 3	0.245	[6.2]	15	31
FIBER	Mini ZipCord	0.079 x 0.157	[2 x 4]	60	120
	ZipCord	0.118 x 0.236	[3 x 6]	26	53
	Round 4 Strand Fiber	0.187	[4.8]	27	54
	Round 6 Strand Fiber	0.256	[6.5]	14	28

* 20% cable fill is calculated to approximate reduction in cable capacity due to connectors mounted within raceway and fittings that may restrict cross sectional area.

** 40% cable fill is the maximum designed cable fill based on a proposed revision to TIA/EIA 569-A.



1/2 Raceway Area = A, total raceway area undivided = B.
Total Raceway capacity (B) is 7.31 sq. in. [4716mm²]

5400 RACEWAY WIRE FILL CAPACITIES FOR POWER

	WIRE SIZE THHN/THWN	O.D. (Approx. Dia.) Inches [mm]	NO. OF CONDUCTORS COMP. A
POWER WIRING WITHOUT DEVICES	14 AWG	0.111 [2.8]	50
	12 AWG	0.130 [3.3]	34
	10 AWG	0.164 [4.2]	60
	8 AWG	0.216 [5.5]	21
	6 AWG	0.254 [6.5]	19
POWER WIRING WITH DEVICES	14 AWG	0.111 [2.8]	50
	12 AWG	0.130 [3.3]	34
	10 AWG	0.164 [4.2]	60
	8 AWG	0.216 [5.5]	21
	6 AWG	0.254 [6.5]	19

* Total Raceway wire capacity can not exceed capacity specified in B.



WIREMOLD



Wiremold / Legrand

U.S. and International:

60 Woodlawn Street • West Hartford, CT 06110

1-800-621-0049 • FAX 860-232-2062 • Outside U.S. 860-233-6251

Canada:

570 Applewood Crescent • Vaughan, Ontario L4K 4B4

1-800-723-5175 • FAX 905-738-9721

