



Eaton 5P rackmount UPS

Enterprise class battery backup for network closets and small data centers

Flexibility: The Eaton® 5P is available in space saving 1U and 2U rackmount configurations.

Efficiency: The 5P provides industry leading efficiency of up to 99 percent.

Manageability:

- **UPS management:** By integrating Eaton's Intelligent Power Manager® Software you can monitor and manage the power devices on your network.
- **Energy metering:** The 5P meters energy consumption at the UPS level.

LCD display: Eaton's next-generation LCD offers a graphical interface which provides all critical UPS information in a single screen view.

More power: The 5P protects more devices by providing 20 percent more wattage compared to traditional UPSs.

Battery life: Eaton's exclusive ABM® technology increases battery service life by 50 percent.

Intelligent Power Manager Software

By integrating software with the Eaton 5P, you can:

- Seamlessly integrate with VMware's vCenter Server™ virtualization management solution, as well as virtualization platforms such as Citrix® XenServer, Microsoft SCVMM™, Red Hat® and other Xen® open source platforms
- Initiate live migration of virtual machines (VM) to automatically and transparently migrate VMs during power disruptions to unaffected devices with systems such as VMware vMotion™ and Microsoft Live Migration
- Execute graceful shutdown of computers and virtual machines/servers during an extended power outage

To learn more, please visit: Eaton.com/intelligentpower

Services and support

Eaton provides product support 24 hours a day, 7 days a week. From battery replacement to full UPS service plans, Eaton has one of the top service models in the industry.

Three-year warranty

The 5P warranty covers both the UPS and the batteries for three years. No other manufacturer in the industry offers as comprehensive a warranty.



5P RACKMOUNT MODEL SELECTION GUIDE*

| Catalog number | Rating (VA/watts) | Input connection | Output receptacles | Dimensions (H x W x D), in | Net weight, lb |
|---|-------------------|------------------|-----------------------|----------------------------|----------------|
| 2U Rackmount, 120V, 50/60 Hz models** | | | | | |
| 5P1500RT | 1440/1440 | 5-15P | (8) 5-15R | 3.4 (2U) x 17.4 x 20.6 | 65.0 |
| 5P2200RT | 1950/1920 | 5-20P | (8) 5-15R | 3.4 (2U) x 17.4 x 20.6 | 65.0 |
| 5P3000RT | 3000/2700 | L5-30P | (6) 5-20R, (1) L5-30R | 3.4 (2U) x 17.4 x 25.5 | 87.0 |
| 1U Rackmount, 120V, 50/60 Hz models | | | | | |
| 5P550R | 550/420 | 5-15P | (5) 5-15R | 1.7 (1U) x 17.2 x 14.3 | 17.8 |
| 5P750R | 750/600 | 5-15P | (5) 5-15R | 1.7 (1U) x 17.2 x 20.0 | 30.6 |
| 5P1000R | 1000/770 | 5-15P | (5) 5-15R | 1.7 (1U) x 17.2 x 20.0 | 32.5 |
| 5P1500R | 1440/1100 | 5-15P | (5) 5-15R | 1.7 (1U) x 17.2 x 21.8 | 43.5 |
| 1U Global Rackmount, 208/230V, 50/60 Hz models | | | | | |
| 5P850GR | 850/600 | C14 | (4) C13 | 1.7 (1U) x 17.2 x 20.0 | 30.4 |
| 5P1550GR | 1550/1100 | C14 | (6) C13 | 1.7 (1U) x 17.2 x 21.8 | 42.7 |

*Due to continuous product improvement programs, all specifications are subject to change without notice.

Please visit Eaton.com/5Prm to view complete and updated product specifications, including complete battery runtimes.

**Catalog numbers that end in RT can be used in both rackmount or tower configurations.

Options

| Connectivity | Catalog number | For use with |
|---|------------------|--|
| Network Card-MS | NETWORK-MS | All models |
| Relay / Serial Interface Card | RELAY-MS | All models |
| Environmental Monitoring Probe | 116750224-001 | All models (requires Network Card-MS) |
| Mounting hardware | | |
| 1U two-post rail kit (optional) | RK2PA | All 1U models except 5P550R |
| 2U two-post rail kit (optional) | 103007018-5591 | All 2U models |
| Power distribution & bypass | | |
| HotSwap Maintenance Bypass (MBP) The HotSwap Maintenance Bypass allows you to exchange or service the UPS without shutting down the connected load | EHBPL1500R-PDU1U | 5P550R, 5P750R, 5P1000R, 5P1500R, 5P1500RT |
| | EHBPL2000R-PDU1U | 5P2200RT |
| | EHBPL3000R-PDU1U | 5P3000RT |

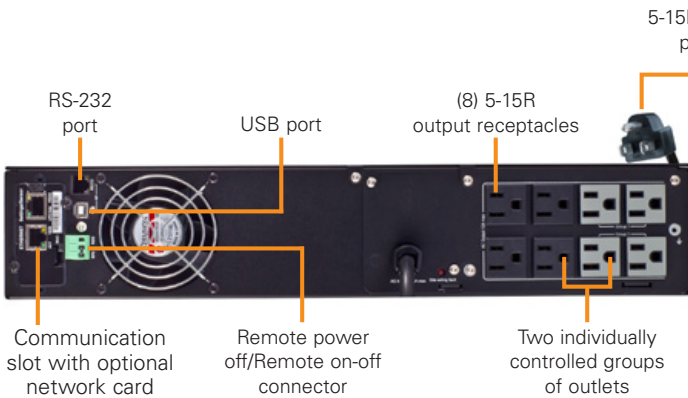
What's in the box

- User manual CD
- Intelligent Power Software Suite CD
- Quick start guide
- Four-post rail kit (5P550R ears only)
- Extra wall mounting ear (5P1500R & 5P1550GR)
- USB cable
- RS-232 cable
- Phillips head screw driver (2U models only)

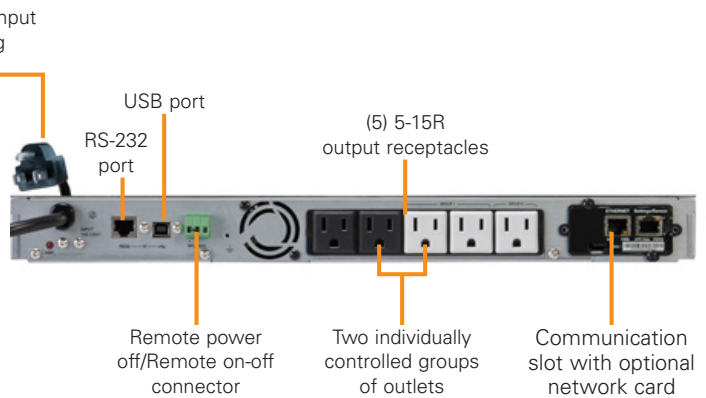
G models only

- 2 IEC-to-IEC jumper cables
- Output cable locking system
- Input cable locking system

5P 2U rear panel



5P 1U rear panel



To interact with the Eaton 5P rackmount UPS, please visit: Eaton.com/5Prm



Eaton
 1000 Eaton Boulevard
 Cleveland, OH 44122
 United States
 Eaton.com
Eaton.com/powerquality

© 2019 Eaton
 All Rights Reserved
 Printed in USA
 BR15309EN / GG
 January 2019

Eaton, Intelligent Power Manger and ABM are registered trademarks.

All other trademarks are property of their respective owners.

Follow us on social media to get the latest product and support information.

