

# SYLVANIA Luminaires

## UltraLED™ CCT Selectable Cutoff Wall Pack

### Application

The Wall Pack luminaires are environmentally preferable LED alternatives to traditional HID luminaires, offering up to 74% in energy savings. Ideal in place of traditional luminaires, or as new installations, the Wall Pack series is offered in several wattages/lumen packages for illuminating building exteriors, outdoor corridors, walkways, and stairwells.

### Benefits and Features

- DLC Premium listing and wattage and lumen selectability provide high energy efficacy and optimize this product for utility rebates
- Integral Photocontrol included
- Optional Emergency Battery Back-up on selected wattages
- Traditional sizes allow seamless replacement of existing luminaires
- IP65 rated body and glass lens ensures a resilient and long-lasting product
- Up to 120 LPW
- Selectable 3000K, 4000K or 5000K color temperatures
- CRI >80
- Offered in 40, 60, 80 or 120 watts
- Energy savings up to 74%

### Electrical

- 120-277VAC, 120-347VAC, 347/480VAC
- Power Factor >90%
- THD <20%
- 0-10V dimmable

### Rated Life

- 150,000 hours (L<sub>70</sub>@25°C)

### Warranty

- 5-year
- NLB Trusted Warranty Program

### Ambient Operating Range

- -40°F to +122°F (-40°C to +50°C)
- +32°F to +122°F (0°C to +50°C) (Emergency Versions)

Item #
Type
Project
Notes
Date

40/60/80W



120W



### Wattage Comparison

Traditional Source	Traditional System Wattage	LED System Wattage	Energy Savings
70W HPS	91	40	56%
100W HPS	120	40	67%
100W MH	130	40	69%
150W HPS	170	60	65%
150W MH	188	60	68%
175W MH	210	60	71%
175W MH	210	80	62%
250W MH	290	80	72%
250W HPS	295	80	73%
320W MH	370	120	68%
400W HPS	464	120	74%
400W MH	458	120	74%

### Certifications and Listings

- cULus
- RoHS
- FCC
- DLC 5.1 Premium
- Dark Sky Compliant\*

\*DLC Dark Sky Compliant for 3000K products only

### Installation

- Luminaire mounts to exterior wall



## Ordering Guide

WALPAKC	5X	/ XXX	XXX	D	8	SC2	/ C1	/ BZ	/ XX
Product Name	Generation/Size*	Wattage	Voltage	Dimming	CRI	Color Temp	Distribution	Color/Finish	Options
WALPAKC =	5B, 5C	040 = 40 Watts	UNV = 120-277V	D = 0-10V	8 = >80	SC2 = 3000K, 4000K or 5000K	C1 = Type III	BZ = Bronze	P = Photocontrol PE = Photocontrol + Emergency Battery Back-up
Cutoff Wall Pack		060 = 60 Watts 080 = 80 Watts 120 = 120 Watts	UNH = 120-347V DHV= 347/480V	dimming					

\*5B = 40, 60 or 80W  
5C = 120W only

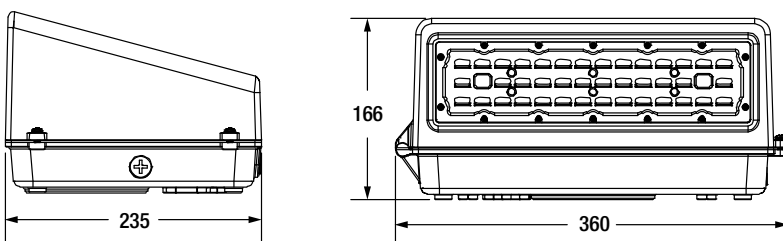
## Ordering Information

Item Number	Ordering Abbreviation	Wattage (W)	Input Voltage (V)	Dimming	CRI	Color Temperature (CCT)	Distribution	BUG Rating	Total Fixture Lumens	LPW	Color	DLC	Option Included
61833	WALPAKC5B/040UNVD8SC2/C1/BZ/P	40	120-277	0-10V	>80	3000/4000/5000K	Type III	B2U0G1	4800	120	Bronze	Premium	Photocontrol
61834	WALPAKC5B/060UNVD8SC2/C1/BZ/P	60	120-277	0-10V	>80	3000/4000/5000K	Type III	B2U0G1	7200	120	Bronze	Premium	Photocontrol
61835	WALPAKC5B/080UNVD8SC2/C1/BZ/P	80	120-277	0-10V	>80	3000/4000/5000K	Type III	B3U0G1	9600	120	Bronze	Premium	Photocontrol
61841	WALPAKC5C/120UNVD8SC2/C1/BZ/P	120	120-277	0-10V	>80	3000/4000/5000K	Type III	B3U0G2	14,400	120	Bronze	Premium	Photocontrol
61836	WALPAKC5B/040UNVD8SC2/C1/BZ/PE	40	120-277	0-10V	>80	3000/4000/5000K	Type III	B2U0G1	4800	120	Bronze	Premium	Photocontrol + Emergency Battery Back-up
61837	WALPAKC5B/060UNVD8SC2/C1/BZ/PE	60	120-277	0-10V	>80	3000/4000/5000K	Type III	B2U0G1	7200	120	Bronze	Premium	Photocontrol + Emergency Battery Back-up
62892	WALPAKC5B/040UNHD8SC2/C1/BZ/P	40	120-347	0-10V	>80	3000/4000/5000K	Type III	B2U0G1	4800	120	Bronze	Premium	Photocontrol
62894	WALPAKC5B/060UNHD8SC2/C1/BZ/P	60	120-347	0-10V	>80	3000/4000/5000K	Type III	B2U0G1	7200	120	Bronze	Premium	Photocontrol
62896	WALPAKC5B/080DHVD8SC2/C1/BZ/P	80	347/480	0-10V	>80	3000/4000/5000K	Type III	B3U0G1	9600	120	Bronze	Premium	Photocontrol
62897	WALPAKC5C/120DHVD8SC2/C1/BZ/P	120	347/480	0-10V	>80	3000/4000/5000K	Type III	B3U0G2	14,400	120	Bronze	Premium	Photocontrol

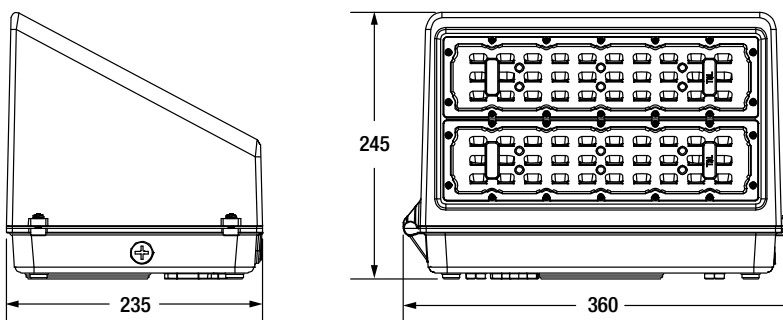
## Physical Information

Lamp Description	Length (inches)	Width (inches)	Height (inches)
40W	14.2	9.3	6.5
60W	14.2	9.3	6.5
80W	14.2	9.3	6.5
120W	14.2	9.3	9.6

### 40/60/80W



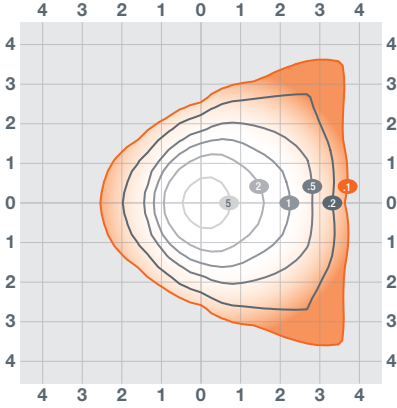
### 120W



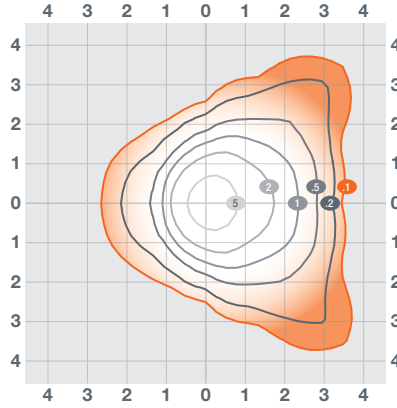
Dimensions in mm

## Photometric Information

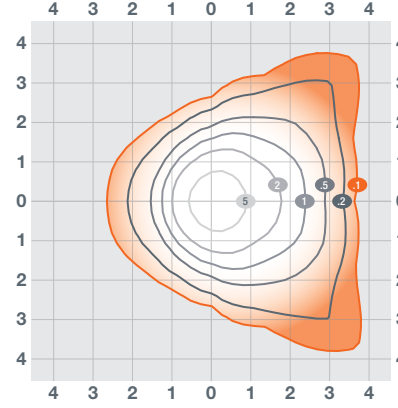
40W 15' Mounting Height



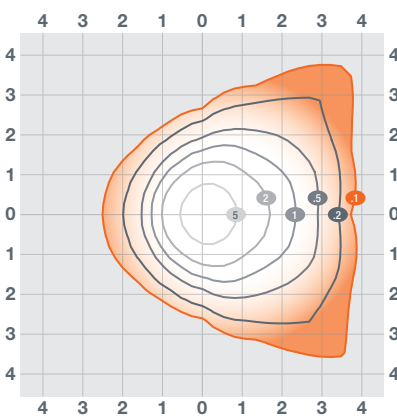
60W 18' Mounting Height



80W 20' Mounting Height



120W 25' Mounting Height



LEDVANCE LLC  
 181 Ballardvale Street, Suite 203  
 Wilmington, MA 01887 USA  
 Phone 1-800-LIGHTBULB (1-800-544-4828)  
[www.ledvanceUS.com](http://www.ledvanceUS.com)

SYLVANIA and LEDVANCE are registered trademarks.  
 All other trademarks are those of their respective owners.  
 Licensee of product trademark SYLVANIA in general lighting.  
 Specifications subject to change without notice.



SCAN TO FOLLOW US  
 ON SOCIAL MEDIA

Name: \_\_\_\_\_  
 Email: \_\_\_\_\_  
 Phone: \_\_\_\_\_



# SYLVANIA Luminaires

## UltraLED™ CCT Selectable Cutoff Wall Pack

### Application

The Wall Pack luminaires are environmentally preferable LED alternatives to traditional HID luminaires, offering up to 74% in energy savings. Ideal in place of traditional luminaires, or as new installations, the Wall Pack series is offered in several wattages/lumen packages for illuminating building exteriors, outdoor corridors, walkways, and stairwells.

### Benefits and Features

- DLC Premium listing and wattage and lumen selectability provide high energy efficacy and optimize this product for utility rebates
- Integral Photocontrol included
- Optional Emergency Battery Back-up on selected wattages
- Traditional sizes allow seamless replacement of existing luminaires
- IP65 rated body and glass lens ensures a resilient and long-lasting product
- Up to 120 LPW
- Selectable 3000K, 4000K or 5000K color temperatures
- CRI >80
- Offered in 40, 60, 80 or 120 watts
- Energy savings up to 74%

### Electrical

- 120-277VAC, 120-347VAC, 347/480VAC
- Power Factor >90%
- THD <20%
- 0-10V dimmable

### Rated Life

- 150,000 hours (L<sub>70</sub>@25°C)

### Warranty

- 5-year
- NLB Trusted Warranty Program

### Ambient Operating Range

- -40°F to +122°F (-40°C to +50°C)
- +32°F to +122°F (0°C to +50°C) (Emergency Versions)

Item #
Type
Project
Notes
Date

40/60/80W



120W



### Wattage Comparison

Traditional Source	Traditional System Wattage	LED System Wattage	Energy Savings
70W HPS	91	40	56%
100W HPS	120	40	67%
100W MH	130	40	69%
150W HPS	170	60	65%
150W MH	188	60	68%
175W MH	210	60	71%
175W MH	210	80	62%
250W MH	290	80	72%
250W HPS	295	80	73%
320W MH	370	120	68%
400W HPS	464	120	74%
400W MH	458	120	74%

### Certifications and Listings

- cULus
- RoHS
- FCC
- DLC 5.1 Premium
- Dark Sky Compliant\*

\*DLC Dark Sky Compliant for 3000K products only

### Installation

- Luminaire mounts to exterior wall



## Ordering Guide

WALPAKC	5X	/ XXX	XXX	D	8	SC2	/ C1	/ BZ	/ XX
Product Name	Generation/Size*	Wattage	Voltage	Dimming	CRI	Color Temp	Distribution	Color/Finish	Options
WALPAKC =	5B, 5C	040 = 40 Watts	UNV = 120-277V	D = 0-10V	8 = >80	SC2 = 3000K, 4000K or 5000K	C1 = Type III	BZ = Bronze	P = Photocontrol PE = Photocontrol + Emergency Battery Back-up
Cutoff Wall Pack		060 = 60 Watts	UNH = 120-347V	dimming					
		080 = 80 Watts	DHV= 347/480V						
		120 = 120 Watts							

\*5B = 40, 60 or 80W  
5C = 120W only

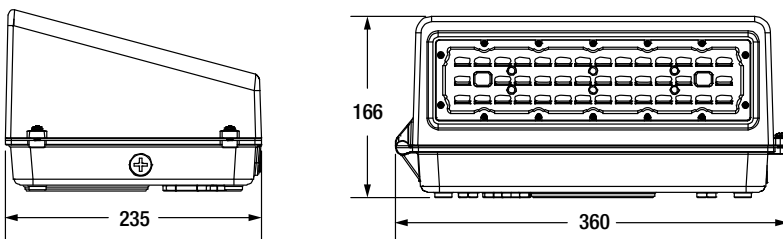
## Ordering Information

Item Number	Ordering Abbreviation	Wattage (W)	Input Voltage (V)	Dimming	CRI	Color Temperature (CCT)	Distribution	BUG Rating	Total Fixture Lumens	LPW	Color	DLC	Option Included
61833	WALPAKC5B/040UNVD8SC2/C1/BZ/P	40	120-277	0-10V	>80	3000/4000/5000K	Type III	B2U0G1	4800	120	Bronze	Premium	Photocontrol
61834	WALPAKC5B/060UNVD8SC2/C1/BZ/P	60	120-277	0-10V	>80	3000/4000/5000K	Type III	B2U0G1	7200	120	Bronze	Premium	Photocontrol
61835	WALPAKC5B/080UNVD8SC2/C1/BZ/P	80	120-277	0-10V	>80	3000/4000/5000K	Type III	B3U0G1	9600	120	Bronze	Premium	Photocontrol
61841	WALPAKC5C/120UNVD8SC2/C1/BZ/P	120	120-277	0-10V	>80	3000/4000/5000K	Type III	B3U0G2	14,400	120	Bronze	Premium	Photocontrol
61836	WALPAKC5B/040UNVD8SC2/C1/BZ/PE	40	120-277	0-10V	>80	3000/4000/5000K	Type III	B2U0G1	4800	120	Bronze	Premium	Photocontrol + Emergency Battery Back-up
61837	WALPAKC5B/060UNVD8SC2/C1/BZ/PE	60	120-277	0-10V	>80	3000/4000/5000K	Type III	B2U0G1	7200	120	Bronze	Premium	Photocontrol + Emergency Battery Back-up
62892	WALPAKC5B/040UNHD8SC2/C1/BZ/P	40	120-347	0-10V	>80	3000/4000/5000K	Type III	B2U0G1	4800	120	Bronze	Premium	Photocontrol
62894	WALPAKC5B/060UNHD8SC2/C1/BZ/P	60	120-347	0-10V	>80	3000/4000/5000K	Type III	B2U0G1	7200	120	Bronze	Premium	Photocontrol
62896	WALPAKC5B/080DHVD8SC2/C1/BZ/P	80	347/480	0-10V	>80	3000/4000/5000K	Type III	B3U0G1	9600	120	Bronze	Premium	Photocontrol
62897	WALPAKC5C/120DHVD8SC2/C1/BZ/P	120	347/480	0-10V	>80	3000/4000/5000K	Type III	B3U0G2	14,400	120	Bronze	Premium	Photocontrol

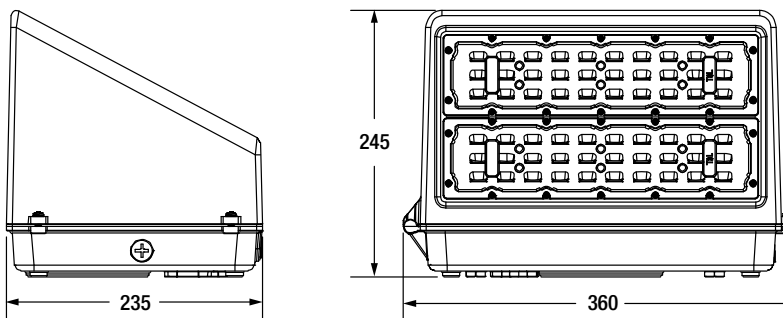
## Physical Information

Lamp Description	Length (inches)	Width (inches)	Height (inches)
40W	14.2	9.3	6.5
60W	14.2	9.3	6.5
80W	14.2	9.3	6.5
120W	14.2	9.3	9.6

### 40/60/80W



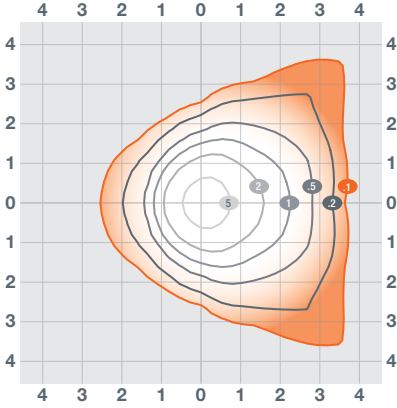
### 120W



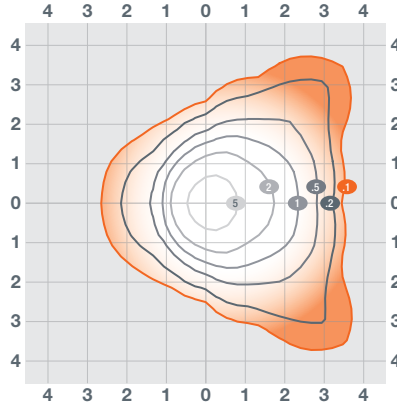
Dimensions in mm

## Photometric Information

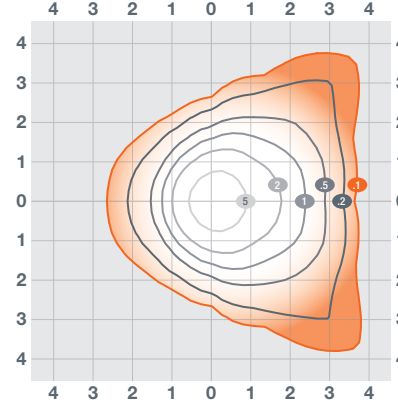
40W 15' Mounting Height



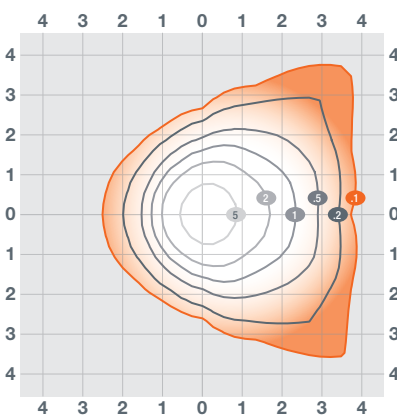
60W 18' Mounting Height



80W 20' Mounting Height



120W 25' Mounting Height



LEDVANCE LLC  
 181 Ballardvale Street, Suite 203  
 Wilmington, MA 01887 USA  
 Phone 1-800-LIGHTBULB (1-800-544-4828)  
[www.ledvanceUS.com](http://www.ledvanceUS.com)

SYLVANIA and LEDVANCE are registered trademarks.  
 All other trademarks are those of their respective owners.  
 Licensee of product trademark SYLVANIA in general lighting.  
 Specifications subject to change without notice.



SCAN TO FOLLOW US  
 ON SOCIAL MEDIA

Name: \_\_\_\_\_  
 Email: \_\_\_\_\_  
 Phone: \_\_\_\_\_

