



|                |
|----------------|
| Catalog Number |
| Notes          |
| Type           |

## Contractor Select™ 65BEMW 5 5/8" LED Module

Most popular LED Recessed Module configurations for your everyday lighting needs. Using adjustable torsion springs, the economical, E Series LED downlight fits most manufacturers 5" and 6" recessed can-style housings. It can be dimmed down to 10% and maintains 70% light output after 54,000 hours of use. Ideal for both retrofitting and new construction in a variety of residential and light commercial settings such as multifamily residences, retail shops and offices.

### FEATURES:

- Available in 5 color temperatures; 2700K, 3000K, 3500K, 4000K or 5000K
- Wet Location listed for indoor and outdoor installations
- E26 adapter included



| Catalog Number          | UPC          | Description       | Replaces up to   | Lumens | Input Watts | CCT   | CRI | Voltage | Finish | Pallet qty. |
|-------------------------|--------------|-------------------|------------------|--------|-------------|-------|-----|---------|--------|-------------|
| 65BEMW LED 27K 90CRI M6 | 190887266672 | 5 5/8" LED Module | 65W Incandescent | 750    | 12.1W       | 2700K | 90  | 120V    | White  | 360         |
| 65BEMW LED 30K 90CRI M6 | 190887266634 | 5 5/8" LED Module | 65W Incandescent | 835    | 11.9W       | 3000K | 90  | 120V    | White  | 360         |
| 65BEMW LED 35K 90CRI M6 | 191723775471 | 5 5/8" LED Module | 65W Incandescent | 825    | 11.7W       | 3500K | 90  | 120V    | White  | 360         |
| 65BEMW LED 40K 90CRI M6 | 190887266696 | 5 5/8" LED Module | 65W Incandescent | 845    | 11.9W       | 4000K | 90  | 120V    | White  | 360         |
| 65BEMW LED 50K 90CRI M6 | 191723610277 | 5 5/8" LED Module | 65W Incandescent | 825    | 12.12W      | 5000K | 90  | 120V    | White  | 360         |

|   |                           |
|---|---------------------------|
| <b>Accessories:</b> Order as separate catalog number. |                           |
| TSA6  | 6" torsion spring adaptor |

### Compatible Dimmer Switches

| Manufacturer   | Model/Series | Part Numbers   | Type                              |
|----------------|--------------|----------------|-----------------------------------|
| Leviton        | Decora       | 6633-P         | 600W Incandescent                 |
| Lutron         | Ariandni C-L | AYCL-153P      | 150W CFL/LED or 600W Incandescent |
|                | Contour C-L  | CTCL-153P      | 150W CFL/LED or 600W Incandescent |
|                | Diva C-L     | DVCL-153P      | 150W CFL/LED or 600W Incandescent |
| Pass & Seymour | Harmony      | HCL453PTCCCV6  | 450W LED and CFL                  |
| Synergy        | ISD          | ISD 600 I 120* | 600W Incandescent                 |

\*\*Must have minimum of qty 6 LED modules on a circuit to function.



## Specifications

### INTENDED USE:

Our recessed LED module is the most economical means to create a well lit environment with exceptional energy efficiency and near zero maintenance. Great for retrofit into existing downlight cans or new construction and remodel applications. Adjustable torsion spring and retention etentiondownlight cans or new construction and remodel applications. Adjustable torsion spring and retention hours. Indoor and outdoor use.

### CONSTRUCTION:

Aluminum spun reflector with deep baffle configuration for reduced glare. Combined LED and driver printed circuit board attached. Inner reflector cone funnels light through the pressed-in diffused lens.

### OPTICS:

Diffused lens at end of mixing chamber to provide even light distribution for general illumination, equivalent to 65W BR30 lamp. Wide flood beam angle at >45°.

### ELECTRICAL:

Center 2 Edge™ (patent pending) technology created for a single point source. Primary power disconnect provided for simple connection to a dedicated LED connector in the housing. Dimming down to 10%. For compatible dimmers, refer to Compatible Dimmers Chart. 835-lumen E series has an input wattage of 11.9 watts, 70 lumens per watt, equivalent to 65-watt incandescent. E Series' patent pending driver has zero inrush, which allows power loads to be calculated with actual rated wattages. Example: 50 units of 65BEMW LED fixtures can be installed in line with a 600-watt dimmer.  $600W/11.9W=50$  fixtures.

### INSTALLATION:

Suitable for installation in standard and shallow-height rough-in sections. E26 socket adapter ships standard. Twin torsion springs ensure easy installation for 5" and 6" recessed housings.

### LISTINGS:

CSA certified to US and Canadian safety standards. ENERGY STAR® certified. Can be used to comply with California Title 24 Part 6 High Efficacy LED Light Source Requirements. Wet location listed. WSEC ASTM E283 for Air-Tight (with IC housings).

### WARRANTY:

5-year limited warranty. Complete warranty terms located at:

[www.acuitybrands.com/CustomerResources/Terms\\_and\\_conditions.aspx](http://www.acuitybrands.com/CustomerResources/Terms_and_conditions.aspx)

**Note:** Actual performance may differ as a result of end-user environment and application. All values are design or typical values, measured under laboratory conditions at 25 °C. Specifications subject to change without notice.

## Dimensions

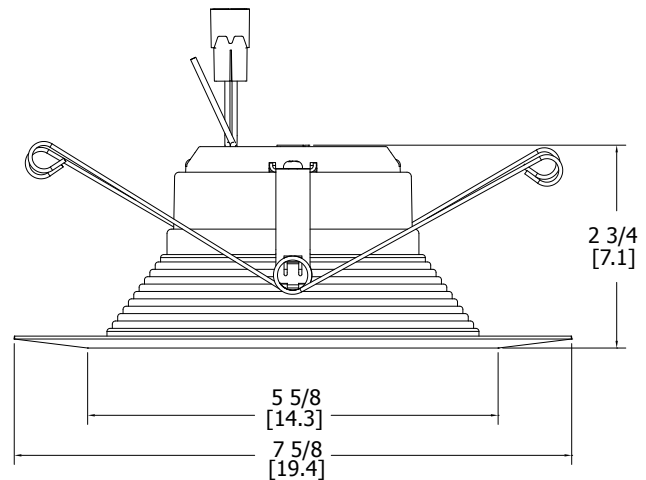
Aperture: 5-5/8 (14.3)

Ceiling opening: Determined by rough-in

Overlap trim: 7-5/8 (19.4)

Height: 2-3/4 (7.1)

All dimensions are inches (centimeters) unless otherwise indicated.





|                |
|----------------|
| Catalog Number |
| Notes          |
| Type           |

## Contractor Select™ 65BEMW 5 5/8" LED Module

Most popular LED Recessed Module configurations for your everyday lighting needs. Using adjustable torsion springs, the economical, E Series LED downlight fits most manufacturers 5" and 6" recessed can-style housings. It can be dimmed down to 10% and maintains 70% light output after 54,000 hours of use. Ideal for both retrofitting and new construction in a variety of residential and light commercial settings such as multifamily residences, retail shops and offices.

### FEATURES:

- Available in 5 color temperatures; 2700K, 3000K, 3500K, 4000K or 5000K
- Wet Location listed for indoor and outdoor installations
- E26 adapter included



| Catalog Number          | UPC          | Description       | Replaces up to   | Lumens | Input Watts | CCT   | CRI | Voltage | Finish | Pallet qty. |
|-------------------------|--------------|-------------------|------------------|--------|-------------|-------|-----|---------|--------|-------------|
| 65BEMW LED 27K 90CRI M6 | 190887266672 | 5 5/8" LED Module | 65W Incandescent | 750    | 12.1W       | 2700K | 90  | 120V    | White  | 360         |
| 65BEMW LED 30K 90CRI M6 | 190887266634 | 5 5/8" LED Module | 65W Incandescent | 835    | 11.9W       | 3000K | 90  | 120V    | White  | 360         |
| 65BEMW LED 35K 90CRI M6 | 191723775471 | 5 5/8" LED Module | 65W Incandescent | 825    | 11.7W       | 3500K | 90  | 120V    | White  | 360         |
| 65BEMW LED 40K 90CRI M6 | 190887266696 | 5 5/8" LED Module | 65W Incandescent | 845    | 11.9W       | 4000K | 90  | 120V    | White  | 360         |
| 65BEMW LED 50K 90CRI M6 | 191723610277 | 5 5/8" LED Module | 65W Incandescent | 825    | 12.12W      | 5000K | 90  | 120V    | White  | 360         |

|   |                           |
|---|---------------------------|
| <b>Accessories:</b> Order as separate catalog number. |                           |
| TSA6  | 6" torsion spring adaptor |

### Compatible Dimmer Switches

| Manufacturer   | Model/Series | Part Numbers   | Type                              |
|----------------|--------------|----------------|-----------------------------------|
| Leviton        | Decora       | 6633-P         | 600W Incandescent                 |
| Lutron         | Ariandni C-L | AYCL-153P      | 150W CFL/LED or 600W Incandescent |
|                | Contour C-L  | CTCL-153P      | 150W CFL/LED or 600W Incandescent |
|                | Diva C-L     | DVCL-153P      | 150W CFL/LED or 600W Incandescent |
| Pass & Seymour | Harmony      | HCL453PTCCCV6  | 450W LED and CFL                  |
| Synergy        | ISD          | ISD 600 I 120* | 600W Incandescent                 |

\*\*Must have minimum of qty 6 LED modules on a circuit to function.



## Specifications

### INTENDED USE:

Our recessed LED module is the most economical means to create a well lit environment with exceptional energy efficiency and near zero maintenance. Great for retrofit into existing downlight cans or new construction and remodel applications. Adjustable torsion spring and retention etentiondownlight cans or new construction and remodel applications. Adjustable torsion spring and retention hours. Indoor and outdoor use.

### CONSTRUCTION:

Aluminum spun reflector with deep baffle configuration for reduced glare. Combined LED and driver printed circuit board attached. Inner reflector cone funnels light through the pressed-in diffused lens.

### OPTICS:

Diffused lens at end of mixing chamber to provide even light distribution for general illumination, equivalent to 65W BR30 lamp. Wide flood beam angle at >45°.

### ELECTRICAL:

Center 2 Edge™ (patent pending) technology created for a single point source. Primary power disconnect provided for simple connection to a dedicated LED connector in the housing. Dimming down to 10%. For compatible dimmers, refer to Compatible Dimmers Chart. 835-lumen E series has an input wattage of 11.9 watts, 70 lumens per watt, equivalent to 65-watt incandescent. E Series' patent pending driver has zero inrush, which allows power loads to be calculated with actual rated wattages. Example: 50 units of 65BEMW LED fixtures can be installed in line with a 600-watt dimmer. 600W/11.9W=50 fixtures.

### INSTALLATION:

Suitable for installation in standard and shallow-height rough-in sections. E26 socket adapter ships standard. Twin torsion springs ensure easy installation for 5" and 6" recessed housings.

### LISTINGS:

CSA certified to US and Canadian safety standards. ENERGY STAR® certified. Can be used to comply with California Title 24 Part 6 High Efficacy LED Light Source Requirements. Wet location listed. WSEC ASTM E283 for Air-Tight (with IC housings).

### WARRANTY:

5-year limited warranty. Complete warranty terms located at: [www.acuitybrands.com/CustomerResources/Terms\\_and\\_conditions.aspx](http://www.acuitybrands.com/CustomerResources/Terms_and_conditions.aspx)

**Note:** Actual performance may differ as a result of end-user environment and application. All values are design or typical values, measured under laboratory conditions at 25 °C. Specifications subject to change without notice.

## Dimensions

Aperture: 5-5/8 (14.3)  
Ceiling opening: Determined by rough-in  
Overlap trim: 7-5/8 (19.4)  
Height: 2-3/4 (7.1)

All dimensions are inches (centimeters) unless otherwise indicated.

