



Catalog Number: 6648-GSC3R-NK
Item Description: N3R SCREW CVR GUTTER NK
UPC Code: 784572108165

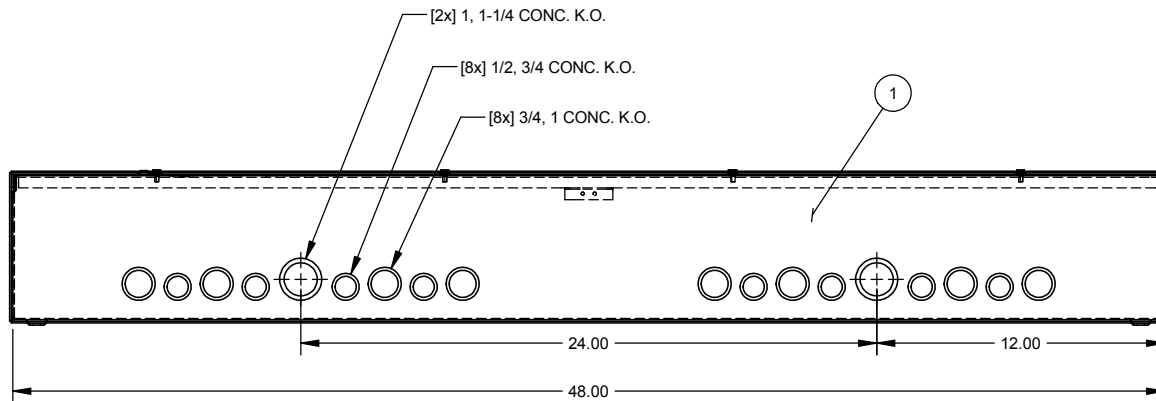
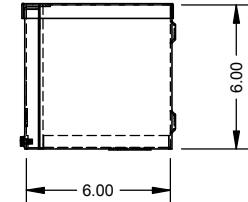
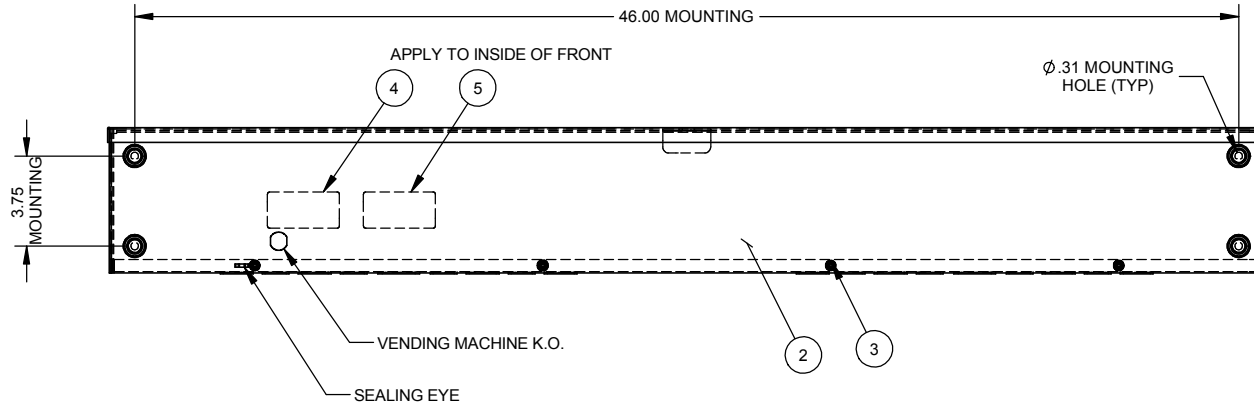
Brand Name: Milbank
Type: Wiring Trough
Special Features: Key Locking Cylinder Latch Provision,
Sealing Eye Lance
Application: Wireway
Standard: UL Listed, Type 3R
Cover Type: Screw Cover
Enclosure: Outdoor Enclosure
Nominal Cross Section: 6x6
Straight Section Length: 48
Material: Steel with Powder Coat Finish
Finish: ANSI 61 Gray
Knockouts: False




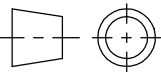
Utility requirements may vary. Always consult the serving utility for their requirements prior to ordering or installing this equipment. This product must always be installed by a licensed electrician. Installation of this equipment may require local electrical inspector approval.

| LABEL CHART | |
|----------------------|---------|
| CATALOG# | LABEL# |
| 6648-GSC3R(-)-(-) | 1002943 |
| RC-6648-GSC3R(-)-(-) | 1125051 |
| SPRSCG-6648 | 1132575 |

| ITEM | QTY. | PART NUMBER | DESCRIPTION |
|------|------|-------------|-------------------------|
| 1 | 1 | (SEE CHART) | BACK WELDMENT |
| 2 | 1 | (SEE CHART) | FRONT |
| 3 | 4 | 1001290 | SCREW, 10-32 X 5/16 |
| 4 | 1 | (SEE CHART) | UL LABEL, WIREWAY |
| 5 | 1 | 1002897 | LABEL, RATING 6x6 GSC3R |



| SUFFIX | WELDMNT # | FRONT # | K.O. | PAINTED |
|--------|-----------|----------|------|---------|
| NONE | #1161600 | #1004421 | YES | YES |
| -NK | #1161601 | #1004421 | NO | YES |
| -NK-NP | #1161602 | #1010779 | NO | NO |

| | | | |
|-----------------------------------------------------------------------------|--------------|------------------------------------------------------------------------------------------------------|---------------------------------------------------------------------------------------------------------------------------|
| Material: | 16 GA. STEEL | |  General Offices: Kansas City, MO |
| Shear/ Die#: | | | |
| Finish: | (SEE CHART) | | |
| Part Wt.: | | | |
| Tolerances: | | Third Angle  | Title: |
| Unless Specified Otherwise X.X ±.1 X.XX ±.03 X.XXX ±.015 X* ±2* | | | SCREW COVER WIREWAY 6 x 6 x 48, TYPE 3R TYPE 3R ENCLOSURE |
| Scale: | NTS | Checked By: | Catalog No.: |
| Drawn By: | | Approved By: | (SEE CHART) |
| | | Date: | Customer: |
| | | 2/6/03 | MILBANK STD. |
| | | Sheet | Drawing No.: |
| | | 1 of 1 | 1003061 |

| REV. | DATE | DESCRIPTION | BY |
|------|----------|-----------------------------------------------------|-----|
| C1 | 8-14-06 | mECO #15069, ADDED NOTE #2. | CMW |
| C2 | 4/21/08 | ADDED LABEL CHART & REMOVED NOTE #2(ECO.17139) | JLT |
| C3 | 10-25-12 | DRAWING NUMBER WAS 282; UPDATED TO M2K (ECO #23097) | DL |



Catalog Number: 6648-GSC3R-NK
Item Description: N3R SCREW CVR GUTTER NK
UPC Code: 784572108165

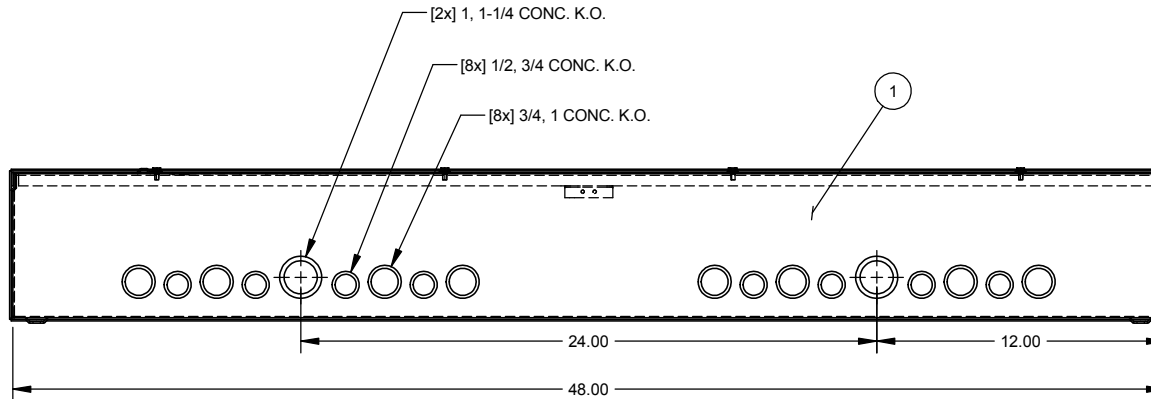
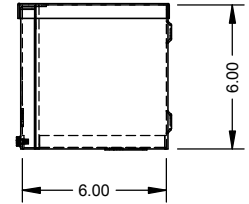
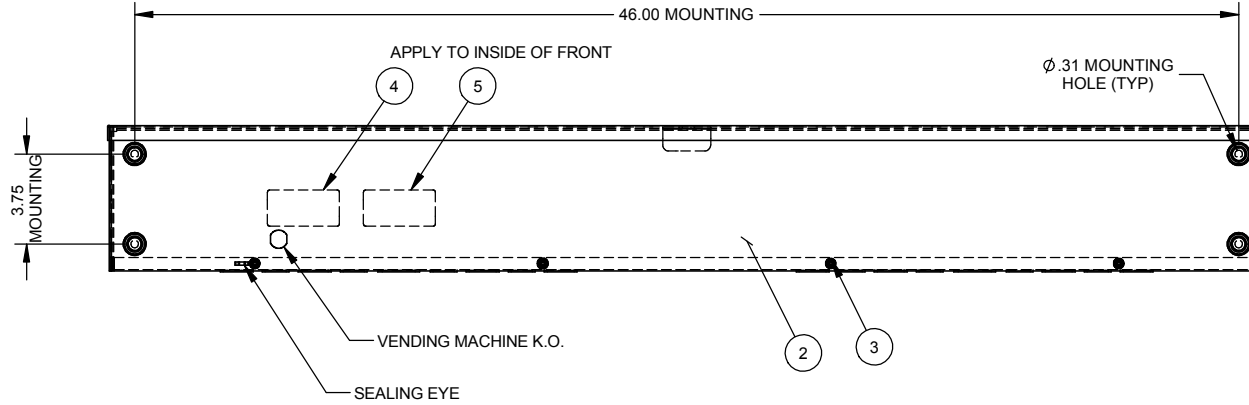
Brand Name: Milbank
Type: Wiring Trough
Special Features: Key Locking Cylinder Latch Provision,
Sealing Eye Lance
Application: Wireway
Standard: UL Listed, Type 3R
Cover Type: Screw Cover
Enclosure: Outdoor Enclosure
Nominal Cross Section: 6x6
Straight Section Length: 48
Material: Steel with Powder Coat Finish
Finish: ANSI 61 Gray
Knockouts: False




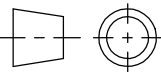
Utility requirements may vary. Always consult the serving utility for their requirements prior to ordering or installing this equipment. This product must always be installed by a licensed electrician. Installation of this equipment may require local electrical inspector approval.

| LABEL CHART | |
|---------------------|---------|
| CATALOG# | LABEL# |
| 6648-GSC3R(-)-() | 1002943 |
| RC-6648-GSC3R(-)-() | 1125051 |
| SPRSCG-6648 | 1132575 |

| ITEM | QTY. | PART NUMBER | DESCRIPTION |
|------|------|-------------|-------------------------|
| 1 | 1 | (SEE CHART) | BACK WELDMENT |
| 2 | 1 | (SEE CHART) | FRONT |
| 3 | 4 | 1001290 | SCREW, 10-32 X 5/16 |
| 4 | 1 | (SEE CHART) | UL LABEL, WIREWAY |
| 5 | 1 | 1002897 | LABEL, RATING 6x6 GSC3R |



| SUFFIX | WELDMNT # | FRONT # | K.O. | PAINTED |
|--------|-----------|----------|------|---------|
| NONE | #1161600 | #1004421 | YES | YES |
| -NK | #1161601 | #1004421 | NO | YES |
| -NK-NP | #1161602 | #1010779 | NO | NO |

| | | | | |
|--------------------------------------------------------------------------------------------|-----------------------------------------------------------------|------------------------------------------------------------------------------------------------------|---------------------------------------------------------------------------------------------------------------------------|-------------|
| Material: | 16 GA. STEEL | |  General Offices: Kansas City, MO | |
| Shear/ Die#: | | | | |
| Finish: | (SEE CHART) | | | |
| Part Wt.: | | | | |
| Tolerances: Unless Specified Otherwise X.X ±.1 X.XX ±.03 X.XXX ±.015 X* ±2* | | Third Angle  | | |
| Title: | SCREW COVER WIREWAY 6 x 6 x 48, TYPE 3R TYPE 3R ENCLOSURE | | Catalog No.: | (SEE CHART) |
| Customer: | MILBANK STD. | | Drawing No.: | 1003061 |
| Date: | 2/6/03 | Sheet | 1 of 1 | |

| REV. | DATE | DESCRIPTION | BY |
|------|----------|-----------------------------------------------------|-----|
| C1 | 8-14-06 | mECO #15069, ADDED NOTE #2. | CMW |
| C2 | 4/21/08 | ADDED LABEL CHART & REMOVED NOTE #2(ECO.17139) | JLT |
| C3 | 10-25-12 | DRAWING NUMBER WAS 282; UPDATED TO M2K (ECO #23097) | DL |