



Catalog Number: 664-SC1
Item Description: N1 SCREW COVER ENCL
UPC Code: 784572108011

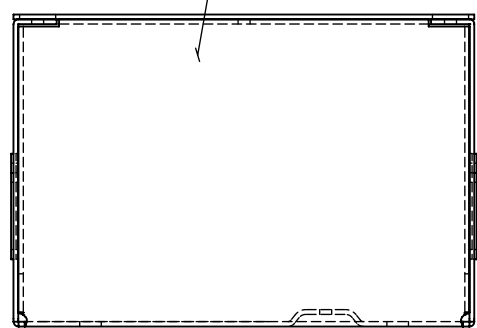
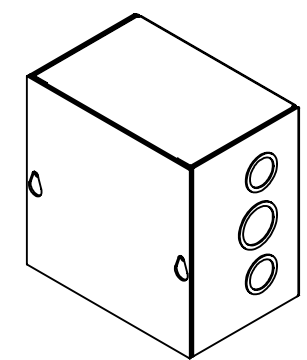
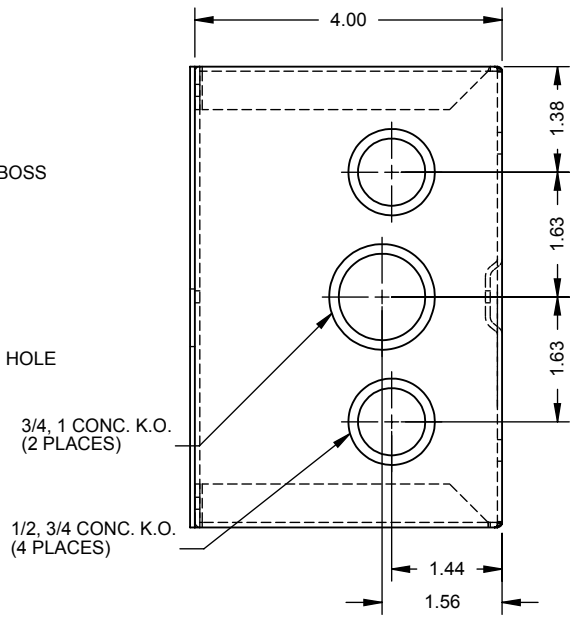
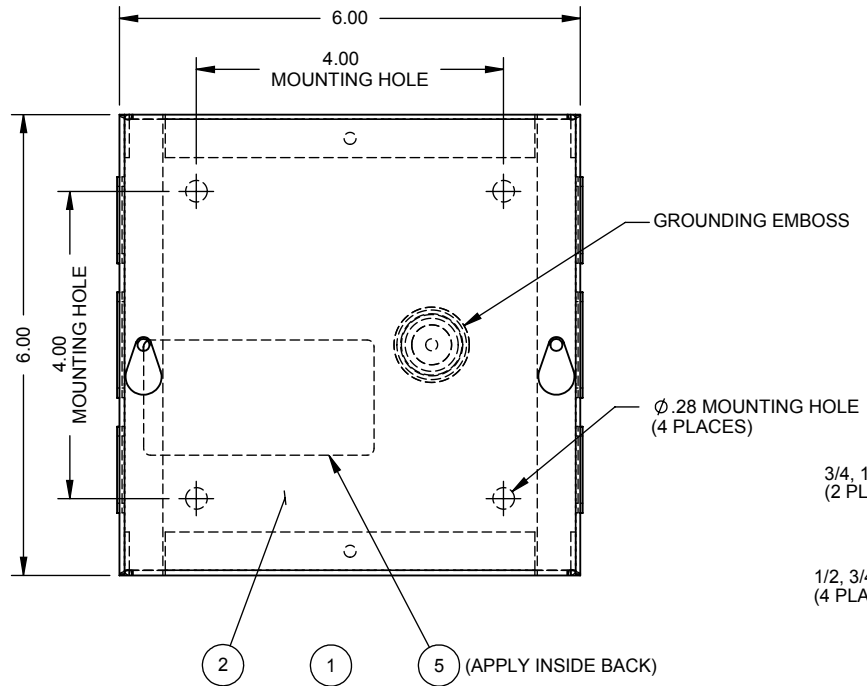
Brand Name: Milbank
Type: Screw Cover
Special Features: Cover Secured with Plated Screws
Application: Enclosure for Mounting Electrical Equipment
Standard: UL Listed
Number Of Outlet: 0
Material: Steel with Powder Coat Finish
Color: ANSI 61 Gray
Mounting: Wall Mount
NEMA Rating: Type 1



Utility requirements may vary. Always consult the serving utility for their requirements prior to ordering or installing this equipment. This product must always be installed by a licensed electrician. Installation of this equipment may require local electrical inspector approval.

CATALOG#	LABEL#
664-SC1(-)	1002135
RC-664-SC1(-)	1125021
SPSC-664(-)	1132714


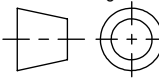
ITEM	QTY.	PART NUMBER	DESCRIPTION
1	1	(SEE CHART)	BACK WELDMENT
2	1	(SEE CHART)	COVER PLATE
3	1	1002170	BAG ASSY (SEE NOTE)
4	1	1002475	BAG ASSY, GROUND SCREW (NOT SHOWN)
5	1	(SEE CHART)	LABEL (UL)
6	0.11	1002133	CARTON 9-PER (NOT SHOWN)



SUFFIX	FINISH	PLATE NO.	WELDMENT NO.	INSTALL KOs
NONE	MILBANK	1156568	1156569	YES
-NK	LIGHT GRAY		1156570	NO
-NP	NONE	1003322	1156571	YES
-NK-NP			1156572	NO

NOTES:
 1.) BAG ASSY TO BE SHIPPED INSIDE OF EACH ENCLOSURE.
 2.) WHEN SOLD WITH "R" PREFIX, APPLY STANDARD CARTON LABEL SHOWING QUANTITY OF 1 TO THE WRAPPING OF EACH UNIT. APPLY STANDARD CARTON LABEL TO CARTON SHOWING QUANTITY OF 9.

G4	5/16/12	NOTE 2: "THE WRAPPING" WAS "SHRINK WRAP"																		
		(ECO #22340)	D.F.																	

Material:	SEE CHART	 General Offices: Kansas City, MO		
Finish:	SEE CHART			
Tolerances: Unless Specified Otherwise X.X ±.1 X.XX ±.03 X.XXX ±.015 X* ±2*	Third Angle 	Title:	664 SCREW COVER TYPE 1 ENCLOSURE	
Scale:	NTS	Checked By:	Catalog No.:	(SEE CHART)
Drawn By:	DY	Approved By:	Customer:	MILBANK STD.
			Drawing No.:	1003068
			Date:	05/01/01
			Sheet	1 of 1



Catalog Number: 664-SC1
Item Description: N1 SCREW COVER ENCL
UPC Code: 784572108011

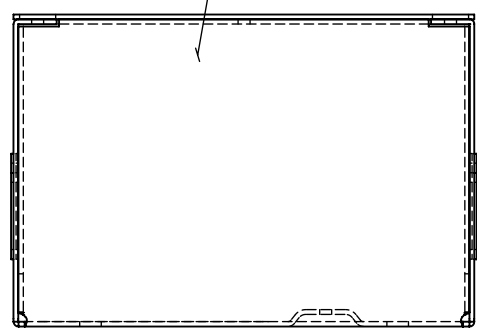
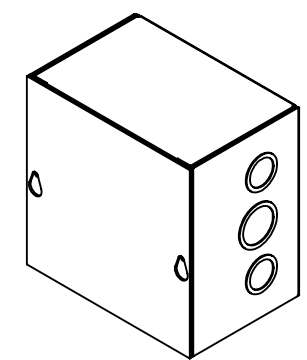
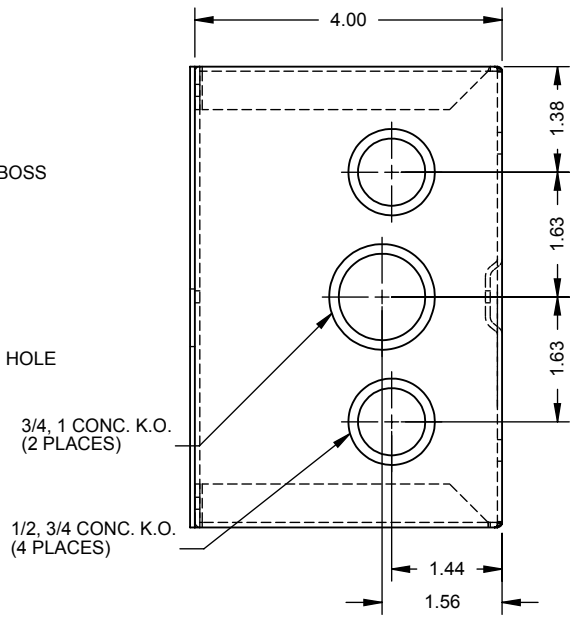
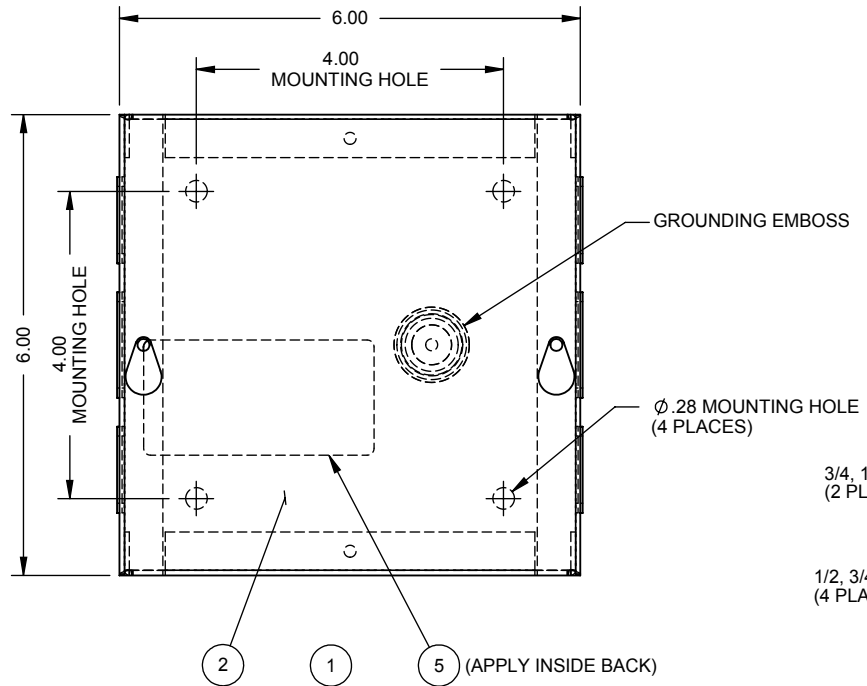
Brand Name: Milbank
Type: Screw Cover
Special Features: Cover Secured with Plated Screws
Application: Enclosure for Mounting Electrical Equipment
Standard: UL Listed
Number Of Outlet: 0
Material: Steel with Powder Coat Finish
Color: ANSI 61 Gray
Mounting: Wall Mount
NEMA Rating: Type 1



Utility requirements may vary. Always consult the serving utility for their requirements prior to ordering or installing this equipment. This product must always be installed by a licensed electrician. Installation of this equipment may require local electrical inspector approval.

CATALOG#	LABEL#
664-SC1(-)	1002135
RC-664-SC1(-)	1125021
SPSC-664(-)	1132714


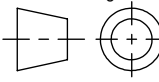
ITEM	QTY.	PART NUMBER	DESCRIPTION
1	1	(SEE CHART)	BACK WELDMENT
2	1	(SEE CHART)	COVER PLATE
3	1	1002170	BAG ASSY (SEE NOTE)
4	1	1002475	BAG ASSY, GROUND SCREW (NOT SHOWN)
5	1	(SEE CHART)	LABEL (UL)
6	0.11	1002133	CARTON 9-PER (NOT SHOWN)



SUFFIX	FINISH	PLATE NO.	WELDMENT NO.	INSTALL KOs
NONE	MILBANK	1156568	1156569	YES
-NK	LIGHT GRAY		1156570	NO
-NP	NONE	1003322	1156571	YES
-NK-NP			1156572	NO

NOTES:
 1.) BAG ASSY TO BE SHIPPED INSIDE OF EACH ENCLOSURE.
 2.) WHEN SOLD WITH "R" PREFIX, APPLY STANDARD CARTON LABEL SHOWING QUANTITY OF 1 TO THE WRAPPING OF EACH UNIT. APPLY STANDARD CARTON LABEL TO CARTON SHOWING QUANTITY OF 9.

G4	5/16/12	NOTE 2: "THE WRAPPING" WAS "SHRINK WRAP"																	
		(ECO #22340)	D.F.																

Material:	SEE CHART	 General Offices: Kansas City, MO	
Finish:	SEE CHART		
Tolerances: Unless Specified Otherwise X.X ±.1 X.XX ±.03 X.XXX ±.015 X* ±2*	Third Angle 	Title:	664 SCREW COVER TYPE 1 ENCLOSURE
		Catalog No.:	(SEE CHART)
		Customer:	MILBANK STD.
		Drawing No.:	1003068
Scale:	NTS	Checked By:	
Drawn By:	DY	Approved By:	
		Date:	05/01/01
		Sheet	1 of 1