



# SLUGGO-OX™

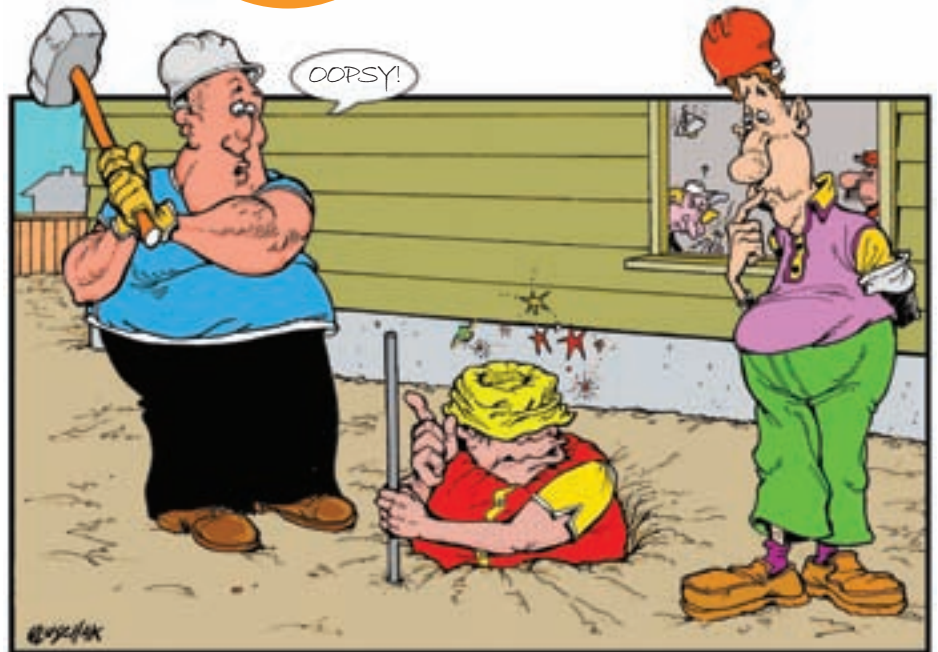
## The Ultimate Ground Rod Driving Tool

SLUGGO-OX™ is the revolutionary new tool that's taking the industry by storm.

Part # 67119

### Features

- Incredibly strong, made of 3" hot-rolled, heat-treated, hardened steel
- 3 1/2" bore to accept 3/4" and 5/8" ground rods
- 80% more striking surface
- One piece, light-weight (7lbs.)
- Yellow zinc chromate surface to deter rust



"Your turn to hold the ground rod, Rod - I think it's time we got a 'Sluggo-Ox!'"

## 41 Templates in One!

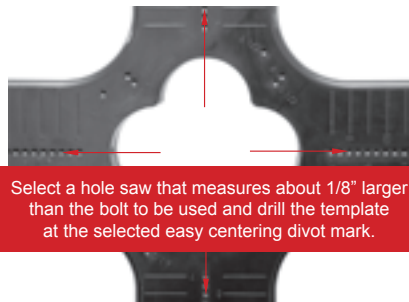
Quick and Easy!

Set-Up in Minutes!

Weather Resistant  
ABS Plastic

Part # 67441

# Bolt Template



Select a hole saw that measures about 1/8" larger than the bolt to be used and drill the template at the selected easy centering divot mark.



## Barracuda Fishtape



A revolution in fishtape design. The first fishtape with an integrated pulling system that works! No more pliers, no more tripping over the case while you pull, no more kinks in your tape from pulling at awkward angles.

- Integrated Cam-Lock™ handle grabs onto the tape and pulls.
- The harder you pull, the tighter the cams grip.
- Let go of the handle and the cams release, allowing you to wind up the slack as you go.
- Available with carbon steel or stainless steel wire.
- Winds and unwinds like a standard fishtape.

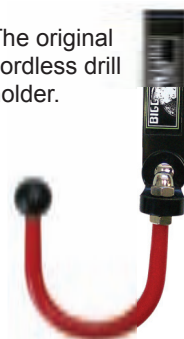
Patent # 6416040

BRSS100 -100' Stainless Steel Barracuda  
BRSS200 -200' Stainless Steel Barracuda

BRC100 -100' Carbon Steel Barracuda  
BRC200 -200' Carbon Steel Barracuda

## Bigg Lugg I

The original cordless drill holder.



Part #43001

## BIGG LUGG

### Bigg Lugg II

The next generation for personal tool carriers designed for cordless drills, air-nailers, paint cans, etc. (limit 10 lbs)



Part #43002