

The All American Pull Buddy



Part #42050-1/2"
#42075-3/4"
#42100-1"
#42000-Multi-Pack



- Reduces Time and Labour
- Reduces the chance of damaging wires
- Turns wire pulling into a one person job



'SHOEHORNS FOR YOUR WIRE' **Three Sizes Available: 1/2" 3/4" 1"**

Two-person wire pulls can be costly. So can cut wires and short circuits. The All American Pull Buddy turns one set of hands into a 'crew'. Fast, easy to use and reusable. *Why not protect the conductors on all your pulls?*



Knuckle Buster

BEND ALL Cable Bender



Finally...
The Amazing Knuckle Saver from Rack-A-Tiers®

- Captures wire
- Bend inside enclosures to the right or left
- Bend to the front or back
- Your feeders will lie in the lugs

Machined from 6061 aircraft aluminium
Fits a standard 1/2" ratchet.
Fits #3 to 350 MCM conductors



Part #77455

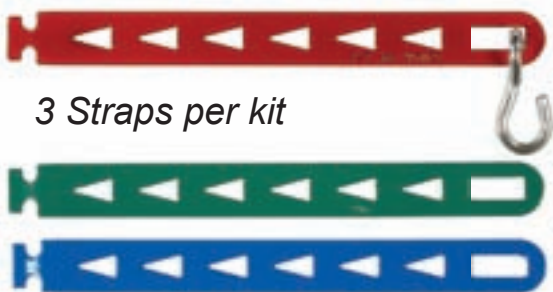
Piece of Cake

Ever give a meter base a knuckle sandwich? Too bad it was your own. Next time, defend yourself with the Bend All. Perfectly sized for 4/0, it takes the pain out of 200 amp services or sub feeders and conductors like it too. The Bend All makes micro adjustable bends without brutalizing the wire.

SNATCH STRAP Wire Puller

Fast attachment
for conduit pulls

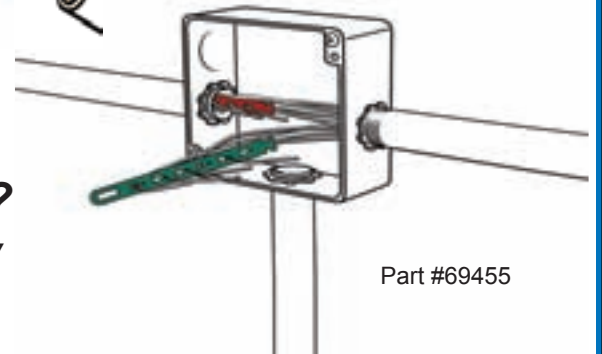
No stripping required
No taping required



3 Straps per kit



1/2" pipe?
90° bends?
Fits Easily



Part #69455

Time is money and when you think about it, a lot of time is spent stripping, taping and untaping wire for fishtape pulls. The SNATCH STRAP gives you back this time. By staggering the wire, you can pull more conductors with less effort. Plus SNATCH STRAPS can be daisy chained; you can easily drop wire groups at boxes along the pull. Color coded for easy circuit and phase identification.

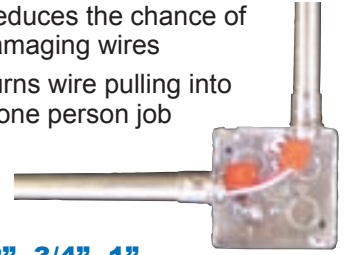
The All American Pull Buddy



Part #42050-1/2"
#42075-3/4"
#42100-1"
#42000-Multi-Pack



- Reduces Time and Labour
- Reduces the chance of damaging wires
- Turns wire pulling into a one person job



'SHOEHORNS FOR YOUR WIRE' Three Sizes Available: 1/2" 3/4" 1"

Two-person wire pulls can be costly. So can cut wires and short circuits. The All American Pull Buddy turns one set of hands into a 'crew'. Fast, easy to use and reusable. *Why not protect the conductors on all your pulls?*



Knuckle Buster

BEND ALL Cable Bender



Finally...
The Amazing Knuckle Saver from Rack-A-Tiers®

- Captures wire
- Bend inside enclosures to the right or left
- Bend to the front or back
- Your feeders will lie in the lugs



Machined from 6061 aircraft aluminium
Fits a standard 1/2" ratchet.
Fits #3 to 350 MCM conductors



Part #77455

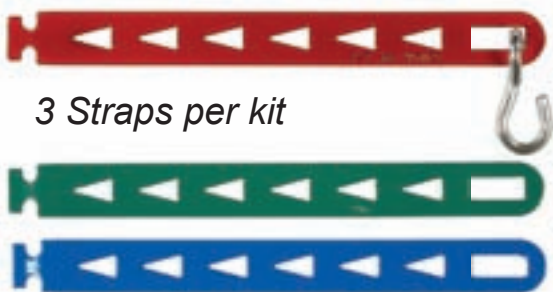
Piece of Cake

Ever give a meter base a knuckle sandwich? Too bad it was your own. Next time, defend yourself with the Bend All. Perfectly sized for 4/0, it takes the pain out of 200 amp services or sub feeders and conductors like it too. The Bend All makes micro adjustable bends without brutalizing the wire.

SNATCH STRAP Wire Puller

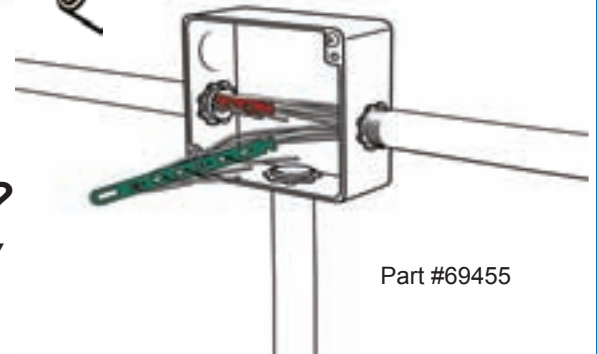
Fast attachment
for conduit pulls

No stripping required
No taping required



3 Straps per kit

1/2" pipe?
90° bends?
Fits Easily



Part #69455

Time is money and when you think about it, a lot of time is spent stripping, taping and untaping wire for fishtape pulls. The SNATCH STRAP gives you back this time. By staggering the wire, you can pull more conductors with less effort. Plus SNATCH STRAPS can be daisy chained; you can easily drop wire groups at boxes along the pull. Color coded for easy circuit and phase identification.