

# Specifications

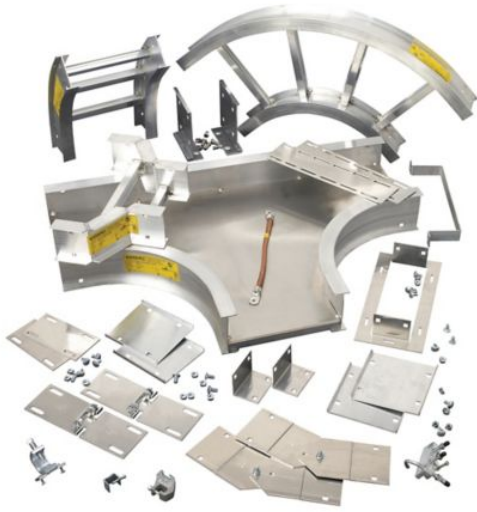


Photo is representative

## Eaton 6A-06-90HB12

Eaton B-Line series horizontal bend, 6" H x 18.0625" W x 6" L, Aluminum, 12" radius, 90° angle

### General specifications

<b>PRODUCT NAME</b>	Eaton B-Line series horizontal bend
<b>CATALOG NUMBER</b>	6A-06-90HB12
<b>UPC</b>	781011206246
<b>PRODUCT LENGTH/DEPTH</b>	18.0625 in
<b>PRODUCT HEIGHT</b>	6 in
<b>PRODUCT WIDTH</b>	6 in
<b>PRODUCT WEIGHT</b>	7.6 lb
<b>CERTIFICATIONS</b>	UL Classified CE CSA



### Product specifications

**MATERIAL**

Aluminum

### Resources

<b>TYPE</b>	Series 2-5 horizontal bend
<b>ANGLE</b>	90°
<b>RADIUS</b>	12 in

<b>CATALOGS</b>	<a href="#">Cable tray and Cable Management NEMA Catalog</a>
	<a href="#">Series 1 to 5 Section of NEMA Cable Management Catalog</a>
	<a href="#">Cable Tray Manual - 2014 Version</a>
<b>INSTALLATION INSTRUCTIONS</b>	<a href="#">KwikSplice Cable Tray System and Redi-Rail Series Universal Fitting Assembly</a>
<b>SPECIFICATIONS AND DATASHEETS</b>	<a href="#">Eaton Specification Sheet - 6A-06-90HB12</a>

---

<b>PROJECT NAME:</b>
<b>PROJECT NUMBER:</b>
<b>PREPARED BY:</b>
<b>DATE:</b>



**Eaton Corporation plc**  
Eaton House  
30 Pembroke Road  
Dublin 4, Ireland  
Eaton.com

© 2025 Eaton. All Rights Reserved.

Eaton is a registered trademark. Follow us on social media to get the latest product and support information.  
All other trademarks are property of their respective owners.



# Specifications

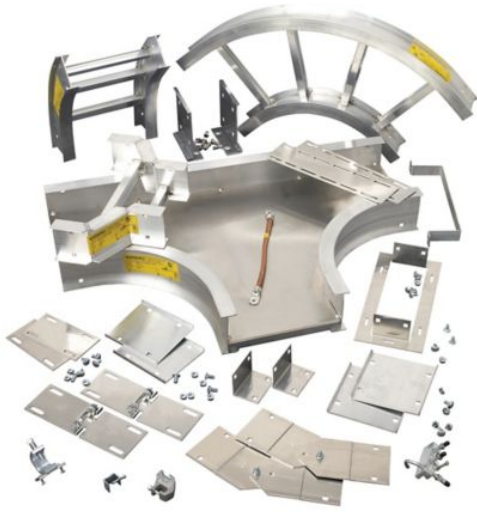


Photo is representative

## Eaton 6A-06-90HB12

Eaton B-Line series horizontal bend, 6" H x 18.0625" W x 6" L, Aluminum, 12" radius, 90° angle

### General specifications

<b>PRODUCT NAME</b>	Eaton B-Line series horizontal bend
<b>CATALOG NUMBER</b>	6A-06-90HB12
<b>UPC</b>	781011206246
<b>PRODUCT LENGTH/DEPTH</b>	18.0625 in
<b>PRODUCT HEIGHT</b>	6 in
<b>PRODUCT WIDTH</b>	6 in
<b>PRODUCT WEIGHT</b>	7.6 lb
<b>CERTIFICATIONS</b>	UL Classified CE CSA

# EATON

Powering Business Worldwide

### Product specifications

**MATERIAL**

Aluminum

### Resources

<b>TYPE</b>	Series 2-5 horizontal bend
<b>ANGLE</b>	90°
<b>RADIUS</b>	12 in

<b>CATALOGS</b>	<a href="#">Cable tray and Cable Management NEMA Catalog</a>
	<a href="#">Series 1 to 5 Section of NEMA Cable Management Catalog</a>
	<a href="#">Cable Tray Manual - 2014 Version</a>
<b>INSTALLATION INSTRUCTIONS</b>	<a href="#">KwikSplice Cable Tray System and Redi-Rail Series Universal Fitting Assembly</a>
<b>SPECIFICATIONS AND DATASHEETS</b>	<a href="#">Eaton Specification Sheet - 6A-06-90HB12</a>

---

<b>PROJECT NAME:</b>
<b>PROJECT NUMBER:</b>
<b>PREPARED BY:</b>
<b>DATE:</b>



**Eaton Corporation plc**  
Eaton House  
30 Pembroke Road  
Dublin 4, Ireland  
Eaton.com

© 2025 Eaton. All Rights Reserved.

Eaton is a registered trademark. Follow us on social media to get the latest product and support information.  
All other trademarks are property of their respective owners.

