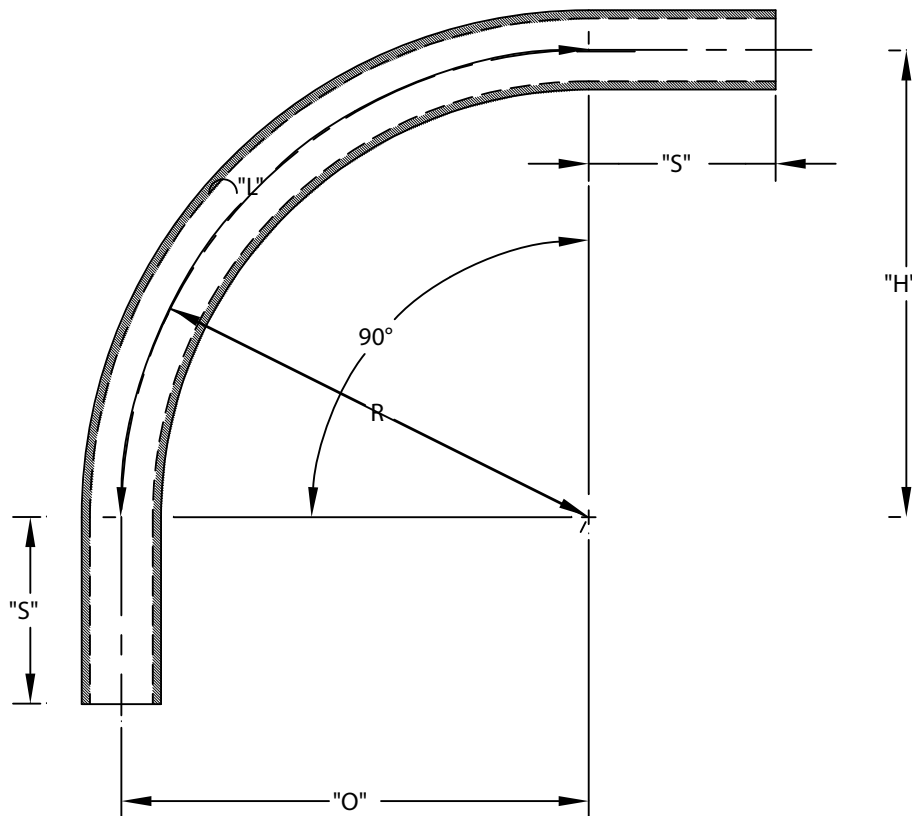


PART NUMBER	SIZE	"R"	"O"	"H"	"S" MIN	"B" MIN	"L"
5121018	1"	24"	24"	24"	1 $\frac{7}{8}$ "	N/A	37 $\frac{3}{4}$ "
5121015	1 $\frac{1}{2}$ "	24"	24"	24"	2"	N/A	37 $\frac{3}{4}$ "
5121019	2"	24"	24"	24"	2"	N/A	37 $\frac{3}{4}$ "
5121028	2 $\frac{1}{2}$ "	24"	24"	24"	3"	N/A	37 $\frac{3}{4}$ "
5121020	3"	24"	24"	24"	3 $\frac{1}{8}$ "	N/A	37 $\frac{3}{4}$ "
5121022	4"	24"	24"	24"	3 $\frac{3}{8}$ "	N/A	37 $\frac{3}{4}$ "



ETL LISTED
 CONFORMS TO UL651
 ETL CONTROL #3107144
 CONFORMS TO NEMA TC3
 SEE NEC ARTICLE 352 FOR USE
 MATERIAL IS RIGID PVC
 BEND TOLERANCE IS $\pm 2^\circ$



CANTEX

INC.
Fort Worth, TEXAS

90° Elbows Plain End
Schedule 80 24" Radius Elbows

Drawn By: CD Branch

Date: 10/15/07

Ref.