

Straight Blade Devices

20A, 125V, 2 Pole, 3 Wire Grounding

Hubbell-PRO Heavy Duty Hospital Grade Receptacles

HUBBELL

Features

- Tamper-resistant shutter complies with national electrical code requirements
- Triple wipe contacts
- High impact resistant face with circuit I.D. marking area
- Steel mounting strap

Ordering Information

Description	Device Color	UPC	Catalog Number
Hospital grade, tamper-resistant, smooth face	White	783585197081	8300WTRA

Standards

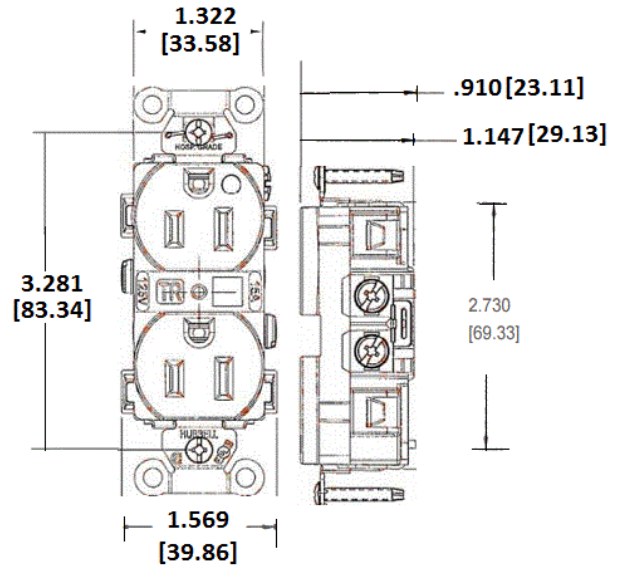
UL Listed to UL498 File No. E2186
Certified to CSA, C22.2, No. 42 File 285
Fed. Spec. W-C-596
NEMA® WD-6 Compliant

Specifications

Face	Nylon
Base	PBT
Power Contacts	Brass
Ground Contact	Brass
Clamping Plate	Plated steel
Mounting Strap	Galvanized steel
Automatic Self-grounding Staple	Stainless steel
Mounting Screws	Zinc plated steel

Performance

Electrical	
Current Interrupting	Certified for current interrupting at full rated current
Dielectric Voltage	Withstands 2,000V minimum
Mechanical	
Product Identification	Ratings are a permanent part of the device
Terminal Accommodation	#12-10 AWG stranded or solid copper wire only.
Terminal Identification	Terminals identified in accordance with UL 498 and CSA
Environmental	
Flammability	UL 94V-2
Operating Temperature	Maximum continuous 75°C; minimum -40°C (w/o impact)



Accessories

Wallplate or Weatherproof Cover

Duplex Opening

Online Resources

eCatalog

Dimensions in Inches (mm)

Hubbell Wiring Device-Kellems • Hubbell Incorporated (Delaware) • 40 Waterview Drive • Shelton, CT 06484

Phone (800) 288-6000 • Fax (800) 255-1031 • Specifications subject to change without notice.



Straight Blade Devices

20A, 125V, 2 Pole, 3 Wire Grounding

Hubbell-PRO Heavy Duty Hospital Grade Receptacles

HUBBELL

Features

- Tamper-resistant shutter complies with national electrical code requirements
- Triple wipe contacts
- High impact resistant face with circuit I.D. marking area
- Steel mounting strap

Ordering Information

Description	Device Color	UPC	Catalog Number
Hospital grade, tamper-resistant, smooth face	White	783585197081	8300WTRA

Standards

UL Listed to UL498 File No. E2186
Certified to CSA, C22.2, No. 42 File 285
Fed. Spec. W-C-596
NEMA® WD-6 Compliant

Specifications

Face	Nylon
Base	PBT
Power Contacts	Brass
Ground Contact	Brass
Clamping Plate	Plated steel
Mounting Strap	Galvanized steel
Automatic Self-grounding Staple	Stainless steel
Mounting Screws	Zinc plated steel

Performance

Electrical
Current Interrupting Certified for current interrupting at full rated current

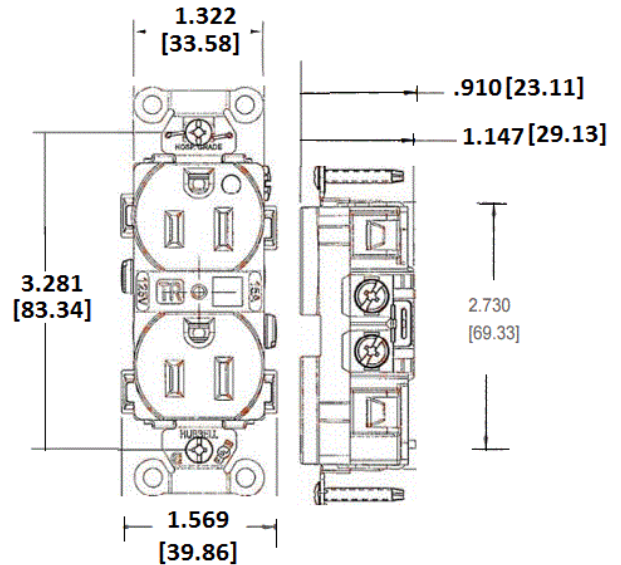
Dielectric Voltage Withstands 2,000V minimum

Mechanical

Product Identification Ratings are a permanent part of the device
Terminal Accommodation #12-10 AWG stranded or solid copper wire only.
Terminal Identification Terminals identified in accordance with UL 498 and CSA

Environmental

Flammability UL 94V-2
Operating Temperature Maximum continuous 75°C; minimum -40°C (w/o impact)



Accessories

Wallplate or Weatherproof Cover

Duplex Opening

Online Resources

eCatalog

Dimensions in Inches (mm)

Hubbell Wiring Device-Kellems • Hubbell Incorporated (Delaware) • 40 Waterview Drive • Shelton, CT 06484

Phone (800) 288-6000 • Fax (800) 255-1031 • Specifications subject to change without notice.

