

LED J-Box Low Profile Disk

Value, Quality, Energy Efficient

Type:	
Catalog #:	
Project:	
Comments:	
Prepared by:	



Description

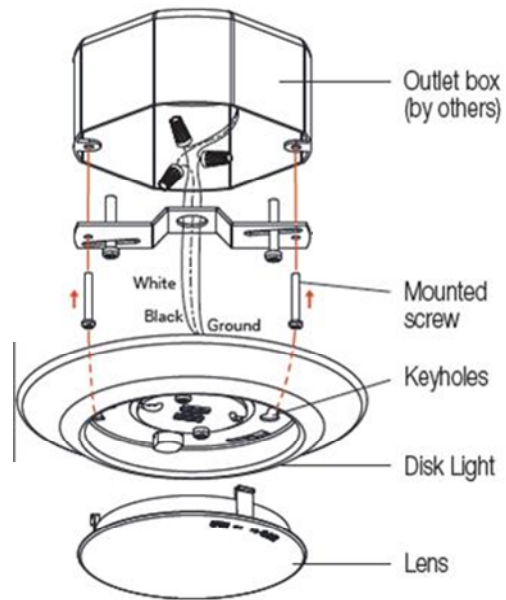
- LED surface mount or recessed module disk light with integrated driver on PC board. Designed for use in most 3-0 (3") or 4-0 (4") J-Box.



Design Features

- **Energy Star Listed- 8756XX-80-3K**
- Mounting bracket accommodates 3-0 (3") or 4-0 (4") J-Box applications.
- 120V LED module with integrated IC chip imbedded on the PC board.
- WET Location Listed
- 10-100% dimmable driver. Driver is compatible with 120V electronic low/line-voltage TRIAC dimmers
- Recommended max fixture load is 30 fixtures per 600W dimmer switch
- Finishes: White (WH), Nickel (BN) or Black (BK)*
- DIA: 5.9" H: 1.25"
- 50,000 hours, 5 Year Limited Warranty

J-box Mounting



CATALOG #	WATTAGE	LUMENS	CCT	INPUT VOLTAGE	DIMMING	CRI
8756XX-80-3K	12	630	3000	120V	Triac 120V	80
8756XX-90-3K	12	630	3000	120V	Triac 120V	90

LED J-Box Low Profile Disk

Value, Quality, Energy Efficient

Type:	
Catalog #:	
Project:	
Comments:	
Prepared by:	



Description

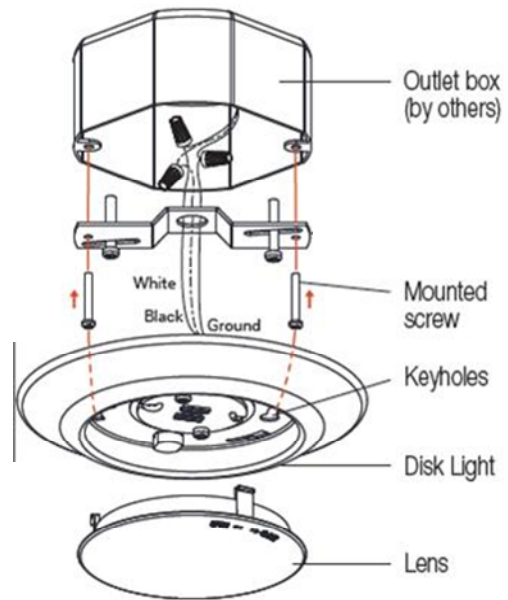
- LED surface mount or recessed module disk light with integrated driver on PC board. Designed for use in most 3-0 (3") or 4-0 (4") J-Box.



Design Features

- **Energy Star Listed- 8756XX-80-3K**
- Mounting bracket accommodates 3-0 (3") or 4-0 (4") J-Box applications.
- 120V LED module with integrated IC chip imbedded on the PC board.
- WET Location Listed
- 10-100% dimmable driver. Driver is compatible with 120V electronic low/line-voltage TRIAC dimmers
- Recommended max fixture load is 30 fixtures per 600W dimmer switch
- Finishes: White (WH), Nickel (BN) or Black (BK)*
- DIA: 5.9" H: 1.25"
- 50,000 hours, 5 Year Limited Warranty

J-box Mounting



CATALOG #	WATTAGE	LUMENS	CCT	INPUT VOLTAGE	DIMMING	CRI
8756XX-80-3K	12	630	3000	120V	Triac 120V	80
8756XX-90-3K	12	630	3000	120V	Triac 120V	90