

# Horns

## Vibrating

### 870 Series



The 870 Series vibrating horns are low-current, high decibel, for heavy-duty use and are UL listed to NEMA 4X, NEMA 12 and NEMA 12K enclosure requirements. The die-cast box is suitable for outdoor use and has a durable, corrosion-resistant, electrostatic heat flowed powder epoxy gray finish. They may be used for indoor and outdoor applications.

Horn mounts on 3/4" NPT conduit or to any flat surface. Knockouts are located on the bottom and rear of the unit.

### Features

- Convenient plug-in assembly
- Corrosion resistant finish
- Volume adjustable
- Completely assembled
- NEMA 4X, NEMA 12 and NEMA 12K rated enclosure
- Operating range: -20% to +10% of nominal volt

### 876 AC

- Adjustable output: 88 to 113dB @ 1m (78 to 103dB @ 10ft.)

### 877 DC

- Adjustable output: 88 to 111dB @ 1m (78 to 101dB @ 10ft.)

### Ordering Information

| Description | Cat. No.            | Operating Voltage <sup>2</sup> | Current | VA   | dB at 1m/10ft. <sup>1</sup> | DC Coil Res (Ohms) |
|-------------|---------------------|--------------------------------|---------|------|-----------------------------|--------------------|
| AC          | 876-E5              | 12V AC                         | 1.25 A  | 15   | 113/103                     | 1.5                |
|             | 876-G5              | 24V AC                         | 0.63 A  | 15.1 | 113/103                     | 5.2                |
|             | 876-N5 <sup>3</sup> | 120V AC                        | 0.13 A  | 15.6 | 113/103                     | 150                |
|             | 876-R5              | 240V AC                        | 0.07 A  | 16.8 | 113/103                     | 580                |
| DC Horn     | 877-E1              | 12V DC                         | 0.27 A  | 3.2  | 111/101                     | 6                  |
|             | 877-G1              | 24V DC                         | 0.16 A  | 3.8  | 111/101                     | 24                 |
|             | 877-J1              | 32V DC                         | 0.13 A  | 4.2  | 111/101                     | 40                 |
|             | 877-K1              | 48V DC                         | 0.07 A  | 3.5  | 111/101                     | 96                 |
|             | 877-P1              | 125V DC                        | 0.025 A | 3.1  | 111/101                     | 600                |

<sup>1</sup>Measured in an anechoic chamber.

<sup>2</sup>AC voltage frequency is 50/60 Hz.

<sup>3</sup>Diode Polarized version available in red, order 886D-N5.

### Accessories

| Description       | Cat. No. |
|-------------------|----------|
| Plastic Projector | 872-PO   |

### Signal Input Load Characteristics

These devices may be operated by PLCs with output characteristics that match the input load requirements of the signal.

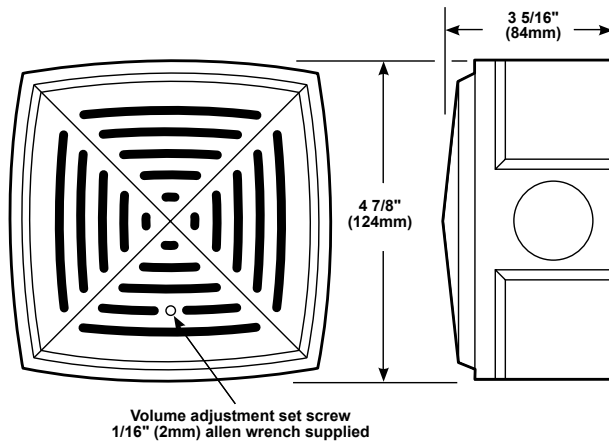
| Cat. No. | Operating Voltage | Max. Off State Leakage Current (A) | Continuous On Current (A) | Surge (Inrush/Duration) Amps/Seconds |
|----------|-------------------|------------------------------------|---------------------------|--------------------------------------|
| 876-N5   | 120V AC           | 0.025                              | 0.120                     | 1.02/.000026                         |
| 877-G1   | 24V DC            | 0.025                              | 0.150                     | 1.7/.000042                          |



# Horns Vibrating 870 Series

## Weights and Dimensions

| Cat. No. | Approx. Net Weight (lb.) | Approx. Shipping Weight (lb.) |
|----------|--------------------------|-------------------------------|
| 876-E5   | 3.20                     | 3.40                          |
| 876-G5   | 3.20                     | 3.40                          |
| 876-N5   | 3.20                     | 3.40                          |
| 876-R5   | 3.20                     | 3.40                          |
| 877-E1   | 3.20                     | 3.40                          |
| 877-G1   | 3.20                     | 3.40                          |
| 877-J1   | 3.20                     | 3.40                          |
| 877-K1   | 3.20                     | 3.40                          |
| 877-P1   | 3.20                     | 3.40                          |
| 872-PO   | 0.34                     | 0.58                          |



# Horns

## Vibrating

### 870 Series



The 870 Series vibrating horns are low-current, high decibel, for heavy-duty use and are UL listed to NEMA 4X, NEMA 12 and NEMA 12K enclosure requirements. The die-cast box is suitable for outdoor use and has a durable, corrosion-resistant, electrostatic heat flowed powder epoxy gray finish. They may be used for indoor and outdoor applications.

Horn mounts on 3/4" NPT conduit or to any flat surface. Knockouts are located on the bottom and rear of the unit.

### Features

- Convenient plug-in assembly
- Corrosion resistant finish
- Volume adjustable
- Completely assembled
- NEMA 4X, NEMA 12 and NEMA 12K rated enclosure
- Operating range: -20% to +10% of nominal volt

### 876 AC

- Adjustable output: 88 to 113dB @ 1m (78 to 103dB @ 10ft.)

### 877 DC

- Adjustable output: 88 to 111dB @ 1m (78 to 101dB @ 10ft.)

### Ordering Information

| Description | Cat. No.            | Operating Voltage <sup>2</sup> | Current | VA   | dB at 1m/10ft. <sup>1</sup> | DC Coil Res (Ohms) |
|-------------|---------------------|--------------------------------|---------|------|-----------------------------|--------------------|
| AC          | 876-E5              | 12V AC                         | 1.25 A  | 15   | 113/103                     | 1.5                |
|             | 876-G5              | 24V AC                         | 0.63 A  | 15.1 | 113/103                     | 5.2                |
|             | 876-N5 <sup>3</sup> | 120V AC                        | 0.13 A  | 15.6 | 113/103                     | 150                |
|             | 876-R5              | 240V AC                        | 0.07 A  | 16.8 | 113/103                     | 580                |
| DC Horn     | 877-E1              | 12V DC                         | 0.27 A  | 3.2  | 111/101                     | 6                  |
|             | 877-G1              | 24V DC                         | 0.16 A  | 3.8  | 111/101                     | 24                 |
|             | 877-J1              | 32V DC                         | 0.13 A  | 4.2  | 111/101                     | 40                 |
|             | 877-K1              | 48V DC                         | 0.07 A  | 3.5  | 111/101                     | 96                 |
|             | 877-P1              | 125V DC                        | 0.025 A | 3.1  | 111/101                     | 600                |

<sup>1</sup>Measured in an anechoic chamber.

<sup>2</sup>AC voltage frequency is 50/60 Hz.

<sup>3</sup>Diode Polarized version available in red, order 886D-N5.

### Accessories

| Description       | Cat. No. |
|-------------------|----------|
| Plastic Projector | 872-PO   |

### Signal Input Load Characteristics

These devices may be operated by PLCs with output characteristics that match the input load requirements of the signal.

| Cat. No. | Operating Voltage | Max. Off State Leakage Current (A) | Continuous On Current (A) | Surge (Inrush/Duration) Amps/Seconds |
|----------|-------------------|------------------------------------|---------------------------|--------------------------------------|
| 876-N5   | 120V AC           | 0.025                              | 0.120                     | 1.02/.000026                         |
| 877-G1   | 24V DC            | 0.025                              | 0.150                     | 1.7/.000042                          |



# Horns Vibrating 870 Series

## Weights and Dimensions

| Cat. No. | Approx. Net Weight (lb.) | Approx. Shipping Weight (lb.) |
|----------|--------------------------|-------------------------------|
| 876-E5   | 3.20                     | 3.40                          |
| 876-G5   | 3.20                     | 3.40                          |
| 876-N5   | 3.20                     | 3.40                          |
| 876-R5   | 3.20                     | 3.40                          |
| 877-E1   | 3.20                     | 3.40                          |
| 877-G1   | 3.20                     | 3.40                          |
| 877-J1   | 3.20                     | 3.40                          |
| 877-K1   | 3.20                     | 3.40                          |
| 877-P1   | 3.20                     | 3.40                          |
| 872-PO   | 0.34                     | 0.58                          |

