



**Walker® Infloor Systems**

# Ratchet-Pro PVC Floor Box INSTALLATION INSTRUCTIONS

Installation Instruction No.: 1 003 709 R1 – Updated July 2004

Walker® electrical systems conform to and should be properly grounded in compliance with requirements of the current National Electrical Code or codes administered by local authorities.

All electrical products may present a possible shock or fire hazard if improperly installed or used. Walker electrical products may bear the mark as UL Listed and/or Classified and should be installed in conformance with current local and/or the National Electrical Code.

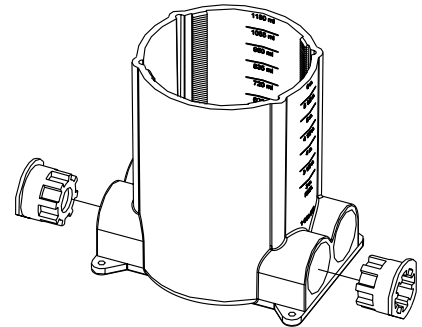
**IMPORTANT: Please read all instructions before beginning.**

**Products Covered:** 881 Floor Box

For use in 3" [76.2mm] minimum concrete pours.

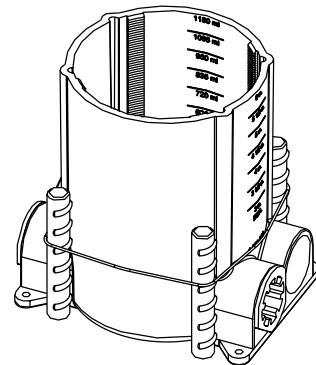
## CONCRETE PREPARATION:

1. Cement conduit closure plugs to unused ports or use conduit reducers if reduction from 1" trade size is required. Knockout must be removed from closure plug for use with 3/4" trade size conduit.

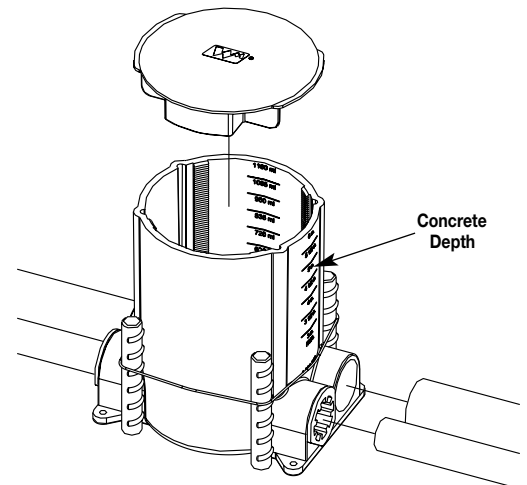


2. Position box and secure to prevent floating during the concrete pour (Orientation of the receptacle is aligned with the conduit). For above grade, screw or nail the box to the concrete form. For on-grade applications, drive rebar next to the box and secure with wire.

**CAUTION:** Make sure the rebar is below the screed level of the concrete.



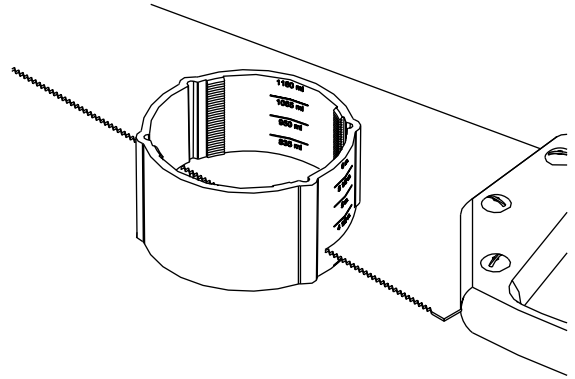
3. Cut the conduit to length and cement to ports or reducers. Install concrete cap and pour concrete to desired depth using the graduated markings on the box exterior as a guide.



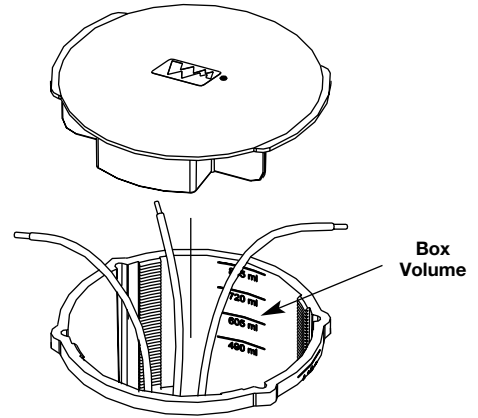
**BOX ACTIVATION:**

1. After concrete has cured, saw off the remainder of the box with a wood saw. Box height is to be cut 1/8" [3.2 mm] below the final height of the carpet or tile floor covering. For 1/8" [3.2 mm] thick tile, cut the box flush with the floor.

**CAUTION:** Box must be cut square and parallel with the floor surface.



2. Pull wires to the box (see chart below for wiring capacity for each cover). Re-insert the concrete cap to prevent damage to the box until the cover is ready to be installed.



Volume Capacities For Ratchet-Pro PVC Floor Box									
BOX HEIGHT		Single Service 895 & 896 Activations		Dual Service 895DCC Activation		Dual Service 881CTC, 881RC4ATC, 897CTC, 897CFFTC & 899CTC Activations		Single Service 881CM2TC, Activations	
		WIRING VOLUME		WIRING VOLUME (with Divider)		WIRING VOLUME (with Divider)		WIRING VOLUME	
Inches	[mm]	Cu. Inches	[ml]	Cu. Inches	[ml]	Cu. Inches	[ml]	Cu. Inches	[ml]
6	[152.0]	65.0	[1065.0]	45.0	[738.0]	27.9	[457.0]	47.9	[784.0]
5 1/2	[140.0]	58.0	[950.0]	39.3	[644.0]	22.2	[364.0]	40.9	[670.0]
5	[127.0]	51.0	[835.0]	33.6	[551.0]	16.5	[270.0]	33.9	[554.0]
4 1/2	[114.0]	44.0	[720.0]	27.9	[457.0]	10.8	[177.0]	26.9	[440.0]
4	[102.0]	37.0	[605.0]	22.2	[364.0]	<b>CAUTION: Do not use in concrete pours less than 4 1/2" [114mm].</b>	<b>CAUTION: Do not use in concrete pours less than 4 1/2" [114mm].</b>		
3 1/2	[89.0]	30.0	[490.0]	16.5	[270.0]				
3	[76.0]	23.0	[377.0]	10.8	[177.0]				



**The Wiremold Company**  
 U.S. and International:  
 60 Woodlawn Street • West Hartford, CT 06110  
 1-800-621-0049 • FAX 860-232-2062 • Outside U.S.: 860-233-6251  
 Canada:  
 850 Gartshore Street • Fergus, Ontario N1M 2W8  
 1-800-741-7957 • FAX 519-843-5980

