



Catalog Number: 886-SC3R-NK
Item Description: N3R SCREW COVER ENCL NK
UPC Code: 784572109582

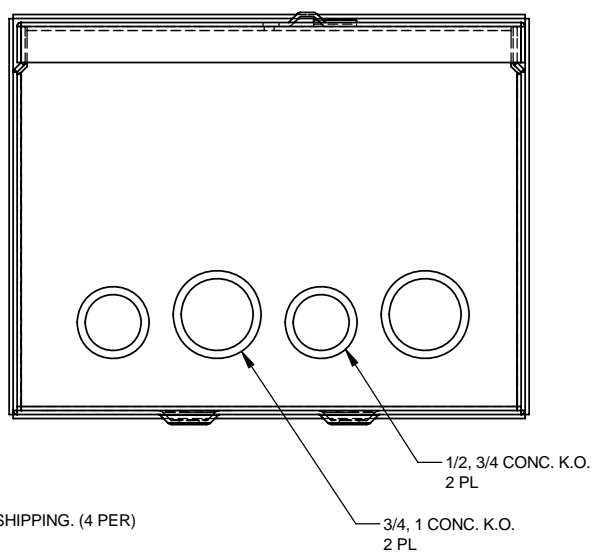
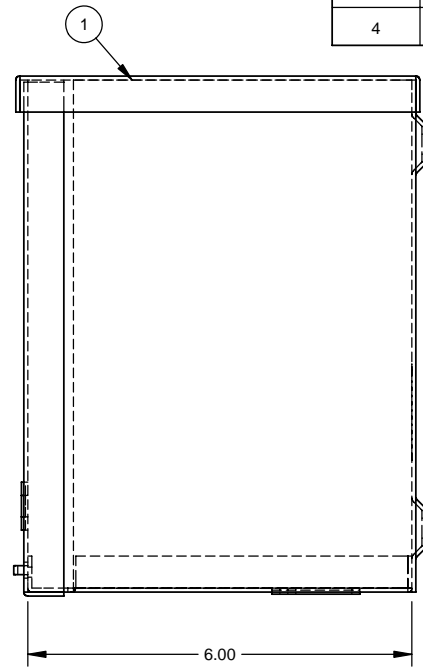
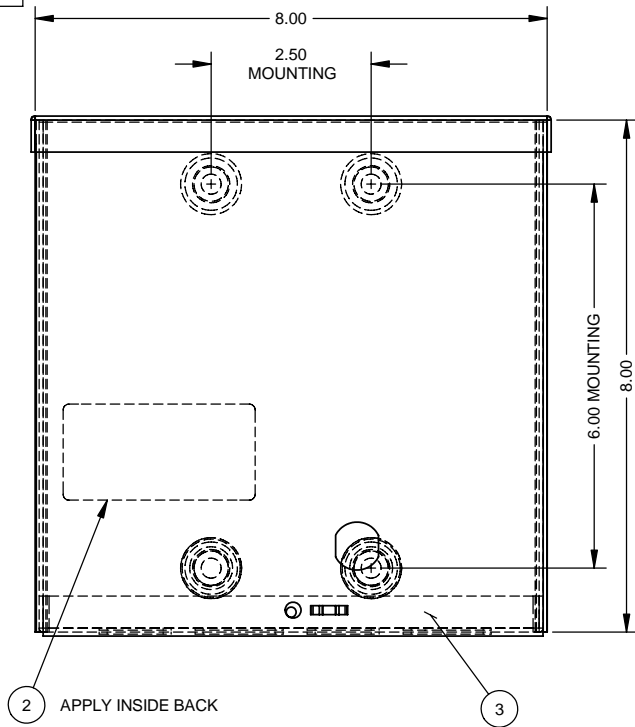
Brand Name: Milbank
Type: Screw Cover
Special Features: Drip Shield Top, Cover Secured with Plated Screw, Mounting Embosses on Enclosure Back
Application: Enclosure for Mounting Electrical Equipment
Standard: UL Listed
Number Of Outlet: 0
Material: Steel with Powder Coat Finish
Color: ANSI 61 Gray
Mounting: Wall Mount
NEMA Rating: Type 3R



Utility requirements may vary. Always consult the serving utility for their requirements prior to ordering or installing this equipment. This product must always be installed by a licensed electrician. Installation of this equipment may require local electrical inspector approval.

CATALOG#	LABEL#
886-SC3R	1002135
RC-886-SC3R	1125021
SPRSC-886	1132714

ITEM	187/QTY.	PART NUMBER	DESCRIPTION
1	1	(SEE CHART)	SHELL WELDMENT
2	1	(SEE CHART)	LABEL (UL)
3	1	1011028	FRONT
4	1	1002170	BAG OF NEMA SCREWS



NOTE:
1. USE CARTON (1003389) FOR SHIPPING. (4 PER)

SUFFIX	SHELL WELDMENT #	K.O.'s	FINISH
NONE	1153770	YES	MILBANK LIGHT GRAY
NK	1153784	NO	
NP	1153782	YES	NONE
NK-NP	1153783	NO	

REV	DATE	DESCRIPTION	BY
B2	8-4-06	mECO #14958, ADDED NOTE #2	CMW
B3	6/2/08	ADDED CHART & REMOVED NOTE #2 (ECO. 17139)	JLT
B4	6-13-11	UPDATED TO M2K; ADDED WELDMENT CHART; 1001270 WAS 1001290 (ECO #20813)	DL

Material:	GALVANIZED		<p>General Offices: Kansas City, MO</p>
Shear/ Die#:			
Finish:	ANSI 61 GRAY		
Part Wt.:			
Tolerances: Unless Specified Otherwise X.X ±.1 X.XX ±.03 X.XXX ±.015 X* ±2*		Third Angle 	
Title:	8 x 8 x 6 SCREW COVER TYPE 3R ENCLOSURE		Catalog No.:
Customer:	MILBANK STANDARD		Drawing No.:
Date:	03/12/03	Sheet	1 of 1



Catalog Number: 886-SC3R-NK
Item Description: N3R SCREW COVER ENCL NK
UPC Code: 784572109582

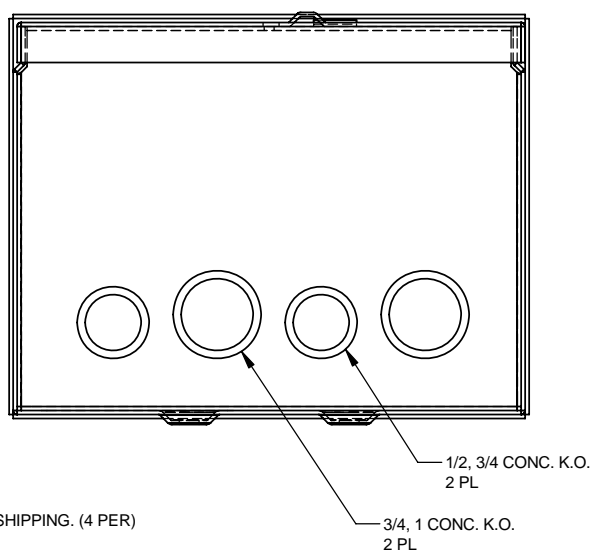
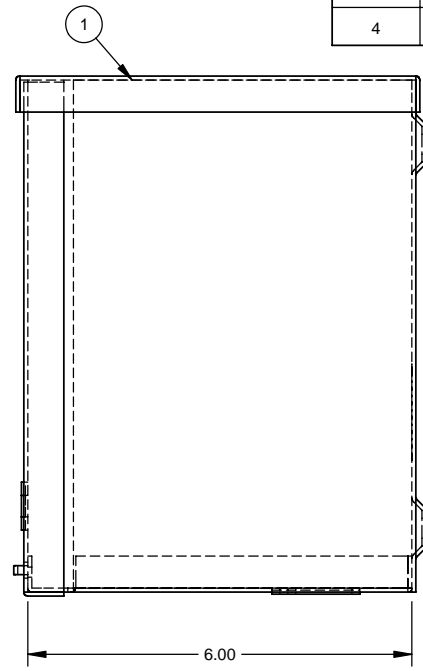
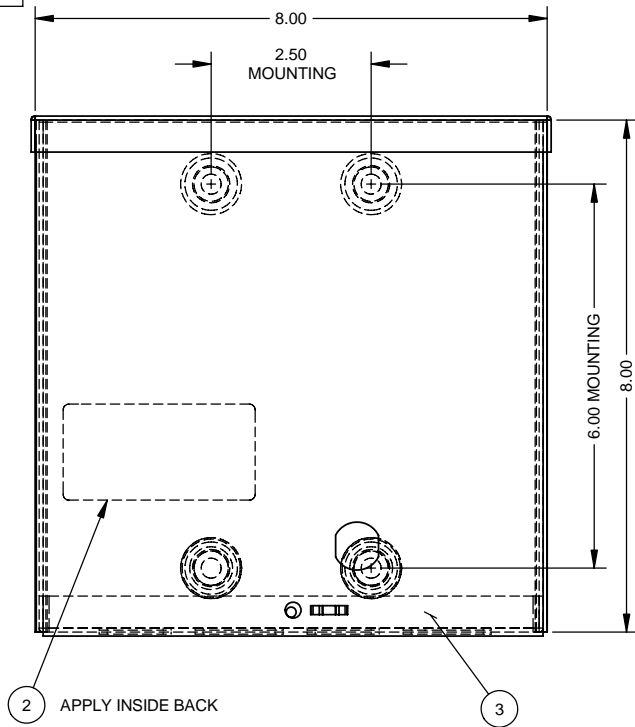
Brand Name: Milbank
Type: Screw Cover
Special Features: Drip Shield Top, Cover Secured with Plated Screw, Mounting Embosses on Enclosure Back
Application: Enclosure for Mounting Electrical Equipment
Standard: UL Listed
Number Of Outlet: 0
Material: Steel with Powder Coat Finish
Color: ANSI 61 Gray
Mounting: Wall Mount
NEMA Rating: Type 3R



Utility requirements may vary. Always consult the serving utility for their requirements prior to ordering or installing this equipment. This product must always be installed by a licensed electrician. Installation of this equipment may require local electrical inspector approval.

CATALOG#	LABEL#
886-SC3R	1002135
RC-886-SC3R	1125021
SPRSC-886	1132714


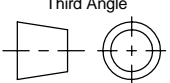
ITEM	187/QTY.	PART NUMBER	DESCRIPTION
1	1	(SEE CHART)	SHELL WELDMENT
2	1	(SEE CHART)	LABEL (UL)
3	1	1011028	FRONT
4	1	1002170	BAG OF NEMA SCREWS



NOTE:
1. USE CARTON (1003389) FOR SHIPPING. (4 PER)

SUFFIX	SHELL WELDMENT #	K.O.'s	FINISH
NONE	1153770	YES	MILBANK LIGHT GRAY
NK	1153784	NO	
NP	1153782	YES	NONE
NK-NP	1153783	NO	

REV	DATE	DESCRIPTION	BY
B2	8-4-06	mECO #14958, ADDED NOTE #2	CMW
B3	6/2/08	ADDED CHART & REMOVED NOTE #2 (ECO. 17139)	JLT
B4	6-13-11	UPDATED TO M2K; ADDED WELDMENT CHART; 1001270 WAS 1001290 (ECO #20813)	DL

Material:	GALVANIZED		 General Offices: Kansas City, MO
Shear/ Die#:			
Finish:	ANSI 61 GRAY		
Part Wt.:			
Tolerances: Unless Specified Otherwise X.X ±.1 X.XX ±.03 X.XXX ±.015 X* ±2*		Third Angle 	
Scale:	NTS	Checked By:	
Drawn By:	DY	Approved By:	
Title:		8 x 8 x 6 SCREW COVER TYPE 3R ENCLOSURE	
Catalog No.:			
Customer:		MILBANK STANDARD	
Drawing No.:		187	
Date:	03/12/03	Sheet	1 of 1