



Catalog Number: 88GC
Item Description: WIREWAY ACCESSORY
UPC Code: 784572109773

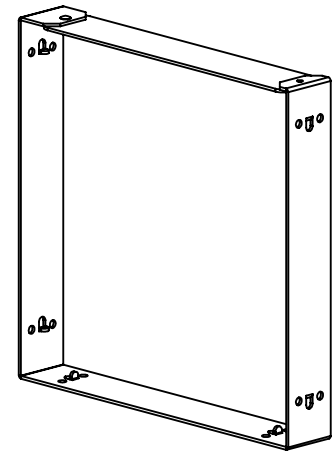
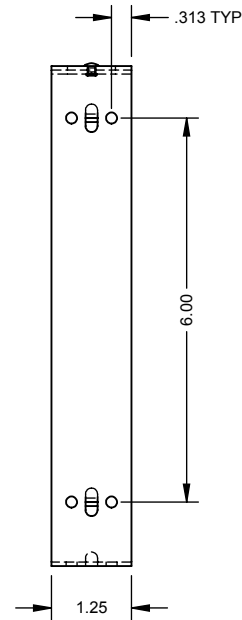
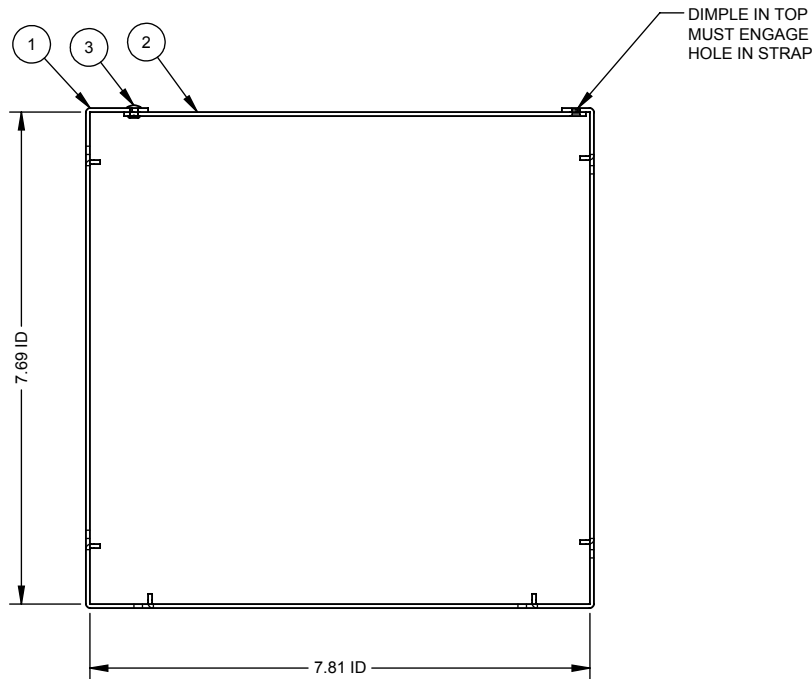
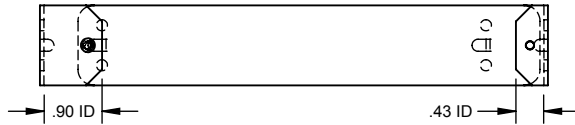
Brand Name: Milbank
Type: Wireway Connector
Application: Wireway Accessory
Standard: Type 4
Enclosure: Indoor Enclosure
Material: G90 Galvanized Steel
Finish: ANSI 61 Gray
Knockouts: False


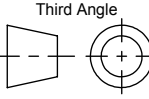


Utility requirements may vary. Always consult the serving utility for their requirements prior to ordering or installing this equipment. This product must always be installed by a licensed electrician. Installation of this equipment may require local electrical inspector approval.

CATALOG #	
88GC	MILBANK
SPC-88	SCHAEFER
RC-88GC	RITTAL

ITEM	QTY.	PART NUMBER	DESCRIPTION
1	1	1002271	CONNECTOR STRAP
2	1	1002280	TOP STRAP
3	1	1000040	RIVET .125 X .218



Material:	16 GA. - GALV.	 General Offices: Kansas City, MO								
Finish:	NONE									
Tolerances: Unless Specified Otherwise X.X ±.1 X.XX ±.03 X.XXX ±.015 X° ±2°		Title: 8 x 8 CONNECTOR SCREW COVER WIREWAY Catalog No.: (SEE CHART) Ref: Drawing No.: 1002575								
Third Angle Projection 		Scale: NTS Checked By: Drawn By: DC Approved By:								
E1	10/4/04	REDRAWN TO SOLIDWORKS	DC				Date:	10/4/04	Sheet	1 of 1
E2	4/2/08	ADDED CATALOG CHART(ECO.16960)	JLT							



Catalog Number: 88GC
Item Description: WIREWAY ACCESSORY
UPC Code: 784572109773

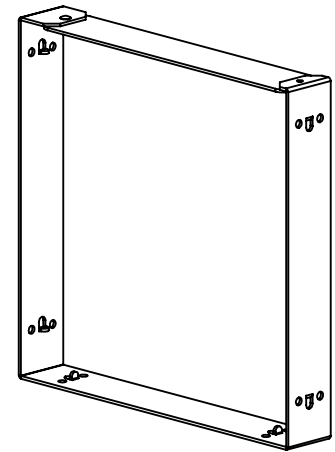
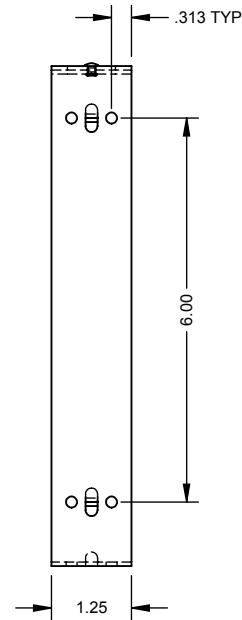
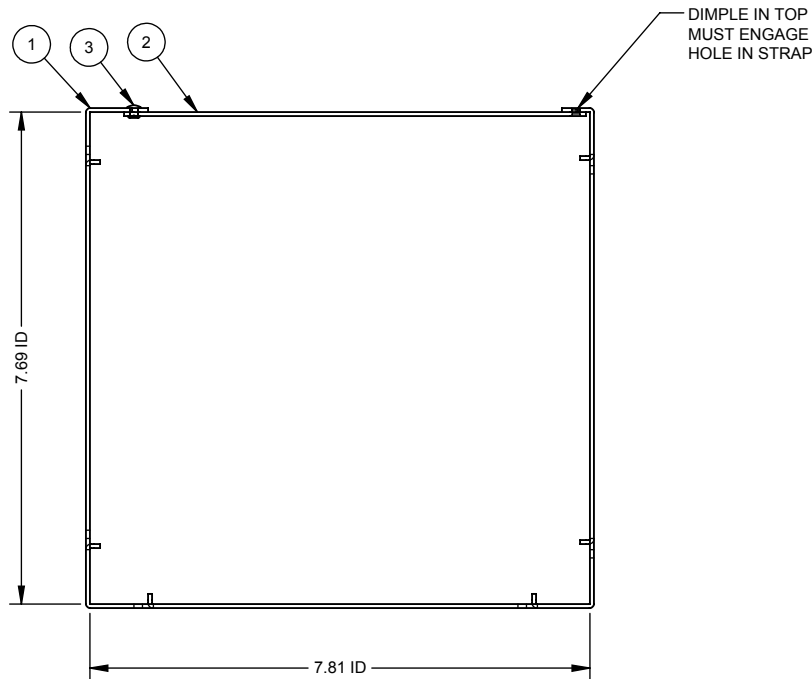
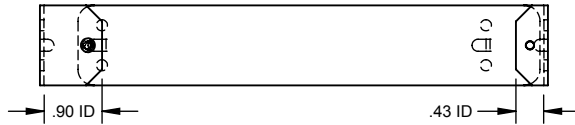
Brand Name: Milbank
Type: Wireway Connector
Application: Wireway Accessory
Standard: Type 4
Enclosure: Indoor Enclosure
Material: G90 Galvanized Steel
Finish: ANSI 61 Gray
Knockouts: False


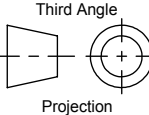


Utility requirements may vary. Always consult the serving utility for their requirements prior to ordering or installing this equipment. This product must always be installed by a licensed electrician. Installation of this equipment may require local electrical inspector approval.

CATALOG #	
88GC	MILBANK
SPC-88	SCHAEFER
RC-88GC	RITTAL

ITEM	QTY.	PART NUMBER	DESCRIPTION
1	1	1002271	CONNECTOR STRAP
2	1	1002280	TOP STRAP
3	1	1000040	RIVET .125 X .218



Material:	16 GA. - GALV.	 MILBANK MANUFACTURING CO.	General Offices: Kansas City, MO		
Finish:	NONE		Title:	8 x 8 CONNECTOR SCREW COVER WIREWAY	
Tolerances: Unless Specified Otherwise X.X ±.1 X.XX ±.03 X.XXX ±.015 X° ±2°		 Third Angle Projection		Catalog No.:	(SEE CHART)
Scale: NTS		Checked By:	Ref:		
Drawn By: DC		Approved By:	Drawing No.:	1002575	
		Date:	10/4/04	Sheet 1 of 1	

E1	10/4/04	REDRAWN TO SOLIDWORKS	DC			
E2	4/2/08	ADDED CATALOG CHART(ECO.16960)	JLT			