

## DESCRIPTION

SNLED Base is a narrow LED striplight series. This high quality luminaire is dedicated to the latest solid state lighting and electronic driver technology for optimal performance and energy efficiency.

The small size of the SNLED makes it an ideal choice for size restricted architectural applications. The SNLED Series can be the illumination solution in commercial, industrial, retail and residential applications. Fixtures can be used in storage/utility areas, coves, display cases, shops, tasks and general area lighting.

## SPECIFICATION FEATURES

### Construction

Channel is die formed cold rolled steel with numerous KOs for ease of installation. Groove for Tong Hanger. End plate quickly converts to snap-in channel connector for continuous row alignment. Channel/wireway cover secured with sheet metal screws.

### Controls

Equipped standard with a 0-10V continuous dimming driver that works with any standard 0-10V control/dimmer. Combine with energy saving products like occupancy sensors, day lighting controls, and lighting relay panels to maximize energy savings. For motion control, reference options for both end and middle of the row applications. Standard dimming is 0-10V to 10% with 1%, step and Fifth Light DALI dimming options available.

### Electrical

Long-Life LED system coupled with electrical driver to deliver optimal performance. LED's available in 3000K, 3500K, 4000K or 5000K with a minimum of 80 CRI. Projected

life at 70% lumen maintenance is nearly 170,000 hours with TM21 rating up to L82 >60,000 hours. Electronic drivers are cULus recognized and available for 120-277V, 347V and 480V applications.

### Emergency Battery Pack Option

Optional 120v-277v integral emergency battery pack is available in 7-watts or 14-watts to meet critical life-safety lighting requirements. The 90-minute batteries provide constant power to the LED system, ensuring code-compliance. A test switch/indicator button can be tested safely from the ground using a laser pointer, while the patented EZ Key prevents accidental discharge of the battery during construction. Emergency/generator transfer options available – see ordering information for details.

Catalog #

Type

Project

Comments

Date

Prepared by

### Installation

Fixture may be surface, pendant, or stem mounted. See accessories below (order separately).

### Compliance

Components are UL recognized. Indoor luminaires are cULus listed for 40° C ambient environments, RoHS compliant, damp location listed, and comply with IESNA LM-79. LEDs comply with LM-80 standards. Drivers are NEMA 410 compliant. DesignLights Consortium® Qualified and classified for both DLC Standard and DLC Premium, refer to www.designlights.org for details.

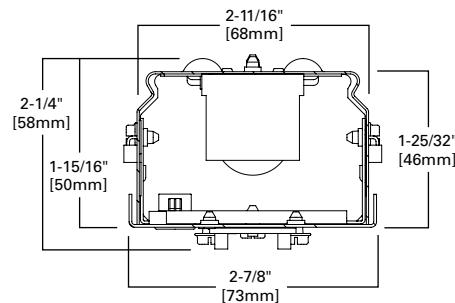
### Warranty

Five-year warranty.

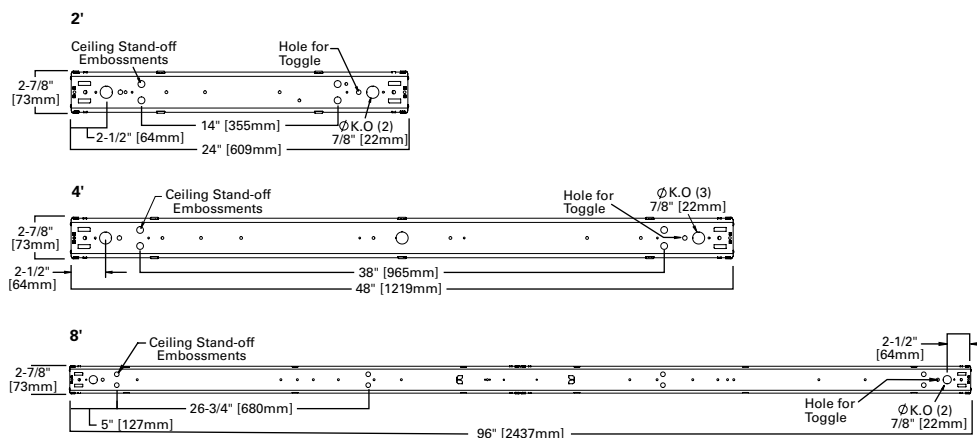


## SNLED BASE LED

LED Striplight



## MOUNTING DATA



## WATTAGE

SNLED Type	Lumen Type	Length	Catalog Number	Nominal 3500K Lumens	Wattage	lm/W
Base	Standard	2 ft.	2SNLED-LD5-20SL-UNV-L8XX-CD1-U	2090	15.9	131
Base	Standard	2 ft.	2SNLED-LD5-24SL-UNV-L8XX-CD1-U	2412	17.2	140
Base	Standard	2 ft.	2SNLED-LD5-28SL-UNV-L8XX-CD1-U	2761	20.1	137
Base	High	2 ft.	2SNLED-LD5-37HL-UNV-L8XX-CD1-U	3750	25.8	145

Base	Standard	4 ft.	4SNLED-LD5-20SL-UNV-L8XX-CD1-U	2000	14.6	137
Base	Standard	4 ft.	4SNLED-LD5-24SL-UNV-L8XX-CD1-U	2437	16.0	152
Base	Standard	4 ft.	4SNLED-LD5-28SL-UNV-L8XX-CD1-U	2891	19.3	150
Base	Standard	4 ft.	4SNLED-LD5-32SL-UNV-L8XX-CD1-U	3273	22.1	148
Base	Standard	4 ft.	4SNLED-LD5-36SL-UNV-L8XX-CD1-U	3649	24.9	147
Base	Standard	4 ft.	4SNLED-LD5-40SL-UNV-L8XX-CD1-U	4004	27.7	145
Base	Standard	4 ft.	4SNLED-LD5-44SL-UNV-L8XX-CD1-U	4359	30.6	143
Base	Standard	4 ft.	4SNLED-LD5-48SL-UNV-L8XX-CD1-U	4816	34.6	139
Base	Standard	4 ft.	4SNLED-LD5-52SL-UNV-L8XX-CD1-U	5257	38.7	136
Base	Standard	4 ft.	4SNLED-LD5-56SL-UNV-L8XX-CD1-U	5679	42.8	133
Base	Standard	4 ft.	4SNLED-LD5-60SL-UNV-L8XX-CD1-U	6087	47.1	129
Base	Standard	4 ft.	4SNLED-LD5-64SL-UNV-L8XX-CD1-U	6486	51.5	126
Base	Standard	4 ft.	4SNLED-LD5-68SL-UNV-L8XX-CD1-U	6755	54.9	123
Base	High	4 ft.	4SNLED-LD5-56HL-UNV-L8XX-CD1-U	5682	37.0	153
Base	High	4 ft.	4SNLED-LD5-60HL-UNV-L8XX-CD1-U	6068	40.0	152
Base	High	4 ft.	4SNLED-LD5-64HL-UNV-L8XX-CD1-U	6450	43.0	150
Base	High	4 ft.	4SNLED-LD5-85HL-UNV-L8XX-CD1-U	8388	61.8	136

Base	Standard	8 ft.	8TSNLED-LD5-64SL-UNV-L8XX-CD1-U	6546	44.1	148
Base	Standard	8 ft.	8TSNLED-LD5-72SL-UNV-L8XX-CD1-U	7298	49.7	147
Base	Standard	8 ft.	8TSNLED-LD5-80SL-UNV-L8XX-CD1-U	8008	55.4	145
Base	Standard	8 ft.	8TSNLED-LD5-88SL-UNV-L8XX-CD1-U	8718	61.2	143
Base	Standard	8 ft.	8TSNLED-LD5-96SL-UNV-L8XX-CD1-U	9632	69.2	139
Base	Standard	8 ft.	8TSNLED-LD5-104SL-UNV-L8XX-CD1-U	10514	77.4	136
Base	Standard	8 ft.	8TSNLED-LD5-112SL-UNV-L8XX-CD1-U	11358	85.6	133
Base	High	8 ft.	8TSNLED-LD5-130HL-UNV-L8XX-CD1-U	12900	85.9	150
Base	High	8 ft.	8TSNLED-LD5-170HL-UNV-L8XX-CD2-U	16776	123.6	136

\* Stocked in either 3500K or 4000K. Check Flash for stock availability.

## PHOTOMETRICS

See website for IES/photometric files

## TYPICAL LUMEN MAINTENANCE

Ambient Temperature	TM-21 Lumen Maintenance (60,000 hours)	Theoretical L70 (Hours)
25°C	82%	> 170,000

Max Ambient temp in compliance with UL: 40°C

ORDERING INFORMATION

SAMPLE NUMBER: 4SNLED-LD5-48SL-UNV-L840-U

<p>2=2' Length 4=4' Length 8T=8' Length</p>	<p><b>Voltage</b> UNV=Universal Voltage 120-277 347=347V 480=480V <sup>(3)</sup></p>	<p><b>Driver Type</b> CD=0-10V Dimming Driver (10% - 100% Dimming) HCD=0-10V Dimming Driver (1% - 100% Dimming) <sup>(8)</sup> SD=Step-dim (Bi Level) <sup>(8),(7)</sup> 5LTD=Fiwh Light (DALI) Driver <sup>(3),(6)</sup></p>	<p><b>Packaging</b> U=Unit Pack</p>
<p><b>Series</b> SNLED=Commercial LED Striplight <sup>(12)</sup></p>	<p><b>Options</b> <b>Emergency</b> EL7W=7-watt, 120V-277V emergency battery pack installed <sup>(3),(6)</sup> EL14W=14-watt 120V-277V emergency battery pack installed <sup>(3),(6)</sup> GTR2=Bodine Generator Transfer Relay <sup>(9)</sup> ETR2=lota Emergency Transfer Relay <sup>(9)</sup> ETRD=lota Emergency Transfer Relay with dimming control <sup>(9)</sup></p>	<p><b>Number of Drivers</b> 1=1 Driver 2=2 Drivers</p>	<p><b>ACCESSORIES</b></p>
<p><b>Lamp Type</b> LD5=LED 5.0</p>	<p><b>Wiring</b> PI/CPI=Plug in and cross over plug in options <sup>(11)</sup> PC6/515P=(NEMA 5-15P) 6' Cord with NEMA Straight Plug <sup>(10),(11)</sup> PC6/L715=(NEMA L7-15P) 6' Cord with NEMA Twist Plug <sup>(10),(11)</sup></p>	<p>(Order Separately) AYC=Chain/Set=36" Chain Hanger (Use 1 set per fixture) SCF=Fixed Stem Set (Specify Length) SCS=Swivel Stem Set (Specify Length) SCA=Adjustable 48" Stem Set EYE CHAIN SET/3FT=Eye Bolt Chain (Use 1 set per fixture) WG/SNF-2FT=2' Wire Guard WG/SNF-4FT=4' Wire Guard A1B/Spacer-U=Spacer 1-1/2" to 2-1/2" from ceiling (Use 2 per fixture) TOGGLE=Single Toggle No. 2 (Specify Length) Y-TOGGLE=Y Toggle No. 2 (Specify Length)</p>	
<p><b>Lumen Package</b> <sup>(1)</sup> <b>Stocked Lumen Packages</b> 24SL 28SL 32SL 48SL 80SL 88SL</p> <p><b>MTO Lumen Packages</b> 20SL 36SL 37HL 40SL 44SL 52SL 56SL 56HL 60SL 60HL 64SL 64HL 68SL 72SL 85HL 96SL 104SL 112SL 130HL 170HL <sup>(2)</sup></p>	<p><b>Motion Sensors</b> LB-ERMS360=360° Low Bay Motion Sensor - End of Row LB-MRMS360=360° Low Bay Motion Sensor - Middle of Row HB-ERMS360=360° High Bay Motion Sensor - End of Row <sup>(4)</sup> HB-MRMS360=360° High Bay Motion Sensor - Middle of Row <sup>(4)</sup> <b>CCT</b> L830=3000K L835=3500K L840=4000K L850=5000K</p>		

NOTES: <sup>(1)</sup> Nominal lumen values. See table for values and fixture length. <sup>(2)</sup> Two driver required. <sup>(3)</sup> 4 ft. and 8 ft. only. <sup>(4)</sup> Motion Sensor offers dimmability. <sup>(5)</sup> Available for 41 watts and above. Two drivers required for 85 watts and above. For a complete listing of Fifth Light products, visit [www.eaton.com/lightingsystems](http://www.eaton.com/lightingsystems) <sup>(6)</sup> With integral test switch/indicator/laser test. For approximate delivered lumens multiply the lumens per watt of the desired fixture by the wattage of the emergency battery pack (100 lm/W x 7=700 lumens). IES-format photometry for luminaire under emergency operation available. <sup>(7)</sup> Available for 41 Watts and above. Two drivers required for 69 watts and above. <sup>(8)</sup> Requires two drivers for 61 watts and above. <sup>(9)</sup> Used to bypass local control during outage. Must be used in conjunction with UL 1008 device (provided by others). GTR2 and ETR2 options include 2 relays on fixtures with dimming drivers. ETRD option only requires one relay when used on a dimming fixture. Must specify voltage as 120V or 277V when ordering these devices. <sup>(10)</sup> Most common C&P shown. Must specify location for cord. All "end" locations will be on the end with sensor installed. <sup>(11)</sup> Consult tech support on numerous options for this feature. <sup>(12)</sup> DesignLights Consortium® Qualified and classified for both DLC Standard and DLC Premium, refer to [www.designlights.org](http://www.designlights.org) for details.

Specifications & dimensions subject to change without notice. Consult your Eaton Representative for availability and ordering information.

SHIPPING DATA

Length.	Wt.
2 ft.	3.8 lbs.
4 ft.	7.2 lbs.
8 ft.	13.1 lbs.

## DESCRIPTION

SNLED Base is a narrow LED striplight series. This high quality luminaire is dedicated to the latest solid state lighting and electronic driver technology for optimal performance and energy efficiency.

The small size of the SNLED makes it an ideal choice for size restricted architectural applications. The SNLED Series can be the illumination solution in commercial, industrial, retail and residential applications. Fixtures can be used in storage/utility areas, coves, display cases, shops, tasks and general area lighting.

## SPECIFICATION FEATURES

### Construction

Channel is die formed cold rolled steel with numerous KOs for ease of installation. Groove for Tong Hanger. End plate quickly converts to snap-in channel connector for continuous row alignment. Channel/wireway cover secured with sheet metal screws.

### Controls

Equipped standard with a 0-10V continuous dimming driver that works with any standard 0-10V control/dimmer. Combine with energy saving products like occupancy sensors, day lighting controls, and lighting relay panels to maximize energy savings. For motion control, reference options for both end and middle of the row applications. Standard dimming is 0-10V to 10% with 1%, step and Fifth Light DALI dimming options available.

### Electrical

Long-Life LED system coupled with electrical driver to deliver optimal performance. LED's available in 3000K, 3500K, 4000K or 5000K with a minimum of 80 CRI. Projected

life at 70% lumen maintenance is nearly 170,000 hours with TM21 rating up to L82 >60,000 hours. Electronic drivers are cULus recognized and available for 120-277V, 347V and 480V applications.

### Emergency Battery Pack Option

Optional 120v-277v integral emergency battery pack is available in 7-watts or 14-watts to meet critical life-safety lighting requirements. The 90-minute batteries provide constant power to the LED system, ensuring code-compliance. A test switch/indicator button can be tested safely from the ground using a laser pointer, while the patented EZ Key prevents accidental discharge of the battery during construction. Emergency/generator transfer options available – see ordering information for details.

Catalog #

Type

Project

Comments

Date

Prepared by

### Installation

Fixture may be surface, pendant, or stem mounted. See accessories below (order separately).

### Compliance

Components are UL recognized. Indoor luminaires are cULus listed for 40° C ambient environments, RoHS compliant, damp location listed, and comply with IESNA LM-79. LEDs comply with LM-80 standards. Drivers are NEMA 410 compliant. DesignLights Consortium® Qualified and classified for both DLC Standard and DLC Premium, refer to www.designlights.org for details.

### Warranty

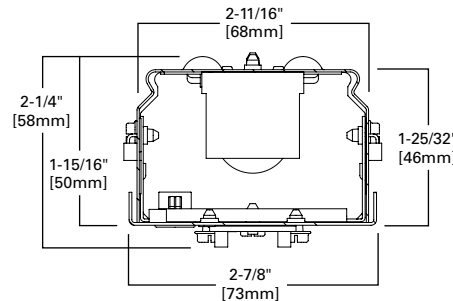
Five-year warranty.



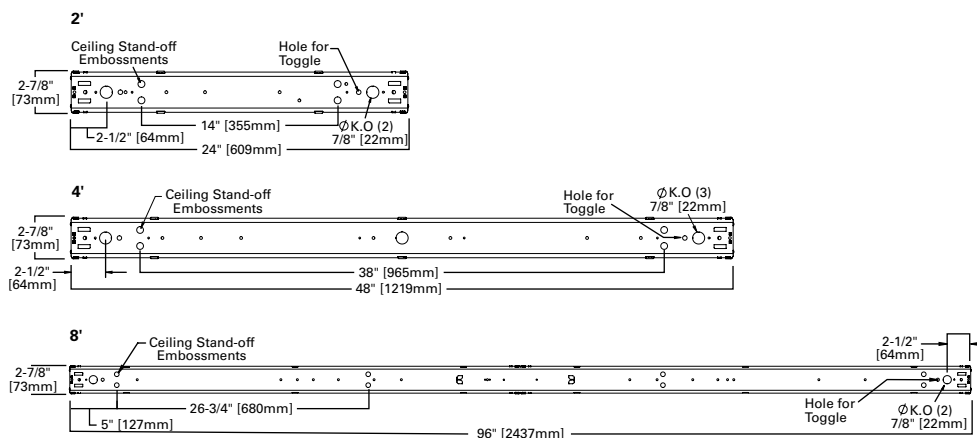
## SNLED BASE LED

LED Striplight

powered by  
**fifthlight**  
technology



## MOUNTING DATA



## WATTAGE

SNLED Type	Lumen Type	Length	Catalog Number	Nominal 3500K Lumens	Wattage	lm/W
Base	Standard	2 ft.	2SNLED-LD5-20SL-UNV-L8XX-CD1-U	2090	15.9	131
Base	Standard	2 ft.	2SNLED-LD5-24SL-UNV-L8XX-CD1-U	2412	17.2	140
Base	Standard	2 ft.	2SNLED-LD5-28SL-UNV-L8XX-CD1-U	2761	20.1	137
Base	High	2 ft.	2SNLED-LD5-37HL-UNV-L8XX-CD1-U	3750	25.8	145

Base	Standard	4 ft.	4SNLED-LD5-20SL-UNV-L8XX-CD1-U	2000	14.6	137
Base	Standard	4 ft.	4SNLED-LD5-24SL-UNV-L8XX-CD1-U	2437	16.0	152
Base	Standard	4 ft.	4SNLED-LD5-28SL-UNV-L8XX-CD1-U	2891	19.3	150
Base	Standard	4 ft.	4SNLED-LD5-32SL-UNV-L8XX-CD1-U	3273	22.1	148
Base	Standard	4 ft.	4SNLED-LD5-36SL-UNV-L8XX-CD1-U	3649	24.9	147
Base	Standard	4 ft.	4SNLED-LD5-40SL-UNV-L8XX-CD1-U	4004	27.7	145
Base	Standard	4 ft.	4SNLED-LD5-44SL-UNV-L8XX-CD1-U	4359	30.6	143
Base	Standard	4 ft.	4SNLED-LD5-48SL-UNV-L8XX-CD1-U	4816	34.6	139
Base	Standard	4 ft.	4SNLED-LD5-52SL-UNV-L8XX-CD1-U	5257	38.7	136
Base	Standard	4 ft.	4SNLED-LD5-56SL-UNV-L8XX-CD1-U	5679	42.8	133
Base	Standard	4 ft.	4SNLED-LD5-60SL-UNV-L8XX-CD1-U	6087	47.1	129
Base	Standard	4 ft.	4SNLED-LD5-64SL-UNV-L8XX-CD1-U	6486	51.5	126
Base	Standard	4 ft.	4SNLED-LD5-68SL-UNV-L8XX-CD1-U	6755	54.9	123
Base	High	4 ft.	4SNLED-LD5-56HL-UNV-L8XX-CD1-U	5682	37.0	153
Base	High	4 ft.	4SNLED-LD5-60HL-UNV-L8XX-CD1-U	6068	40.0	152
Base	High	4 ft.	4SNLED-LD5-64HL-UNV-L8XX-CD1-U	6450	43.0	150
Base	High	4 ft.	4SNLED-LD5-85HL-UNV-L8XX-CD1-U	8388	61.8	136

Base	Standard	8 ft.	8TSNLED-LD5-64SL-UNV-L8XX-CD1-U	6546	44.1	148
Base	Standard	8 ft.	8TSNLED-LD5-72SL-UNV-L8XX-CD1-U	7298	49.7	147
Base	Standard	8 ft.	8TSNLED-LD5-80SL-UNV-L8XX-CD1-U	8008	55.4	145
Base	Standard	8 ft.	8TSNLED-LD5-88SL-UNV-L8XX-CD1-U	8718	61.2	143
Base	Standard	8 ft.	8TSNLED-LD5-96SL-UNV-L8XX-CD1-U	9632	69.2	139
Base	Standard	8 ft.	8TSNLED-LD5-104SL-UNV-L8XX-CD1-U	10514	77.4	136
Base	Standard	8 ft.	8TSNLED-LD5-112SL-UNV-L8XX-CD1-U	11358	85.6	133
Base	High	8 ft.	8TSNLED-LD5-130HL-UNV-L8XX-CD1-U	12900	85.9	150
Base	High	8 ft.	8TSNLED-LD5-170HL-UNV-L8XX-CD2-U	16776	123.6	136

\* Stocked in either 3500K or 4000K. Check Flash for stock availability.

## PHOTOMETRICS

See website for IES/photometric files

## TYPICAL LUMEN MAINTENANCE

Ambient Temperature	TM-21 Lumen Maintenance (60,000 hours)	Theoretical L70 (Hours)
25°C	82%	> 170,000

Max Ambient temp in compliance with UL: 40°C

ORDERING INFORMATION

SAMPLE NUMBER: 4SNLED-LD5-48SL-UNV-L840-U

<p>2=2' Length 4=4' Length 8T=8' Length</p>	<p><b>Voltage</b> UNV=Universal Voltage 120-277 347=347V 480=480V <sup>(3)</sup></p>	<p><b>Driver Type</b> CD=0-10V Dimming Driver (10% - 100% Dimming) HCD=0-10V Dimming Driver (1% - 100% Dimming) <sup>(8)</sup> SD=Step-dim (Bi Level) <sup>(8),(7)</sup> 5LTD=Fiwh Light (DALI) Driver <sup>(3),(6)</sup></p>	<p><b>Packaging</b> U=Unit Pack</p>
<p><b>Series</b> SNLED=Commercial LED Striplight <sup>(12)</sup></p>	<p><b>Options</b> <b>Emergency</b> EL7W=7-watt, 120V-277V emergency battery pack installed <sup>(3),(6)</sup> EL14W=14-watt 120V-277V emergency battery pack installed <sup>(3),(6)</sup> GTR2=Bodine Generator Transfer Relay <sup>(9)</sup> ETR2=lota Emergency Transfer Relay <sup>(9)</sup> ETRD=lota Emergency Transfer Relay with dimming control <sup>(9)</sup></p>	<p><b>Number of Drivers</b> 1=1 Driver 2=2 Drivers</p>	<p><b>ACCESSORIES</b></p>
<p><b>Lamp Type</b> LD5=LED 5.0</p>	<p><b>Wiring</b> PI/CPI=Plug in and cross over plug in options <sup>(11)</sup> PC6/515P=(NEMA 5-15P) 6' Cord with NEMA Straight Plug <sup>(10),(11)</sup> PC6/L715=(NEMA L7-15P) 6' Cord with NEMA Twist Plug <sup>(10),(11)</sup></p>	<p>(Order Separately) AYC=Chain/Set=36" Chain Hanger (Use 1 set per fixture) SCF=Fixed Stem Set (Specify Length) SCS=Swivel Stem Set (Specify Length) SCA=Adjustable 48" Stem Set EYE CHAIN SET/3FT=Eye Bolt Chain (Use 1 set per fixture) WG/SNF-2FT=2' Wire Guard WG/SNF-4FT=4' Wire Guard A1B/Spacer-U=Spacer 1-1/2" to 2-1/2" from ceiling (Use 2 per fixture) TOGGLE=Single Toggle No. 2 (Specify Length) Y-TOGGLE=Y Toggle No. 2 (Specify Length)</p>	
<p><b>Lumen Package</b> <sup>(1)</sup> <b>Stocked Lumen Packages</b> 24SL 28SL 32SL 48SL 80SL 88SL</p> <p><b>MTO Lumen Packages</b> 20SL 36SL 37HL 40SL 44SL 52SL 56SL 56HL 60SL 60HL 64SL 64HL 68SL 72SL 85HL 96SL 104SL 112SL 130HL 170HL <sup>(2)</sup></p>	<p><b>Motion Sensors</b> LB-ERMS360=360° Low Bay Motion Sensor - End of Row LB-MRMS360=360° Low Bay Motion Sensor - Middle of Row HB-ERMS360=360° High Bay Motion Sensor - End of Row <sup>(4)</sup> HB-MRMS360=360° High Bay Motion Sensor - Middle of Row <sup>(4)</sup> <b>CCT</b> L830=3000K L835=3500K L840=4000K L850=5000K</p>		

NOTES: <sup>(1)</sup> Nominal lumen values. See table for values and fixture length. <sup>(2)</sup> Two driver required. <sup>(3)</sup> 4 ft. and 8 ft. only. <sup>(4)</sup> Motion Sensor offers dimmability. <sup>(5)</sup> Available for 41 watts and above. Two drivers required for 85 watts and above. For a complete listing of Fifth Light products, visit [www.eaton.com/lightingsystems](http://www.eaton.com/lightingsystems) <sup>(6)</sup> With integral test switch/indicator/laser test. For approximate delivered lumens multiply the lumens per watt of the desired fixture by the wattage of the emergency battery pack (100 lm/W x 7=700 lumens). IES-format photometry for luminaire under emergency operation available. <sup>(7)</sup> Available for 41 Watts and above. Two drivers required for 69 watts and above. <sup>(8)</sup> Requires two drivers for 61 watts and above. <sup>(9)</sup> Used to bypass local control during outage. Must be used in conjunction with UL 1008 device (provided by others). GTR2 and ETR2 options include 2 relays on fixtures with dimming drivers. ETRD option only requires one relay when used on a dimming fixture. Must specify voltage as 120V or 277V when ordering these devices. <sup>(10)</sup> Most common C&P shown. Must specify location for cord. All "end" locations will be on the end with sensor installed. <sup>(11)</sup> Consult tech support on numerous options for this feature. <sup>(12)</sup> DesignLights Consortium® Qualified and classified for both DLC Standard and DLC Premium, refer to [www.designlights.org](http://www.designlights.org) for details.

Specifications & dimensions subject to change without notice. Consult your Eaton Representative for availability and ordering information.

SHIPPING DATA

Length.	Wt.
2 ft.	3.8 lbs.
4 ft.	7.2 lbs.
8 ft.	13.1 lbs.