

DESCRIPTION

The SSF Series is a functional and multi-purpose standard strip family that incorporates premium performance and construction durability. Designed with our easy-to-use Flip-Up socket design, the SSF significantly reduces installation time. The performance and application versatility of this series can be increased by incorporating symmetrical or asymmetrical reflectors. The SSF Series can be installed using various mounting methods and numerous options and accessories are available.

Catalog #		Type
Project		
Comments		Date
Prepared by		

SPECIFICATION FEATURES

Construction

Channel die formed cold rolled steel with numerous KOs for ease of installation. Groove for Tong Hanger. End plate quickly converts to snap-in channel connector for continuous row alignment. Lamp holder bracket flips in place. Channel/wireway cover secured with quarter-turn fasteners.

Channel/Wireway Cover

Die formed heavy gauge steel. Tight fit for ease of maintenance. Easily removed without use of tools. Optional reflector available

incorporating silver technology enhancements. (Silver Lining) Consult Pre Sales Technical Support.

Electrical*

Ballasts are CBM/ETL Class "P" and are positively secured by mounting bolts. Rotor Lock lampholders. UL/CUL listed. Suitable for damp locations.

Finish

Multistage iron phosphate pretreatment ensures maximum bonding and rust inhibitor. Lighting

upgrade, baked white enamel finish. Prepainted material is standard, PAF optional.

Application

The SSF Series can be the illumination solution in commercial, industrial, retail and residential applications. Fixtures can be used in storage/utility areas, coves, display cases, shops, task and general area lighting.



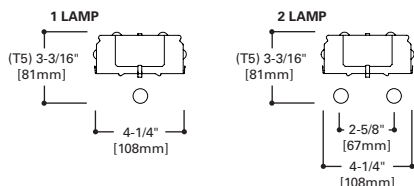
SSF
114T5
124T5
128T5
154T5
214T5
224T5
228T5
254T5
328T5
354T5

2' OR 4' STRIP
1, 2 OR 3 T5 OR T5HO LAMPS

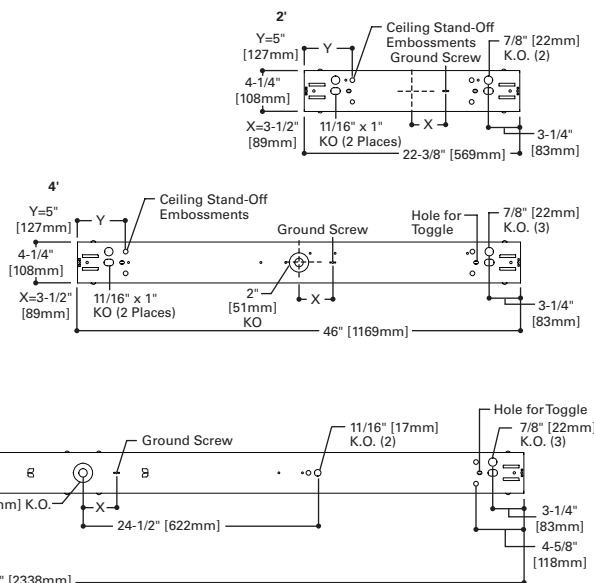
Standard Striplite



LAMP CONFIGURATIONS



MOUNTING DATA



ENERGY DATA

Input Watts:

Electronic Ballast & Standard Lamps

114 (19), 124 (25)
128 (34), 154 (54)
214 (38), 224 (52)
228 (68), 254 (106)
328 (97), 354 (182)

*Reference the lamp/ballast data in the Technical Section for specific lamp/ballast requirements.

LAMPS CONTAIN MERCURY. DISPOSE ACCORDING TO LOCAL, STATE OR FEDERAL LAWS

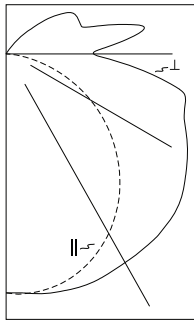
LINEAR DISCONNECT

Safe and convenient means of disconnecting power.



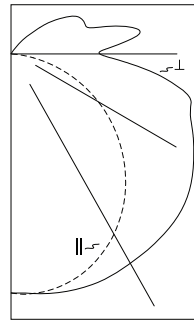
ADF081872
2015-10-05 13:35:54

PHOTOMETRICS



SSF-228T5-UNV-EBT1 Electronic Ballast
F28T5/835 Lamps
2600 Lumens
Spacing criterion: (H) 1.3 x mounting height, (L) 1.5 x mounting height
Efficiency 96.5%
Test Report: 122P106
LER = FS
Yearly Cost of 1000 lumens, 3000 hrs at .08 KWH = \$

Candlepower table for SSF-228T5-UNV-EBT1 with columns for Angle, Along H, 45°, and Across L.



SSF-254T5-UNV-EBT1 Electronic Ballast
F54T5/835 Lamps
4400 Lumens
Spacing criterion: (H) 1.3 x mounting height, (L) 1.5 x mounting height
Efficiency 97.3%
Test Report: 122P108
LER = FS-
Yearly Cost of 1000 lumens, 3000 hrs at .08 KWH = \$

Candlepower table for SSF-254T5-UNV-EBT1 with columns for Angle, Along H, 45°, and Across L.

Coefficients of Utilization

Table of Coefficients of Utilization (CU) for SSF-228T5-UNV-EBT1 based on effective floor cavity reflectance and room cavity ratio (RCR).

Coefficients of Utilization

Table of Coefficients of Utilization (CU) for SSF-254T5-UNV-EBT1 based on effective floor cavity reflectance and room cavity ratio (RCR).

Zonal Lumen Summary

Zonal Lumen Summary table for SSF-228T5-UNV-EBT1 showing Zone, Lumens, %Lamp, and %Fixture.

Typical VCP Percentages

Typical VCP Percentages table for SSF-228T5-UNV-EBT1 based on room size and height.

Zonal Lumen Summary

Zonal Lumen Summary table for SSF-254T5-UNV-EBT1 showing Zone, Lumens, %Lamp, and %Fixture.

Typical VCP Percentages

Typical VCP Percentages table for SSF-254T5-UNV-EBT1 based on room size and height.

ORDERING INFORMATION

SAMPLE NUMBER: SSF-224T5-UNV-EBT1-U

Ordering information diagram for SSF-224T5-UNV-EBT1-U showing options for Tandem, Number of Lamps, Voltage, Series, Wattage, and Options.

Ordering information diagram for SSF-254T5-UNV-EBT1-U showing options for Ballast Type, Ballast Factor/Type, Options, and Packaging.

NOTES: (1)Products also available in non-US voltages... (2)For SilverLining reflector add SS in Catalog Number... (3)Socket brackets left uninstalled... (4)Available in 28T5 and 54T5... (5)Step dimming ballast available for 28T5, 14T5 lamps only.

Specifications & dimensions subject to change without notice. Consult your Eaton Representative for availability and ordering information.

SHIPPING DATA

Shipping Data table listing Catalog No. and Wt. for various SSF models.

DESCRIPTION

The SSF Series is a functional and multi-purpose standard strip family that incorporates premium performance and construction durability. Designed with our easy-to-use Flip-Up socket design, the SSF significantly reduces installation time. The performance and application versatility of this series can be increased by incorporating symmetrical or asymmetrical reflectors. The SSF Series can be installed using various mounting methods and numerous options and accessories are available.

Catalog #		Type
Project		
Comments		Date
Prepared by		

SPECIFICATION FEATURES

Construction

Channel die formed cold rolled steel with numerous KOs for ease of installation. Groove for Tong Hanger. End plate quickly converts to snap-in channel connector for continuous row alignment. Lamp holder bracket flips in place. Channel/wireway cover secured with quarter-turn fasteners.

Channel/Wireway Cover

Die formed heavy gauge steel. Tight fit for ease of maintenance. Easily removed without use of tools. Optional reflector available

incorporating silver technology enhancements. (Silver Lining) Consult Pre Sales Technical Support.

Electrical*

Ballasts are CBM/ETL Class "P" and are positively secured by mounting bolts. Rotor Lock lampholders. UL/CUL listed. Suitable for damp locations.

Finish

Multistage iron phosphate pretreatment ensures maximum bonding and rust inhibitor. Lighting

upgrade, baked white enamel finish. Prepainted material is standard, PAF optional.

Application

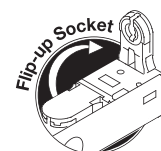
The SSF Series can be the illumination solution in commercial, industrial, retail and residential applications. Fixtures can be used in storage/utility areas, coves, display cases, shops, task and general area lighting.



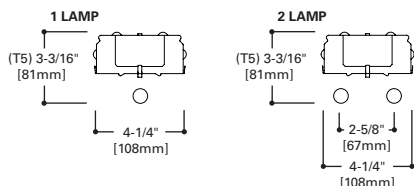
SSF
114T5
124T5
128T5
154T5
214T5
224T5
228T5
254T5
328T5
354T5

2' OR 4' STRIP
1, 2 OR 3 T5 OR T5HO LAMPS

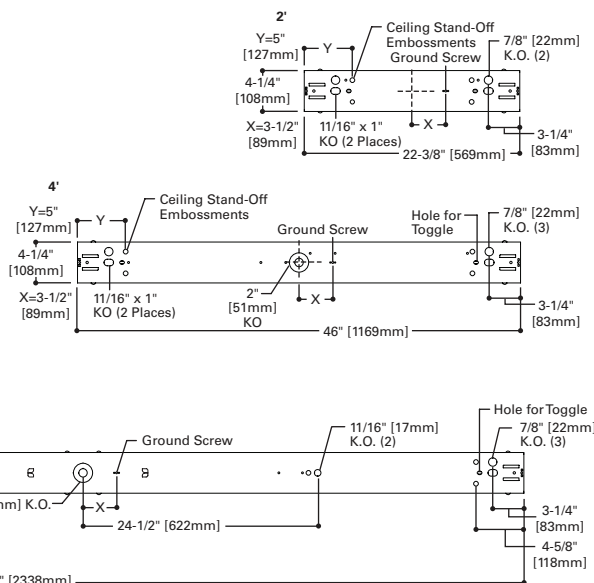
Standard Striplite



LAMP CONFIGURATIONS



MOUNTING DATA



ENERGY DATA

Input Watts:
Electronic Ballast & Standard Lamps
114 (19), 124 (25)
128 (34), 154 (54)
214 (38), 224 (52)
228 (68), 254 (106)
328 (97), 354 (182)

*Reference the lamp/ballast data in the Technical Section for specific lamp/ballast requirements.

LAMPS CONTAIN MERCURY. DISPOSE ACCORDING TO LOCAL, STATE OR FEDERAL LAWS

LINEAR DISCONNECT

Safe and convenient means of disconnecting power.



