

## DESCRIPTION

- Combination Fan-Forced Heater, Ventilator and Ceiling Light provides comfort, convenience and long-lasting dependability.
- Electronically balanced centrifugal blower wheel forces heat evenly throughout the room.
- Automatic reset thermal protection.
- Expansion-type hanger bars for joists up to 24" o.c.; mounting brackets adjust for up to ¾" plaster thickness.
- Detachable junction box features three (3) wiring knockouts.
- One-piece diecast grille with pebble-texture bezel is available in a choice of three finishes: Polished Brass, Chrome or White Enamel. 8" diameter glass lens extends only 3" from ceiling.
- Available as energy efficient fluorescent unit – Model 9093FWH. Uses 26 watt Nema Type CFM26W/GX24D/827 fluorescent lamp. Light output equal to 100 watt incandescent (1,800 lumens). Other units use one (1) standard 100 watt bulb. Purchase bulbs locally.
- All units include night light feature – One (1) 7 watt bulb (not included).
- Connects to standard 4" round duct.
- Wall switch with separate on/off controls for all four functions is included with each unit. Or, may be used with any standard in-line thermostat to control the heat cycle.
- Refer to NuTone's catalog for a complete line of accessories to effectively adapt this unit to your construction requirements.

## DESIGN FEATURES

**Air Delivery:** 70 CFM.  
**Sound Level:** 3.5 Sones  
**Electrical Rating:** 120 volts, 1717 watts  
**Dimensions:** **Housing:** 13¼" diameter x 7½" deep.  
**Grille:** 15⅝" diameter x 3" extension from ceiling.  
**Reflector:** 7" diameter.  
**Lens:** 8" diameter.

**Material & Finish:** **Housing:** Galvanized steel.  
**Grille:** Die-cast zinc with Polished Brass, Chrome or White Enamel finish.  
**Reflector:** Steel with white enamel finish.  
**Lens:** Glass.

**Motor:** **Ventilator:** Thermally protected.

**Heater:** Thermally protected.

**Impeller:** **Ventilator:** (1) Aluminum.

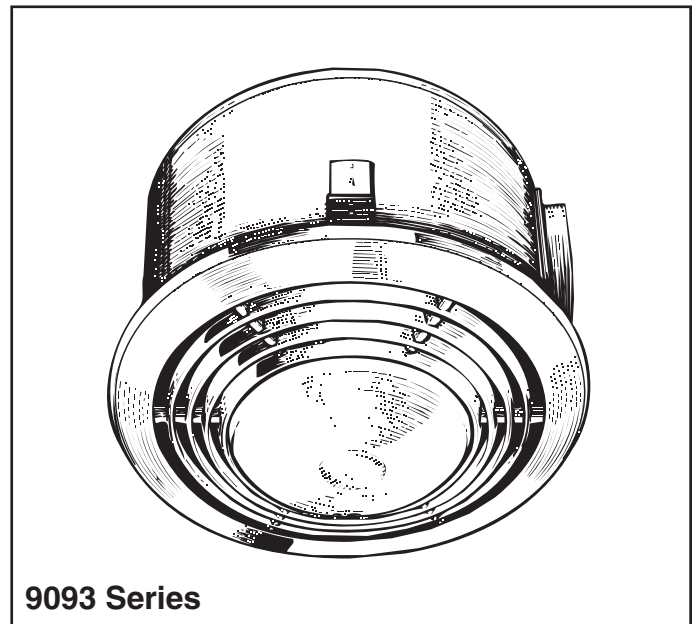
**Heater:** (1) Aluminum.

**Heating Element:** Nickel-chrome, open coil 1500w.

**Duct Size:** 4" round.

# Deluxe Heat-A-Ventlite®

MODEL: 9093 SERIES



## INSTALLATION

- Detailed installation instructions are included with each unit.

## ARCHITECT'S SPECIFICATIONS

Heat-A-Ventlite® shall be Model Number (specify) as manufactured by NuTone according to listed specifications.

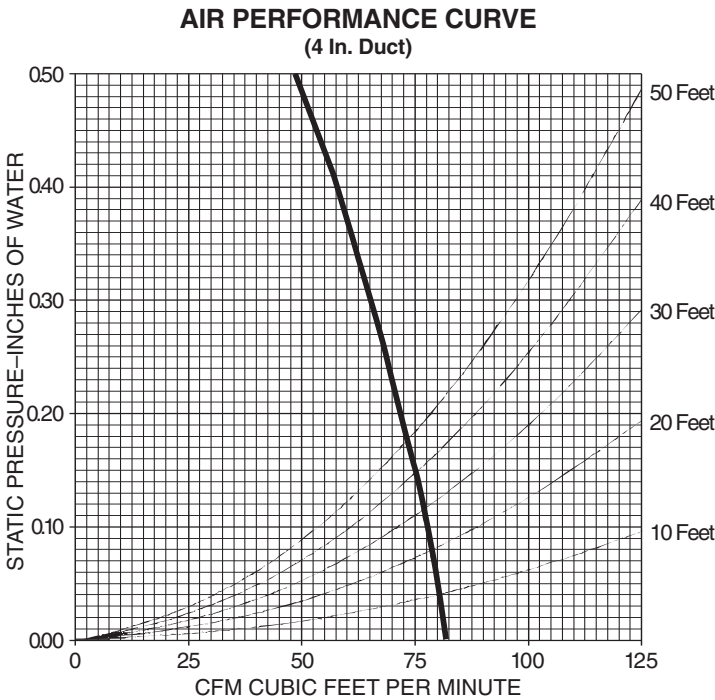
Specify Model Number:

Model Number	Grille Finish
9093FWH	White Enamel
9093BR	Polished Brass
9093CH	Chrome
9093WH	White Enamel

# CERTIFIED TEST DATA



HVI-2100 CERTIFIED RATINGS comply with new testing technologies and procedures prescribed by the Home Ventilating Institute, for off-the-shelf products, as they are available to consumers. Product performance is rated at 0.1 in. static pressure, based on tests conducted in AMCA's state-of-the-art test laboratory. Sones are a measure of humanly-perceived loudness, based on laboratory measurements. This NuTone model is listed by Underwriters' Laboratories Inc.

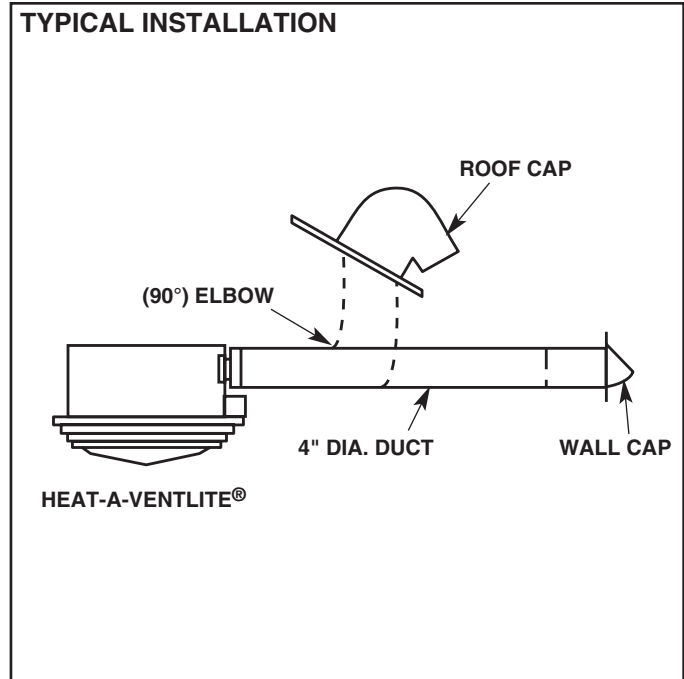


STATIC PRESSURE INCHES OF WATER	0.05	0.1	.125	0.15	0.2	0.25	0.3	0.35	0.4	0.45	0.5	0.60	0.70	1.10
CFM	80	77	76	75	72	68	64	62	57	52	48	42	32	0

### The air delivery of a ventilating system may be determined by:

1. Determine the equivalent duct length for each 90 degree elbow by adding one foot of duct length for each inch of duct diameter, i.e., a 4 inch diameter duct elbow equals 4 feet equivalent duct length and an 8 inch diameter duct elbow equals 8 feet equivalent duct length.
2. Add the total straight length of duct and the equivalent length for each elbow to obtain the total equivalent duct length.
3. Locate the intersection of the fan performance curve and the total equivalent duct length curves and draw a vertical line down to the CFM scale and read the system air performance.

(NOTE: 3¼" x 10" duct equals 6 inch diameter duct.)



Product specifications subject to change without notice.

NuTone, Inc., 4820 Red Bank Road, Cincinnati, Ohio 45227.

## DESCRIPTION

- Combination Fan-Forced Heater, Ventilator and Ceiling Light provides comfort, convenience and long-lasting dependability.
- Electronically balanced centrifugal blower wheel forces heat evenly throughout the room.
- Automatic reset thermal protection.
- Expansion-type hanger bars for joists up to 24" o.c.; mounting brackets adjust for up to ¾" plaster thickness.
- Detachable junction box features three (3) wiring knockouts.
- One-piece diecast grille with pebble-texture bezel is available in a choice of three finishes: Polished Brass, Chrome or White Enamel. 8" diameter glass lens extends only 3" from ceiling.
- Available as energy efficient fluorescent unit – Model 9093FWH. Uses 26 watt Nema Type CFM26W/GX24D/827 fluorescent lamp. Light output equal to 100 watt incandescent (1,800 lumens). Other units use one (1) standard 100 watt bulb. Purchase bulbs locally.
- All units include night light feature – One (1) 7 watt bulb (not included).
- Connects to standard 4" round duct.
- Wall switch with separate on/off controls for all four functions is included with each unit. Or, may be used with any standard in-line thermostat to control the heat cycle.
- Refer to NuTone's catalog for a complete line of accessories to effectively adapt this unit to your construction requirements.

## DESIGN FEATURES

**Air Delivery:** 70 CFM.  
**Sound Level:** 3.5 Sones  
**Electrical Rating:** 120 volts, 1717 watts  
**Dimensions:** **Housing:** 13¼" diameter x 7½" deep.  
**Grille:** 15⅝" diameter x 3" extension from ceiling.  
**Reflector:** 7" diameter.  
**Lens:** 8" diameter.

**Material & Finish:** **Housing:** Galvanized steel.  
**Grille:** Die-cast zinc with Polished Brass, Chrome or White Enamel finish.  
**Reflector:** Steel with white enamel finish.  
**Lens:** Glass.

**Motor:** **Ventilator:** Thermally protected.  
**Heater:** Thermally protected.

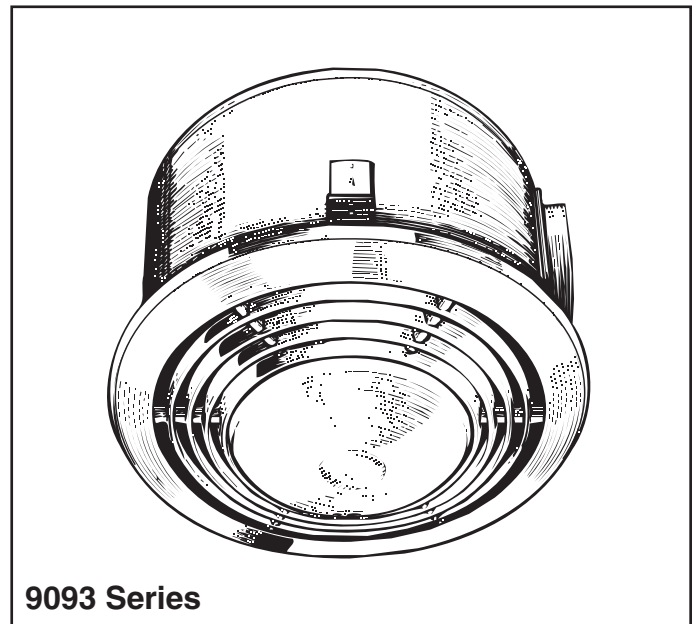
**Impeller:** **Ventilator:** (1) Aluminum.  
**Heater:** (1) Aluminum.

**Heating Element:** Nickel-chrome, open coil 1500w.

**Duct Size:** 4" round.

# Deluxe Heat-A-Ventlite®

**MODEL: 9093 SERIES**



**9093 Series**

## INSTALLATION

- Detailed installation instructions are included with each unit.

## ARCHITECT'S SPECIFICATIONS

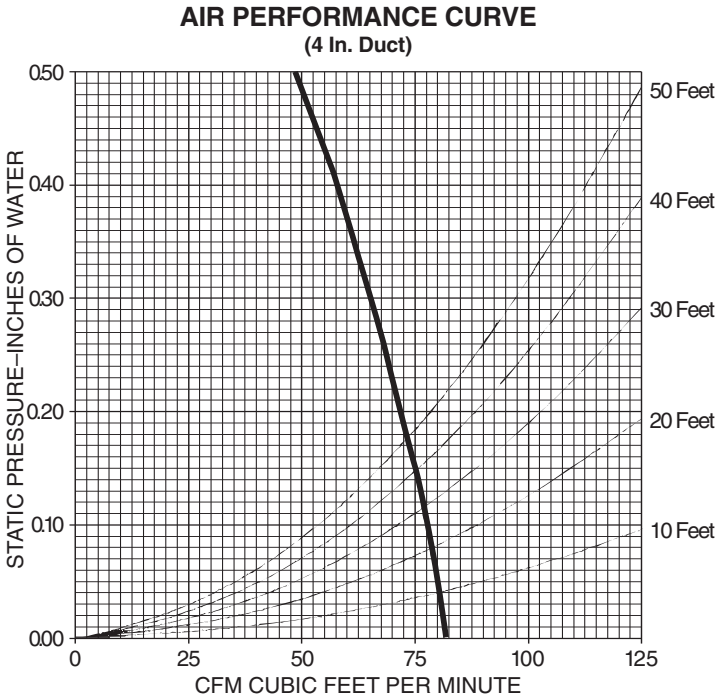
Heat-A-Ventlite® shall be Model Number (specify) as manufactured by NuTone according to listed specifications.  
Specify Model Number:

<u>Model Number</u>	<u>Grille Finish</u>
9093FWH	White Enamel
9093BR	Polished Brass
9093CH	Chrome
9093WH	White Enamel

# CERTIFIED TEST DATA



HVI-2100 CERTIFIED RATINGS comply with new testing technologies and procedures prescribed by the Home Ventilating Institute, for off-the-shelf products, as they are available to consumers. Product performance is rated at 0.1 in. static pressure, based on tests conducted in AMCA's state-of-the-art test laboratory. Sones are a measure of humanly-perceived loudness, based on laboratory measurements. This NuTone model is listed by Underwriters' Laboratories Inc.

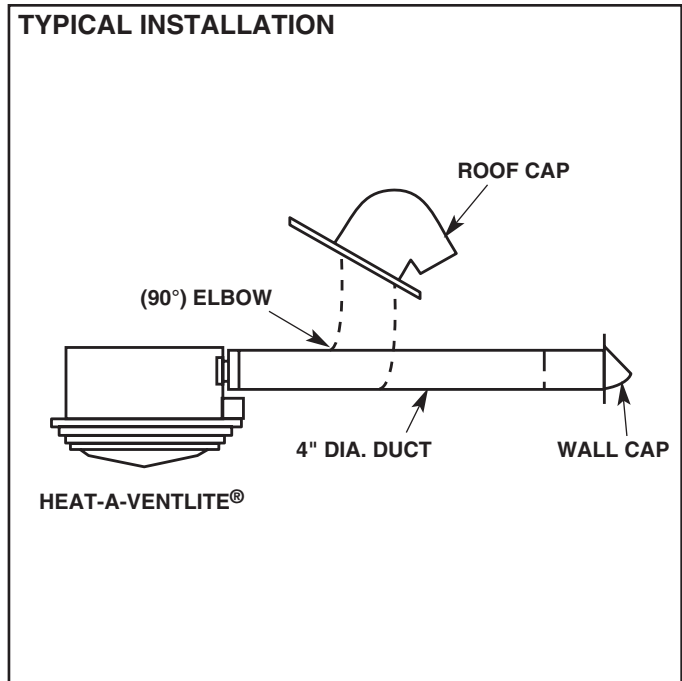


STATIC PRESSURE INCHES OF WATER	0.05	0.1	.125	0.15	0.2	0.25	0.3	0.35	0.4	0.45	0.5	0.60	0.70	1.10
CFM	80	77	76	75	72	68	64	62	57	52	48	42	32	0

### The air delivery of a ventilating system may be determined by:

1. Determine the equivalent duct length for each 90 degree elbow by adding one foot of duct length for each inch of duct diameter, i.e., a 4 inch diameter duct elbow equals 4 feet equivalent duct length and an 8 inch diameter duct elbow equals 8 feet equivalent duct length.
2. Add the total straight length of duct and the equivalent length for each elbow to obtain the total equivalent duct length.
3. Locate the intersection of the fan performance curve and the total equivalent duct length curves and draw a vertical line down to the CFM scale and read the system air performance.

(NOTE: 3¼" x 10" duct equals 6 inch diameter duct.)



Product specifications subject to change without notice.

NuTone, Inc., 4820 Red Bank Road, Cincinnati, Ohio 45227.