



# OmniSeal™ Compression Tools & Connectors

- Factory pre-set to work with IDEAL compression connectors
- Compress F-type, RCA, BNC and Mini Connectors
- Adjustable to fit other manufacturers connectors - no accessory adapters required
- Connectors designed for use in satellite and cable television systems



- RG-59
- RG-6
- RG-6Q
- RG-11
- MINI



IDEAL DataComm



# OmniSeal™ Compression Tools and Connectors

## OmniSeal™ Pro and Pro XL Compression Tools

The new IDEAL OmniSeal™ compression tool now offers additional features and increased connector compatibility in a smaller, more compact tool design to meet the demands of the professional installer. OmniSeal requires no calibration or accessory attachment to terminate most IDEAL branded connectors. Most other manufacturers' compression connectors can be terminated with an easy plunger depth adjustment. The simple intuitive design combined with its size and universal connector acceptance makes this the only compression tool needed by professional installers.



**OmniSeal Pro**  
30-603



**OmniSeal Pro XL**  
30-793

	BNC	F-Type	RG11	RCA	Mini Coax
OmniSeal Pro XL 30-793	✓	✓	✓	✓	✓
OmniSeal Pro 30-603		✓	✓	✓	✓



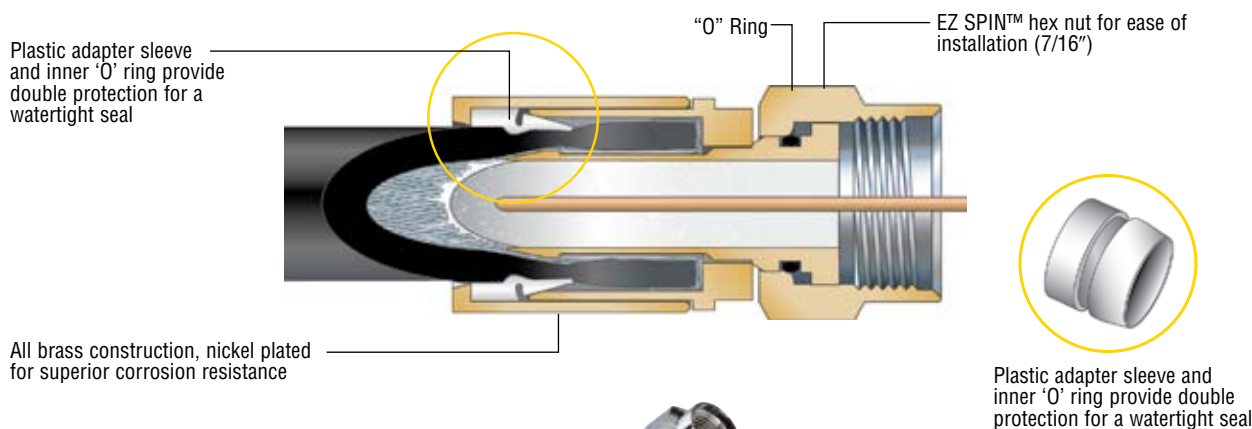
Cat. No.	Description
30-793	OmniSeal Pro XL Compression Tool
30-603	OmniSeal Pro Compression Tool



# RTQ Universal Compression Connectors

IDEAL Compression Connectors are all single piece designs that are manufactured to meet the demands and expectations of the satellite and cable TV industry. All series of connectors are effortlessly positioned onto properly stripped coax and are permanently connected when terminated with an IDEAL OmniSeal Compression Tool. All IDEAL compression F-connectors use a standard 1/4", 1/4" strip. Multiple package quantities and connector features ensure that you will have the right connector for your application.

- Connectors to fit RG-59, RG-6, Plenum RG-6 & RG-11 coaxial cable
- Designated connectors fit regular (dual shield), tri and quad shield cables
- Approved for indoor/outdoor use



Cat. No.	Description	PKG QTY
92-610	<b>RG-59 Reg/Tri/Quad</b> Compression F-Connectors	50/jar
92-619		1000/box

92-654	<b>RG-6 Reg/Tri/Quad</b> Compression F-Connectors	4 pack
92-651		10 pack
92-650		50/jar
92-656		100/jar
92-659		1000/box
92-660	<b>RG-6 Plenum, Dual Shield</b> Compression F-Connectors	50/jar
92-669		1000/box

89-211	<b>RG-11, Dual Shield</b> Compression F-Connectors	10 pack
89-1211		500/box

Operation Specifications	
Bandwidth:	0 MHz - 3 GHz
Impedance:	75 Ohms (nominal)
Return Loss:	Minimum -30 dB @ 3 GHz
Tightening Torque:	30 in-lbs.
Operating Temperature Range:	-40°F to +140°F
Cable Range:	60% through Quad Shield, PE and PVC jackets
Cable Retention:	40 lbs. minimum

Tooling Requirements:	
Data T®-Cutter	45-074
1/4" - 1/4" RG-6, RG-59 & Quad Cable Stripper	45-603, 45-526, 45-262, 45-282, 45-111
Compression Tool	30-603, 30-793
F-Connector Tool	35-046



# DataComm Coax Products

## BNC Compression Connectors

- Single piece design for easy installation
- Nickel plated brass construction
- Color coded by cable series for easy identification
- 3 GHz bandwidth, 75 ohms impedance

Cat. No.	Description	QTY
<b>89-048</b>	BNC RG-6 Compression Connector	15 Pack
<b>89-5048</b>	BNC RG-6 Compression Connector	Jar of 35
<b>89-047</b>	BNC RG-59 Compression Connector	15 Pack
<b>89-5047</b>	BNC RG-59 Compression Connector	Jar of 35



**BNC RG-6**



**BNC RG-59**



## RCA & Mini Compression F-Connectors

- Constructed of nickel plated brass and gold plated head
- 3 GHz bandwidth, 75 ohms impedance
- Identifying bands included
- Mini connectors fit 23 AWG mini cable

Cat. No.	Description	QTY
<b>89-582</b>	RG-6 Compression RCA Connectors	10 Pack (14 bands)
<b>89-580</b>	RG-6 Compression RCA Connectors	Jar of 35 (50 bands)
<b>89-572</b>	RG-59 Compression RCA Connectors	10 Pack (14 bands)
<b>89-570</b>	RG-59 Compression RCA Connectors	Jar of 35 (50 bands)
<b>89-014SM</b>	Mini Compression F-Connector	10 Pack
<b>89-014SMRCA</b>	Mini RCA Compression Connector	10 Pack



**RCA RG-6  
RG-59**



**Mini RCA  
Connector**



**Mini  
F-Connector**



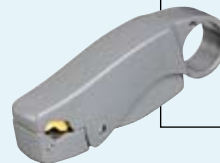
### 45-074 Data T<sup>®</sup>-Cutter

- Cuts round communication cable and maintains cable geometry for better cable performance
- Steel reinforced center conductor can be trimmed with bolt cutting holes
- Cushioned comfort grip handles
- Locking latch keeps tool closed in pouch



### 45-603 Coax/UTP Stripper

- Features two active strip cartridges for all RG59, RG6, RG6 Quad and UTP cables
- Push on ring for easy cable into connector insertion
- Rotates easily around finger
- No blade depth adjustments required



### 45-111 Mini Coax Stripper

- Provides a 1/4" x 1/4" strip for RG11 cable

### 45-529 Mini Coax Stripper

- Adjustable stripper for mini coax cable



### 35-046 Connector Tool

- Works on hex style F and BNC connectors
- Makes attaching and detaching connectors to equipment easier
- Aids in installing CATV connectors
- Comfort grip handle

#### IDEAL INDUSTRIES, INC.

Becker Place, Sycamore, IL 60178, USA / 815-895-5181 • 800-435-0705 in USA

International offices:

Australia • Brazil • Canada • China • Germany • Mexico • UK

For complete sales office contact information, visit us at:

[www.idealindustries.com](http://www.idealindustries.com)



# OmniSeal™ Compression Tools & Connectors

- Factory pre-set to work with IDEAL compression connectors
- Compress F-type, RCA, BNC and Mini Connectors
- Adjustable to fit other manufacturers connectors - no accessory adapters required
- Connectors designed for use in satellite and cable television systems



- RG-59
- RG-6
- RG-6Q
- RG-11
- MINI



IDEAL DataComm



# OmniSeal™ Compression Tools and Connectors

## OmniSeal™ Pro and Pro XL Compression Tools

The new IDEAL OmniSeal™ compression tool now offers additional features and increased connector compatibility in a smaller, more compact tool design to meet the demands of the professional installer. OmniSeal requires no calibration or accessory attachment to terminate most IDEAL branded connectors. Most other manufacturers' compression connectors can be terminated with an easy plunger depth adjustment. The simple intuitive design combined with its size and universal connector acceptance makes this the only compression tool needed by professional installers.



**OmniSeal Pro**  
**30-603**



**OmniSeal Pro XL**  
**30-793**

	BNC	F-Type	RG11	RCA	Mini Coax
OmniSeal Pro XL 30-793	✓	✓	✓	✓	✓
OmniSeal Pro 30-603		✓	✓	✓	✓



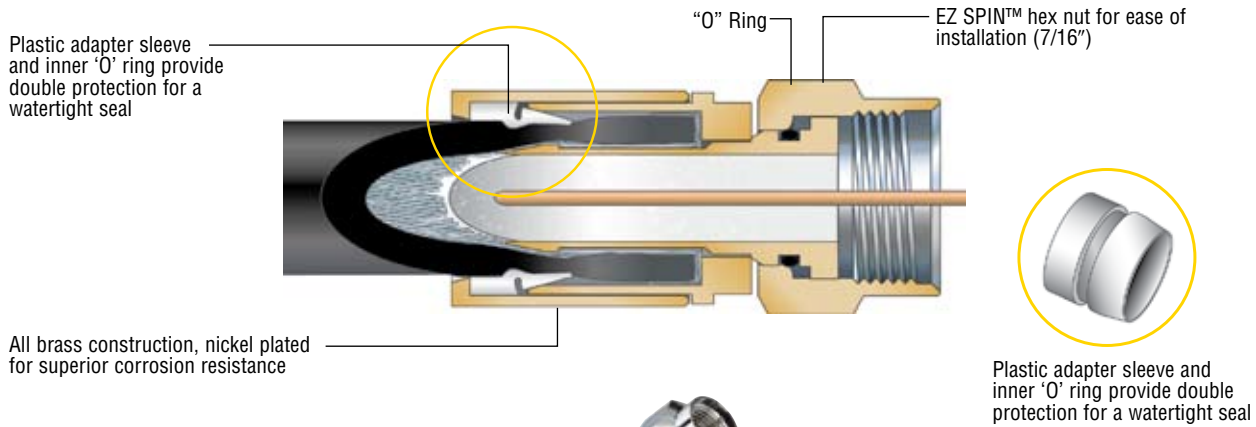
Cat. No.	Description
30-793	OmniSeal Pro XL Compression Tool
30-603	OmniSeal Pro Compression Tool



# RTQ Universal Compression Connectors

IDEAL Compression Connectors are all single piece designs that are manufactured to meet the demands and expectations of the satellite and cable TV industry. All series of connectors are effortlessly positioned onto properly stripped coax and are permanently connected when terminated with an IDEAL OmniSeal Compression Tool. All IDEAL compression F-connectors use a standard 1/4", 1/4" strip. Multiple package quantities and connector features ensure that you will have the right connector for your application.

- Connectors to fit RG-59, RG-6, Plenum RG-6 & RG-11 coaxial cable
- Designated connectors fit regular (dual shield), tri and quad shield cables
- Approved for indoor/outdoor use



Cat. No.	Description	PKG QTY
92-610	<b>RG-59 Reg/Tri/Quad</b> Compression F-Connectors	50/jar
92-619		1000/box

92-654	<b>RG-6 Reg/Tri/Quad</b> Compression F-Connectors	4 pack
92-651		10 pack
92-650		50/jar
92-656		100/jar
92-659		1000/box
92-660	<b>RG-6 Plenum, Dual Shield</b> Compression F-Connectors	50/jar
92-669		1000/box

89-211	<b>RG-11, Dual Shield</b> Compression F-Connectors	10 pack
89-1211		500/box

Operation Specifications	
Bandwidth:	0 MHz - 3 GHz
Impedance:	75 Ohms (nominal)
Return Loss:	Minimum -30 dB @ 3 GHz
Tightening Torque:	30 in-lbs.
Operating Temperature Range:	-40°F to +140°F
Cable Range:	60% through Quad Shield, PE and PVC jackets
Cable Retention:	40 lbs. minimum

Tooling Requirements:	
Data T®-Cutter	45-074
1/4" - 1/4" RG-6, RG-59 & Quad Cable Stripper	45-603, 45-526, 45-262, 45-282, 45-111
Compression Tool	30-603, 30-793
F-Connector Tool	35-046



# DataComm Coax Products

## BNC Compression Connectors

- Single piece design for easy installation
- Nickel plated brass construction
- Color coded by cable series for easy identification
- 3 GHz bandwidth, 75 ohms impedance

Cat. No.	Description	QTY
89-048	BNC RG-6 Compression Connector	15 Pack
89-5048	BNC RG-6 Compression Connector	Jar of 35
89-047	BNC RG-59 Compression Connector	15 Pack
89-5047	BNC RG-59 Compression Connector	Jar of 35



## RCA & Mini Compression F-Connectors

- Constructed of nickel plated brass and gold plated head
- 3 GHz bandwidth, 75 ohms impedance
- Identifying bands included
- Mini connectors fit 23 AWG mini cable

Cat. No.	Description	QTY
89-582	RG-6 Compression RCA Connectors	10 Pack (14 bands)
89-580	RG-6 Compression RCA Connectors	Jar of 35 (50 bands)
89-572	RG-59 Compression RCA Connectors	10 Pack (14 bands)
89-570	RG-59 Compression RCA Connectors	Jar of 35 (50 bands)
89-014SM	Mini Compression F-Connector	10 Pack
89-014SMRCA	Mini RCA Compression Connector	10 Pack



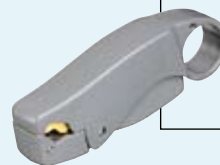
### 45-074 Data T<sup>®</sup>-Cutter

- Cuts round communication cable and maintains cable geometry for better cable performance
- Steel reinforced center conductor can be trimmed with bolt cutting holes
- Cushioned comfort grip handles
- Locking latch keeps tool closed in pouch



### 45-603 Coax/UTP Stripper

- Features two active strip cartridges for all RG59, RG6, RG6 Quad and UTP cables
- Push on ring for easy cable into connector insertion
- Rotates easily around finger
- No blade depth adjustments required



### 45-111 Mini Coax Stripper

- Provides a 1/4" x 1/4" strip for RG11 cable

### 45-529 Mini Coax Stripper

- Adjustable stripper for mini coax cable



### 35-046 Connector Tool

- Works on hex style F and BNC connectors
- Makes attaching and detaching connectors to equipment easier
- Aids in installing CATV connectors
- Comfort grip handle

#### IDEAL INDUSTRIES, INC.

Becker Place, Sycamore, IL 60178, USA / 815-895-5181 • 800-435-0705 in USA

International offices:

Australia • Brazil • Canada • China • Germany • Mexico • UK

For complete sales office contact information, visit us at:

[www.idealindustries.com](http://www.idealindustries.com)