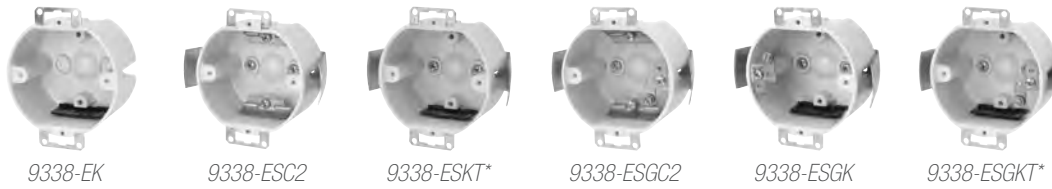


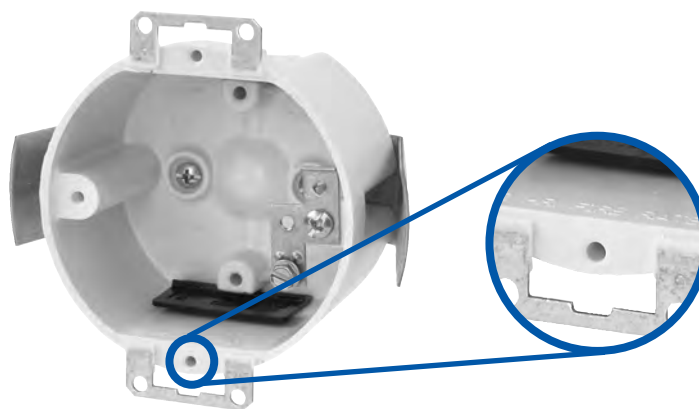
fiberglass BOX™ 3-1/2" Dia. Round Outlet Wall Fixture Support Boxes



NOTE: All 3-1/2" round outlet boxes have a fixture mounting pattern (at a width of 2.75") with machine tapped holes to accept #8-32 mounting hardware.

Ears	Cu. In. Volume	Catalog Number	Component Description	Exterior Dimensions		Fixture Rating	UPC# 85339	Std. Pkg. Qty.	Std. Wt. (lb.)
				D	W				
	14.0	9338-E	Ears, Speed Klamps™ - bulk packed	2	3-1/2	15 lb.	46000	50	14
	14.0	9338-EK	Ears, Speed Klamps™ - factory installed	2	3-1/2	15 lb.	46001	50	15
	14.0	9338-EKT*	Ears, Speed Klamps™ - factory installed, tapped device holes	2	3-1/2	15 lb.	46038	50	15

Ears & Snap Brackets	Cu. In. Volume	Catalog Number	Component Description	Exterior Dimensions		Fixture Rating	UPC# 85339	Std. Pkg. Qty.	Std. Wt. (lb.)
				D	W				
	14.0	9338-ES	Ears, snap bracket, Speed Klamps™ - bulk packed	2	3-1/2	15 lb.	46005	50	20
	14.0	9338-ESC2	Ears, snap bracket, 2 wire clamps - factory installed	2	3-1/2	15 lb.	46015	50	22
	14.0	9338-ESC2T*	Ears, snap bracket, 2 wire clamps - factory installed, tapped device holes	2	3-1/2	15 lb.	46041	50	22
	14.0	9338-ESK	Ears, snap bracket, Speed Klamps™ - factory installed	2	3-1/2	15 lb.	46006	50	21
	14.0	9338-ESKT*	Ears, snap bracket, Speed Klamps™ - factory installed, tapped device holes	2	3-1/2	15 lb.	46040	50	21
	14.0	9338-EST*	Ears, snap bracket, Speed Klamps™ - bulk packed, tapped device holes	2	3-1/2	15 lb.	46039	50	20
	14.0	9338-ESG	Ears, snap bracket, ground strap, Speed Klamps™ - bulk packed	2	3-1/2	15 lb.	46020	50	21
	14.0	9338-ESGC2	Ears, snap bracket, ground strap, 2 wire clamps - factory installed	2	3-1/2	15 lb.	46030	50	23
	14.0	9338-ESGK	Ears, snap bracket, ground strap, Speed Klamps™ - factory installed	2	3-1/2	15 lb.	46021	50	21
	14.0	9338-ESGKT*	Ears, snap bracket, ground strap, Speed Klamps™ - factory installed, tapped device holes	2	3-1/2	15 lb.	46043	50	21



*Strip-resistant, tapered and machine tapped device holes allow device screw to be started by hand and speed installation time with adjustable torque screwdrivers.

All dimensions are in inches unless otherwise noted.
See page 7 for Attachment Coding suffix descriptions.

Old Work/Manufactured Housing Boxes

Outlet Box
UL File No. E30594

Competitive Cross Reference

Fiberglass Outlet Boxes

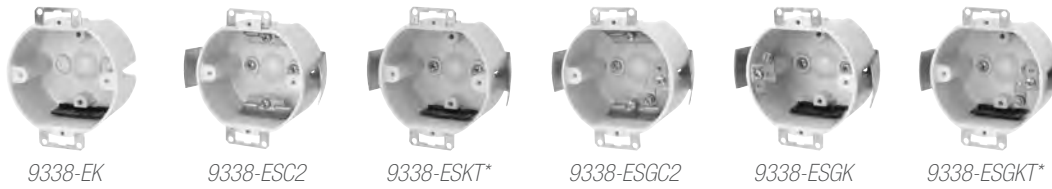


ALLIED
MOULDED
PRODUCTS, Inc.

fiberglassBOX™: Premium Series “Hard Box” Fiberglass Boxes continued

Allied Moulded	Carlton® PH (Union Phenolic)	Carlton® PC Black Polycarbonate	Carlton® PVC (Zip Blue)	Carlton® PVC (SuperBlue®)	Cantex® (EZ BOX®)	Pass & Seymour (Slater®)
9312-E	N/A	N/A	N/A	N/A	N/A	N/A
9312-EK	N/A	N/A	N/A	N/A	N/A	N/A
9312-EW	6062-402	4R-B	B225R	N/A	EZ25D0	N/A
9312-EWK	6062-402	4R-B	B225R	N/A	EZ25D0	N/A
9313-EW	6063-402	N/A	B355R	N/A	N/A	S3-52-W
9313-EWK	6063-402	N/A	B355R	N/A	N/A	S3-52-W
9314-EWK	N/A	N/A	B468R	N/A	N/A	N/A
9315	4062/WHITE	4R-B	E460R	N/A	EZYKL	N/A
9315-WH	4062/WHITE	4R-B	E460R	N/A	EZYKL	N/A
9318	N/A	N/A	B112HB	N/A	N/A	N/A
9319	N/A	N/A	HB15W	N/A	N/A	N/A
9320	N/A	N/A	HB1DP	N/A	N/A	N/A
9322	N/A	N/A	HB1BL	N/A	N/A	N/A
9324-N	2070/N1614	N/A	N1614	N/A	N/A	N/A
9327-N	6090/7010/E1614	N/A	N/A	N/A	N/A	N/A
9329-EW	7010-8	232-OW	B225R	BH234R	N/A	S2-32-W
9329-EWK	7010-8	232-OW	B225R	BH234R	N/A	S2-32-W
9331-E	6090/7010	N/A	E1614	N/A	N/A	N/A
9331-EK	6090/7010	N/A	E1614	N/A	N/A	N/A
9331-ES	7010-8	N/A	N/A	N/A	N/A	N/A
9331-ESK	7010-8	N/A	N/A	N/A	N/A	N/A
9331-EW	6090-402	114-OW	B114R	N/A	EZ14S0	N/A
9331-EWK	6090-402	114-OW	B114R	N/A	EZ14S0	N/A
9335-16/16K	3190-C-94	N-321-C-94	N/A	N/A	N/A	N/A
9335-16G/16GK	N/A	N-321-GC-94	N/A	N/A	N/A	N/A
9335-BH/BHK	3190-C-94	N-321-C-95	N/A	N/A	N/A	S118HAC
9335-BHG/BHGK	N/A	N-321-GC-95	N/A	N/A	N/A	S118HGAC
9335-HNGK	N/A	N/A	N/A	N/A	N/A	N/A
9335-HNK	N/A	N/A	N/A	N/A	N/A	N/A
9335-N	3190/3190C	N/A	B518A/N-321-C	N/A	EZ18CN	C118RAC
9335-NG	3190-40-PC	N/A	B518P	N/A	EZ18CNG	C118RGAC
9335-NGK	3190-40-PC	N/A	B518P	N/A	EZ18CNG	C118RGAC
9335-NK	3190/3190C	N/A	B518A/N-321-C	N/A	EZ18CN	C118RAC
9335-NKRED	N/A	3R-16-N-RED	N/A	N/A	EZ18CNAR	N/A
9336-16/16K	3090-94/3090-94-SQ	N/A	N/A	N/A	N/A	N/A
9336-16G/16GK	3090-94-40	N/A	N/A	N/A	N/A	N/A
9336-BH/BHK	3090-95/3090-95-SQ	3R-16-BH	N/A	N/A	N/A	N/A
9336-BHG/BHGK	3090-95-40	3R-16-BHGP	N/A	N/A	N/A	N/A
9336-HNGK	3090-N-40	N/A	N/A	N/A	N/A	N/A
9336-HNK	3090-N	N/A	N/A	N/A	N/A	N/A
9336-N	3190	3R16N	N/A	N/A	N/A	N/A
9336-NG	3190-PC	3R16NGP	N/A	N/A	N/A	N/A
9336-NGK	3190-PC	3R16NGP	N/A	N/A	N/A	N/A
9336-NK	3190	3R16N	N/A	N/A	N/A	N/A
9338-E	3080	N/A	N/A	N/A	N/A	N/A
9338-EK	3080	N/A	N/A	N/A	N/A	N/A
9338-EKT	3080	N/A	N/A	N/A	N/A	N/A
9338-ES	3080-9/3080-9-PC	3R160W	N/A	BH614R	N/A	N/A
9338-ESG	3080-9-40	3R160WGP	B432A	BH614RP	N/A	N/A
9338-ESGK	3080-9-40	3R160WGP	B432A	BH614RP	N/A	C118WGAC

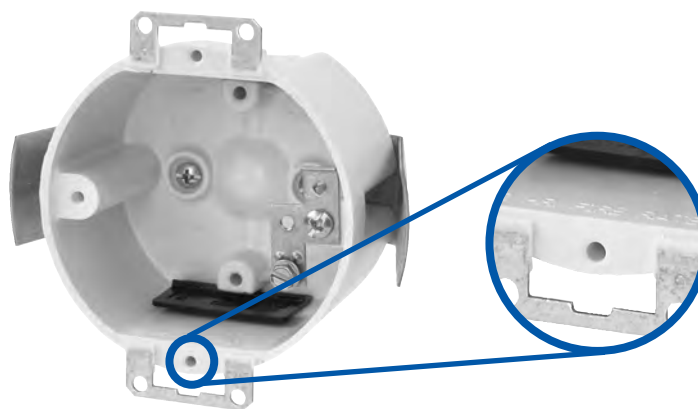
fiberglass BOX™ 3-1/2" Dia. Round Outlet Wall Fixture Support Boxes



NOTE: All 3-1/2" round outlet boxes have a fixture mounting pattern (at a width of 2.75") with machine tapped holes to accept #8-32 mounting hardware.

Ears	Cu. In. Volume	Catalog Number	Component Description	Exterior Dimensions		Fixture Rating	UPC# 85339	Std. Pkg. Qty.	Std. Wt. (lb.)
				D	W				
	14.0	9338-E	Ears, Speed Klamps™ - bulk packed	2	3-1/2	15 lb.	46000	50	14
	14.0	9338-EK	Ears, Speed Klamps™ - factory installed	2	3-1/2	15 lb.	46001	50	15
	14.0	9338-EKT*	Ears, Speed Klamps™ - factory installed, tapped device holes	2	3-1/2	15 lb.	46038	50	15

Ears & Snap Brackets	Cu. In. Volume	Catalog Number	Component Description	Exterior Dimensions		Fixture Rating	UPC# 85339	Std. Pkg. Qty.	Std. Wt. (lb.)
				D	W				
	14.0	9338-ES	Ears, snap bracket, Speed Klamps™ - bulk packed	2	3-1/2	15 lb.	46005	50	20
	14.0	9338-ESC2	Ears, snap bracket, 2 wire clamps - factory installed	2	3-1/2	15 lb.	46015	50	22
	14.0	9338-ESC2T*	Ears, snap bracket, 2 wire clamps - factory installed, tapped device holes	2	3-1/2	15 lb.	46041	50	22
	14.0	9338-ESK	Ears, snap bracket, Speed Klamps™ - factory installed	2	3-1/2	15 lb.	46006	50	21
	14.0	9338-ESKT*	Ears, snap bracket, Speed Klamps™ - factory installed, tapped device holes	2	3-1/2	15 lb.	46040	50	21
	14.0	9338-EST*	Ears, snap bracket, Speed Klamps™ - bulk packed, tapped device holes	2	3-1/2	15 lb.	46039	50	20
	14.0	9338-ESG	Ears, snap bracket, ground strap, Speed Klamps™ - bulk packed	2	3-1/2	15 lb.	46020	50	21
	14.0	9338-ESGC2	Ears, snap bracket, ground strap, 2 wire clamps - factory installed	2	3-1/2	15 lb.	46030	50	23
	14.0	9338-ESGK	Ears, snap bracket, ground strap, Speed Klamps™ - factory installed	2	3-1/2	15 lb.	46021	50	21
	14.0	9338-ESGKT*	Ears, snap bracket, ground strap, Speed Klamps™ - factory installed, tapped device holes	2	3-1/2	15 lb.	46043	50	21



*Strip-resistant, tapered and machine tapped device holes allow device screw to be started by hand and speed installation time with adjustable torque screwdrivers.

All dimensions are in inches unless otherwise noted.
See page 7 for Attachment Coding suffix descriptions.

Old Work/Manufactured Housing Boxes

Outlet Box
UL File No. E30594

Competitive Cross Reference

Fiberglass Outlet Boxes



ALLIED
MOULDED
PRODUCTS, Inc.

fiberglassBOX™: Premium Series “Hard Box” Fiberglass Boxes continued

Allied Moulded	Carlton® PH (Union Phenolic)	Carlton® PC Black Polycarbonate	Carlton® PVC (Zip Blue)	Carlton® PVC (SuperBlue®)	Cantex® (EZ BOX®)	Pass & Seymour (Slater®)
9312-E	N/A	N/A	N/A	N/A	N/A	N/A
9312-EK	N/A	N/A	N/A	N/A	N/A	N/A
9312-EW	6062-402	4R-B	B225R	N/A	EZ25D0	N/A
9312-EWK	6062-402	4R-B	B225R	N/A	EZ25D0	N/A
9313-EW	6063-402	N/A	B355R	N/A	N/A	S3-52-W
9313-EWK	6063-402	N/A	B355R	N/A	N/A	S3-52-W
9314-EWK	N/A	N/A	B468R	N/A	N/A	N/A
9315	4062/WHITE	4R-B	E460R	N/A	EZYKL	N/A
9315-WH	4062/WHITE	4R-B	E460R	N/A	EZYKL	N/A
9318	N/A	N/A	B112HB	N/A	N/A	N/A
9319	N/A	N/A	HB15W	N/A	N/A	N/A
9320	N/A	N/A	HB1DP	N/A	N/A	N/A
9322	N/A	N/A	HB1BL	N/A	N/A	N/A
9324-N	2070/N1614	N/A	N1614	N/A	N/A	N/A
9327-N	6090/7010/E1614	N/A	N/A	N/A	N/A	N/A
9329-EW	7010-8	232-OW	B225R	BH234R	N/A	S2-32-W
9329-EWK	7010-8	232-OW	B225R	BH234R	N/A	S2-32-W
9331-E	6090/7010	N/A	E1614	N/A	N/A	N/A
9331-EK	6090/7010	N/A	E1614	N/A	N/A	N/A
9331-ES	7010-8	N/A	N/A	N/A	N/A	N/A
9331-ESK	7010-8	N/A	N/A	N/A	N/A	N/A
9331-EW	6090-402	114-OW	B114R	N/A	EZ14S0	N/A
9331-EWK	6090-402	114-OW	B114R	N/A	EZ14S0	N/A
9335-16/16K	3190-C-94	N-321-C-94	N/A	N/A	N/A	N/A
9335-16G/16GK	N/A	N-321-GC-94	N/A	N/A	N/A	N/A
9335-BH/BHK	3190-C-94	N-321-C-95	N/A	N/A	N/A	S118HAC
9335-BHG/BHGK	N/A	N-321-GC-95	N/A	N/A	N/A	S118HGAC
9335-HNGK	N/A	N/A	N/A	N/A	N/A	N/A
9335-HNK	N/A	N/A	N/A	N/A	N/A	N/A
9335-N	3190/3190C	N/A	B518A/N-321-C	N/A	EZ18CN	C118RAC
9335-NG	3190-40-PC	N/A	B518P	N/A	EZ18CNG	C118RGAC
9335-NGK	3190-40-PC	N/A	B518P	N/A	EZ18CNG	C118RGAC
9335-NK	3190/3190C	N/A	B518A/N-321-C	N/A	EZ18CN	C118RAC
9335-NKRED	N/A	3R-16-N-RED	N/A	N/A	EZ18CNAR	N/A
9336-16/16K	3090-94/3090-94-SQ	N/A	N/A	N/A	N/A	N/A
9336-16G/16GK	3090-94-40	N/A	N/A	N/A	N/A	N/A
9336-BH/BHK	3090-95/3090-95-SQ	3R-16-BH	N/A	N/A	N/A	N/A
9336-BHG/BHGK	3090-95-40	3R-16-BHGP	N/A	N/A	N/A	N/A
9336-HNGK	3090-N-40	N/A	N/A	N/A	N/A	N/A
9336-HNK	3090-N	N/A	N/A	N/A	N/A	N/A
9336-N	3190	3R16N	N/A	N/A	N/A	N/A
9336-NG	3190-PC	3R16NGP	N/A	N/A	N/A	N/A
9336-NGK	3190-PC	3R16NGP	N/A	N/A	N/A	N/A
9336-NK	3190	3R16N	N/A	N/A	N/A	N/A
9338-E	3080	N/A	N/A	N/A	N/A	N/A
9338-EK	3080	N/A	N/A	N/A	N/A	N/A
9338-EKT	3080	N/A	N/A	N/A	N/A	N/A
9338-ES	3080-9/3080-9-PC	3R160W	N/A	BH614R	N/A	N/A
9338-ESG	3080-9-40	3R160WGP	B432A	BH614RP	N/A	N/A
9338-ESGK	3080-9-40	3R160WGP	B432A	BH614RP	N/A	C118WGAC