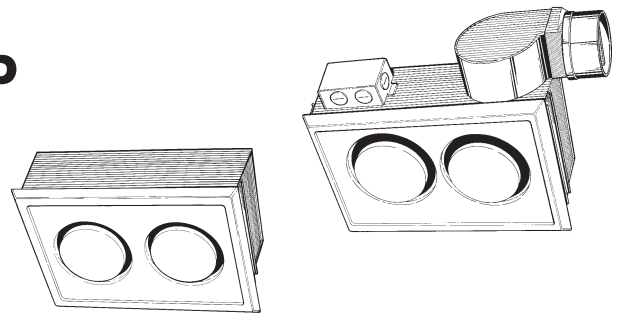


### MODELS 9422P & 9427P INFRARED BULB HEATERS



Quick and efficient, these twin-bulb heaters provide the selective temperature control you need.

#### FEATURES

- White-white polymeric grille
- Sturdy steel housing
- Adjustable mounting brackets that span up to 24"
- Housing can be adjusted vertically after ceiling is finished
- Uses (2) 250W BR40-size infrared bulbs (not included)
- Bulbs may be operated separately or in combination using the following controls:
  - Model 59W/V, 60-Minute Time Control
  - Model 61W/V, 15-Minute Time Control
  - Model 62W/V, 60-Minute Time Control with 2 Toggle Switches (Model 9427P only)
  - Model 63W/V, 60-Minute Time Control w/Toggle Switch
  - Model 66W/V, Heat/Fan/Light Control (Model 9427P only)
  - Model 68W/V, Two-Function Control
- Suitable for use in insulated ceilings (Type I.C.)

#### MODEL 9427P BULB HEATER/FAN ONLY:

- Plug-in, permanently lubricated motor
- Quiet, polymeric blower wheel
- Polymeric damper/duct connector with 1-5/8" long tapered sleeve and no metallic clatter
- Unit may function with bulbs and fan controlled together, bulbs and fan controlled separately, or EACH bulb and fan controlled separately

#### SPECIFICATIONS

MODEL	VOLTS	AMPS	WATTS*	SONES	CFM	DUCT
9422P	120	4.3	505**	----	----	----
9427P	120	4.5	545**	3.5	70	4" Round

\* Total Connected Load

\*\* BR40-size Infrared Bulbs. Use house wiring rated 60°C min.

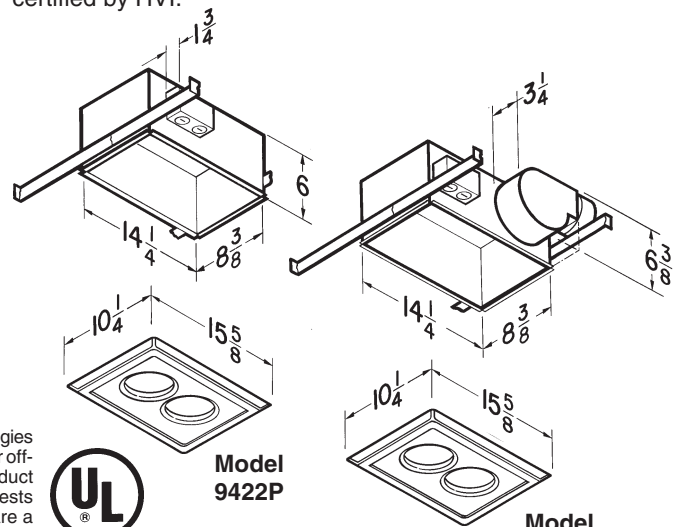


HVI-2100 CERTIFIED RATINGS comply with new testing technologies and procedures prescribed by the Home Ventilating Institute, for off-the-shelf products, as they are available to consumers. Product performance is rated at 0.1 in. static pressure, based on tests conducted in AMCA's state-of-the-art test laboratory. Sones are a measure of humanly-perceived loudness, based on laboratory measurements.



Model 9422P

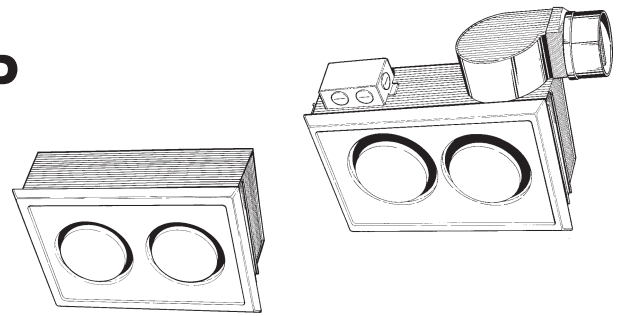
Model 9427P



NuTone, Inc., 4820 Red Bank Road, Cincinnati, OH 45227 (1-800-543-8687)  
Product specifications subject to change without notice

REFERENCE	QTY.	REMARKS	Project
			Location
			Architect
			Engineer
			Contractor
			Submitted by <span style="float: right;">Date</span>

### MODELS 9422P & 9427P INFRARED BULB HEATERS



Quick and efficient, these twin-bulb heaters provide the selective temperature control you need.

#### FEATURES

- White-white polymeric grille
- Sturdy steel housing
- Adjustable mounting brackets that span up to 24"
- Housing can be adjusted vertically after ceiling is finished
- Uses (2) 250W BR40-size infrared bulbs (not included)
- Bulbs may be operated separately or in combination using the following controls:
  - Model 59W/V, 60-Minute Time Control
  - Model 61W/V, 15-Minute Time Control
  - Model 62W/V, 60-Minute Time Control with 2 Toggle Switches (Model 9427P only)
  - Model 63W/V, 60-Minute Time Control w/Toggle Switch
  - Model 66W/V, Heat/Fan/Light Control (Model 9427P only)
  - Model 68W/V, Two-Function Control
- Suitable for use in insulated ceilings (Type I.C.)

#### MODEL 9427P BULB HEATER/FAN ONLY:

- Plug-in, permanently lubricated motor
- Quiet, polymeric blower wheel
- Polymeric damper/duct connector with 1-5/8" long tapered sleeve and no metallic clatter
- Unit may function with bulbs and fan controlled together, bulbs and fan controlled separately, or EACH bulb and fan controlled separately

#### SPECIFICATIONS

MODEL	VOLTS	AMPS	WATTS*	SONES	CFM	DUCT
9422P	120	4.3	505**	----	----	----
9427P	120	4.5	545**	3.5	70	4" Round

\* Total Connected Load

\*\* BR40-size Infrared Bulbs. Use house wiring rated 60°C min.

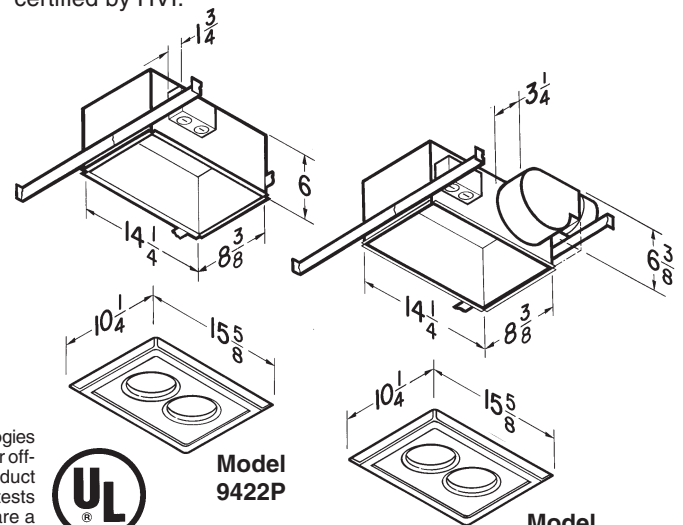


HVI-2100 CERTIFIED RATINGS comply with new testing technologies and procedures prescribed by the Home Ventilating Institute, for off-the-shelf products, as they are available to consumers. Product performance is rated at 0.1 in. static pressure, based on tests conducted in AMCA's state-of-the-art test laboratory. Sones are a measure of humanly-perceived loudness, based on laboratory measurements.



Model 9422P

Model 9427P



NuTone, Inc., 4820 Red Bank Road, Cincinnati, OH 45227 (1-800-543-8687)  
Product specifications subject to change without notice

REFERENCE	QTY.	REMARKS	Project
			Location
			Architect
			Engineer
			Contractor
			Submitted by <span style="float: right;">Date</span>