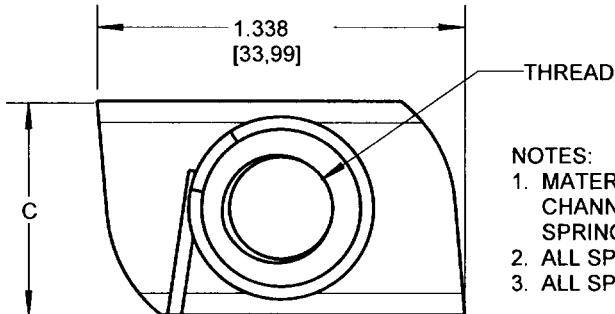
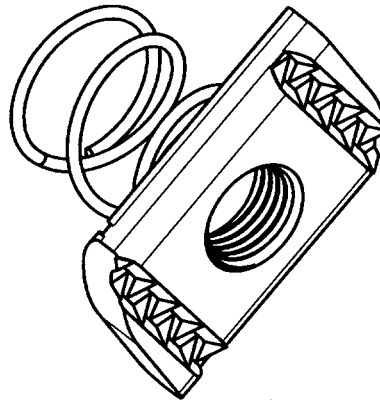
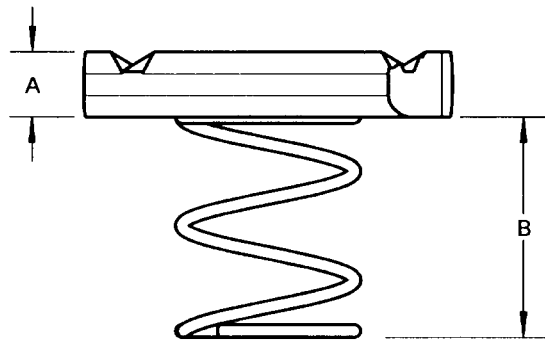



# Superstrut



**NOTES:**

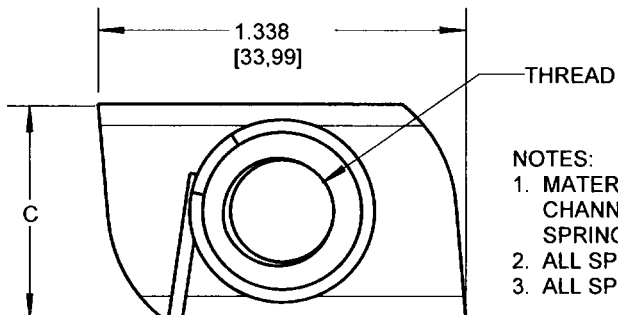
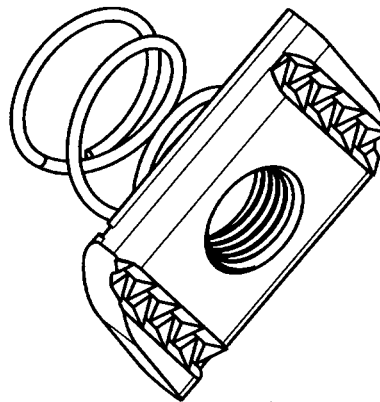
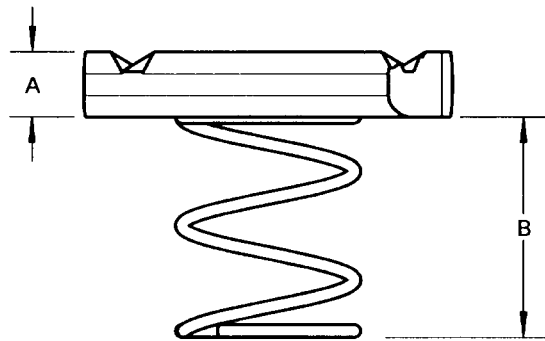
1. MATERIAL:  
CHANNEL NUT: CARBON STEEL  
SPRING: HARD DRAWN STEEL WIRE
2. ALL SPRINGS SHALL MECHANICALLY ATTACHED TO CHANNEL NUT
3. ALL SPRING NUTS SHALL BE ZINC PLATED

H100 1/2	1/2" UNIVERSAL SPRING NUT	.358 (9.1)	2.756 (70.0)	.785 (19.9)	1/2"-13 UNC	ELECTRO-GALV
H100 3/8	3/8" UNIVERSAL SPRING NUT	.358 (9.1)	2.756 (70.0)	.785 (19.9)	3/8"-16 UNC	ELECTRO-GALV
A100 7/8	7/8" UNIVERSAL SPRING NUT	.358 (9.1)	1.535 (39.0)	1.120 (28.5)	7/8"-9 UNC	ELECTRO-GALV
A100 3/4	3/4" UNIVERSAL SPRING NUT	.358 (9.1)	1.535 (39.0)	1.120 (28.5)	3/4"-10 UNC	ELECTRO-GALV
A100 5/8	5/8" UNIVERSAL SPRING NUT	.358 (9.1)	1.535 (39.0)	1.120 (28.5)	5/8"-11 UNC	ELECTRO-GALV
B100 5/16	5/16" UNIVERSAL SPRING NUT	.358 (9.1)	.394 (10.0)	.785 (19.9)	5/16"-16 UNC	ELECTRO-GALV
A100 5/16	5/16" UNIVERSAL SPRING NUT	.358 (9.1)	1.535 (39.0)	.785 (19.9)	5/16"-16 UNC	ELECTRO-GALV
B100 1/2	1/2" UNIVERSAL SPRING NUT	.358 (9.1)	.394 (10.0)	.785 (19.9)	1/2"-13 UNC	ELECTRO-GALV
A100 1/2	1/2" UNIVERSAL SPRING NUT	.358 (9.1)	1.535 (39.0)	.785 (19.9)	1/2"-13 UNC	ELECTRO-GALV
B100 3/8	3/8" UNIVERSAL SPRING NUT	.358 (9.1)	.394 (10.0)	.785 (19.9)	3/8"-16 UNC	ELECTRO-GALV
A100 3/8	3/8" UNIVERSAL SPRING NUT	.358 (9.1)	1.535 (39.0)	.785 (19.9)	3/8"-16 UNC	ELECTRO-GALV
B100 1/4	1/4" UNIVERSAL SPRING NUT	.238 (6.1)	.787 (20.0)	.785 (19.9)	1/4"-20 UNC	ELECTRO-GALV
A100 1/4	1/4" UNIVERSAL SPRING NUT	.238 (6.1)	1.535 (39.0)	.785 (19.9)	1/4"-20 UNC	ELECTRO-GALV
CAT #	DESCRIPTION	DIM "A"	DIM "B"	DIM "C"	THREAD	FINISH

<b>GENERAL NOTES</b>		 A Member of the ABB Group				
1. ALL DIMENSIONS ARE FOR REFERENCE ONLY. 2. DIMENSIONS IN BRACKETS [ ] ARE IN METRIC UNITS.						
<b>REVISIONS</b>		<b>UNIVERSAL SPRING NUT</b>				
- SEE ERN (2015003) FOR APPROVAL SIGNATURES & RELEASE DATE. PROJECT NO:004V000518						
		www.tnb.com <b>DESCRIPTION:</b>	<b>ORIGINAL PROJECT NO / ( ERN NO )</b> 005D00094 / (2013203)	<b>SHEET NO:</b> 1 OF 1	<b>REV. NO:</b> 1	<b>DRAWING NO:</b> WSD-001057

THIS DRAWING IS INTENDED FOR DESCRIPTIVE PURPOSES ONLY, AND THE RIGHT IS RESERVED TO DEVIATE FROM ANY OF THE DETAILS SHOWN HEREON. COPYRIGHT THOMAS & BETTS CORPORATION. ALL RIGHTS RESERVED. PROPRIETARY AND CONFIDENTIAL.

# Superstrut



**NOTES:**

1. MATERIAL:  
CHANNEL NUT: CARBON STEEL  
SPRING: HARD DRAWN STEEL WIRE
2. ALL SPRINGS SHALL MECHANICALLY ATTACHED TO CHANNEL NUT
3. ALL SPRING NUTS SHALL BE ZINC PLATED

H100 1/2	1/2" UNIVERSAL SPRING NUT	.358 (9.1)	2.756 (70.0)	.785 (19.9)	1/2"-13 UNC	ELECTRO-GALV
H100 3/8	3/8" UNIVERSAL SPRING NUT	.358 (9.1)	2.756 (70.0)	.785 (19.9)	3/8"-16 UNC	ELECTRO-GALV
A100 7/8	7/8" UNIVERSAL SPRING NUT	.358 (9.1)	1.535 (39.0)	1.120 (28.5)	7/8"-9 UNC	ELECTRO-GALV
A100 3/4	3/4" UNIVERSAL SPRING NUT	.358 (9.1)	1.535 (39.0)	1.120 (28.5)	3/4"-10 UNC	ELECTRO-GALV
A100 5/8	5/8" UNIVERSAL SPRING NUT	.358 (9.1)	1.535 (39.0)	1.120 (28.5)	5/8"-11 UNC	ELECTRO-GALV
B100 5/16	5/16" UNIVERSAL SPRING NUT	.358 (9.1)	.394 (10.0)	.785 (19.9)	5/16"-16 UNC	ELECTRO-GALV
A100 5/16	5/16" UNIVERSAL SPRING NUT	.358 (9.1)	1.535 (39.0)	.785 (19.9)	5/16"-16 UNC	ELECTRO-GALV
B100 1/2	1/2" UNIVERSAL SPRING NUT	.358 (9.1)	.394 (10.0)	.785 (19.9)	1/2"-13 UNC	ELECTRO-GALV
A100 1/2	1/2" UNIVERSAL SPRING NUT	.358 (9.1)	1.535 (39.0)	.785 (19.9)	1/2"-13 UNC	ELECTRO-GALV
B100 3/8	3/8" UNIVERSAL SPRING NUT	.358 (9.1)	.394 (10.0)	.785 (19.9)	3/8"-16 UNC	ELECTRO-GALV
A100 3/8	3/8" UNIVERSAL SPRING NUT	.358 (9.1)	1.535 (39.0)	.785 (19.9)	3/8"-16 UNC	ELECTRO-GALV
B100 1/4	1/4" UNIVERSAL SPRING NUT	.238 (6.1)	.787 (20.0)	.785 (19.9)	1/4"-20 UNC	ELECTRO-GALV
A100 1/4	1/4" UNIVERSAL SPRING NUT	.238 (6.1)	1.535 (39.0)	.785 (19.9)	1/4"-20 UNC	ELECTRO-GALV
CAT #	DESCRIPTION	DIM "A"	DIM "B"	DIM "C"	THREAD	FINISH

**GENERAL NOTES**

1. ALL DIMENSIONS ARE FOR REFERENCE ONLY.
2. DIMENSIONS IN BRACKETS [ ] ARE IN METRIC UNITS.

www.tnb.com

**Thomas & Betts**  
A Member of the ABB Group

DESCRIPTION:

**UNIVERSAL SPRING NUT**

**REVISIONS**

SEE ERN (2015003) FOR APPROVAL SIGNATURES & RELEASE DATE.  
PROJECT NO:004V000518

ORIGINAL PROJECT NO / ( ERN NO )

005D00094 / (2013203)

SHEET NO:

1 OF 1

REV. NO:

1

DRAWING NO:

WSD-001057

THIS DRAWING IS INTENDED FOR DESCRIPTIVE PURPOSES ONLY, AND THE RIGHT IS RESERVED TO DEVIATE FROM ANY OF THE DETAILS SHOWN HEREON.  
COPYRIGHT THOMAS & BETTS CORPORATION. ALL RIGHTS RESERVED. PROPRIETARY AND CONFIDENTIAL