

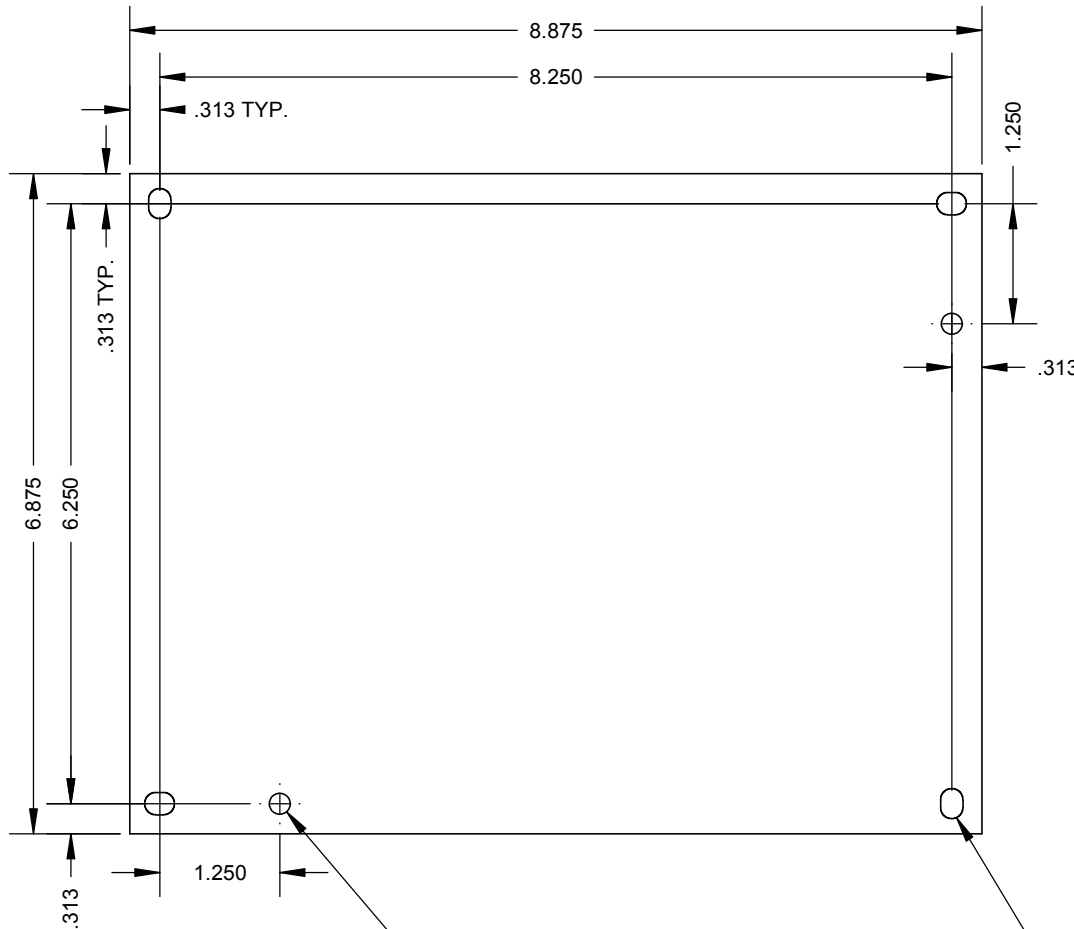


Catalog Number: A-108SBP
Item Description: STEEL PANELS
UPC Code: 784572172234

Brand Name: Milbank
Type: Panel for Mounting Electronic Controls
Application: Enclosure Accessory
Material: Steel
Shape: Rectangle
Color: White
Mounting: Stud Mount

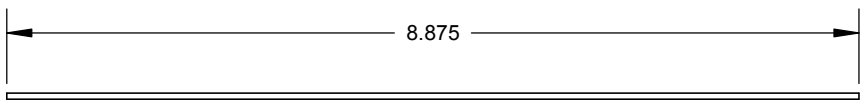
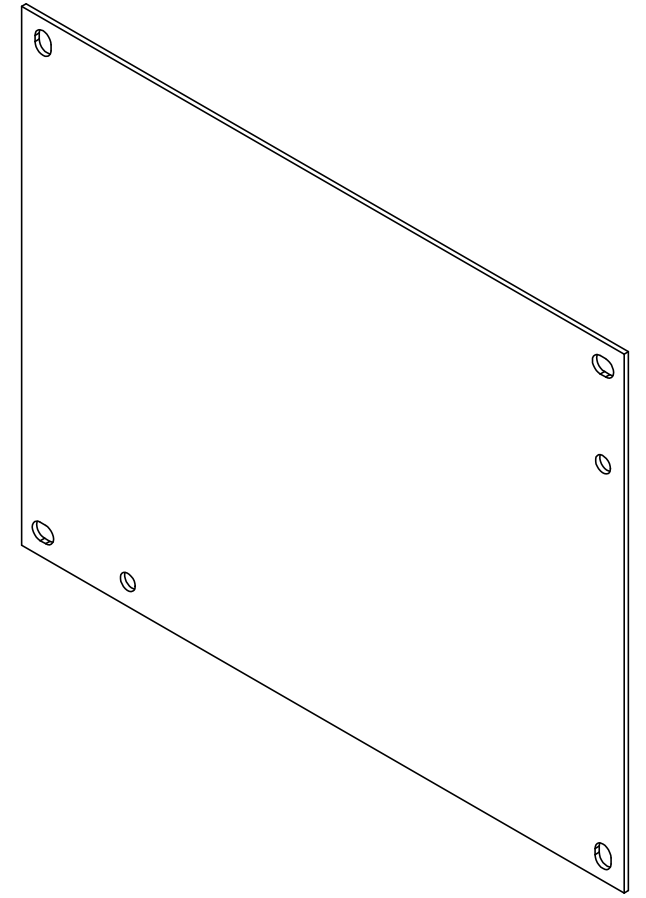



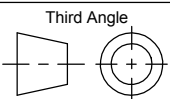
Utility requirements may vary. Always consult the serving utility for their requirements prior to ordering or installing this equipment. This product must always be installed by a licensed electrician. Installation of this equipment may require local electrical inspector approval.



Ø.219 GROUND HOLE
2 PLACES

.235 X .313 MOUNTING HOLE
4 PLACES



Material:	16 GA. GALV. STEEL	 MILBANK <small>ENERGY AT WORK</small>	General Offices: Kansas City, MO	
Finish:	PAINTED WHITE		Title:	ENCLOSURE BACK PANEL 10 x 8
Tolerances: Unless Specified Otherwise X.X ±.1 X.XX ±.03 X.XXX ±.015 X° ±2°		Catalog No.:	A-108SBP	
Third Angle  Projection		Ref:		
Scale:	NTS	Checked By:	Drawing No.:	1012340
Drawn By:	AJS	Approved By:	Date:	6/20/14 Sheet 1 of 1

**	6/20/14	FIRST RELEASE	AJS			
----	---------	---------------	-----	--	--	--

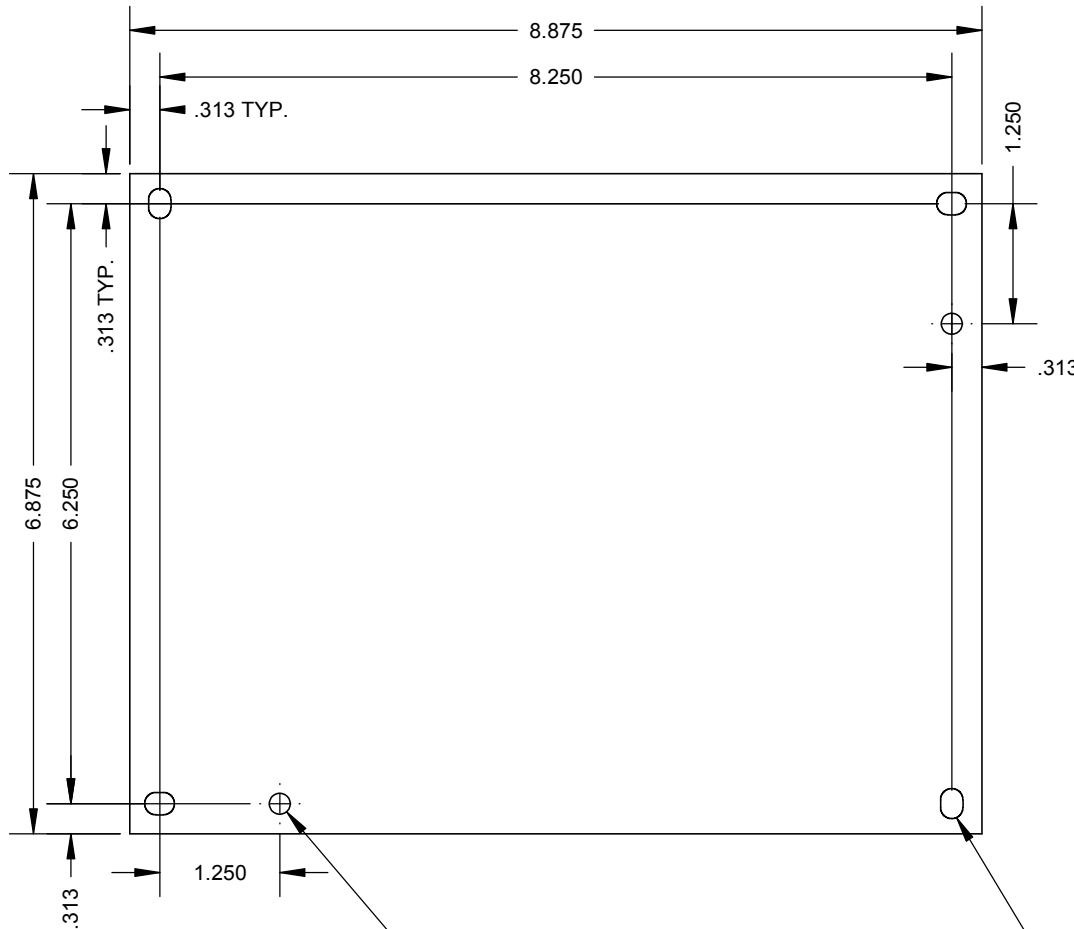


Catalog Number: A-108SBP
Item Description: STEEL PANELS
UPC Code: 784572172234

Brand Name: Milbank
Type: Panel for Mounting Electronic Controls
Application: Enclosure Accessory
Material: Steel
Shape: Rectangle
Color: White
Mounting: Stud Mount

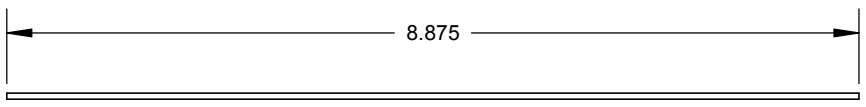
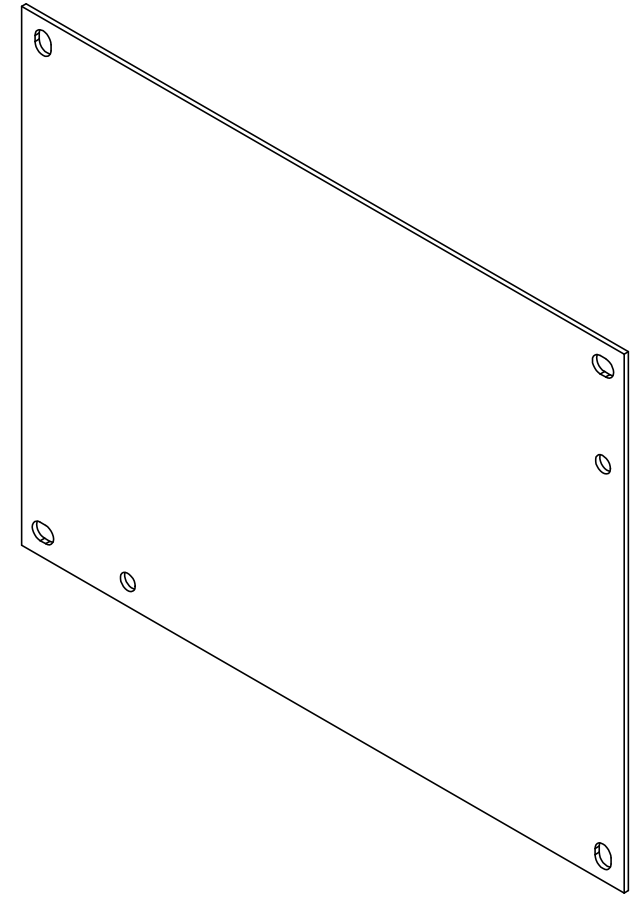



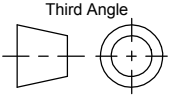
Utility requirements may vary. Always consult the serving utility for their requirements prior to ordering or installing this equipment. This product must always be installed by a licensed electrician. Installation of this equipment may require local electrical inspector approval.



Ø.219 GROUND HOLE
2 PLACES

.235 X .313 MOUNTING HOLE
4 PLACES



Material:	16 GA. GALV. STEEL	 MILBANK <small>ENERGY AT WORK</small>	General Offices: Kansas City, MO	
Finish:	PAINTED WHITE		Title:	ENCLOSURE BACK PANEL 10 x 8
Tolerances: Unless Specified Otherwise X.X ±.1 X.XX ±.03 X.XXX ±.015 X° ±2°		Catalog No.:	A-108SBP	
 Third Angle Projection		Ref:		
Scale:	NTS	Checked By:		
Drawn By:	AJS	Approved By:		
		Drawing No.:	1012340	
		Date:	6/20/14	
		Sheet	1 of 1	

**	6/20/14	FIRST RELEASE	AJS			
----	---------	---------------	-----	--	--	--