

CHAPTER

3

Non-Metallic

Featured Products in this Chapter



► POLYPRO®, Type 4X

P. 228



CHAPTER CONTENTS

Polyester

POLYPRO® , Type 4X	
POLYPRO®, Type 4X	228
Adjustable Panel Block Kit	230
Polyester Mounting Bracket Kits	230
Aluminum Swing-Out Panels	231
Stainless Steel Latches (Padlockable)	232
Hinge Retainers	232

Fiberglass

Continuous Hinge	
Continuous Hinge, Type 4X	234
Quick-Release Latch Kit	237
Screw- or Hinge-Cover with Quick-Release Latch	238
Screw- or Hinge-Cover with Quick-Release Latch, Type 4X	238
Fiberglass Mounting Bracket Kit	241

Overlapping Cover

Raised Cover with Screws, Type 4X	242
Raised Cover with Latches, Type 4X	244
Flat Cover with Screws, Type 4X	246
Flat Cover with Latches, Type 4X	248
Flat Clear Cover with Latches, Type 4X	250

ULTRX®

ULTRX®, Type 4X	252
Grounding Device	254
Panels for Type 3R, 4, 4X, 12 and 13 Enclosures	254
Rack Angles (Type RA)	255
Keylock Kit and Padlock Kit	255
Door Stop Kit	256
Swing Frame	256
ULTRX® Key Insert	257
ULTRX® Mounting Bracket Kit	257

Hinge-Cover with 3-Point Latch or Quick-Release Latches

Hinge-Cover with 3-Point Latch or Quick-Release Latches, Type 4X	258
--	-----

Free-Stand

Free-Stand, Type 4X	264
Accessory Selection for Free-Stand, Type 4X	266
Rack Mounting Accessory Selection for Free-Stand, Type 4X	267

Two-Door Free-Stand

Two-Door Free-Stand, Type 4X	268
Bottom Support Kits	269

Polycarbonate and ABS

QLINE® D

QLINE® D Pushbutton, Type 4X	270
QLINE® D, Type 4X	272
Hinge Kit	276
Mounting Bracket Kit	276
Hardware Kit	276
Panels	276
QLINE® D, EMC, Type 4X	278

QLINE® E

QLINE® E, Type 4X	280
Brass Inserts	284
Hinge Kit	284
Mounting Bracket Kit	284
Hardware Kit	284
Panels	284
QLINE® E, EMC, Type 4X	286

QLINE® I

QLINE® I, Type 4X	288
Cover Screw Kit	294
Brass Insert Kit	294
Panel Depth Fitting	294
Swing Panel	294
Hinge Kit	295
Mounting Bracket Kit	295
Hardware Kit	295
Extension Rings	295
Panels	295
QLINE® I, EMC, Type 4X	296

POLYPRO®, Type 4X

POLYPRO
ENCLOSURES

POLYPRO®, Type 4X



Industry Standards

Mounting brackets required to meet UL/CSA external mounting requirements.

UL 508A Listed; Type 4, 4X, 12, 13; File No. E61997
 cUL Listed per CSA C22.2 No 94; Type 4, 4X, 12, 13; File No. E61997
 Enclosure flammability evaluated per UL 508A
 Window flammability evaluated per UL 508A

NEMA/EEMAC Type 4, 4X, 12, 13
 CSA File No. 42186; Type 4, 4X, 12, 13 (solid covers only)
 IEC 60529, IP66

Application

POLYPRO® polyester enclosures perform exceptionally well in applications where harsh chemicals, weather extremes and corrosive environments demand toughness from a lightweight enclosure. Providing excellent ultraviolet protection and a tight environmental seal, these versatile, feature-rich enclosures are also recyclable.

Specifications

- Non-glass-filled polyester material offers superior UV resistance; eliminates fiberbloom associated with fiberglass
- Provides excellent chemical resistance to a broad range of solvents, alkalis and acids
- Resists cracking and provides excellent impact resistance
- Lighter-weight than fiberglass
- Recyclable
- Easy, dustless in-field modifications using standard tools
- Overlapping tongue-and-groove raised cover and gasket provide a secure Type 4X seal

- Removable snap-hinge cover allows for easy access to cover and body for modifications
- Molded layout grid on inside of body and solid covers assists with component mounting
- Molded-in embosses for rear panel mounting
- Optional cover screws included with all models
- Internal rail system and adjustable panel blocks allow for panel height adjustment and installation of multiple panels
- Scratch-resistant polycarbonate windows
- Standard models include body and cover, two mounting feet, two latch assemblies with optional cover screws and hardware (adjustable panel blocks and panels sold separately)

Finish

RAL 7035 light-gray textured finish inside and out

Accessories

See also *Accessories*.
 Adjustable Panel Block Kit
 Panels for Junction Boxes
 HOL-SEALERS™ Non-Metallic Hole Seals
 Aluminum Swing-Out Panels
 Stainless Steel Latches (Padlockable)
 Hinge Retainers

Modification and Customization

Hoffman excels at modifying and customizing products to your specifications. Contact your local Hoffman sales office or distributor for complete information.

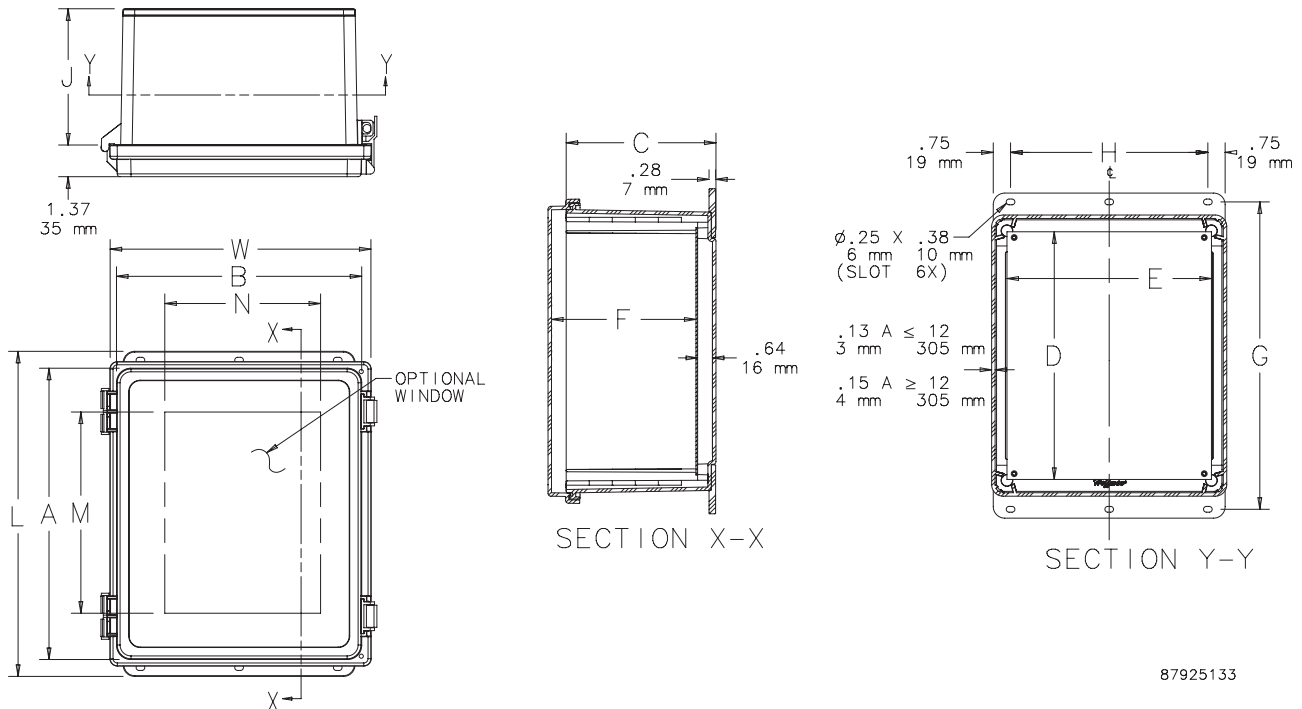
Bulletin: PCR

POLYPRO®, Type 4X

Standard Product

Catalog Number	AxBxC in./mm	Cover Type	Steel Panel	Aluminum Panel	Panel Size								
					D x E in./mm	F in./mm	G in./mm	H in./mm	J in./mm	L in./mm	M in./mm	N in./mm	W in./mm
A644PHC	6.12 x 4.12 x 4.38	Solid	A6P4	A6P4AL	4.88 x 2.88	4.32	7.38	2.56	3.91	8.15	—	—	5.23
	155 x 105 x 111				124 x 73	110	187	65	99	207	—	—	133
A644PHCW	6.12 x 4.12 x 4.38	Window	A6P4	A6P4AL	4.88 x 2.88	4.32	7.38	2.56	3.91	8.15	4.25	2.25	5.23
	155 x 105 x 111				124 x 73	110	187	65	99	207	108	57	133
A664PHC	6.12 x 6.12 x 4.38	Solid	A6P6	A6P6AL	4.88 x 4.88	4.32	7.38	4.56	3.91	8.15	—	—	7.23
	155 x 155 x 111				124 x 124	110	187	116	99	207	—	—	184
A664PHCW	6.12 x 6.12 x 4.38	Window	A6P6	A6P6AL	4.88 x 4.88	4.32	7.38	4.56	3.91	8.15	4.25	4.25	7.23
	155 x 155 x 111				124 x 124	110	187	116	99	207	108	108	184
A864PHC	8.12 x 6.12 x 4.38	Solid	A8P6	A8P6AL	6.75 x 4.88	4.32	9.38	4.56	3.91	10.15	—	—	7.23
	206 x 155 x 111				171 x 124	110	238	116	99	258	—	—	184
A864PHCW	8.12 x 6.12 x 4.38	Window	A8P6	A8P6AL	6.75 x 4.88	4.32	9.38	4.56	3.91	10.15	6.25	4.25	7.23
	206 x 155 x 111				171 x 124	110	238	116	99	258	159	108	184
A884PHC	8.12 x 8.12 x 4.38	Solid	A8P8	A8P8AL	6.75 x 6.88	4.32	9.38	6.56	3.91	10.15	—	—	9.23
	206 x 206 x 111				171 x 175	110	238	167	99	258	—	—	234
A884PHCW	8.12 x 8.12 x 4.38	Window	A8P8	A8P8AL	6.75 x 6.88	4.32	9.38	6.56	3.91	10.15	6.25	6.25	9.23
	206 x 206 x 111				171 x 175	110	238	167	99	258	159	159	234
A1084PHC	10.12 x 8.12 x 4.38	Solid	A10P8	A10P8AL	8.75 x 6.88	4.32	11.38	6.56	3.91	12.15	—	—	9.23
	257 x 155 x 111				222 x 175	110	289	167	99	309	—	—	234
A1084PHCW	10.12 x 8.12 x 4.38	Window	A10P8	A10P8AL	8.75 x 6.88	4.32	11.38	6.56	3.91	12.15	8.25	6.25	9.23
	257 x 155 x 111				222 x 175	110	289	167	99	309	210	159	234
A10106PHC	10.04 x 10.04 x 6.38	Solid	A10P10	A10P10AL	8.75 x 8.88	6.32	11.31	8.56	5.91	12.08	—	—	11.23
	255 x 255 x 162				222 x 226	161	287	217	150	307	—	—	285
A10106PHCW	10.04 x 10.04 x 6.38	Window	A10P10	A10P10AL	8.75 x 8.88	6.32	11.31	8.56	5.91	12.08	8.25	8.25	11.23
	255 x 255 x 162				222 x 226	161	287	217	150	307	210	210	285
A12106PHC	12.08 x 10.09 x 6.38	Solid	A12P10	A12P10AL	10.75 x 8.88	6.32	13.34	8.56	5.91	14.08	—	—	11.23
	307 x 256 x 162				273 x 226	161	339	217	150	358	—	—	285
A12106PHCW	12.08 x 10.09 x 6.38	Window	A12P10	A12P10AL	10.75 x 8.88	6.32	13.34	8.56	5.91	14.08	10.25	8.25	11.23
	307 x 256 x 162				273 x 226	161	339	217	150	358	260	210	285
A14128PHC	14.02 x 12.01 x 8.35	Solid	A14P12	A14P12AL	12.75 x 10.88	8.27	15.27	10.56	7.91	16.04	—	—	13.32
	356 x 305 x 212				324 x 276	210	388	268	201	407	—	—	338
A14128PHCW	14.02 x 12.01 x 8.35	Window	A14P12	A14P12AL	12.75 x 10.88	8.27	15.27	10.56	7.91	16.04	12.25	10.25	13.32
	356 x 305 x 212				324 x 276	210	388	268	201	407	311	260	338
A16148PHC	16.02 x 14.01 x 8.35	Solid	A16P14	A16P14AL	14.75 x 12.88	8.27	17.27	12.56	7.91	18.04	—	—	15.32
	407 x 356 x 212				375 x 327	210	439	319	201	458	—	—	389
A16148PHCW	16.02 x 14.01 x 8.35	Window	A16P14	A16P14AL	14.75 x 12.88	8.27	17.27	12.56	7.91	18.04	14.25	12.25	15.32
	407 x 356 x 212				375 x 327	210	439	319	201	458	362	311	389
A181610PHC	17.95 x 15.94 x 10.35	Solid	A18P16	A18P16AL	16.75 x 14.88	10.27	19.20	14.56	9.91	19.97	—	—	17.32
	456 x 405 x 263				425 x 378	261	488	370	252	507	—	—	440
A181610PHCW	17.95 x 15.94 x 10.35	Window	A18P16	A18P16AL	16.75 x 14.88	10.27	19.20	14.56	9.91	19.97	16.25	14.25	17.32
	456 x 405 x 263				425 x 378	261	488	370	252	507	413	362	440

Purchase panels separately. Panels are available in aluminum, mild steel, stainless steel, conductive and composite materials.



87925133

POLYPRO®, Type 4X

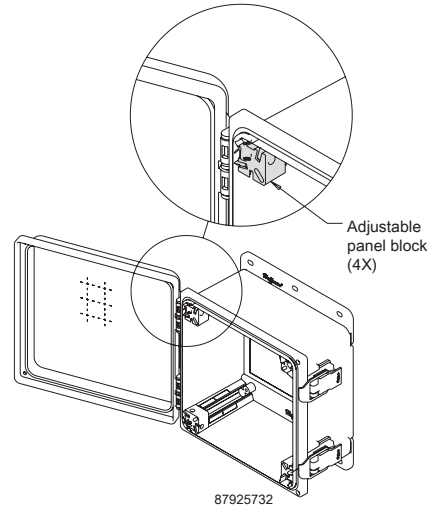
Adjustable Panel Block Kit

Panel blocks slide inside POLYPRO internal rail system for panel height adjustment within top 5 in. of enclosure. Allows for installation of multiple panels.

Bulletin: PCRY

Catalog Number	Qty.
APNLBLK	4

Includes Allen wrench

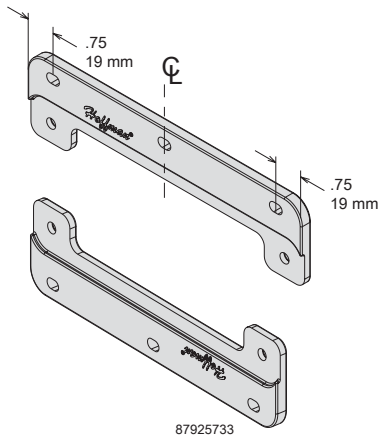


Polyester Mounting Bracket Kits

Replacement POLYPRO mounting brackets are sold in sets of two and include hardware for mounting to enclosure. Included with standard POLYPRO models.

Bulletin: PCRY

Catalog Number	Description (in.)	Qty.
APOLYFT4	4.00	2
APOLYFT6	6.00	2
APOLYFT8	8.00	2
APOLYFT10	10.00	2
APOLYFT12	12.00	2
APOLYFT14	14.00	2
APOLYFT16	16.00	2

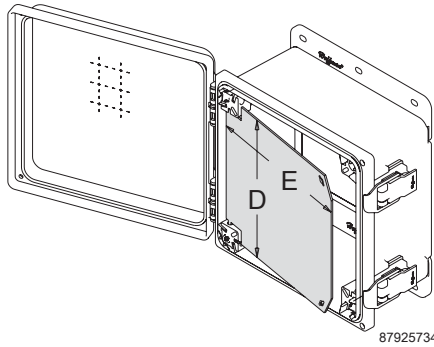


POLYPRO®, Type 4X

Aluminum Swing-Out Panels

Includes four POLYPRO Adjustable Panel Blocks. No enclosure modification is required for installation.

Bulletin: PCRY



Catalog Number	D x E (in.)	D x E (mm)
A64PSWPNL	5.00 x 3.62	127 x 92
A66PSWPNL	5.00 x 5.62	127 x 143
A86PSWPNL	7.00 x 5.62	178 x 143
A88PSWPNL	7.00 x 7.62	178 x 194
A108PSWPNL	9.00 x 7.62	229 x 194
A1010PSWPNL	9.00 x 9.62	229 x 244
A1210PSWPNL	11.00 x 9.62	279 x 244
A1412PSWPNL	13.00 x 11.62	330 x 295
A1614PSWPNL	15.00 x 13.62	381 x 346
A1816PSWPNL	17.00 x 15.62	432 x 397

POLYPRO®, Type 4X

Stainless Steel Latches (Padlockable)



Stainless Steel Latches can be retrofitted on all POLYPRO models with no modification or drilling required. Hinge/latch constructed of corrosion-resistant polyester with a Type 316L stainless steel bail. Included with standard POLYPRO models.

Bulletin: PCRY

Catalog Number	Qty.
AQRLSS6	2

Hinge Retainers



Hinge Retainers can be field-installed without modification to POLYPRO hinges for applications where easy cover removal is not desired. Two retainers per enclosure is recommended. Kit includes ten hinge retainers.

Bulletin: PCRY

Catalog Number	Description	Pkg. Qty.
AHGCLP	POLYPRO Hinge Retainers	10

Notes

Continuous Hinge

Continuous Hinge, Type 4X



Industry Standards

Mounting brackets required to meet UL/CSA external mounting requirements.

UL 508A Listed; Type 4, 4X, 12, 13; File No. E61997
 cUL Listed per CSA C22.2 No 94; Type 4, 4X, 12, 13; File No. E61997
 Enclosure flammability evaluated per UL 508A
 Window flammability evaluated per UL 508A

NEMA/EEMAC Type 4, 4X, 12, 13
 CSA File No. 42186: Type 4, 4X, 12, 13
 IEC 60529, IP66

Application

The efficient design and simple construction of these enclosures make them durable in corrosive environments, yet aesthetically pleasing. Corner latches provide unobstructed access. The continuous hinge provides a secure seal, and double latching creates added security.

Specifications

- Compression-molded fiberglass has outstanding chemical- and temperature-resistance qualities and exhibits excellent weatherability and physical properties
- Fiberglass is easily punched, drilled, filed or sawed
- Gasket assures water-tight and dust-tight seal
- Polyester mounting brackets and stainless steel attachment screws are provided with each enclosure
- Scratch-resistant polycarbonate windows are permanently bonded in place
- Molded-in-place threaded brass inserts and plated steel screws are provided for mounting optional panels and terminal block kits
- Removable hinged cover attached to body with Type 316 stainless steel hinge pin
- Screw-cover enclosures are secured with two captivated Type 316 stainless steel slotted cover screws
- Enclosures with quick-release latches have corrosion-resistant polyester latches located in corners that provide unobstructed access to enclosure
- Hinge pin and bail are corrosion-resistant Type 316 stainless steel
- Padlock provisions included in each latch

Finish

Fiberglass material is light-gray inside and out. Optional steel panels are painted white. Optional stainless steel, aluminum, conductive and composite panels are unpainted.

Accessories

See also *Accessories*.
 H2OMIT® Vent Drains, Type 4X
 HOL-SEALERS™ Non-Metallic Hole Seals
 Panels for Junction Boxes
 Threaded Panel Extenders
 Quick-Release Latch Kit
 Swing-Out Panel Kit

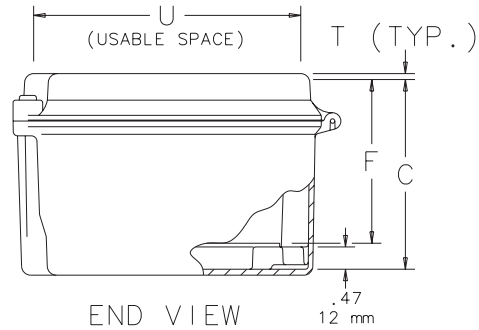
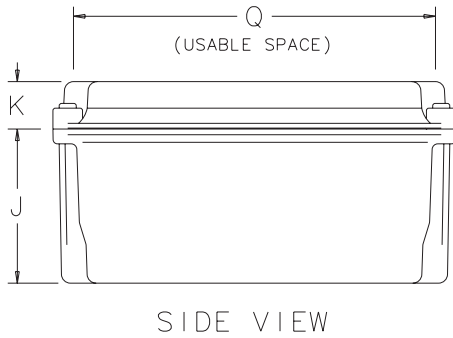
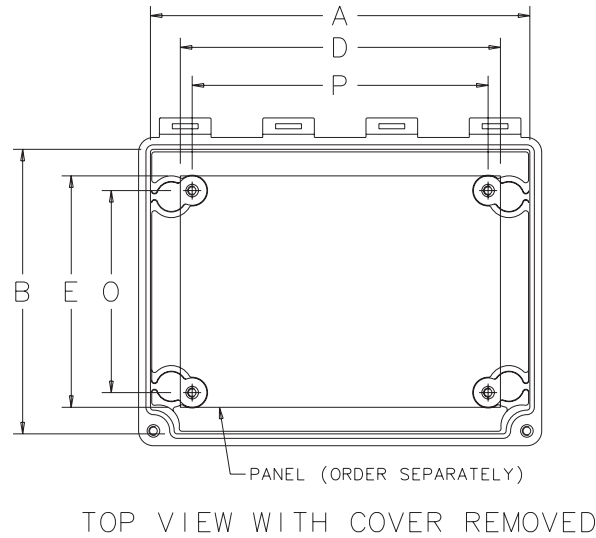
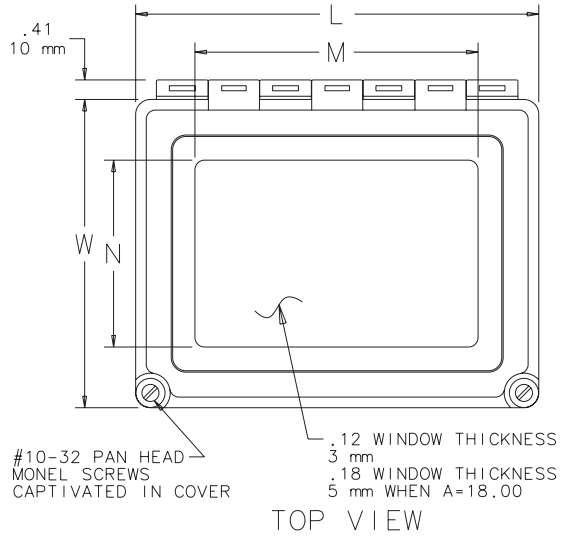
Modification and Customization

Hoffman excels at modifying and customizing products to your specifications. Contact your local Hoffman sales office or distributor for complete information.

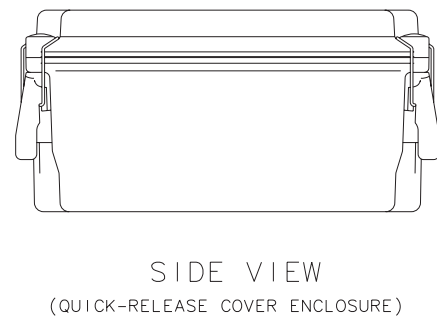
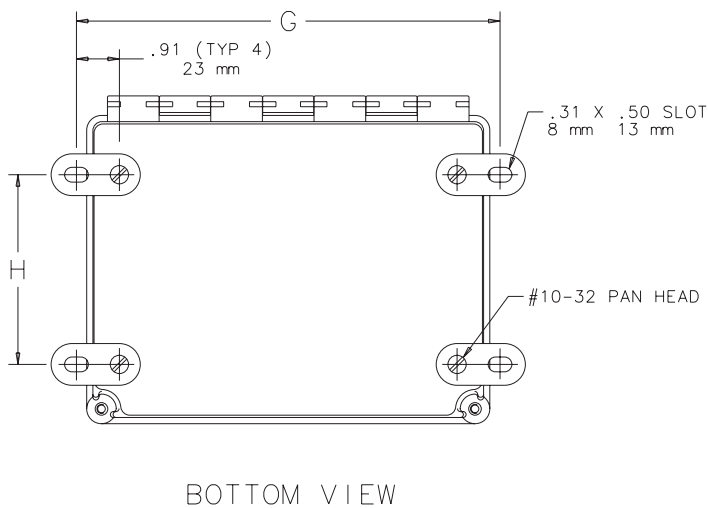
Bulletin: A48

Continuous Hinge

Hinged Window Cover Type 4X



NOTE: 1. Panel screws have #10-32 threads.
2. Mounting brackets are .16 (4mm) thick.



C2567-C

Quick-Release Latch Kit



Continuous Hinge

Two fiberglass-reinforced gray polyester latches with 316L stainless steel bail and screw-hole plugs are included in each package. Supplied with Continuous Hinge, Type 4X enclosures and available for Fiberglass Hinged Cover WiFi Cabinet, Type 4X. Kit converts screw-cover enclosures to quick-release without modification. No tools needed to install. Padlocking provision is included.

Bulletin: A48Y

Catalog Number	Description	Kit Qty.
AL48	Quick-Release Latch Kit	2

Continuous Hinge

Screw- or Hinge-Cover with Quick-Release Latch, Type 4X

**Industry Standards**

Mounting brackets required to meet UL/CSA external mounting requirements.

UL 508A Listed; Type 3, 3R, 4, 4X, 12, 13; File No. E61997
 cUL Listed per CSA C22.2 No 94; Type 3, 3R, 4, 4X, 12, 13;
 File No. E61997
 Enclosure flammability evaluated per UL 508A
 Window flammability evaluated per UL 508A

NEMA/EEMAC Type 3, 3R, 4, 4X, 12, 13

CSA File No. 42186; Type 3R, 4, 4X, 12

IEC 60529, IP66

Meets NEMA Type 3RX requirements

Application

Able to withstand harsh environments, these small enclosures feature a simple, traditional non-metallic design that is suitable for a broad range of applications.

Specifications

- Compression-molded fiberglass material has excellent temperature and chemical resistance qualities and exhibits outstanding physical properties
- Fiberglass material is easily punched, drilled, filed or sawed
- Seamless foam-in-place gasket assures water-tight and dust-tight seal
- Threaded internal bosses provided for mounting optional panels and terminal block kits

- Scratch-resistant polycarbonate windows are permanently bonded in place
- Screw-cover enclosures have easily removable covers attached to body with internal plated steel hinges. Cover securely fastens to the body with four captivated Type 316 stainless steel cover screws.
- Enclosures with quick-release latches have corrosion-resistant polyester hinges and polyester latches with a Type 316L stainless steel bail. Attached with Type 316 stainless steel screws. A Type 316L stainless steel padlock hasp is furnished with each enclosure.
- Sealing washers are furnished with enclosure

Finish

Fiberglass material is light-gray inside and out. Optional steel panels are painted white. Optional stainless steel, aluminum and composite panels are unpainted.

Accessories

See also Accessories.

H2OMIT® Vent Drains, Type 4X

HOL-SEALERS™ Non-Metallic Hole Seals

Panels for Junction Boxes

Modification and Customization

Hoffman excels at modifying and customizing products to your specifications. Contact your local Hoffman sales office or distributor for complete information.

Bulletin: A50

Continuous Hinge

Standard Product **Solid Cover with Screws**

Catalog Number	Ax B x C in./mm	Inside Dimensions		Steel Panel	Aluminum Panel	Panel Size D x E in./mm	Mounting G x H in./mm	Overall L x W in./mm	F in./mm	J in./mm	K in./mm	V in./mm	X in./mm	Y in./mm
		A x B x C in./mm	in./mm											
A645JFGR	6.00 x 4.00 x 5.00	5.50 x 4.00 x 4.94		No Panel	No Panel	No Panel	4.75 x 2.00	6.00 x 4.50	4.41	4.13	1.00	--	4.22	3.59
	152 x 102 x 127	140 x 102 x 125				No Panel	121 x 51	152 x 114	112	105	25	--	107	91
A845JFGR	8.00 x 4.00 x 5.00	7.50 x 4.00 x 4.94	A6P4	A6P4AL	4.88 x 2.88	6.75 x 2.00	8.00 x 4.50	4.41	4.13	1.00	0.31	6.22	3.59	
	203 x 102 x 127	191 x 102 x 125			124 x 73	171 x 51	203 x 114	112	105	25	8	158	91	
A865JFGR	8.00 x 6.00 x 5.00	7.50 x 6.00 x 5.19	A6P6	A6P6AL	4.88 x 4.88	6.75 x 4.00	8.00 x 6.50	4.66	4.38	1.00	0.31	6.22	5.59	
	203 x 152 x 127	191 x 152 x 132			124 x 124	171 x 102	203 x 165	118	111	25	8	158	142	
A1066JFGR	10.00 x 6.00 x 6.00	9.50 x 6.00 x 5.69	A8P6	A8P6AL	6.75 x 4.88	8.75 x 4.00	10.00 x 6.50	5.16	4.63	1.25	0.25	8.12	5.50	
	254 x 152 x 152	241 x 152 x 145			171 x 124	222 x 102	254 x 165	131	118	32	6	206	140	
A1287JFGR	12.00 x 8.00 x 7.00	11.50 x 8.00 x 6.69	A10P8	A10P8AL	8.75 x 6.88	10.75 x 6.00	12.00 x 8.50	6.16	5.13	1.75	0.25	9.97	7.34	
	305 x 203 x 178	292 x 203 x 170			222 x 175	273 x 152	305 x 216	156	130	44	6	253	186	
A14107JFGR	14.00 x 10.00 x 7.00	13.50 x 10.00 x 7.19	A12P10	A12P10AL	10.75 x 8.88	12.75 x 8.00	14.00 x 10.50	6.66	5.63	1.75	0.25	11.97	9.34	
	356 x 254 x 178	343 x 254 x 183			273 x 226	324 x 203	356 x 267	169	143	44	6	304	237	
A16128JFGR	16.00 x 12.00 x 8.00	15.50 x 12.00 x 8.19	A14P12	A14P12AL	12.75 x 10.88	14.75 x 10.00	16.00 x 12.50	7.66	6.13	2.25	0.25	13.78	11.16	
	406 x 305 x 203	394 x 305 x 208			324 x 276	375 x 254	406 x 318	195	156	57	6	350	283	
A18149JFGR	18.00 x 14.00 x 9.00	17.50 x 14.00 x 8.69	A16P14	A16P14AL	14.75 x 12.88	16.75 x 12.00	18.00 x 14.50	8.16	6.63	2.25	0.25	15.78	13.16	
	457 x 356 x 229	445 x 356 x 221			375 x 327	425 x 305	457 x 368	207	168	57	6	401	334	

Purchase panels separately. Optional stainless steel, aluminum and composite material panels available for most sizes.

Standard Product **Solid Cover with Quick-Release Latches**

Catalog Number	Ax B x C in./mm	Inside Dimensions		Steel Panel	Aluminum Panel	Panel Size D x E in./mm	Mounting G x H in./mm	Overall L x W in./mm	F in./mm	J in./mm	K in./mm	V in./mm	X in./mm	Y in./mm	Number of Latches
		A x B x C in./mm	in./mm												
A645JFGRR	6.00 x 4.00 x 5.00	5.50 x 4.00 x 5.02		No Panel	No Panel	No Panel	4.75 x 2.00	6.00 x 5.39	4.50	4.13	1.00	--	4.22	3.59	1
	152 x 102 x 127	140 x 102 x 128				No Panel	121 x 51	152 x 137	114	105	25	--	107	91	
A845JFGRR	8.00 x 4.00 x 5.00	7.50 x 4.00 x 5.02	A6P4	A6P4AL	4.88 x 2.88	6.75 x 2.00	8.00 x 5.39	4.50	4.13	1.00	0.31	6.22	3.59	1	
	203 x 102 x 127	191 x 102 x 128			124 x 73	171 x 51	203 x 137	114	105	25	8	158	91		
A865JFGRR	8.00 x 6.00 x 5.00	7.50 x 6.00 x 5.28	A6P6	A6P6AL	4.88 x 4.88	6.75 x 4.00	8.00 x 7.39	4.75	4.38	1.00	0.31	6.22	5.59	2	
	203 x 152 x 127	191 x 152 x 134			124 x 124	171 x 102	203 x 188	121	111	25	8	158	142		
A1066JFGRR	10.00 x 6.00 x 6.00	9.50 x 6.00 x 5.78	A8P6	A8P6AL	6.75 x 4.88	8.75 x 4.00	10.00 x 7.39	5.25	4.63	1.25	0.25	8.12	5.50	2	
	254 x 152 x 152	241 x 152 x 147			171 x 124	222 x 102	254 x 188	133	118	32	6	206	140		
A1287JFGRR	12.00 x 8.00 x 7.00	11.50 x 8.00 x 6.78	A10P8	A10P8AL	8.75 x 6.88	10.75 x 6.00	12.00 x 9.39	6.25	5.13	1.75	0.25	9.97	7.34	2	
	305 x 203 x 178	292 x 203 x 172			222 x 175	273 x 152	305 x 239	159	130	44	6	253	186		
A14107JFGRR	14.00 x 10.00 x 7.00	13.50 x 10.00 x 7.28	A12P10	A12P10AL	10.75 x 8.88	12.75 x 8.00	14.00 x 11.39	6.75	5.63	1.75	0.25	11.97	9.34	2	
	356 x 254 x 178	343 x 254 x 185			273 x 226	324 x 203	256 x 289	171	143	44	6	304	237		
A16128JFGRR	16.00 x 12.00 x 8.00	15.50 x 12.00 x 8.28	A14P12	A14P12AL	12.75 x 10.88	14.75 x 10.00	16.00 x 13.39	7.75	6.13	2.25	0.25	13.78	11.16	2	
	406 x 305 x 203	394 x 305 x 210			324 x 276	375 x 254	406 x 340	197	156	57	6	350	283		
A18149JFGRR	18.00 x 14.00 x 9.00	17.50 x 14.00 x 8.78	A16P14	A16P14AL	14.75 x 12.88	16.75 x 12.00	18.00 x 15.39	8.25	6.63	2.25	0.25	15.78	13.16	2	
	457 x 356 x 229	445 x 356 x 223			375 x 327	425 x 305	457 x 391	210	168	57	6	401	334		

Purchase panels separately. Optional stainless steel, aluminum and composite material panels available for most sizes.

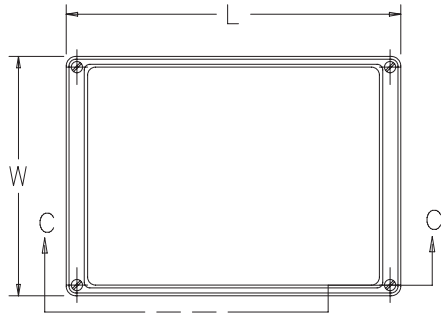
Standard Product **Window Cover with Quick-Release Latches**

Catalog Number	Ax B x C in./mm	Inside Dimensions		Steel Panel	Aluminum Panel	Panel Size D x E in./mm	Mounting G x H in./mm	Overall L x W in./mm	Window Size				Number of Latches
		A x B x C in./mm	in./mm						M x N in./mm	F in./mm	J in./mm	K in./mm	
A865JFGQPWR	8.00 x 6.00 x 5.00	7.50 x 6.00 x 5.03	A6P6	A6P6AL	4.88 x 4.88	6.75 x 4.00	8.00 x 7.39	4.55 x 4.00	4.52	4.38	1.00	0.31	1
	203 x 152 x 127	191 x 152 x 128			124 x 124	171 x 102	203 x 188	116 x 102	115	111	25	8	
A1066JFGQPWR	10.00 x 6.00 x 6.00	9.50 x 6.00 x 5.53	A8P6	A8P6AL	6.75 x 4.88	8.75 x 4.00	10.00 x 7.39	6.55 x 4.00	5.00	4.63	1.25	0.25	2
	254 x 152 x 152	241 x 152 x 140			171 x 124	222 x 102	254 x 188	166 x 102	127	118	32	6	
A1287JFGQPWR	12.00 x 8.00 x 7.00	11.50 x 8.00 x 6.53	A10P8	A10P8AL	8.75 x 6.88	10.75 x 6.00	12.00 x 9.39	8.25 x 5.84	6.00	5.13	1.75	0.25	2
	305 x 203 x 178	292 x 203 x 166			222 x 175	273 x 152	305 x 239	210 x 148	152	130	44	6	
A14107JFGQPWR	14.00 x 10.00 x 7.00	13.50 x 10.00 x 7.03	A12P10	A12P10AL	10.75 x 8.88	12.75 x 8.00	14.00 x 11.39	10.28 x 6.84	6.52	5.63	1.75	0.25	2
	356 x 254 x 178	343 x 254 x 179			273 x 226	324 x 203	253 x 289	261 x 174	166	143	44	6	
A16128JFGQPWR	16.00 x 12.00 x 8.00	15.50 x 12.00 x 8.03	A14P12	A14P12AL	12.75 x 10.88	14.75 x 10.00	16.00 x 13.39	12.34 x 9.10	7.52	6.13	2.25	0.25	2
	406 x 305 x 203	394 x 305 x 204			324 x 276	375 x 254	406 x 340	313 x 231	191	156	57	6	
A18149JFGQPWR	18.00 x 14.00 x 9.00	17.50 x 14.00 x 8.53	A16P14	A16P14AL	14.75 x 12.88	16.75 x 12.00	18.00 x 15.39	14.45 x 11.06	8.00	6.63	2.25	0.25	2
	457 x 356 x 229	445 x 356 x 217			375 x 327	425 x 305	457 x 391	367 x 281	203	168	57	6	

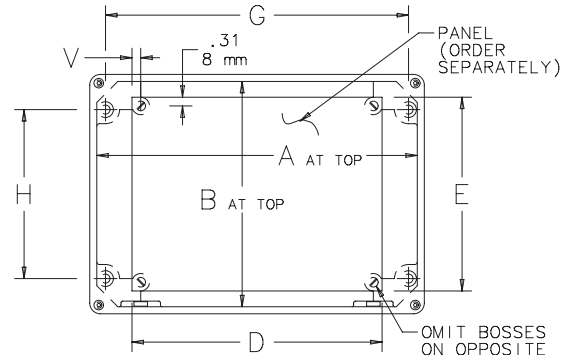
Purchase panels separately. Optional stainless steel, aluminum and composite material panels available for most sizes.

Continuous Hinge

Solid Screw Cover Enclosure

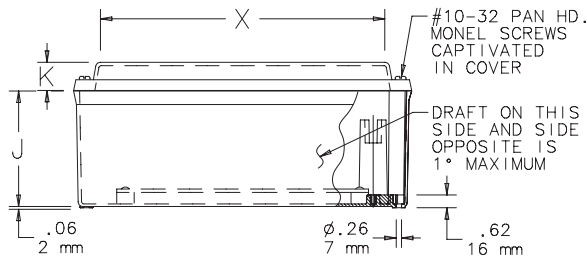


TOP VIEW WITH COVER

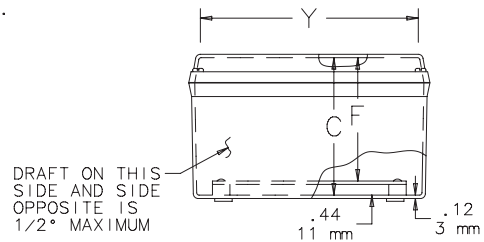


TOP VIEW WITH COVER REMOVED

NOTE: Panel screws have #10-32 threads.



SECTION C-C

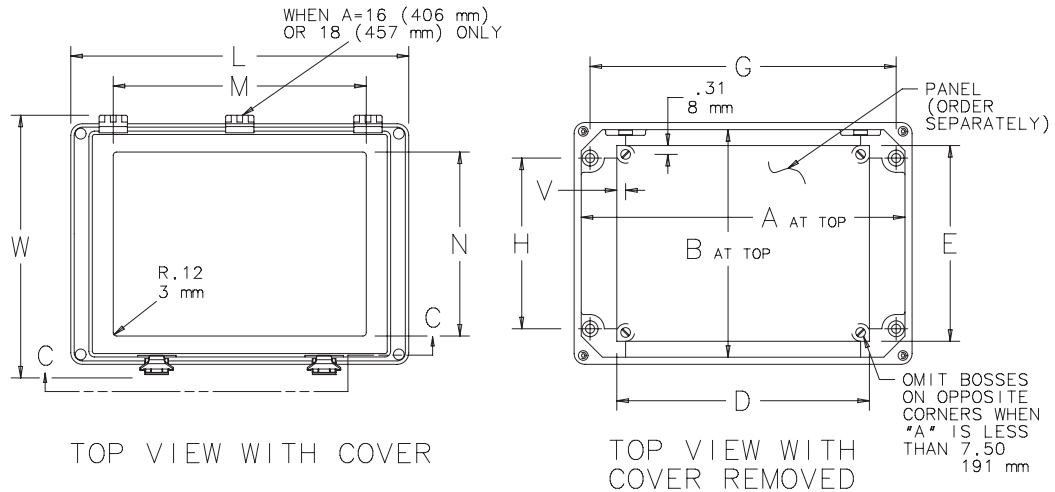


END VIEW

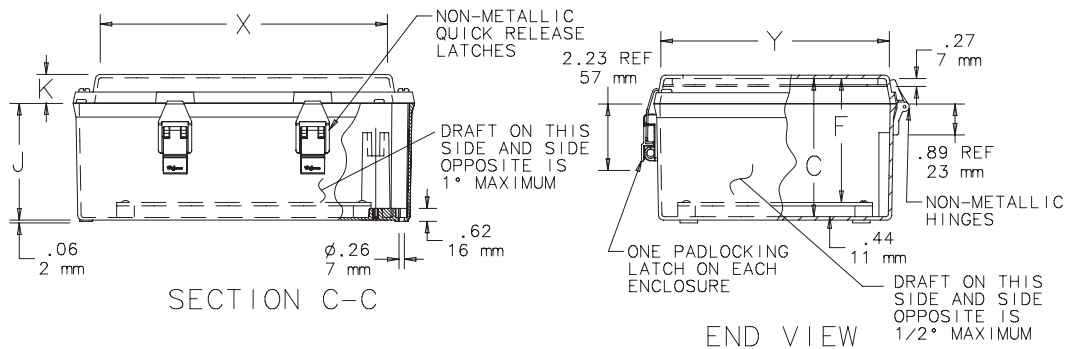
C2549-C

Continuous Hinge

Quick-Release Solid Cover Enclosure and Window Cover Enclosure



NOTE: 1. Panel screws have #10-32 threads.
2. Hinged cover opens 200° maximum.



C2550-C

Fiberglass Mounting Bracket Kit



Bracket is molded from fiberglass reinforced polyester. Kit includes four brackets, hardware and installation instructions. Mounting hole dimensions with mounting brackets installed are:

$[G + 2.50 (64 \text{ mm})] \times [H + .50 (13 \text{ mm})]$

See Screw- or Hinged-Cover with Quick-Release Latch, Type 4X tables for G and H dimensions.

Bulletin: A50Y

Catalog Number
A50MFKR

Overlapping Cover

Raised Cover with Screws, Type 4X



Industry Standards

UL 508A Listed; Type 3, 3R, 4, 4X, 12, 13; File No. E54315
 cUL Listed per CSA C22.2 No 94; Type 3, 3R, 4, 4X, 12, 13; File No. E54315
 Enclosure flammability per UL 508A

NEMA/EEMAC Type 3, 3R, 4, 4X, 12, 13
 CSA File No. 217184: Type 3, 3R, 4, 4X, 12, 13
 IEC 60529, IP66
 Meets NEMA Type 3RX requirements

Application

Enclosures feature a raised, overlapping-cover design that ensures a more-secure seal and offers increased internal space for mounting components. Available with removable and hinged covers for application flexibility.

Specifications

- Compression-molded fiberglass construction
- Overlapping solid raised-cover
- Cover fastens with screws
- Type 304 stainless steel piano hinges on hinged models
- Integral mounting brackets
- Enclosures protect equipment and operators from indirect electrical contact

Finish

Fiberglass material is RAL 7035 light-gray inside and out. Optional steel panels are painted white. Optional stainless steel, aluminum, conductive and composite panels are unpainted.

Accessories

See also *Accessories*.
 H2OMIT® Vent Drains, Type 4X
 HOL-SEALERS™ Non-Metallic Hole Seals
 Panels for Junction Boxes
 Swing-Out Panel Kit
 Terminal Block Kit Assembly for Junction Boxes Overview

Modification and Customization

Hoffman excels at modifying and customizing products to your specifications. Contact your local Hoffman sales office or distributor for complete information.

Bulletin: HJ

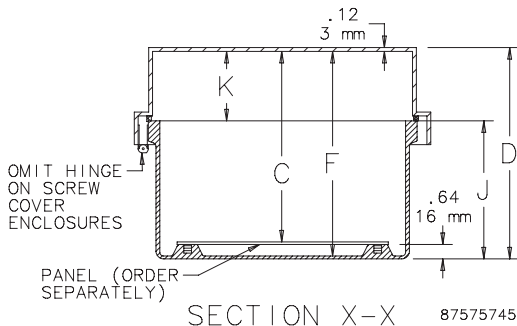
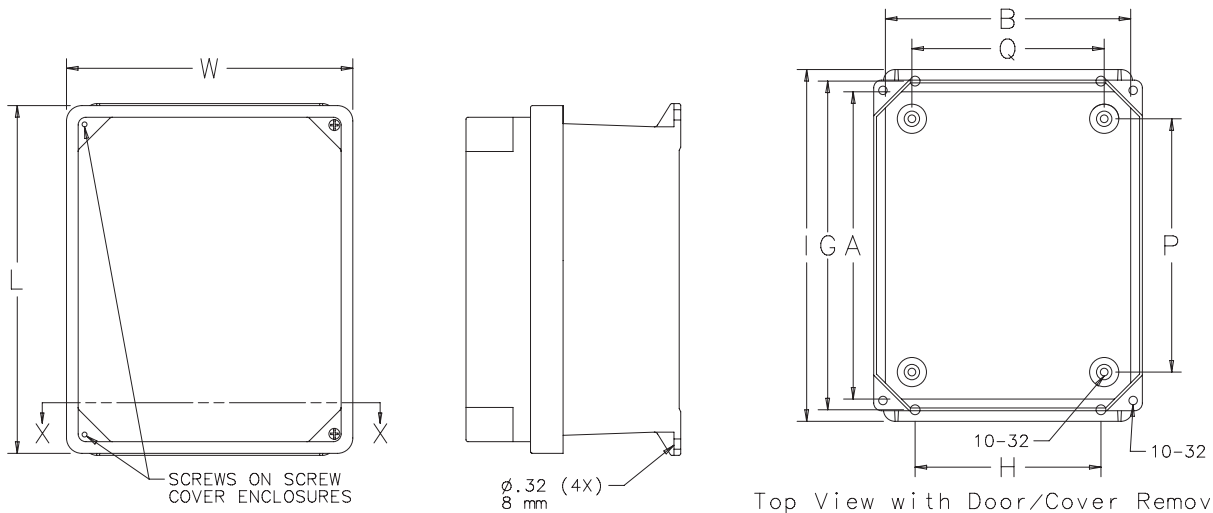
Overlapping Cover

Standard Product

Catalog Number	AxBxC in./mm	Door Fasteners	D in./mm	F in./mm	G in./mm	H in./mm	I in./mm	J in./mm	K in./mm	L in./mm	O in./mm	P in./mm	Q in./mm	W in./mm	Steel Panel	Alum Panel	Panel Size in./mm
RHJ1008HWLG	10.00 x 8.00 x 6.19 254 x 203 x 157	Hinged, 2 screws	6.93 176	6.61 168	10.75 273	6.02 153	11.52 293	4.54 115	2.27 58	11.31 287	3.15 80	8.25 210	6.24 158	9.31 276	A10P8	A10P8AL	8.75 x 6.88 222 x 102
RHJ1008WLG	10.00 x 8.00 x 6.19 254 x 203 x 157	4 screws	6.93 176	6.61 168	10.75 273	6.02 153	11.52 293	4.54 115	2.27 58	11.31 287	3.15 80	8.25 210	6.24 158	9.31 276	A10P8	A10P8AL	8.75 x 6.88 222 x 102
RHJ1210HWLG	12.00 x 10.00 x 6.37 305 x 254 x 162	Hinged, 2 screws	7.10 180	6.77 172	12.75 324	8.01 203	13.51 343	4.71 120	2.27 58	13.30 338	3.25 80	10.25 260	8.25 210	11.29 211	A12P10	A12P10AL	10.75 x 8.88 273 x 226
RHJ1210WLG	12.00 x 10.00 x 6.37 305 x 254 x 162	4 screws	7.10 180	6.77 172	12.75 324	8.01 203	13.51 343	4.71 120	2.27 58	13.30 338	3.15 80	10.25 260	8.25 210	11.29 211	A12P10	A12P10AL	10.75 x 8.88 273 x 226
RHJ1412HWLG	14.00 x 12.00 x 7.37 356 x 305 x 187	Hinged, 2 screws	8.19 208	7.87 200	14.75 375	10.00 254	15.50 394	5.68 144	2.39 61	15.21 389	3.27 83	12.25 311	10.24 260	13.30 338	A14P12	A14P12AL	12.75 x 10.88 324 x 276
RHJ1412WLG	14.00 x 12.00 x 7.37 356 x 305 x 187	4 screws	8.19 208	7.87 200	14.75 375	10.00 254	15.50 394	5.68 144	2.39 61	15.32 389	3.27 83	12.25 311	10.24 260	13.30 338	A14P12	A14P12AL	12.75 x 10.88 324 x 276
RHJ1614HWLG	16.00 x 14.00 x 7.37 406 x 356 x 187	Hinged, 2 screws	8.19 208	7.87 200	16.73 425	12.00 305	17.52 445	5.68 144	2.39 61	17.31 440	3.27 83	14.25 362	12.24 311	15.30 289	A16P14	A16P14AL	14.75 x 12.88 375 x 327
RHJ1614WLG	16.00 x 14.00 x 7.37 406 x 356 x 187	4 screws	8.19 208	7.87 200	16.73 425	12.00 305	17.52 445	5.68 144	2.39 61	17.31 440	3.27 83	14.25 362	12.24 311	15.30 289	A16P14	A16P14AL	14.75 x 12.88 375 x 327
RHJ1816HWLG	18.00 x 16.00 x 10.25 457 x 406 x 260	Hinged, 2 screws	11.07 281	10.83 275	18.74 476	12.00 305	19.50 495	8.56 217	2.39 61	19.32 491	3.27 83	16.25 413	14.25 362	17.31 440	A18P16	A18P16AL	16.75 x 14.88 425 x 378
RHJ1816WLG	18.00 x 16.00 x 10.25 457 x 406 x 260	4 screws	11.07 281	10.83 275	18.74 476	12.00 305	19.50 495	8.56 217	2.39 61	19.32 491	3.27 83	16.25 413	14.25 362	17.31 440	A18P16	A18P16AL	16.75 x 14.88 425 x 378

A x B x C are internal dimensions.

Purchase panels separately. Optional stainless steel, composite and aluminum panels are available for most sizes.



Overlapping Cover

Raised Cover with Latches, Type 4X



Industry Standards

UL 508A Listed; Type 3, 3R, 4, 4X, 12, 13; File No. E54315
 cUL Listed per CSA C22.2 No 94; Type 3, 3R, 4, 4X, 12, 13; File No. E54315
 Enclosure flammability per UL 508A

NEMA/EEMAC Type 3, 3R, 4, 4X, 12, 13
 CSA File No. 217184: Type 3, 3R, 4, 4X, 12, 13
 IEC 60529, IP66
 Meets NEMA Type 3RX requirements

Application

Enclosures feature a raised, hinged, overlapping cover design that ensures a more-secure seal and offers increased internal space for mounting components. Available with solid and window covers. Latches provide easy access and security.

Specifications

- Compression-molded fiberglass construction
- Overlapping raised solid- and window-covers
- Windows are clear polycarbonate
- Cover fastens with padlockable Type 316 stainless steel latches
- Type 304 stainless steel piano hinges
- Integral mounting brackets

- Enclosures protect equipment and operators from indirect electrical contact

Finish

Fiberglass material is RAL 7035 light-gray inside and out. Optional steel panels are painted white. Optional stainless steel, aluminum, conductive and composite panels are unpainted.

Accessories

See also Accessories.
 H2OMIT® Vent Drains, Type 4X
 HOL-SEALERS™ Non-Metallic Hole Seals
 Panels for Junction Boxes
 Swing-Out Panel Kit
 Terminal Block Kit Assembly for Junction Boxes Overview

Modification and Customization

Hoffman excels at modifying and customizing products to your specifications. Contact your local Hoffman sales office or distributor for complete information.

Bulletin: HJ

Standard Product

Catalog Number	Ax B x C in./mm	No. of Latches	Window Size		D in./mm	F in./mm	G in./mm	H in./mm	I in./mm	J in./mm	K in./mm	L in./mm	O in./mm	P in./mm	Q in./mm	W in./mm
			M x N in./mm	in./mm												
RHJB1008HWPL1LG	10.00 x 8.00 x 6.19	1	8.00 x 6.00	6.93	6.61	10.75	6.02	11.52	4.54	2.27	11.31	3.15	8.25	6.24	9.31	
	254 x 203 x 157		203 x 152	176	168	273	153	293	115	58	287	80	210	158	276	
RHJB1210HWPL2LG	12.00 x 10.00 x 6.37	2	10.00 x 8.00	7.10	6.77	12.75	8.01	13.51	4.71	2.27	13.30	3.15	10.25	8.25	11.29	
	305 x 254 x 162		254 x 203	180	172	324	203	343	120	58	338	80	260	210	211	
RHJB1412HWPL2LG	14.00 x 12.00 x 7.37	2	12.00 x 10.00	8.19	7.87	14.75	10.00	15.50	5.68	2.39	15.32	3.27	12.25	10.24	13.30	
	356 x 305 x 187		305 x 254	208	200	375	254	394	144	61	389	83	311	260	338	
RHJB1614HWPL2LG	16.00 x 14.00 x 7.37	2	14.00 x 12.00	8.19	7.87	16.73	12.00	17.52	5.68	2.39	17.31	3.27	14.25	12.24	15.30	
	406 x 356 x 187		356 x 305	208	200	425	305	445	144	61	440	83	362	311	289	
RHJ1008HWPL1LG	10.00 x 8.00 x 6.19	1	---	6.93	6.61	10.75	6.02	11.52	4.54	2.27	11.31	3.15	8.25	6.24	9.31	
	254 x 203 x 157		---	176	168	273	153	296	115	58	287	80	210	158	276	
RHJ1210HWPL2LG	12.00 x 10.00 x 6.37	2	---	7.10	6.77	12.75	8.01	13.51	4.71	2.27	13.30	3.15	10.58	8.25	11.29	
	305 x 254 x 162		---	180	172	324	203	343	120	58	338	80	260	210	211	
RHJ1412HWPL2LG	14.00 x 12.00 x 7.37	2	---	8.19	7.87	14.75	10.00	15.50	5.68	2.39	15.32	3.27	12.25	10.24	13.30	
	356 x 305 x 187		---	208	200	375	254	394	144	61	389	83	311	260	338	
RHJ1614HWPL2LG	16.00 x 14.00 x 7.37	2	---	8.19	7.87	16.73	12.00	17.52	5.68	2.39	17.31	3.27	14.25	12.24	15.30	
	406 x 356 x 187		---	208	200	425	305	445	144	61	440	83	362	311	289	
RHJ1816HWPL2LG	18.00 x 16.00 x 10.25	2	---	11.07	10.83	18.74	12.00	19.50	8.56	2.39	19.32	3.27	16.25	14.25	17.31	
	457 x 406 x 260		---	281	275	476	305	495	217	61	491	83	413	362	440	

A x B x C are internal dimensions.

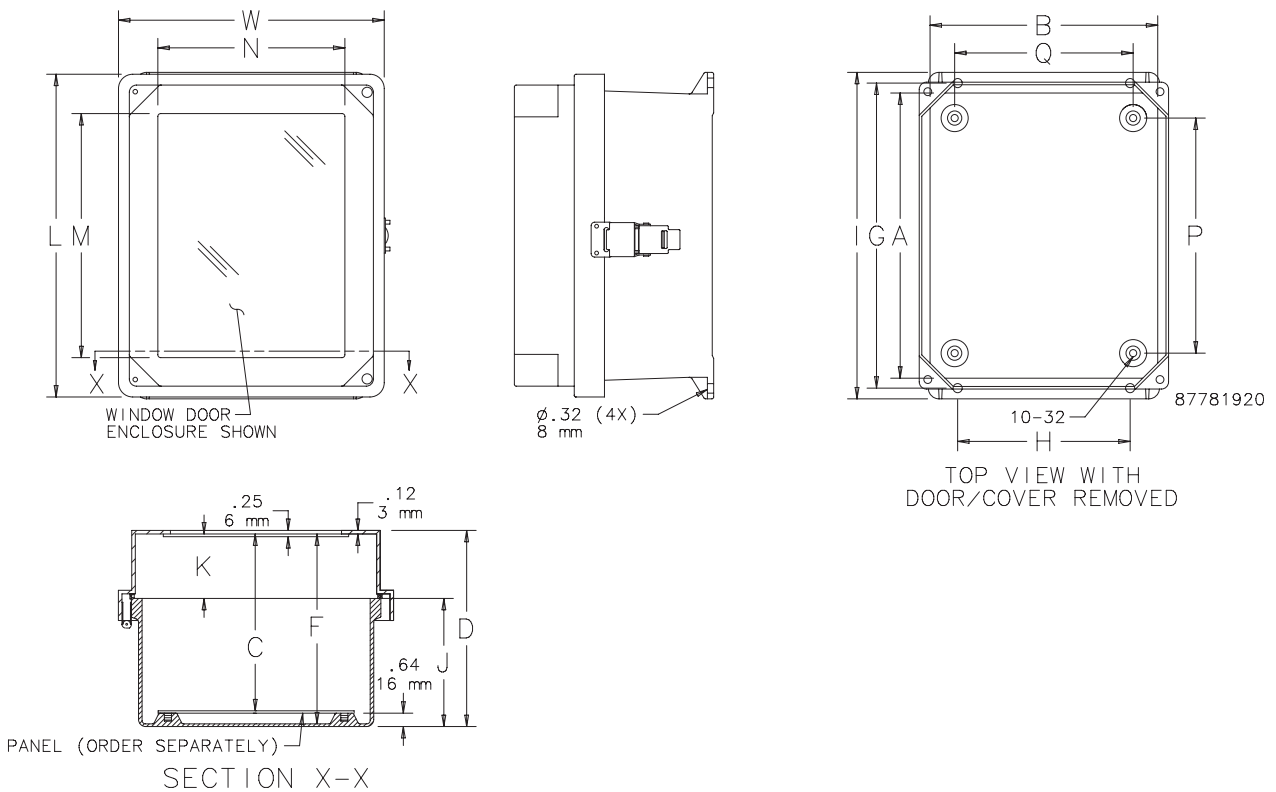
Purchase panels separately. Optional stainless steel, composite and aluminum panels are available for most sizes.

Overlapping Cover

Panels

Enclosure Catalog Number	Steel Panel	Aluminum Panel	Panel Size in./mm
RHJB1008HWPL1LG	A10P8	A10P8AL	8.75 x 6.88 222 x 102
RHJB1210HWPL2LG	A12P10	A12P10AL	10.75 x 8.88 273 x 226
RHJB1412HWPL2LG	A14P12	A14P12AL	12.75 x 10.88 324 x 276
RHJB1614HWPL2LG	A16P14	A16P14AL	14.75 x 12.88 375 x 327
RHJ1008HWPL1LG	A10P8	A10P8AL	8.75 x 6.88 222 x 102
RHJ1210HWPL2LG	A12P10	A12P10AL	10.75 x 8.88 273 x 226
RHJ1412HWPL2LG	A14P12	A14P12AL	12.75 x 10.88 324 x 276
RHJ1614HWPL2LG	A16P14	A16P14AL	14.75 x 12.88 375 x 327
RHJ1816HWPL2LG	A18P16	A18P16AL	16.75 x 14.88 425 x 378

Raised Cover Window Enclosures



Overlapping Cover

Flat Cover with Screws, Type 4X



Industry Standards

UL 508A Listed; Type 3, 3R, 4, 4X, 12, 13; File No. E54315
 cUL Listed per CSA C22.2 No 94; Type 3, 3R, 4, 4X, 12, 13; File No. E54315
 Enclosure flammability per UL 508A

NEMA/EEMAC Type 3, 3R, 4, 4X, 12, 13
 CSA File No. 217184: Type 3, 3R, 4, 4X, 12, 13
 IEC 60529, IP66
 Meets NEMA Type 3RX requirements

Application

Enclosures feature a flat, overlapping cover design that ensures a more-secure seal. Available with removable and hinged covers for application flexibility.

Specifications

- Compression-molded fiberglass construction
- Overlapping flat, solid-covers
- Cover fastens with screws
- Type 304 stainless steel piano hinges on hinged models
- Integral mounting brackets
- Enclosures protect equipment and operators from indirect electrical contact

Finish

Fiberglass material is RAL 7035 light-gray inside and out. Optional steel panels are painted white. Optional stainless steel, aluminum, conductive and composite panels are unpainted.

Accessories

See also Accessories.
 H2OMIT® Vent Drains, Type 4X
 HOL-SEALERS™ Non-Metallic Hole Seals
 Panels for Junction Boxes
 Swing-Out Panel Kit
 Terminal Block Kit Assembly for Junction Boxes Overview

Bulletin: HJ

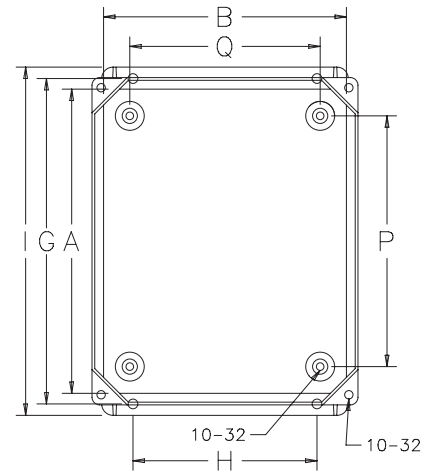
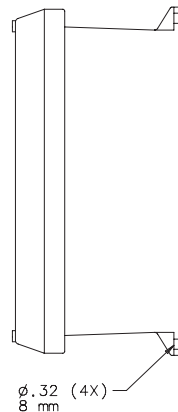
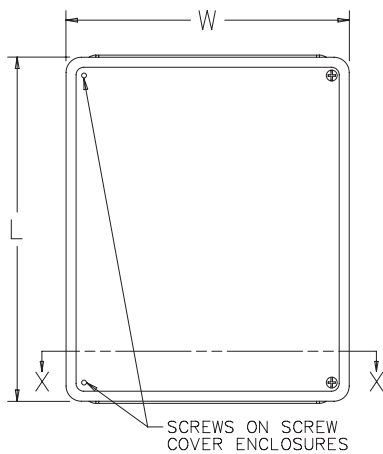
Overlapping Cover

Standard Product

Catalog Number	AxBxC in./mm	Door Fasteners	D in./mm	F in./mm	G in./mm	H in./mm	I in./mm	J in./mm	K in./mm	L in./mm	O in./mm	P in./mm	Q in./mm	W in./mm	Steel Panel	Aluminum Panel	Panel Size in./mm
HJ606HWLG	6.00 x 6.00 x 4.10	Hinged,	4.96	4.64	6.77	4.01	7.52	4.34	0.50	7.31	1.38	4.26	4.25	7.31	A6P6	A6P6AL	4.88 x 4.88
	152 x 152 x 104	2 screws	126	118	172	102	191	110	13	186	35	108	108	186			124 x 124
HJ606WLG	6.00 x 6.00 x 4.10	4 screws	4.96	4.64	6.77	4.01	7.52	4.34	0.50	7.31	1.38	4.26	4.25	7.31	A6P6	A6P6AL	4.88 x 4.88
	152 x 152 x 104		126	118	172	102	191	110	13	186	35	108	108	186			124 x 124
HJ806HWLG	8.00 x 6.00 x 4.10	Hinged,	4.96	4.64	8.74	4.01	9.50	3.19	1.65	9.30	1.77	6.25	4.25	7.31	A8P6	A8P6AL	6.75 x 4.88
	203 x 152 x 104	2 screws	126	118	222	102	241	81	42	236	45	159	108	186			171 x 124
HJ806WLG	8.00 x 6.00 x 4.10	4 screws	4.96	4.64	8.74	4.01	9.50	3.19	1.65	9.30	1.77	6.26	4.25	7.31	A8P6	A8P6AL	6.75 x 4.88
	203 x 152 x 104		126	118	222	102	241	81	42	236	45	159	108	186			171 x 124
HJ1008HWLG	10.00 x 8.00 x 4.59	Hinged,	5.43	5.12	10.75	6.02	11.52	3.55	1.65	11.31	1.77	8.25	3.24	9.31	A10P8	A10P8AL	8.75 x 6.88
	254 x 203 x 117	2 screws	138	130	273	153	293	93	42	287	45	210	158	236			222 x 102
HJ1008WLG	10.00 x 8.00 x 4.59	4 screws	5.43	5.12	10.75	6.02	11.52	3.88	1.65	11.31	1.77	8.25	6.24	9.31	A10P8	A10P8AL	8.75 x 6.88
	254 x 203 x 117		138	130	273	153	293	93	42	287	45	210	158	236			222 x 102
HJ1210HWLG	12.00 x 10.00 x 4.74	Hinged,	5.58	5.24	12.75	8.01	13.51	3.81	1.65	13.30	1.77	10.25	8.25	11.29	A12P10	A12P10AL	10.75 x 8.88
	305 x 254 x 120	2 screws	142	133	324	203	343	97	42	338	45	160	210	287			273 x 226
HJ1210WLG	12.00 x 10.00 x 4.74	4 screws	5.58	5.24	12.75	8.01	13.51	3.81	1.65	13.30	1.77	10.25	8.25	11.29	A12P10	A12P10AL	10.75 x 8.88
	305 x 254 x 120		142	133	324	203	343	97	42	338	45	160	210	287			273 x 226
HJ1412HWLG	14.00 x 12.00 x 5.74	Hinged,	6.70	6.38	14.75	10.00	15.50	4.93	1.65	15.32	1.77	12.25	10.24	13.30	A14P12	A14P12AL	12.75 x 10.88
	356 x 305 x 146	2 screws	170	162	375	254	394	125	42	389	45	311	260	338			324 x 276
HJ1412WLG	14.00 x 12.00 x 5.74	4 screws	6.70	6.38	14.75	10.00	15.50	4.93	1.65	15.32	1.77	12.25	10.24	13.30	A14P12	A14P12AL	12.75 x 10.88
	356 x 305 x 146		170	162	375	254	394	125	42	389	45	311	260	338			324 x 276
HJ1614HWLG	16.00 x 14.00 x 5.74	Hinged,	6.70	6.38	16.75	12.00	14.52	4.93	1.65	17.31	1.77	14.25	12.24	15.30	A16P14	A16P14AL	14.75 x 12.88
	406 x 356 x 146	2 screws	170	162	425	305	445	125	42	440	45	362	311	389			375 x 327
HJ1614WLG	16.00 x 14.00 x 5.74	4 screws	6.70	6.38	16.73	12.00	17.52	4.93	1.65	17.31	1.77	14.25	12.24	15.30	A16P14	A16P14AL	14.75 x 12.88
	406 x 356 x 146		170	162	425	305	445	125	42	440	45	362	311	389			375 x 327
HJ1816HWLG	18.00 x 16.00 x 8.62	Hinged,	9.58	9.25	18.74	12.00	19.50	7.81	1.65	19.31	1.77	16.25	14.25	17.31	A18P16	A18P16AL	16.75 x 14.88
	457 x 406 x 219	2 screws	243	235	476	305	495	198	42	490	45	413	362	440			425 x 378
HJ1816WLG	18.00 x 16.00 x 8.62	4 screws	9.58	9.25	18.47	12.00	19.50	7.81	1.65	19.31	1.77	16.25	14.25	17.31	A18P16	A18P16AL	16.75 x 14.88
	457 x 406 x 219		243	235	476	305	495	198	42	490	45	413	362	440			375 x 378

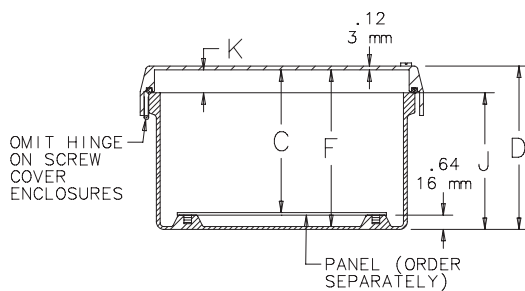
A x B x C are internal dimensions.

Purchase panels separately. Optional stainless steel, composite and aluminum panels are available for most sizes.



Top View with Door/Cover Removed

87575746



SECTION X-X

Overlapping Cover

Flat Cover with Latches, Type 4X



Industry Standards

UL 508A Listed; Type 3, 3R, 4, 4X, 12, 13; File No. E54315
 cUL Listed per CSA C22.2 No 94; Type 3, 3R, 4, 4X, 12, 13; File No. E54315
 Enclosure flammability per UL 508A

NEMA/EEMAC Type 3, 3R, 4, 4X, 12, 13
 CSA File No. 217184: Type 3, 3R, 4, 4X, 12, 13
 IEC 60529, IP66
 Meets NEMA Type 3RX requirements

Application

Enclosures feature a flat, overlapping cover design that ensures a more-secure seal. Available with solid and window covers. Latches provide easy access and security.

Specifications

- Compression-molded fiberglass construction
- Overlapping solid- and window-cover models are available
- Windows are clear polycarbonate
- Cover fastens with padlockable Type 316 stainless steel latches
- Type 304 stainless steel piano hinges
- Integral mounting brackets
- Enclosures protect equipment and operators from indirect electrical contact

Finish

Fiberglass material is RAL 7035 light-gray inside and out. Optional steel panels are painted white. Optional stainless steel, aluminum, conductive and composite panels are unpainted.

Accessories

See also Accessories.
 H2OMIT® Vent Drains, Type 4X
 HOL-SEALERS™ Non-Metallic Hole Seals
 Panels for Junction Boxes
 Swing-Out Panel Kit
 Terminal Block Kit Assembly for Junction Boxes Overview

Modification and Customization

Hoffman excels at modifying and customizing products to your specifications. Contact your local Hoffman sales office or distributor for complete information.

Bulletin: HJ

Overlapping Cover

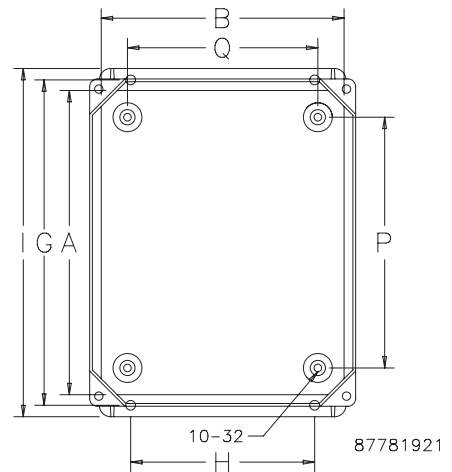
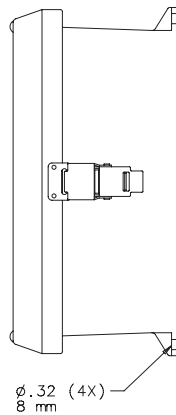
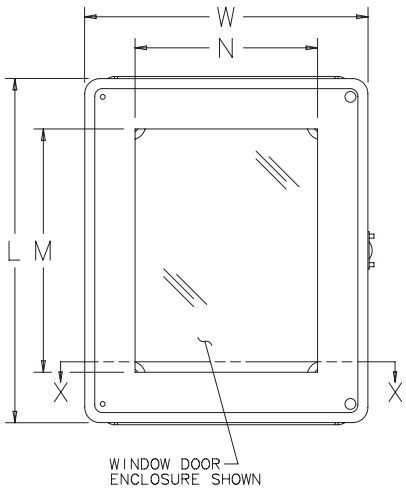
Standard Product

Catalog Number	Ax B x Cin./mm	No. of Latches	Window Size													Steel Panel	Aluminum Panel	Panel Size in./mm
			M x N in./mm	D in./mm	F in./mm	G in./mm	H in./mm	I in./mm	J in./mm	K in./mm	L in./mm	P in./mm	Q in./mm	W in./mm				
HJ606HWPL1LG	6.00 x 6.00 x 4.10	1	—	4.96	4.64	6.77	4.01	7.52	4.34	0.50	7.31	4.26	4.25	7.31	A6P6	A6P6AL	4.88 x 4.88	
	152 x 152 x 104	—	—	126	118	172	102	191	110	13	186	108	105	186			124 x 124	
HJ806HWPL1LG	8.00 x 6.00 x 4.10	1	—	4.96	4.64	8.74	4.01	9.50	3.19	1.65	9.30	6.26	4.25	7.31	A8P6	A8P6AL	6.75 x 4.88	
	203 x 152 x 104	—	—	126	118	222	102	241	81	42	276	159	108	186			171 x 124	
HJ1008HWPL1LG	10.00 x 8.00 x 4.59	1	—	5.43	5.12	10.75	6.02	11.52	3.66	1.65	11.31	8.25	6.24	9.31	A10P8	A10P8AL	8.75 x 6.88	
	254 x 203 x 117	—	—	138	130	276	153	293	93	42	287	210	158	236			222 x 102	
HJ1210HWPL2LG	12.00 x 10.00 x 4.74	2	—	5.58	5.25	12.75	8.01	13.51	3.81	1.65	13.30	10.25	8.25	11.29	A12P10	A12P10AL	10.75 x 8.88	
	305 x 254 x 120	—	—	142	133	324	203	343	97	42	338	260	210	287			273 x 226	
HJ1412HWPL2LG	14.00 x 12.00 x 5.74	2	—	6.70	6.38	14.75	10.00	15.50	4.93	1.65	15.32	12.25	10.24	13.30	A14P12	A14P12AL	12.75 x 10.88	
	356 x 305 x 146	—	—	170	162	375	254	394	125	42	389	311	260	338			324 x 276	
HJ1614HWPL2LG	16.00 x 14.00 x 5.74	2	—	6.70	6.38	16.73	12.00	17.52	4.93	1.65	17.31	14.25	12.24	15.30	A16P14	A16P14AL	14.75 x 12.88	
	406 x 356 x 146	—	—	170	162	425	305	445	125	42	440	362	311	389			375 x 327	
HJ1816HWPL2LG	18.00 x 16.00 x 8.62	2	—	9.58	9.25	18.74	12.00	19.50	7.81	1.65	19.31	16.25	14.25	17.31	A18P16	A18P16AL	16.75 x 14.88	
	457 x 406 x 219	—	—	243	235	476	305	495	198	42	490	413	362	440			425 x 378	
HJB606HWPL1LG	6.00 x 6.00 x 4.10	1	4.00 x 4.00	4.96	4.64	6.77	4.01	7.52	4.34	0.50	7.31	4.25	4.25	7.31	A6P6	A6P6AL	4.88 x 4.88	
	152 x 152 x 104	—	102 x 102	126	118	172	102	191	110	13	186	108	108	186			124 x 124	
HJB806HWPL1LG	8.00 x 6.00 x 4.10	1	6.00 x 4.00	4.96	4.64	8.74	4.01	9.50	3.19	1.65	9.30	6.26	4.25	7.31	A8P6	A8P6AL	6.75 x 1.88	
	203 x 152 x 104	—	152 x 102	126	118	222	102	241	81	42	276	159	108	186			171 x 124	
HJB1008HWPL1LG	10.00 x 8.00 x 4.59	1	8.00 x 6.00	5.43	5.12	10.75	6.02	11.52	3.66	1.65	11.31	8.25	6.24	9.31	A10P8	A10P8AL	8.75 x 6.88	
	254 x 203 x 117	—	203 x 152	138	130	273	153	293	93	42	287	210	158	236			222 x 102	
HJB1210HWPL2LG	12.00 x 10.00 x 4.74	2	10.00 x 8.00	5.58	5.24	12.75	8.01	13.52	3.81	1.65	13.30	10.25	8.25	11.29	A12P10	A12P10AL	10.78 x 8.88	
	305 x 254 x 120	—	254 x 203	142	133	324	203	343	97	42	338	260	210	287			273 x 226	
HJB1412HWPL2LG	14.00 x 12.00 x 5.74	2	12.00 x 10.00	6.70	6.38	14.75	10.00	15.50	4.93	1.65	15.32	12.25	10.24	13.30	A14P12	A14P12AL	12.75 x 10.88	
	356 x 305 x 146	—	305 x 254	170	162	375	254	394	125	42	389	311	260	229			324 x 276	
HJB1614HWPL2LG	16.00 x 14.00 x 5.74	2	14.00 x 12.00	6.70	6.38	16.73	12.00	17.52	4.93	1.65	17.31	14.25	12.24	15.30	A16P14	A16P14AL	14.75 x 12.88	
	406 x 356 x 146	—	356 x 305	170	162	425	305	445	125	42	440	362	311	389			375 x 327	
HJB1816HWPL2LG	18.00 x 16.00 x 8.62	2	16.00 x 14.00	9.58	9.25	18.74	12.00	19.50	7.81	1.65	19.31	16.25	14.25	17.31	A18P16	A18P16AL	16.75 x 14.88	
	457 x 406 x 219	—	406 x 356	243	235	476	305	495	198	42	490	413	362	440			425 x 378	

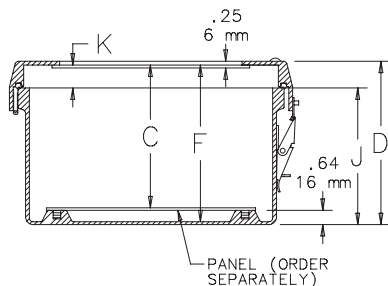
A x B x C are internal dimensions.

Purchase panels separately. Optional stainless steel, composite and aluminum panels are available for most sizes.

Flat Cover Window Enclosures



Top View with Door/Cover Removed



SECTION X-X

Overlapping Cover

Flat Clear Cover with Latches, Type 4X



Specifications

- Compression-molded fiberglass construction
- Clear polycarbonate viewing area
- Cover fastens with padlockable Type 316 stainless steel latches
- Type 304 stainless steel piano hinges
- Integral mounting brackets
- Enclosures protect equipment and operators from indirect electrical contact

Finish

Fiberglass material is RAL 7035 light-gray inside and out. Optional steel panels are painted white. Optional stainless steel, aluminum, conductive and composite panels are unpainted

Accessories

See also *Accessories*.

H2OMIT® Vent Drains, Type 4X

HOL-SEALERS™ Non-Metallic Hole Seals

Panels for Junction Boxes

Swing-Out Panel Kit

Terminal Block Kit Assembly for Junction Boxes Overview

Modification and Customization

Hoffman excels at modifying and customizing products to your specifications. Contact your local Hoffman sales office or distributor for complete information.

Bulletin: HJ

Industry Standards

UL 508A Listed; Type 3, 3R, 4, 4X, 12, 13; File No. E54315
 cUL Listed per CSA C22.2 No 94; Type 3, 3R, 4, 4X, 12, 13; File No. E54315
 Enclosure flammability per UL 508A

NEMA/EEMAC Type 3, 3R, 4, 4X, 12, 13

CSA File No. 217184: Type 3, 3R, 4, 4X, 12, 13

IEC 60529, IP66

Meets NEMA Type 3RX requirements

Application

Enclosures feature a flat, overlapping clear cover design that ensures a more-secure seal and provides a larger viewing area than a traditional window. Latches provide easy access and security.

Standard Product

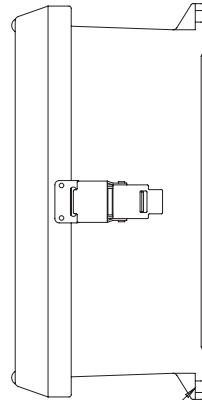
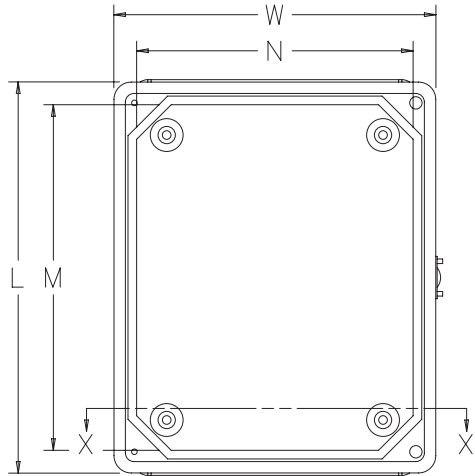
Catalog Number	Ax B x C in./mm	No. of Latches	Window Size													Steel Panel	Aluminum Panel	Panel Size in./mm
			N x M in./mm	D in./mm	F in./mm	G in./mm	H in./mm	I in./mm	J in./mm	K in./mm	L in./mm	P in./mm	Q in./mm	W in./mm				
CHJ606HWPL1LG	6.00 x 6.00 x 4.10	1	6.00 x 6.00	4.96	4.64	6.77	4.01	7.52	4.34	0.50	7.31	4.26	4.25	7.31	A6P6	A6P6AL	4.88 x 4.88	
	152 x 152 x 104		152 x 152	126	118	172	102	191	110	13	186	108	108	186			124 x 124	
CHJ806HWPL1LG	8.00 x 6.00 x 4.10	1	8.00 x 6.00	4.96	4.64	8.74	4.01	9.50	4.34	1.65	9.30	6.26	4.25	7.31	A8P6	A8P6AL	6.75 x 4.88	
	203 x 152 x 104		203 x 152	126	118	222	102	241	110	42	276	159	108	186			171 x 124	
CHJ1008HWPL1LG	10.00 x 8.00 x 4.59	1	10.00 x 8.00	5.43	5.12	10.75	6.02	11.52	3.66	1.65	11.31	8.25	6.24	9.31	A10P8	A10P8AL	8.75 x 6.88	
	254 x 203 x 117		254 x 203	138	130	273	153	293	93	42	287	210	158	236			222 x 102	
CHJ1210HWPL2LG	12.00 x 10.00 x 4.74	2	12.00 x 10.00	5.58	5.24	12.75	8.01	13.51	3.81	1.65	13.30	10.25	8.25	11.29	A12P10	A12P10AL	10.75 x 8.88	
	305 x 254 x 120		305 x 254	142	133	324	203	343	97	42	338	260	210	287			273 x 226	
CHJ1412HWPL2LG	14.00 x 12.00 x 5.74	2	14.00 x 12.00	6.70	6.38	14.75	10.00	15.50	4.93	1.65	15.32	12.25	10.24	13.30	A14P12	A14P12AL	12.75 x 10.88	
	356 x 305 x 146		356 x 305	170	162	375	254	394	125	42	389	311	260	338			324 x 276	
CHJ1614HWPL2LG	16.00 x 14.00 x 5.74	2	16.00 x 14.00	6.70	6.38	16.73	12.00	17.52	4.93	1.65	17.31	14.25	12.24	15.30	A16P14	A16P14AL	14.75 x 12.88	
	406 x 356 x 146		406 x 356	170	162	425	305	445	125	42	440	362	311	389			375 x 327	
CHJ1816HWPL2LG	18.00 x 16.00 x 8.62	2	18.00 x 16.00	9.58	9.25	18.74	12.00	19.50	7.81	1.65	19.31	16.25	14.25	17.31	A18P16	A18P16AL	16.75 x 14.88	
	457 x 406 x 219		457 x 406	243	235	476	305	495	198	42	490	413	362	440			425 x 378	

A x B x C are internal dimensions.

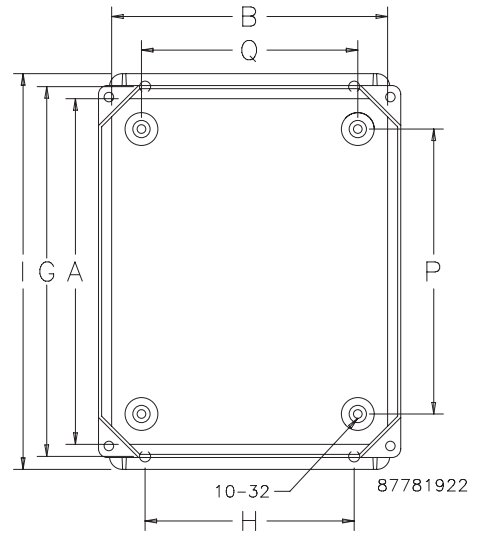
Purchase panels separately. Optional stainless steel, composite and aluminum panels are available for most sizes.

Overlapping Cover

Flat Clear Cover Window Enclosures

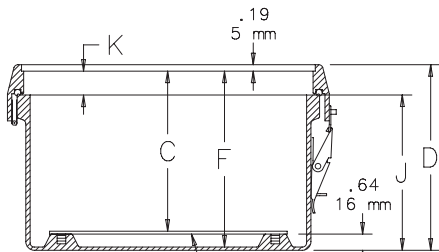


∅.32 (4X)
8 mm



87781922

Top View with Door/Cover Removed



PANEL (ORDER SEPARATELY)

SECTION X-X

ULTRX®
ULTRX®, Type 4X

Industry Standards

Mounting brackets required to meet UL/CSA external mounting requirements.

UL 508A Listed; Type 3, 3R, 4, 4X, 12, 13; File No. E61997
 cUL Listed per CSA C22.2 No 94; Type 3, 3R, 4, 4X, 12, 13; File No. E619977
 Enclosure flammability evaluated per UL 508A
 Window flammability evaluated per UL 508A

NEMA/EEMAC Type 3, 3R, 4, 4X, 12, 13
 CSA File No. 42186: Type 3, 3R, 4, 4X, 12, 13
 IEC 60529, IP66
 Meets NEMA Type 3RX requirements

Application

Providing outstanding protection against corrosion and the elements, the clean lines and molded, embossed design of ULTRX® fiberglass enclosures make them the most stylish and aesthetically pleasing of their class. These enclosures feature hidden hinges, a padlocking capability for security, and flexible internal mounting options.

Specifications

- Compression-molded fiberglass material has excellent temperature and chemical resistance qualities and exhibits outstanding physical properties, including high-impact resistance
- Fiberglass is easily punched, drilled, filed or sawed
- Seamless foam-in-place gasket assures water-tight and dust-tight seal
- Enclosure may be rotated 180 degrees for left and right hinging
- Molded-in drip shields are standard with each enclosure
- Impact-resistant polycarbonate window is permanently bonded in place
- Fiberglass mounting brackets and stainless steel attachment screws are provided with each enclosure
- Unique hinge design allows for standard 180 degree door opening with a maximum opening of 270 degrees
- Door hinges are replaceable
- Type 316 stainless steel quarter-turn latch. Optional keylocking or padlocking handle available.
- Molded-in DIN bosses
- Molded bosses on door provide additional mounting provisions
- Integral mounting rails provide infinite panel adjustment front to back
- Optional data pocket is high-impact thermoplastic

Finish

Exterior surface painted light-gray acrylic enamel for enhanced UV protection. Optional steel panels are painted white. Optional stainless steel, aluminum, conductive and composite panels are unpainted.

Accessories

See also Accessories.
 H2OMIT® Vent Drains, Type 4X
 H2OMIT® Thermoelectric Dehumidifier
 HOL-SEALERS™ Non-Metallic Hole Seals
 Panels for Type 3R, 4, 4X, 12 and 13 Enclosures
 Rack Angles (Type RA)

Modification and Customization

Hoffman excels at modifying and customizing products to your specifications. Contact your local Hoffman sales office or distributor for complete information.

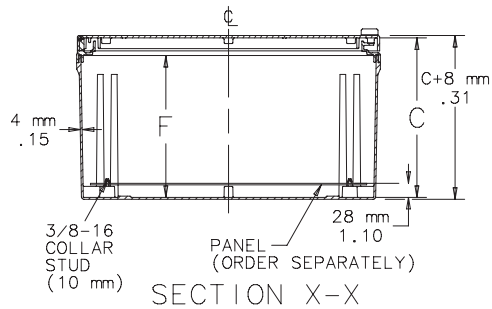
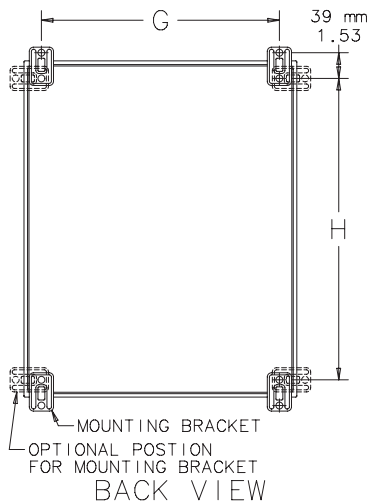
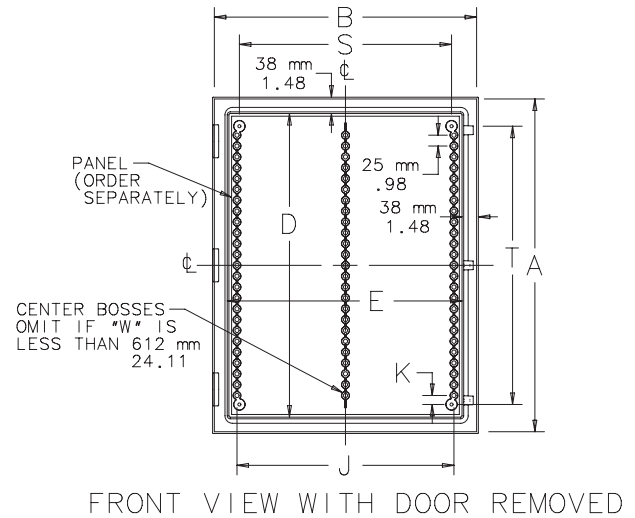
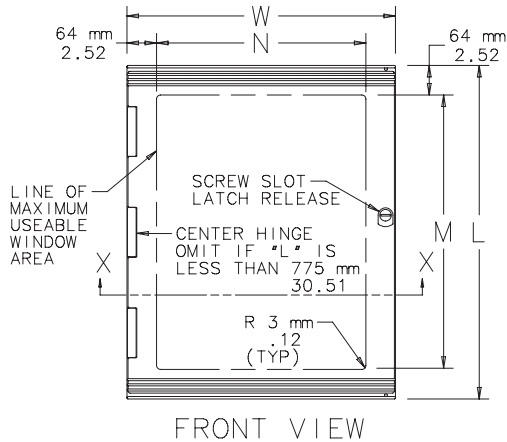
Bulletin: UX1

Standard Product

Catalog Number	Door Style	External Dimensions		Internal Dimensions		Panel	Conductive Panel	Panel Size		Mounting		Window Size				
		L x W mm/in.	mm/in.	A x B x C mm/in.	mm/in.			D x E mm/in.	G x H mm/in.	M x N mm/in.	F mm/in.	J mm/in.	K mm/in.	S mm/in.	T mm/in.	
UU504020	Solid	513 x 413	—	496 x 396 x 220	—	A20P16	A20P16G	432 x 330	359 x 459	—	186	297	19	286	387	
		20.20 x 16.26	—	19.53 x 15.59 x 8.66	—	—	—	17.00 x 12.99	14.13 x 18.07	—	7.32	11.69	0.75	11.26	15.24	
UU504020W	Window	513 x 413	—	496 x 396 x 220	—	A20P16	A20P16G	439 x 330	359 x 459	386 x 286	186	297	19	286	387	
		20.20 x 16.26	—	19.53 x 15.59 x 8.66	—	—	—	17.00 x 12.99	14.13 x 18.07	15.20 x 11.26	7.32	11.69	0.75	11.26	15.24	
UU606020	Solid	625 x 612	—	608 x 595 x 220	—	A24P24	A24P24G	533 x 533	559 x 572	—	186	500	21	489	489	
		24.61 x 24.09	—	23.94 x 23.43 x 8.66	—	—	—	20.98 x 20.98	22.01 x 22.52	—	7.32	19.68	0.83	19.25	19.25	
UU606020W	Window	625 x 612	—	608 x 595 x 220	—	A24P24	A24P24G	533 x 533	559 x 572	498 x 486	186	500	21	489	489	
		24.61 x 24.09	—	23.94 x 23.43 x 8.66	—	—	—	20.98 x 20.98	22.01 x 22.52	19.61 x 19.13	7.32	19.68	0.83	19.25	19.25	
UU605025	Solid	625 x 513	—	608 x 496 x 270	—	A24P20	A24P20G	533 x 432	457 x 570	—	239	400	21	387	489	
		24.61 x 20.20	—	23.94 x 19.53 x 10.63	—	—	—	20.98 x 17.00	17.99 x 22.44	—	9.41	15.75	0.83	15.24	19.25	
UU605025W	Window	625 x 513	—	608 x 496 x 270	—	A24P20	A24P20G	533 x 432	457 x 570	498 x 386	239	400	21	387	489	
		24.61 x 20.20	—	23.94 x 19.53 x 10.63	—	—	—	20.98 x 17.00	17.99 x 22.44	19.61 x 15.20	9.41	15.75	0.83	15.24	19.25	
UU504030	Solid	513 x 412	—	496 x 395 x 321	—	A20P16	A20P16G	432 x 330	355 x 455	—	287	300	19	286	387	
		20.20 x 16.22	—	19.53 x 15.55 x 12.64	—	—	—	17.00 x 12.99	13.98 x 17.91	—	11.30	11.81	0.75	11.26	15.24	
UU504030W	Window	513 x 412	—	496 x 395 x 321	—	A20P16	A20P16G	432 x 330	355 x 455	386 x 286	287	300	19	286	387	
		20.20 x 16.22	—	19.53 x 15.55 x 12.64	—	—	—	17.00 x 12.99	13.98 x 17.91	15.20 x 11.26	11.30	11.81	0.75	11.26	15.24	
UU606030	Solid	625 x 612	—	608 x 595 x 321	—	A24P24	A24P24G	533 x 533	555 x 568	—	287	500	21	489	489	
		24.61 x 24.09	—	23.94 x 23.43 x 12.64	—	—	—	20.98 x 20.98	21.85 x 22.36	—	11.30	19.68	0.83	19.25	19.25	
UU606030W	Window	625 x 612	—	608 x 595 x 321	—	A24P24	A24P24G	533 x 533	555 x 568	498 x 486	287	500	21	489	489	
		24.61 x 24.09	—	23.94 x 23.43 x 12.64	—	—	—	20.98 x 20.98	21.85 x 22.36	19.61 x 19.13	11.30	19.68	0.83	19.25	19.25	
UU756030	Solid	775 x 612	—	758 x 595 x 321	—	A30P24	A30P24G	686 x 533	555 x 718	—	287	500	21	489	641	
		30.51 x 24.09	—	29.84 x 23.43 x 12.64	—	—	—	27.01 x 20.98	21.85 x 28.27	—	11.30	19.68	0.83	19.25	25.24	

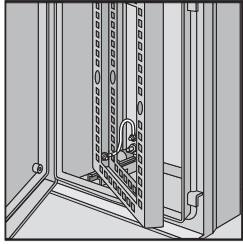
Catalog Number	Door Style	Dimensions		Panel	Conductive Panel	Panel Size D x E mm/in.	Mounting G x H mm/in.	Window Size					
		L x W mm/in.	A x B x C mm/in.					M x N mm/in.	F mm/in.	J mm/in.	K mm/in.	S mm/in.	T mm/in.
UU756030W	Window	775 x 612	758 x 595 x 321	A30P24	A30P24G	686 x 533	555 x 718	648 x 486	287	500	21	489	641
		30.51 x 24.09	29.84 x 23.43 x 12.64										
UU1008030	Solid	1025 x 825	1008 x 808 x 321	A40P30	A40P30G	940 x 737	768 x 968	—	287	700	23	692	895
		40.35 x 32.48	39.68 x 31.81 x 12.64										
UU1008030W	Window	1025 x 825	1008 x 808 x 321	A40P30	A40P30G	940 x 737	768 x 968	898 x 698	287	700	23	692	895
		40.35 x 32.48	39.68 x 31.81 x 12.64										
UU606040	Solid	625 x 612	608 x 595 x 421	A24P24	A24P24G	533 x 533	555 x 568	—	387	500	21	489	489
		24.61 x 24.09	23.94 x 23.43 x 16.57										
UU606040W	Window	625 x 612	608 x 595 x 421	A24P24	A24P24G	533 x 533	555 x 568	498 x 486	387	500	21	489	489
		24.61 x 24.09	23.94 x 23.43 x 16.57										
UU756040	Solid	775 x 612	758 x 595 x 421	A30P24	A30P24G	686 x 533	555 x 718	—	387	500	21	489	641
		30.51 x 24.09	29.84 x 23.43 x 16.57										
UU756040W	Window	775 x 612	758 x 595 x 421	A30P24	A30P24G	686 x 533	555 x 718	648 x 486	387	500	21	489	641
		30.51 x 24.09	29.84 x 23.43 x 16.57										

Purchase panels separately.



C2553-C

Grounding Device



Grounding Device provides a means to attach a grounding conductor to an ULTRX Swing-Out Panel or Swing-Out Frame. Includes all installation hardware and instructions.

Bulletin: UX1Y

Catalog Number	Description
UUGK	ULTRX Grounding Device

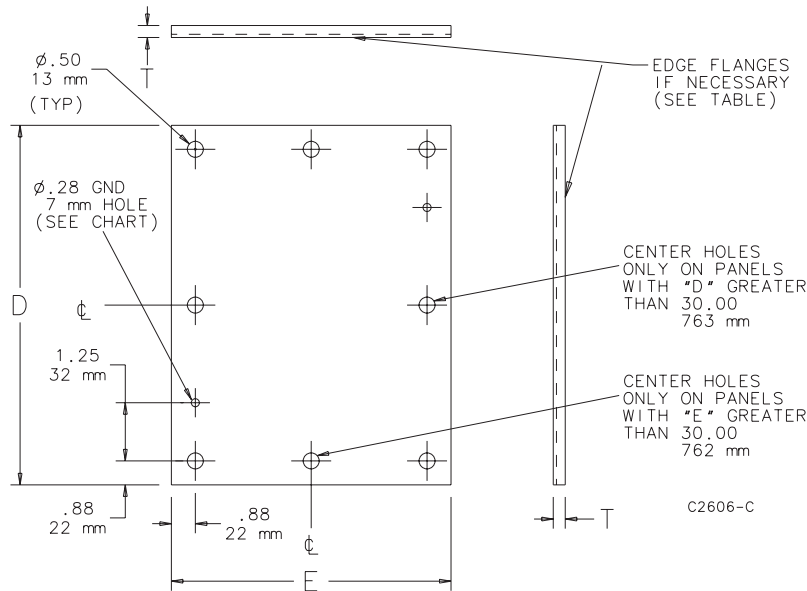
Panels for Type 3R, 4, 4X, 12 and 13 Enclosures

Steel panels are 12 gauge with a white finish. Panel mounting hardware is furnished with all enclosures which accept these panels.

Bulletin: DWS12, PNLWM

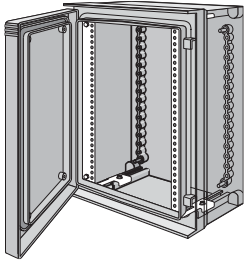
Catalog Number	Panel Gauge	Flange		Panel Size D x E (in.)	Panel Size D x E (mm)	Number of Holes	Edge Flanges
		Thickness T (in.)	Thickness T (mm)				
A20P16	12	—	—	17.00 x 13.00	432 x 330	4	None
A24P20	—	0.75	19	21.00 x 17.00	533 x 432	4	2
A24P24	—	0.75	19	21.00 x 21.00	533 x 533	4	2
A24P24WD	—	0.75	19	21.00 x 21.00	533 x 533	4	—
A30P24	—	0.75	19	27.00 x 21.00	686 x 533	4	2
A40P30	—	0.75	19	37.00 x 29.00	940 x 737	4	4

Catalog number with "WD" is wood.



ULTRX®

Rack Angles (Type RA)

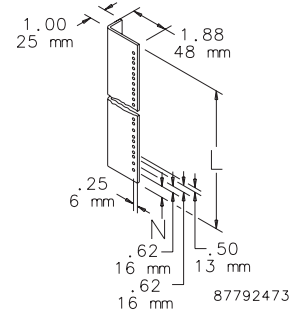


Pairs of full-length rack-mounting angles are available for mounting 1-in. (483-mm) rack-mounted equipment. Type RA angles are 14 gauge steel with .281-in. (7-mm) diameter mounting holes, spaced per EIA standard RS-310-D (universal spacing). Use Clip Nut Package (AN1032) to provide tapped holes at desired locations. Angles and mounting hardware are plated steel. Mounting hardware is furnished.

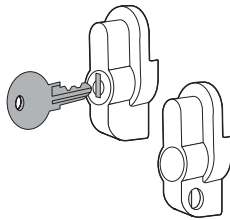
Bulletin: UX1Y

Catalog Number	Fits A x B		Rack Units	Pkg. Qty.
	mm/in.	L mm/in.		
UURA6060	610 x 610	552	10	12
	24.00 x 24.00	21.75	.38	
UURA7560	762 x 610	705	19	15
	30.00 x 24.00	27.75	.75	

Use UURA6060 with DATACOM ULTRX Fiberglass Type 4X WiFi Cabinet.

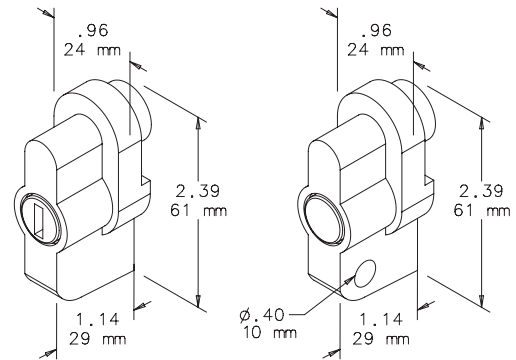


Keylock Kit and Padlock Kit



Keylock Kit or pushbutton-style Padlock Kit is easily inserted in latch hole to prevent unauthorized personnel from gaining access to enclosure contents. Each kit is fully assembled for easy installation in the field. Type 316 stainless steel construction.

Bulletin: UX1Y



Keylock Kit

Padlock Kit

87792346

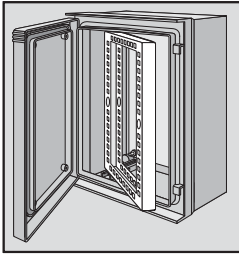
Catalog Number	Description
UUHKL	Keylock Kit
UUHPL	Padlock Kit

UUHKL: Internal key components are not stainless steel.

UUHPL: Handles maintain UL 508A, Type 3, 4, 4X and 12 when properly installed on a Hoffman enclosure. Set up for 1/4-in. or 3/8-in. padlock.

ULTRX®

Swing Frame

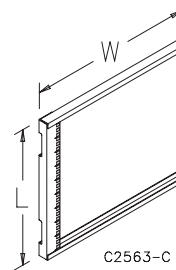


Swing Frame provides 19-in. rack-mounting capabilities with U-Style (Type RA) mounting hole pattern. Quarter-turn latch has 100-degree swing. Adjustable mounting provision. 14 gauge plated steel. Includes mounting hardware. Swing frame maintains enclosure rating if properly installed in a Hoffman enclosure. *Swing Frame will not slide all the way forward in 400-mm-deep enclosures. Consult factory for more information.*

Bulletin: UX1Y

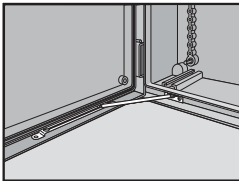
Catalog Number	Fits A x B mm/in.	L mm/in.	W mm/in.	Rack Units
UU6060SF	610 x 610	540	535	11
	24.00 x 24.00	21.25	21.08	
UU7560SF	762 x 610	687	535	14
	30.00 x 24.00	27.05	21.08	

Use UU6060SF with DATACOM ULTRX Fiberglass Type 4X WiFi Cabinet.



C2563-C

Door Stop Kit



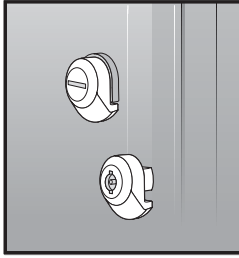
Door Stop Kit limits door to 120-degree opening. Field installable on all sizes of ULTRX enclosures. Type 304 stainless steel construction.

Bulletin: UX1Y

Catalog Number	Description
UU5	Door Stop Kit

ULTRX®

ULTRX® Key Insert

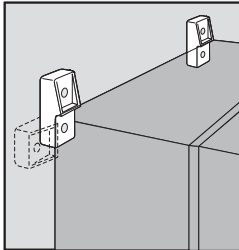


Inserts can be substituted for the standard quarter-turn latch. Inserts are Type 316 stainless steel.

Bulletin: UX1Y

Catalog Number	Insert Type
UUL3DB	Double-bit 3 mm
UULSC	Screw driver slot

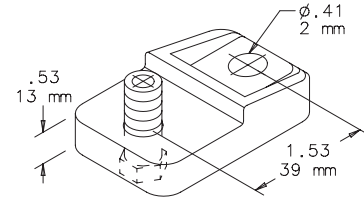
ULTRX® Mounting Bracket Kit



Kit is field-installable. Corrosion-resistant fiberglass material. Type 316 stainless steel mounting hardware is included. Four mounting brackets per kit.

Bulletin: UX1Y

Catalog Number	Description	Kit Qty.
UUMF	Mounting Bracket Kit	4



11C59177

Hinge-Cover with 3-Point Latch or Quick-Release Latches

Hinge-Cover with 3-Point Latch or Quick-Release Latches, Type 4X

**Industry Standards**

UL 508A Listed; Type 3, 3R, 4, 4X, 12, 13; File No. E61997 cUL Listed per CSA C22.2 No 94; Type 3, 3R, 4, 4X, 12, 13; File No. E61997 Enclosure flammability evaluated per UL 508A
--

NEMA/EEMAC Type 3, 3R, 4, 4X, 12, 13
 IEC 60529, IP66
 Meets NEMA Type 3RX requirements

Application

A full range of modification options are available for wall-mount fiberglass enclosures, including variable depths to accommodate larger controls. These enclosures feature stainless steel padlocking hasps or Hoffman's exclusive POWERGLIDE® Handle with 3-point latching for ease of access with increased security.

Specifications

- Fiberglass-reinforced material has excellent temperature and chemical resistance qualities and exhibits outstanding physical properties
- Type 316L stainless steel padlocking POWERGLIDE Handle on 3-point latch versions assures security and a water-tight seal while still allowing convenient access
- Quick-release latch versions feature fiberglass-reinforced polyester latches with integral Type 316L stainless steel padlocking hasp
- Seams are sealed; no holes or knockouts

- Seamless foam-in-place gasket assures water-tight and dust-tight seal
- Fiberglass material is easily punched, drilled, filed or sawed
- Data pocket is high-impact thermoplastic
- Copper-flashed steel collar studs for mounting optional panels and terminal block kits

Finish

Fiberglass enclosure is gray inside and out. Handle is Type 316L stainless steel electropolished. Optional steel panels are painted white. Optional stainless steel, aluminum and composite panels available in select sizes.

Accessories

See also Accessories
 H2OMIT® Thermoelectric Dehumidifier
 H2OMIT® Vent Drains, Type 4X
 HOL-SEALERS™ Non-Metallic Hole Seals
 Panels
 Stainless Steel Window Kits
 Terminal Block Kit Assembly
 Thermal Accessories

Modification and Customization

Hoffman excels at modifying and customizing products to your specifications. Contact your local Hoffman sales office or distributor for complete information.

Bulletin: A17W3, A17WM

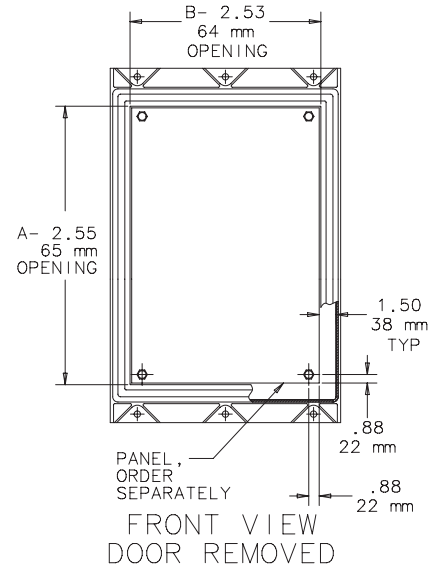
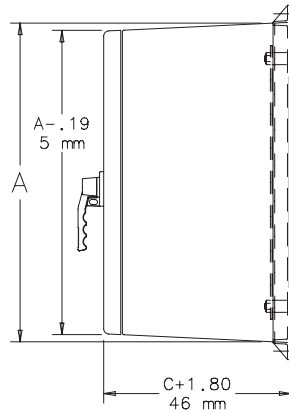
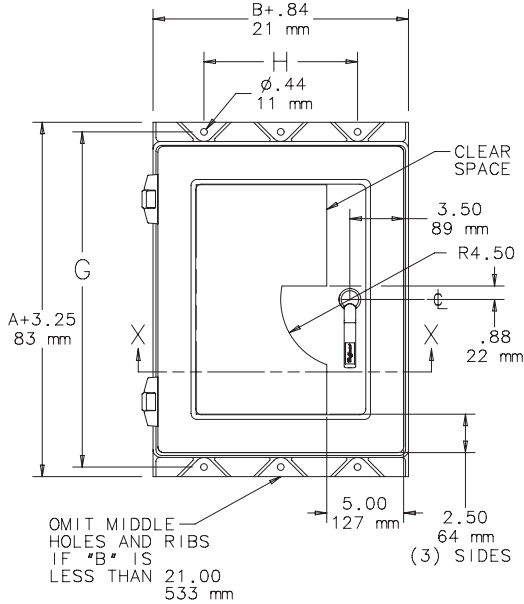
Hinge-Cover with 3-Point Latch or Quick-Release Latches

Standard Product 3-Point Latch

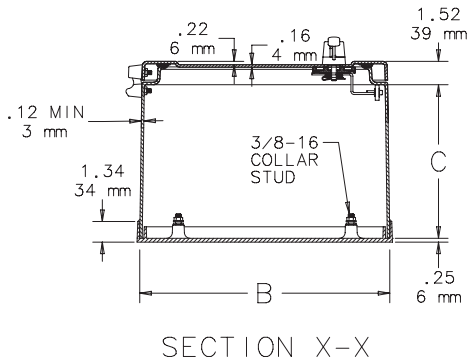
Catalog Number	AxBxC in.	AxBxC mm	Panel	Conductive Panel	Panel Size Height (in.)	Panel Size Height (mm)	G x H (in.)	G x H (mm)
A24H2006GQRLP3PT	24.25 x 20.25 x 6.00	616 x 514 x 203	A24P20	A24P20G	21.00 x 17.00	533 x 432	25.86 x 14.00	657 x 356
A20H2008GQRLP3PT	20.19 x 20.25 x 8.00	513 x 514 x 203	A20P20	A20P20G	17.00 x 17.00	432 x 432	21.81 x 14.00	554 x 356
A24H2008GQRLP3PT	24.25 x 20.25 x 8.00	616 x 514 x 203	A24P20	A24P20G	21.00 x 17.00	533 x 432	25.86 x 14.00	657 x 356
A24H2408GQRLP3PT	24.19 x 24.19 x 8.00	614 x 614 x 203	A24P24	A24P24	21.00 x 21.00	533 x 533	25.81 x 18.00	656 x 457
A30H2408GQRLP3PT	30.25 x 24.25 x 8.00	768 x 616 x 203	A30P24	A30P24G	27.00 x 21.00	686 x 533	31.95 x 18.00	812 x 457
A36H3008GQRLP3PT	36.25 x 30.25 x 8.00	921 x 768 x 203	A36P30	A36P30G	33.00 x 27.00	838 x 686	37.58 x 24.00	955 x 610
A24H2010GQRLP3PT	24.25 x 20.25 x 10.00	616 x 514 x 254	A24P20	A24P20G	21.00 x 17.00	533 x 432	25.86 x 14.00	657 x 356
A30H2410GQRLP3PT	30.25 x 24.25 x 10.00	768 x 616 x 254	A30P24	A30P24G	27.00 x 21.00	686 x 533	31.95 x 18.00	812 x 457
A24H2412GQRLP3PT	24.19 x 24.19 x 12.00	614 x 614 x 305	A24P24	A24P24G	21.00 x 21.00	533 x 533	25.81 x 18.00	656 x 457
A30H2412GQRLP3PT	30.25 x 24.25 x 12.00	768 x 616 x 305	A30P24	A30P24G	27.00 x 21.00	686 x 533	31.95 x 18.00	812 x 457
A36H3012GQRLP3PT	36.25 x 30.25 x 12.00	921 x 768 x 305	A36P30	A36P30G	33.00 x 27.00	838 x 686	37.58 x 24.00	955 x 610

Purchase panels separately. Optional stainless steel, composite and aluminum panels available for most sizes. See General Accessories.

Hinged with 3-Point Latch Enclosures



87786694



Hinge-Cover with 3-Point Latch or Quick-Release Latches

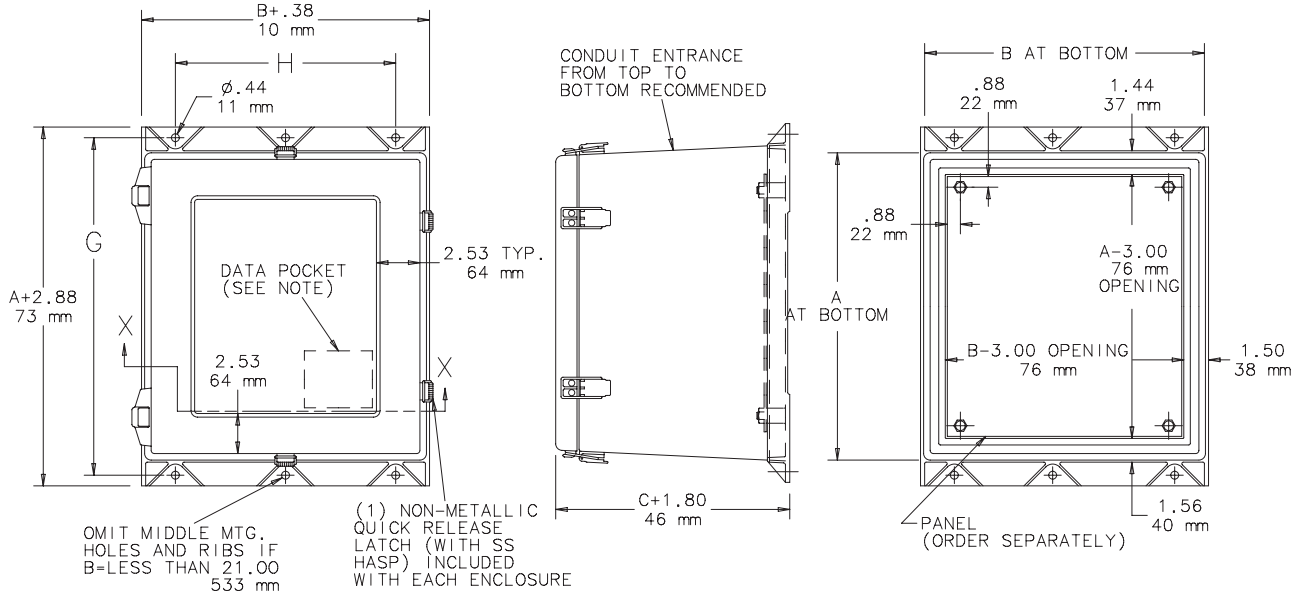
Standard Product Quick-Release Latch

Catalog Number	AxBxC in.	AxBxC mm	Panel	Cond. Panel	Panel Size (in.)	Panel Size (mm)	Mtg G x H (in.)	Mtg G x H (mm)	No. of Latches	Add'l "C" Dim's (in.)	Add'l "C" Dim's (mm)	Add'l "C" Dim's (in.)	Add'l "C" Dim's (mm)	Add'l "C" Dim's (in.)	Add'l "C" Dim's (mm)
A20H1606GQRLP	20.19 x 16.25 x 6.00	513 x 413 x 152	A20P16	A20P16G	17.00 x 13.00	432 x 330	21.81 x 10.00	554 x 254	4	—	—	—	—	—	—
A20H2006GQRLP	20.19 x 20.25 x 6.00	513 x 514 x 152	A20P20	A20P20G	17.00 x 17.00	432 x 432	21.81 x 14.00	554 x 356	4	—	—	—	—	—	—
A24H2006GQRLP	24.25 x 20.25 x 6.00	616 x 514 x 152	A24P20	A24P20G	21.00 x 17.00	533 x 432	25.86 x 14.00	657 x 356	4	—	—	—	—	—	—
A30H2406GQRLP	30.25 x 24.25 x 6.00	768 x 616 x 152	A30P24	A30P24G	27.00 x 21.00	686 x 533	31.95 x 18.00	812 x 457	5	—	—	—	—	—	—
A20H1608GQRLP	20.19 x 16.25 x 8.00	513 x 413 x 203	A20P16	A20P16G	17.00 x 13.00	432 x 330	21.81 x 10.00	554 x 254	4	—	—	—	—	—	—
A20H2008GQRLP	20.19 x 20.25 x 8.00	513 x 514 x 203	A20P20	A20P20G	17.00 x 17.00	432 x 432	21.81 x 14.00	554 x 356	4	—	—	—	—	—	—
A24H2008GQRLP	24.25 x 20.25 x 8.00	616 x 514 x 203	A24P20	A24P20G	21.00 x 17.00	533 x 432	25.86 x 14.00	657 x 356	4	—	—	—	—	—	—
A24H2408GQRLP	24.19 x 24.19 x 8.00	614 x 614 x 203	A24P24	A24P24G	21.00 x 21.00	533 x 533	25.81 x 18.00	656 x 457	4	—	—	—	—	—	—
A30H2408GQRLP	30.25 x 24.25 x 8.00	768 x 616 x 203	A30P24	A30P24G	27.00 x 21.00	686 x 533	31.95 x 18.00	812 x 457	5	—	—	—	—	—	—
A36H3008GQRLP	36.25 x 30.25 x 8.00	921 x 768 x 203	A36P30	A36P30G	33.00 x 27.00	838 x 686	37.58 x 24.00	955 x 610	5	—	—	—	—	—	—
A20H1610GQRLP	20.19 x 16.25 x 10.00	513 x 413 x 254	A20P16	A20P16G	17.00 x 13.00	432 x 330	21.81 x 10.00	554 x 254	4	—	—	—	—	—	—
A20H2010GQRLP	20.19 x 20.25 x 10.00	513 x 514 x 254	A20P20	A20P20G	17.00 x 17.00	432 x 432	21.81 x 14.00	554 x 356	4	—	—	—	—	—	—
A24H2010GQRLP	24.25 x 20.25 x 10.00	616 x 514 x 254	A24P20	A24P20G	21.00 x 17.00	533 x 432	25.86 x 14.00	657 x 356	4	—	—	—	—	—	—
A30H2410GQRLP	30.25 x 24.25 x 10.00	768 x 616 x 254	A30P24	A30P24G	27.00 x 21.00	686 x 533	31.95 x 18.00	812 x 457	5	—	—	—	—	—	—
A20H1612GQRLP	20.19 x 16.25 x 12.00	513 x 413 x 305	A20P16	A20P16G	17.00 x 13.00	432 x 330	21.81 x 10.00	554 x 254	4	—	—	—	—	—	—
A20H2012GQRLP	20.19 x 20.25 x 12.00	513 x 514 x 305	A20P20	A20P20G	17.00 x 17.00	432 x 432	21.81 x 14.00	554 x 356	4	—	—	—	—	—	—
A24H2012GQRLP	24.25 x 20.25 x 12.00	616 x 514 x 305	A24P20	A24P20G	21.00 x 17.00	533 x 432	25.86 x 14.00	657 x 356	4	11.00	279	—	—	—	—
A24H2412GQRLP	24.19 x 24.19 x 12.00	614 x 614 x 305	A24P24	A24P24G	21.00 x 21.00	533 x 533	25.81 x 18.00	656 x 457	4	—	—	—	—	—	—
A30H2412GQRLP	30.25 x 24.25 x 12.00	768 x 616 x 305	A30P24	A30P24G	27.00 x 21.00	686 x 533	31.95 x 18.00	812 x 457	5	—	—	—	—	—	—
A36H3012GQRLP	36.25 x 30.25 x 12.00	921 x 768 x 305	A36P30	A36P30G	33.00 x 27.00	838 x 686	37.58 x 24.00	955 x 610	5	—	—	—	—	—	—
A36H3612GQRLP	36.25 x 36.25 x 12.00	921 x 921 x 305	A36P36	A36P36G	33.00 x 33.00	838 x 838	37.58 x 30.00	955 x 762	7	—	—	—	—	—	—
A48H3612GQRLP	48.25 x 36.25 x 12.00	1226 x 921 x 305	A48P36	A48P36G	45.00 x 33.00	1143 x 838	49.56 x 30.00	1259 x 762	8	—	—	—	—	—	—
A60H3612GQRLP	60.25 x 36.25 x 12.00	1530 x 921 x 305	A60P36	A60P36G	57.00 x 33.00	1448 x 838	61.58 x 30.00	1564 x 762	8	—	—	—	—	—	—
A24H2016GQRLP	24.25 x 20.25 x 16.00	616 x 514 x 406	A24P20	A24P20G	21.00 x 17.00	533 x 432	25.86 x 14.00	657 x 356	4	14.00	356	—	—	—	—
A24H2416GQRLP	24.19 x 24.19 x 16.00	614 x 614 x 406	A24P24	A24P24G	21.00 x 21.00	533 x 533	25.81 x 18.00	656 x 457	4	6.00	152	10.00	254	14.00	356
A30H2416GQRLP	30.25 x 24.25 x 16.00	768 x 616 x 406	A30P24	A30P24G	27.00 x 21.00	686 x 533	31.95 x 18.00	812 x 457	5	—	—	—	—	—	—
A48H3616GQRLP	48.25 x 36.25 x 16.00	1226 x 921 x 406	A48P36	A48P36G	45.00 x 33.00	1143 x 838	49.56 x 30.00	1259 x 762	8	—	—	—	—	—	—
A60H3616GQRLP	60.25 x 36.25 x 16.00	1530 x 921 x 406	A60P36	A60P36G	57.00 x 33.00	1448 x 838	61.65 x 30.00	1566 x 762	8	—	—	—	—	—	—
A20H1620GQRLP	20.19 x 16.25 x 20.00	513 x 413 x 508	A20P16	A20P16G	17.00 x 13.00	432 x 330	21.81 x 10.00	554 x 254	4	14.00	356	16.00	406	18.00	457
A20H2020GQRLP	20.19 x 20.25 x 20.00	513 x 514 x 508	A20P20	A20P20G	17.00 x 17.00	432 x 432	21.81 x 14.00	554 x 356	4	14.00	356	16.00	406	18.00	457
A24H2020GQRLP	24.25 x 20.25 x 20.00	616 x 514 x 508	A24P20	A24P20G	21.00 x 17.00	533 x 432	25.86 x 14.00	657 x 356	4	14.00	356	16.00	406	18.00	457
A24H2420GQRLP	24.19 x 24.19 x 20.00	614 x 614 x 508	A24P24	A24P24G	21.00 x 21.00	533 x 533	25.81 x 18.00	656 x 457	4	18.00	457	—	—	—	—
A30H2420GQRLP	30.25 x 24.25 x 20.00	768 x 616 x 508	A30P24	A30P24G	27.00 x 21.00	686 x 533	31.95 x 18.00	812 x 457	5	14.00	356	16.00	406	18.00	457
A36H3020GQRLP	36.25 x 30.25 x 20.00	921 x 768 x 508	A36P30	A36P30G	33.00 x 27.00	838 x 686	37.72 x 24.00	958 x 610	5	—	—	—	—	—	—
A48H3620GQRLP	48.25 x 36.25 x 20.00	1226 x 921 x 508	A48P36	A48P36G	45.00 x 33.00	1143 x 838	49.72 x 30.00	1263 x 762	8	—	—	—	—	—	—
A24H2024GQRLP	24.25 x 20.25 x 24.00	616 x 514 x 610	A24P20	A24P20G	21.00 x 17.00	533 x 432	25.86 x 14.00	657 x 356	4	22.00	559	—	—	—	—
A24H2424GQRLP	24.19 x 24.19 x 24.00	614 x 614 x 610	A24P24	A24P24G	21.00 x 21.00	533 x 533	25.81 x 18.00	656 x 457	4	22.00	559	—	—	—	—
A30H2424GQRLP	30.25 x 24.25 x 24.00	768 x 616 x 610	A30P24	A30P24G	27.00 x 21.00	686 x 533	31.95 x 18.00	812 x 457	5	22.00	559	—	—	—	—

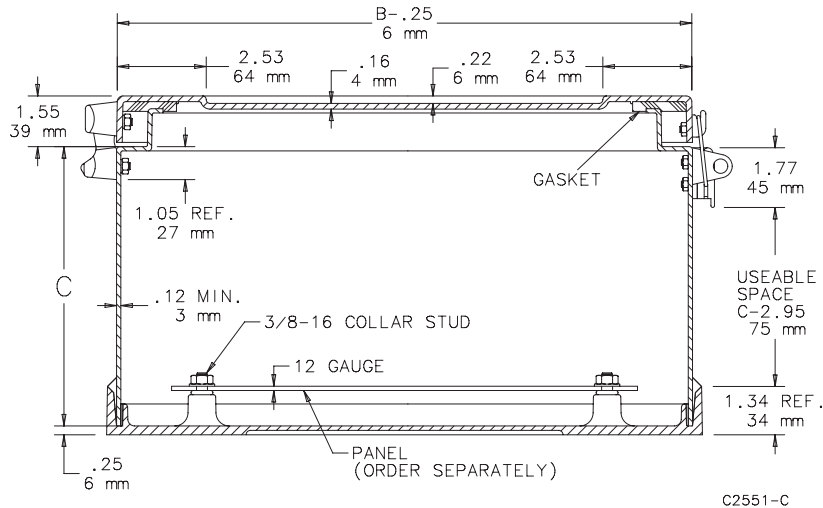
Purchase panels separately. Optional stainless steel, composite and aluminum panels are available for most sizes.

Hinge-Cover with 3-Point Latch or Quick-Release Latches

Hinged with Quick-Release Latch Enclosures 36 X 30 or Smaller Drawing

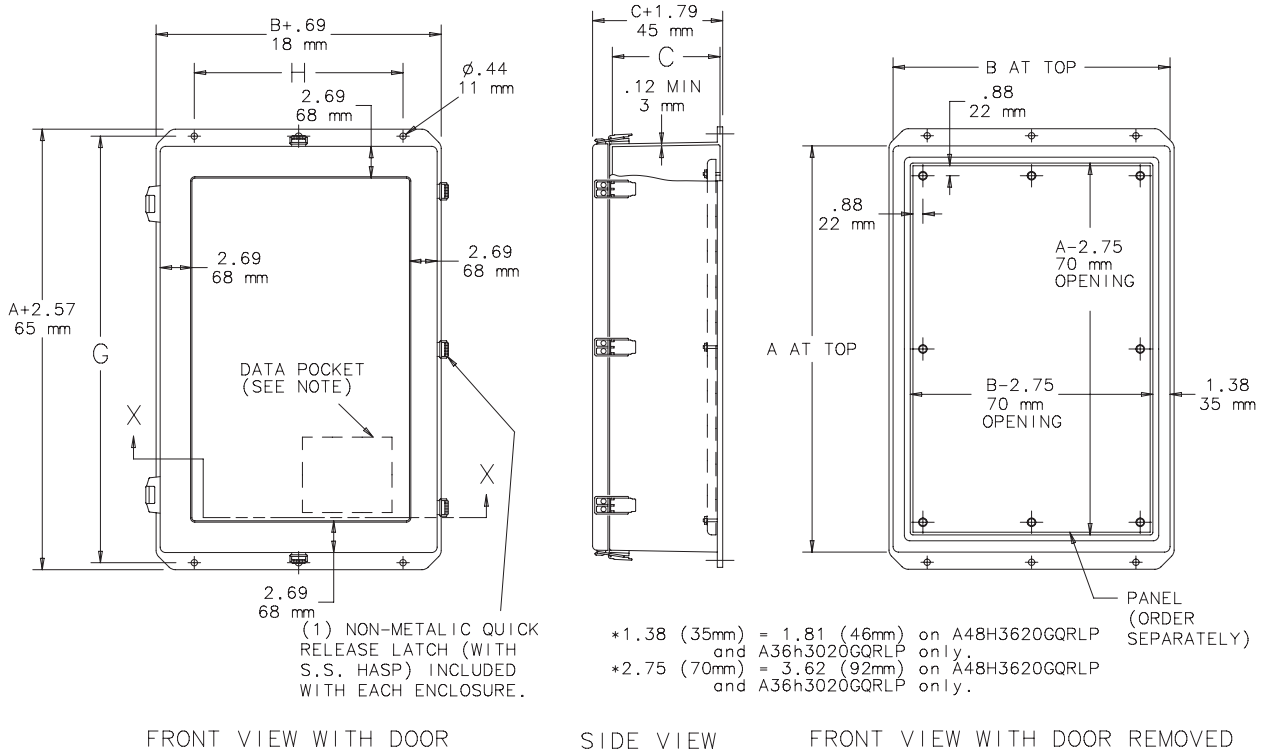


NOTE: Enclosure A36H3020GQRLP still is manufactured according to the drawing of enclosures 36 X 36 or larger.

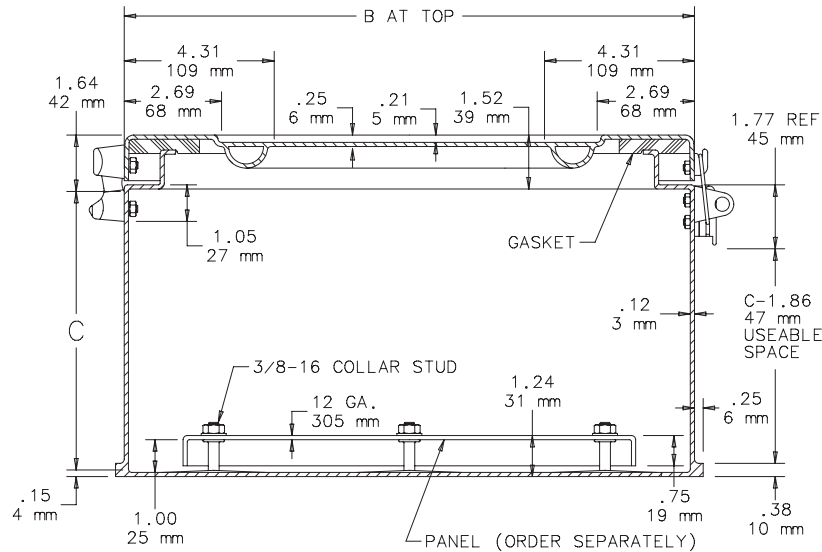


Hinge-Cover with 3-Point Latch or Quick-Release Latches

Hinged with Quick-Release Latch Enclosures 36 X 36 or Larger Drawing



NOTE: Large data pocket provision when A=30.00 (7.76mm) or more. Data pocket is furnished but not installed. Large data pocket is 12.00 X 12.00 (305mm X 305mm); small data pocket is 6.00 x 6.00 (152mm x 152mm).



Hinge-Cover with 3-Point Latch or Quick-Release Latches

Notes

Free-Stand

Free-Stand, Type 4X



Industry Standards

UL 508A Listed; Type 3, 3R, 4, 4X, 12; File No. E61997
 cUL Listed per CSA C22.2 No 94; Type 3, 3R, 4, 4X, 12; File No. E61997
 Enclosure flammability evaluated per UL 508A

NEMA Type 3, 3R, 4, 4X, 12, 13
 E.I.A. RS-310-D
 IEC 60529, IP66
 Meets NEMA Type 3RX requirements

Application

An economical housing for corrosive environments, single-door, free-stand enclosures provide a versatile solution for applications that require flexibility when mounting panels and racks. Benefits include easy access to equipment, larger capacity for control systems, steel reinforcements for stability and strength, captivated door screws and an optional POWERGLIDE® Handle for secure latching.

Standard Product

Catalog Number	AxBxC in./mm	Description	Estimated Ship Wt. (lb.)	Estimated Ship Wt. (kg)
A722525FGFS	72.00 x 25.00 x 24.50 1829 x 635 x 622	Stainless steel captivated door screws	215	97.5
A722525FGFS3PT	72.00 x 25.00 x 24.50 1829 x 635 x 622	3-point latching system/Type 316 stainless steel handle	215	97.5

Specifications

- Fiberglass-reinforced polyester material has excellent temperature and chemical resistance and exhibits outstanding physical properties
- Fiberglass material is easily punched, drilled, filed or sawed
- Models have either a 3-point latching system with handle or stainless steel captivated door screws
- Seamless foam-in-place gasket assures water-tight and dust-tight seal
- Painted steel top, bottom and side internal reinforcements standard; stainless steel corner reinforcements optional
- Heavy-duty Type 316 stainless steel lifting eyes
- Accessory mounting channels attached horizontally to interior body sides at top, bottom and center. Painted mounting channels standard; stainless steel optional.
- Panels and rack-mounting angles can be mounted anywhere along corner channels; panels can be mounted on sides or back
- Hinges are corrosion-resistant fiberglass with Type 316 stainless steel hinge pins
- Large, high-impact thermoplastic data pocket (12.00 x 12.00 in. or 305 x 305 mm) is provided
- Molded-in angular sealing flange directs water away from gasket area
- Type 316 stainless steel POWERGLIDE® Handle on handle versions
- Material is halogen free

Finish

Fiberglass enclosure is gray inside and out. Optional mild-steel panels are painted white. Optional conductive panels are available.

Accessories

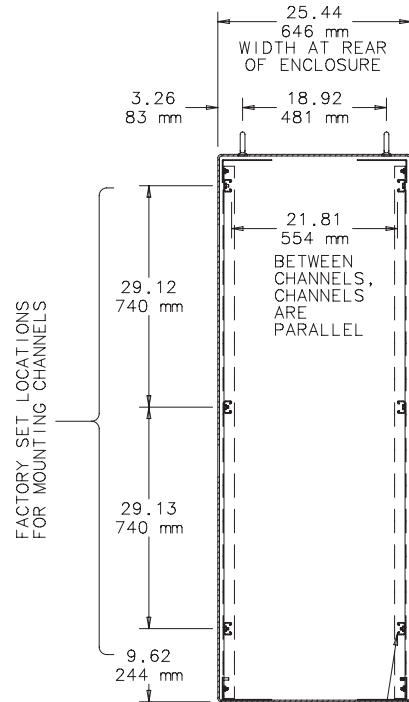
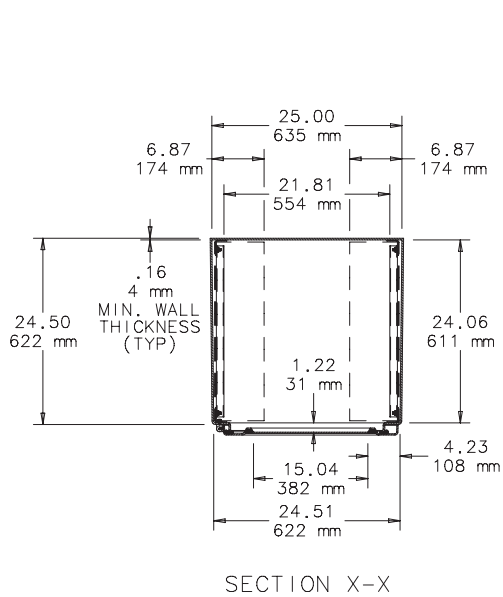
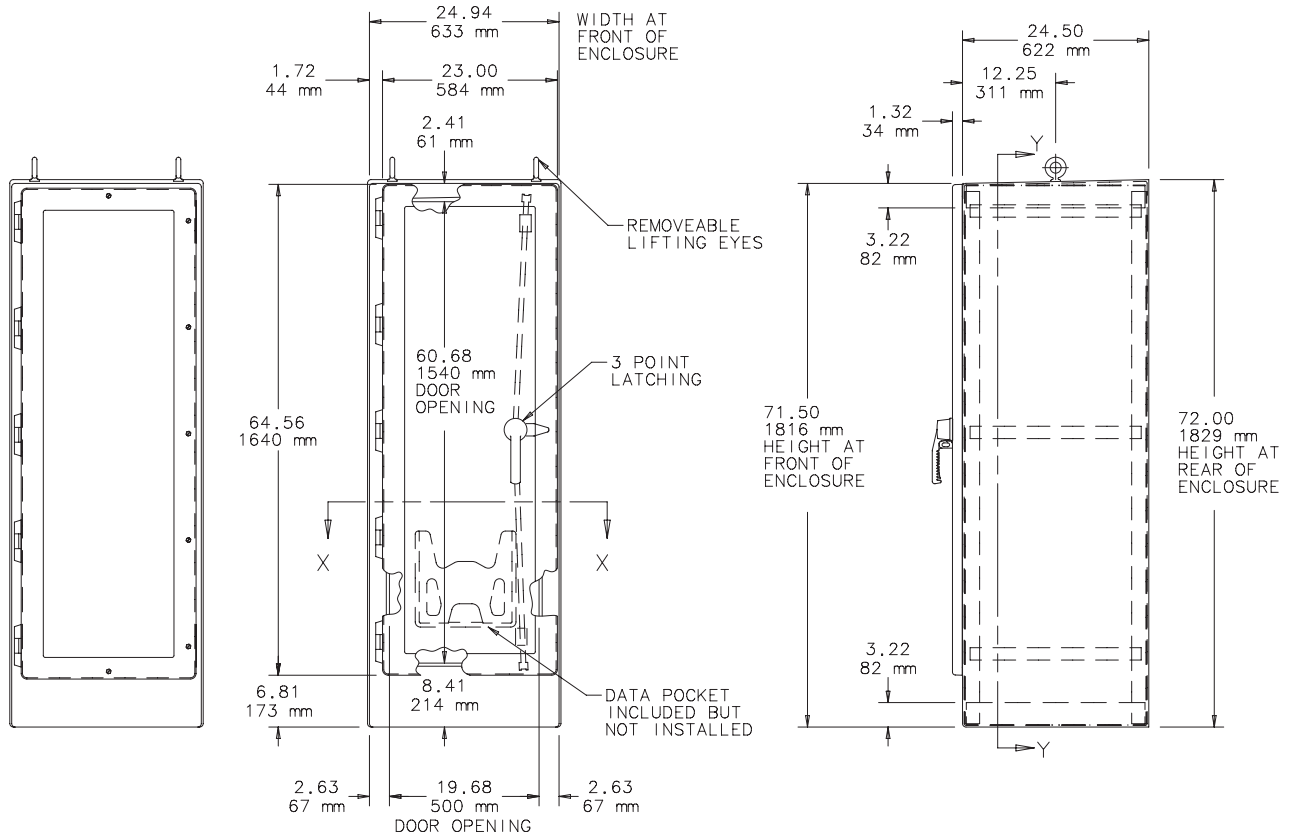
See also *Accessories*.
 Accessory Selection for Free-Stand, Type 4X
 Floor Stand Kit
 H2OMIT® Vent Drains, Type 4X
 H2OMIT® Thermoelectric Dehumidifier
 HOL-SEALERS™ Non-Metallic Hole Seals

Modification and Customization

Hoffman excels at modifying and customizing products to your specifications. Contact your local Hoffman sales office or distributor for complete information.

Bulletin: A17

Free-Stand



87800309

NOTE: Door opens 175°.

MOUNTING CHANNELS FOR REGULAR PANELS, SWING OUT PANELS, AND RELAY RACK ANGLES, CHANNELS ARE REMOVEABLE AND CAN BE REPOSITIONED

Accessory Selection for Free-Stand, Type 4X

For details, see Accessories chapter.

Bulletin: A17Y, A80, D10, PNL30, PNLFS

Panels

Catalog Number	Description	Size (in.)	Size (mm)
A72P24F1	Full Panel, Steel	60.00 x 20.00	1524 x 508
A72P24F2	Half Panel, Steel	30.88 x 20.00	784 x 508
A72P24F1G	Full Panel, Conductive	60.00 x 20.00	1524 x 508
A72P24F2G	Half Panel, Conductive	30.88 x 20.00	784 x 508

Purchase panels and accessories separately.

Swing-Out Panels

Catalog Number	Description	Size (in.)	Size (mm)
A72SP24F3	Full Swing-Out Panel	60.00 x 18.19	1524 x 462
A72SP24F4	Half Swing-Out Panel	30.88 x 18.19	784 x 462

Purchase panels and accessories separately.

Half Swing-Out Panel fits in top or bottom half of enclosure.

Side-Mounted Panels

Catalog Number	Description	Size (in.)	Size (mm)
A72SMP14	14.00 inch (356mm) Wide Panel, Steel	60.00 x 14.00	1524 x 356
A72SMP20	20.00 inch (508mm) Wide Panel, Steel	60.00 x 20.00	1524 x 508
A72SMP14G	14.00 inch (356mm) Wide Panel, Conductive	60.00 x 14.00	1524 x 356
A72SMP20G	20.00 inch (508mm) Wide Panel, Conductive	60.00 x 20.00	1524 x 508

Purchase panels and accessories separately.

Free-Stand

Clamping Nuts

Catalog Number	Description	Package Qty
APS1420CN	1/4-20 Clamping Nut	20
APS51618CN	5/16-18 Clamping Nut	20

Purchase panels and accessories separately.

Casters

Catalog Number	Description	Size (in.)	Size (mm)
DMCKC	Set of four casters	4.00 x 3.00	102 x 76

Requires Bottom Support

Purchase panels and accessories separately.

Inside Bottom Support

Catalog Number	Description	Size (in.)	Size (mm)
A17SUPPORT1	Enclosure bottom support allows installation of casters or floor-stand kits.	23.70 x 23.25	602 x 591

Purchase panels and accessories separately.

Rack Mounting Accessory Selection for Free-Stand, Type 4X

For details, see Accessories chapter.

Bulletin: A80, P20

Rack Mounting Angles

Catalog Number	Description	Length (in.)	Length (mm)	Units
A72RP24F5	Two Full-Length Angles (Type RP)	61.25	1556	35
A72RP24F6	Two Half-Length Angles (Type RP)	31.50	800	18
A60RA19TH	Two Full-Length Angles (Type RA)	49.00	1245	28
A72RA19TH	Two Full-Length Angles (Type RA)	61.25	1556	35

Purchase accessories separately.

1 unit = 1.75 in. (44mm)

Clip Nut Package

Catalog Number	Description	Package Qty	Size
AN1032	#10-32 Zinc-Plated	20	Fits U-Style (Type RA) Rack Mounting Angle

Purchase accessories separately.

Rack Panels

Catalog Number	Description	Size (in.)	Size (mm)	Units
P19RP1UA	Aluminum	19.00 x 1.75	483 x 44	1
P19RP1UP	Steel	19.00 x 1.75	483 x 44	1
P19RP2UA	Aluminum	19.00 x 3.50	483 x 89	2
P19RP2UP	Steel	19.00 x 3.50	483 x 89	2
P19RP3UA	Aluminum	19.00 x 5.25	483 x 133	3
P19RP3UP	Steel	19.00 x 5.25	483 x 133	3
P19RP4UA	Aluminum	19.00 x 7.00	483 x 178	4
P19RP4UP	Steel	19.00 x 7.00	483 x 178	4
P19RP5UA	Aluminum	19.00 x 8.75	483 x 222	5
P19RP5UP	Steel	19.00 x 8.75	483 x 222	5
P19RP6UA	Aluminum	19.00 x 10.50	483 x 267	6
P19RP6UP	Steel	19.00 x 10.50	483 x 267	6
P19RP7UA	Aluminum	19.00 x 12.25	483 x 311	7
P19RP7UP	Steel	19.00 x 12.25	483 x 311	7
P19RP8UA	Aluminum	19.00 x 14.00	483 x 356	8
P19RP8UP	Steel	19.00 x 14.00	483 x 356	8
P19RP9UP	Steel	19.00 x 15.75	483 x 400	9
P19RP10UP	Steel	19.00 x 17.50	483 x 445	10
P19RP11UA	Aluminum	19.00 x 19.25	483 x 489	11
P19RP11UP	Steel	19.00 x 19.25	483 x 489	11
P19RP12UA	Aluminum	19.00 x 21.00	483 x 533	12
P19RP12UP	Steel	19.00 x 21.00	483 x 533	12
P19RP16UP	Steel	19.00 x 28.00	483 x 711	16

Purchase panels and accessories separately.

1 unit = 1.75 in. (44 mm)

Free-Stand

Screw Package

Catalog Number	Description	Package Qty
AS1032	10-32 Truss Head Nickel-Plated	20

Purchase accessories separately.

Drawers

Catalog Number	Description	Depth (in.)	Depth (mm)	Units
A19DR2U	Pull-Out Drawer	3.47	88	2
A19DR4U	Pull-Out Drawer	6.97	177	4

Purchase accessories separately.

1 unit = 1.75 in. (44 mm)

Requires two sets of Type RA Rack Mounting Angles for installation.

Writing Surface for Drawers

Catalog Number	Description	Size
A19WSDR	Hinged Surface	Fits Drawer A19DR2U and A19DR4U

Purchase accessories separately.

Shelves

Catalog Number	Description	Units
A19SHP6	Pull-Out Shelf	2
A19SH5	Fixed Shelf	1
A19SH6	Fixed Shelf	1

Purchase accessories separately.

1 unit = 1.75 in. (44 mm)

Guides

Catalog Number	Description	Unit
AG1U6	Chassis Guide (set of two)	1

Purchase accessories separately.

1 unit = 1.75 in. (44 mm)

Two-Door Free-Stand

Two-Door Free-Stand, Type 4X



Industry Standards

UL 508A Listed; Type 3, 3R, 4, 4X, 12; File No. E61997
 cUL Listed per CSA C22.2 No 94; Type 3, 3R, 4, 4X, 12; File No. E61997
 Enclosure flammability evaluated per UL 508A

NEMA Type 3, 3R, 4, 4X, 12, 13
 IEC 60529, IP66
 Meets NEMA Type 3RX requirements

Application

An economical way to house electronics in corrosive environments, two-door enclosures provide easy access to equipment, larger capacity for control systems and steel reinforcements that ensure stability and strength. These enclosures feature captivated door screws and an optional POWERGLIDE® Handle for secure latching.

Specifications

- Fiberglass-reinforced polyester material has excellent temperature and chemical resistance and exhibits outstanding physical properties
- Seams are sealed; no holes or knockouts
- Fiberglass material is easily punched, drilled, filed or sawed
- Models have either a 3-point latching system with handle or stainless steel captivated door screws
- Type 316 stainless steel POWERGLIDE Handle on handle versions
- Stainless steel captivated door screws on screw versions
- Seamless foam-in-place gasket assures a water-tight and dust-tight seal

- Painted steel top, bottom and side internal reinforcements standard; stainless steel corner reinforcements optional
- Solid centerpost (not removable) has heavy-gauge stiffener
- Heavy-duty Type 316 stainless steel lifting eyes
- Hinges are corrosion-resistant fiberglass with Type 316 stainless steel hinge pins
- Large data pocket (12.00 x 12.00 in. or 305 x 305 mm) is high-impact thermoplastic
- Molded-in angular sealing flange directs water away from gasket area
- Material is halogen free

Finish

Fiberglass enclosure is gray inside and out. White painted mild steel panels are included. Optional conductive panels are available.

Accessories

See also *Accessories*.
 Accessory Selection for Free-Stand, Type 4X
 Bottom Support Kits
 Floor Stand Kit
 H2OMIT® Vent Drains, Type 4X
 H2OMIT® Thermoelectric Dehumidifier
 HOL-SEALERS™ Non-Metallic Hole Seals

Modification and Customization

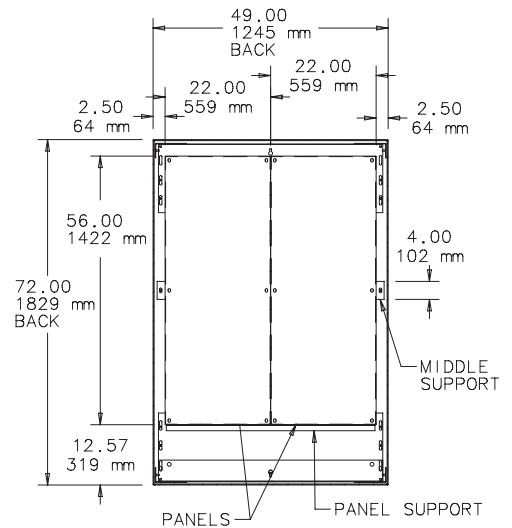
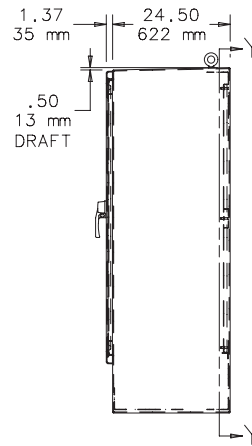
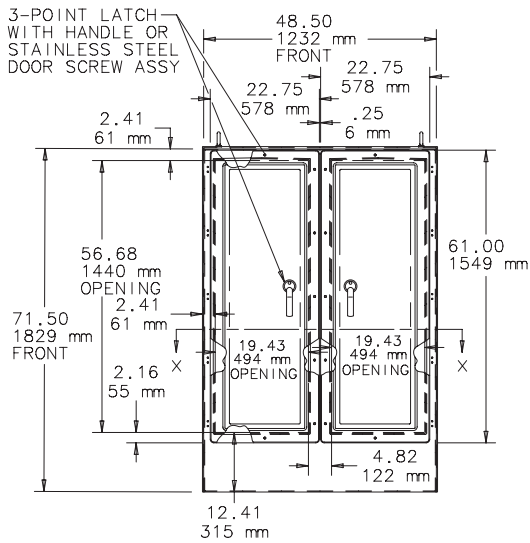
Hoffman excels at modifying and customizing products to your specifications. Contact your local Hoffman sales office or distributor for complete information.

Bulletin: A17

Standard Product

Catalog Number	AxBxC in./mm	Number of Panels	Panel Size in./mm
A724925FG	72.00 x 49.00 x 24.50 1829 x 1245 x 622	2	56.00 x 22.00 1422 x 559
A724925FGF53PT	72.00 x 49.00 x 24.50 1830 x 1245 x 622	2	56.00 x 22.00 1422 x 559

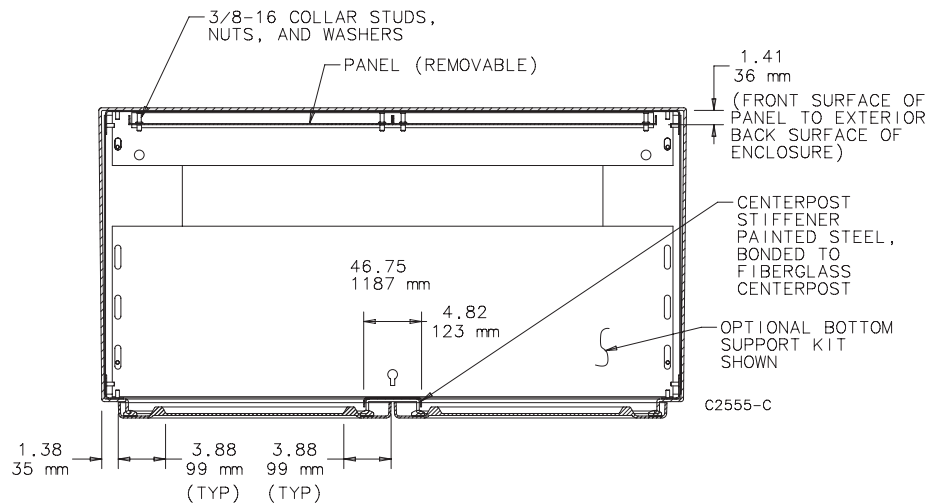
Two-Door Free-Stand



SECTION Y-Y

- NOTE: 1. Upper, middle, and lower supports as well as centerpost stiffener are steel.
 2. Optional Bottom Support Kit required when installing Caster, Floor-Stand Kit, or Unistrut Mounting Kit.

NOTE: Section Y-Y shown with the optional Bottom Support Kit and Unistrut Mounting Kit accessories installed.



SECTION X-X

Bottom Support Kits

Bulletin: A17Y

Catalog Number	Description
A17SUPPORT2	Inside Bottom Support -- Enclosure bottom support to allow option of installing casters or floor stand kits
A17UNISTRUT	Bolt-On Unistrut Channel (8 channels) -- Painted steel unistrut for accessory mounting

A17SUPPORT2 required to install A17UNISTRUT in two-door enclosures

QLINE® D
QLINE® D Pushbutton, Type 4X

Industry Standards

 UL 508A Listed; Type 4, 4X, 12, 13; No. E61997
 cUL Listed per CSA C22.2 No 94; Type 4, 4X, 12, 13; No. E61997
 Enclosure flammability evaluated per UL 508A

 NEMA/EEMAC Type 4, 4X, 12
 CSA File Number 42186: Type 4, 4X, 12
 IEC 60529, IP67

Application

Used for insulating and housing 30.5-mm or 22.5-mm pushbuttons in hostile environments, QLINE® D Enclosures have contoured bodies with flush cover screws for an attractive, contemporary appearance.

Specifications

- High-impact polycarbonate material is used for both body and cover
- Polycarbonate material is easily punched, drilled, filed or sawed
- Straight side walls permit ganging of multiple enclosures
- Cross-point captivated cover screws are stainless steel
- Mounting holes molded directly adjacent to cover screws
- Cover screws protected by removable caps that are both aesthetic and provide tamper resistance
- Molded internal pads for mounting optional panels, rails or other components
- Seamless foam-in-place gasket assures water-tight and dust-tight seal
- Screws provided for mounting optional panel
- Mounting hardware furnished
- Material is halogen free

Finish

Polycarbonate enclosure material is RAL 7035 light-gray inside and out. Optional panels are unpainted plated steel.

Accessories

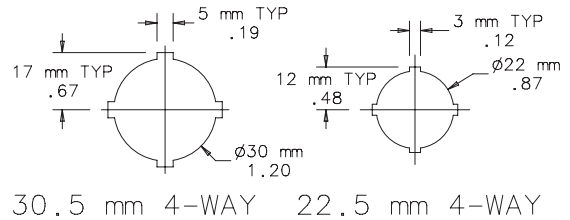
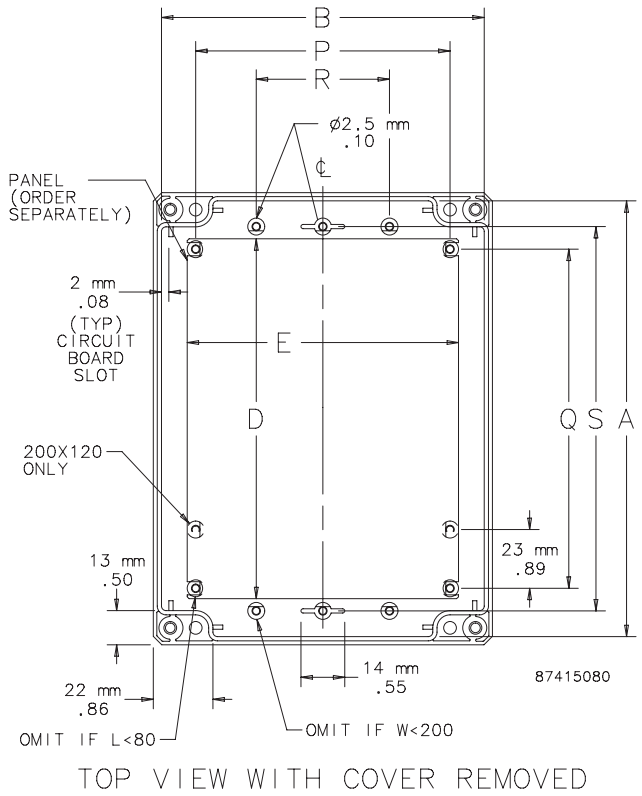
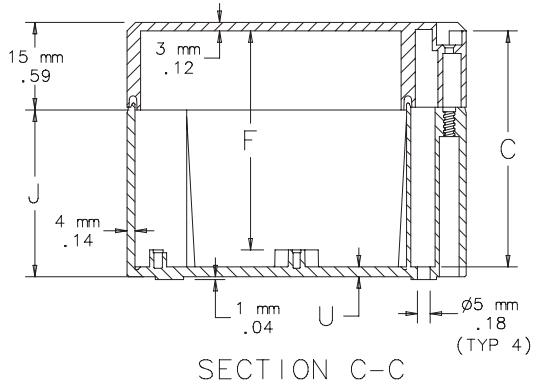
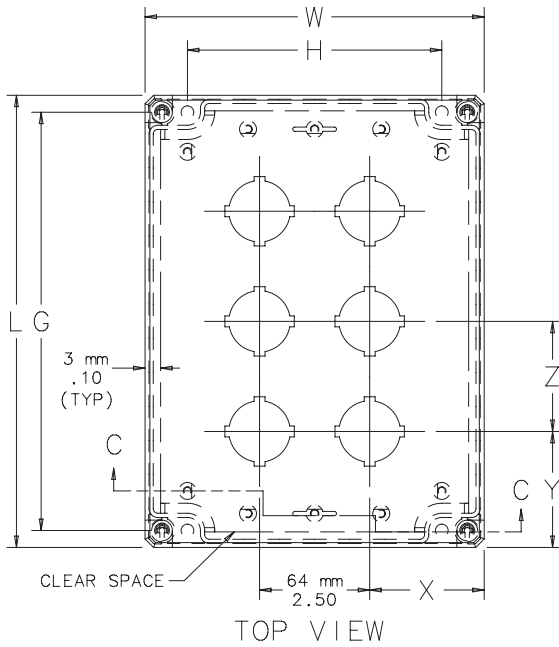
 See also *Accessories*.
 Hardware Kit
 Hinge Kit
 Mounting Bracket Kit
Bulletin: Q41
Standard Product

Catalog Number	Ax B x C mm/in.	Hole Size mm/in.	External Dimensions L x W mm/in.	Panel	Panel Size D x E mm/in.	Mounting										
						G x H mm/in.	F mm/in.	J mm/in.	P mm/in.	Q mm/in.	R mm/in.	S mm/in.	U mm/in.	X mm/in.	Y mm/in.	Z mm/in.
Q1PBPCD	75 x 73 x 79	30.5	82 x 80	Q88PD	68 x 55	70 x 50	72	70	58	44	—	58	3	40	41	—
	2.95 x 2.87 x 3.11		3.23 x 3.15		2.68 x 2.17	2.76 x 1.97	2.83	2.76	2.28	1.73	—	2.28	0.12	1.57	1.61	—
Q1PBPCDM	75 x 73 x 79	22.5	82 x 80	Q88PD	68 x 55	70 x 50	72	70	58	44	—	58	3	40	41	—
	2.95 x 2.87 x 3.11		3.23 x 3.15		2.68 x 2.17	2.76 x 1.97	2.83	2.76	2.28	1.73	—	2.28	0.12	1.57	1.61	—
Q2PBPCDM	113 x 73 x 79	22.5	120 x 80	Q128PD	91 x 65	108 x 50	72	70	58	82	—	96	3	40	36	48
	4.45 x 2.87 x 3.11		4.72 x 3.15		3.58 x 2.56	4.25 x 1.97	2.83	2.76	2.28	3.22	—	3.78	0.12	1.57	1.42	1.89
Q2PBPCD	153 x 73 x 79	30.5	160 x 80	Q168PD	131 x 65	148 x 50	72	70	58	122	—	136	3	40	48	64
	6.02 x 2.87 x 3.11		6.30 x 3.15		5.16 x 2.56	5.83 x 1.97	2.83	2.76	2.28	4.80	—	5.35	0.12	1.57	1.89	2.52
Q3PBPCDM	153 x 73 x 79	22.5	160 x 80	Q168PD	131 x 65	148 x 50	72	70	58	122	—	136	3	40	32	48
	6.02 x 2.87 x 3.11		6.30 x 3.15		5.16 x 2.56	5.83 x 1.97	2.83	2.76	2.28	4.80	—	5.35	0.12	1.57	1.26	1.89
Q3PBPCD	193 x 113 x 79	30.5	200 x 120	Q2012PD	170 x 100	188 x 90	72	70	90	160	40	176	3	60	36	64
	7.60 x 4.45 x 3.11		7.87 x 4.72		6.69 x 3.94	7.40 x 3.54	2.83	2.76	3.54	6.30	1.57	6.93	0.12	2.36	1.42	2.52
Q4PBPCD	193 x 113 x 79	30.5	200 x 120	Q2012PD	170 x 100	188 x 90	72	70	90	160	40	176	3	28	68	64
	7.60 x 4.45 x 3.11		7.87 x 4.72		6.69 x 3.94	7.40 x 3.54	2.83	2.76	3.54	6.30	1.57	6.93	0.12	1.10	2.68	2.52
Q4PBPCDM	193 x 113 x 79	22.5	200 x 120	Q2012PD	170 x 100	188 x 90	72	70	90	160	40	176	3	60	28	48
	7.60 x 4.45 x 3.11		7.87 x 4.72		6.69 x 3.94	7.40 x 3.54	2.83	2.76	3.54	6.30	1.57	6.93	0.12	2.36	1.10	1.89
Q6PBPCD	233 x 153 x 84	30.5	240 x 160	Q2416PD	211 x 148	228 x 130	78	75	138	202	75	215	4	48	56	64
	9.17 x 6.02 x 3.29		9.45 x 6.30		8.31 x 5.83	8.98 x 5.12	3.07	2.95	5.43	7.95	2.95	8.46	0.16	1.89	2.20	2.52

A x B x C are internal dimensions.

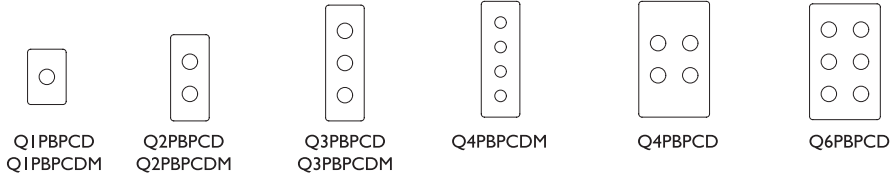
Purchase panels separately.

QLINE® D



QLINE D Polycarbonate Type 4X Pushbutton Hole Arrangement Drawing

Hole Arrangement



QLINE® D
QLINE® D, Type 4X

Industry Standards
Polycarbonate Enclosure

UL 508A Listed; Type 4, 4X, 6, 12, 13; File No. E61997
 cUL Listed per CSA C22.2 No 94; Type 4, 4X, 6, 12, 13; File No. E61997
 Enclosure flammability evaluated per UL 508A

NEMA/EEMAC Type 4, 4X, 6, 12, 13
 CSA File No. 42186: Type 4, 4X, 6, 12, 13
 IEC 60529, IP67

ABS Enclosure

NEMA/EEMAC Type 4, 4X, 6, 12, 13
 IEC 60529, IP67

Application

QLINE® D polycarbonate and ABS enclosures have contoured bodies with flush cover screws for an attractive, contemporary appearance. Tough as well as stylish, they are functional in corrosive environments and can withstand occasional submersion.

The ABS series shares the same features and similar physical properties as the polycarbonate but is a more economical, non-UL rated alternative.

Specifications

- Body is impact-resistant polycarbonate for PCD series and ABS for ABD series
- Opaque and clear covers are impact-resistant polycarbonate for PCD series and ABS for ABD series
- Polycarbonate material is easily punched, drilled, filed or sawed
- Straight side walls permit ganging of multiple enclosures
- Cross-point captivated cover screws are stainless steel
- Mounting holes molded directly adjacent to cover screws
- Cover screws protected by removable caps that are aesthetic and provide tamper resistance
- Molded internal pads for mounting optional panels, rails and other components
- Panel mounting feature on both body and cover
- Seamless foam-in-place gasket assures water-tight and dust-tight seal
- Screws provided for mounting optional panel
- Material is halogen free

Finish

Polycarbonate and ABS enclosures are light-gray (RAL 7035) inside and out. Optional panels are plated steel.

Accessories

See also Accessories.
 Hardware Kit
 Hinge Kit
 HOL-SEALERS™ Non-Metallic Hole Seals
 Mounting Bracket Kit

Modification and Customization

Hoffman excels at modifying and customizing products to your specifications. Contact your local Hoffman sales office or distributor for complete information.

Bulletin: Q41

QLINE® D
Standard Product Polycarbonate

Catalog Number	Ax B x C mm/in.	Cover Style	External Dimensions		Panel	Panel Size D x E mm/in.	Mounting G x H mm/in.	F mm/in.	J mm/in.	K mm/in.	P mm/in.	Q mm/in.	R mm/in.	S mm/in.	U mm/in.
			L x W mm/in.												
Q554PCD	50 x 48 x 31	Opaque	55 x 53	—	—	—	43 x 41	28	25	10	16	—	—	—	2
	1.97 x 1.89 x 1.22		2.17 x 2.09	—		—	1.69 x 1.61	1.10	0.98	0.39	0.63	—	—	—	0.08
Q554PCDCC	50 x 48 x 31	Clear	55 x 53	—	—	—	43 x 41	28	25	10	16	—	—	—	2
	1.97 x 1.89 x 1.22		2.17 x 2.09	—		—	1.69 x 1.61	1.10	0.98	0.39	0.63	—	—	—	0.08
Q886PCD	76 x 74 x 49	Opaque	82 x 80	Q88PD	Q88PD	68 x 55	70 x 50	42	40	15	58	44	—	58	3
	2.96 x 2.89 x 1.93		3.23 x 3.15	2.68 x 2.17		2.76 x 1.97	1.65	1.57	0.59	2.28	1.73	—	2.28	0.12	
Q886PCDCC	76 x 74 x 49	Clear	82 x 80	Q88PD	Q88PD	68 x 55	70 x 50	42	40	15	58	44	—	58	3
	2.99 x 2.91 x 1.93		3.23 x 3.15	2.68 x 2.17		2.76 x 1.97	1.65	1.57	0.59	2.28	1.73	—	2.28	0.12	
Q1286PCD	114 x 74 x 49	Opaque	120 x 80	Q128PD	Q128PD	91 x 65	108 x 50	42	40	15	58	82	—	96	3
	4.49 x 2.91 x 1.93		4.72 x 3.15	3.58 x 2.56		4.25 x 1.97	1.65	1.57	0.59	2.28	3.23	—	3.78	0.12	
Q1286PCDCC	114 x 74 x 49	Clear	120 x 80	Q128PD	Q128PD	91 x 65	108 x 50	42	40	15	58	82	—	96	3
	4.49 x 2.91 x 1.93		4.72 x 3.15	3.58 x 2.56		4.25 x 1.97	1.65	1.57	0.59	2.28	3.23	—	3.78	0.12	
Q1686PCD	154 x 74 x 49	Opaque	160 x 80	Q168PD	Q168PD	131 x 65	148 x 50	42	40	15	58	122	—	136	3
	6.06 x 2.91 x 1.93		6.30 x 3.15	5.16 x 2.56		5.83 x 1.97	1.65	1.57	0.59	2.28	4.80	—	5.35	0.12	
Q1686PCDCC	154 x 74 x 49	Clear	160 x 80	Q168PD	Q168PD	131 x 65	148 x 50	42	40	15	58	122	—	136	3
	6.06 x 2.91 x 1.93		6.30 x 3.15	5.16 x 2.56		5.83 x 1.97	1.65	1.57	0.59	2.28	4.80	—	5.35	0.12	
Q12126PCD	116 x 114 x 49	Opaque	122 x 120	Q1212PD	Q1212PD	105 x 93	110 x 90	42	40	15	98	84	—	98	3
	4.57 x 4.49 x 1.93		4.80 x 4.72	4.13 x 3.66		4.33 x 3.54	1.65	1.57	0.59	3.86	3.31	—	3.86	0.12	
Q12126PCDCC	116 x 114 x 49	Clear	122 x 120	Q1212PD	Q1212PD	105 x 93	110 x 90	42	40	15	98	84	—	98	3
	4.57 x 4.49 x 1.93		4.80 x 4.72	4.13 x 3.66		4.33 x 3.54	1.65	1.57	0.59	3.86	3.31	—	3.86	0.12	
Q20158PCD	193 x 143 x 69	Opaque	200 x 150	Q2015PD	Q2015PD	170 x 128	188 x 120	62	60	15	118	160	118	176	3
	7.60 x 5.63 x 2.72		7.87 x 5.91	6.69 x 5.04		7.40 x 4.72	2.44	2.36	0.59	4.65	6.30	4.65	6.93	0.12	
Q20158PCDCC	193 x 143 x 69	Clear	200 x 150	Q2015PD	Q2015PD	170 x 128	188 x 120	62	60	15	118	160	118	176	3
	7.60 x 5.63 x 2.72		7.87 x 5.91	6.69 x 5.04		7.40 x 4.72	2.44	2.36	0.59	4.65	6.30	4.65	6.93	0.12	
Q889PCD	76 x 74 x 79	Opaque	82 x 80	Q88PD	Q88PD	68 x 55	70 x 50	72	70	15	58	44	37	58	3
	2.99 x 2.91 x 3.11		3.23 x 3.15	2.68 x 2.17		2.76 x 1.97	2.83	2.76	0.59	2.28	1.73	1.46	2.28	0.12	
Q889PCDCC	76 x 74 x 79	Clear	82 x 80	Q88PD	Q88PD	68 x 55	70 x 50	72	70	15	58	44	37	58	3
	2.99 x 2.91 x 3.11		3.23 x 3.15	2.68 x 2.17		2.76 x 1.97	2.83	2.76	0.59	2.28	1.73	1.46	2.28	0.12	
Q1289PCD	113 x 73 x 79	Opaque	120 x 80	Q128PD	Q128PD	91 x 65	108 x 50	72	70	15	58	82	—	96	3
	4.45 x 2.87 x 3.11		4.72 x 3.15	3.58 x 2.56		4.25 x 1.97	2.83	2.76	0.59	2.28	3.23	—	3.78	0.12	
Q1289PCDCC	113 x 73 x 79	Clear	120 x 80	Q128PD	Q128PD	91 x 65	108 x 50	72	70	15	58	82	—	96	3
	4.45 x 2.87 x 3.11		4.72 x 3.15	3.58 x 2.56		4.25 x 1.97	2.83	2.76	0.59	2.28	3.23	—	3.78	0.12	
Q1689PCD	153 x 73 x 79	Opaque	160 x 80	Q168PD	Q168PD	131 x 65	148 x 50	72	70	15	58	122	—	136	3
	6.02 x 2.87 x 3.11		6.30 x 3.15	5.16 x 2.56		5.83 x 1.97	2.83	2.76	0.59	2.28	4.80	—	5.35	0.12	
Q1689PCDCC	153 x 73 x 79	Clear	160 x 80	Q168PD	Q168PD	131 x 65	148 x 50	72	70	15	58	122	—	136	3
	6.02 x 2.87 x 3.11		6.30 x 3.15	5.16 x 2.56		5.83 x 1.97	2.83	2.76	0.59	2.28	4.80	—	5.35	0.12	
Q12129PCD	116 x 114 x 79	Opaque	122 x 120	Q1212PD	Q1212PD	105 x 93	110 x 90	72	70	15	98	84	97	98	3
	4.57 x 4.49 x 3.11		4.80 x 4.72	4.13 x 3.66		4.33 x 3.54	2.83	2.76	0.59	3.86	3.31	3.82	3.86	0.12	
Q12129PCDCC	116 x 114 x 79	Clear	122 x 120	Q1212PD	Q1212PD	105 x 93	110 x 90	72	70	15	98	84	97	98	3
	4.57 x 4.49 x 3.11		4.80 x 4.72	4.13 x 3.66		4.33 x 3.54	2.83	2.76	0.59	3.86	3.31	3.82	3.86	0.12	
Q20129PCD	193 x 113 x 79	Opaque	200 x 120	Q2012PD	Q2012PD	170 x 100	188 x 90	72	70	15	90	160	40	176	3
	7.60 x 4.45 x 3.11		7.87 x 4.72	6.69 x 3.94		7.40 x 3.54	2.83	2.76	0.59	3.54	6.30	1.57	6.93	0.12	
Q20129PCDCC	193 x 113 x 79	Clear	200 x 120	Q2012PD	Q2012PD	170 x 100	188 x 90	72	70	15	90	160	40	176	3
	7.60 x 4.45 x 3.11		7.87 x 4.72	6.69 x 3.94		7.40 x 3.54	2.83	2.76	0.59	3.54	6.30	1.57	6.93	0.12	
Q30239PCD	293 x 223 x 79	Opaque	300 x 230	Q3023PD	Q3023PD	265 x 210	288 x 200	73	55	30	198	255	160	275	4
	11.54 x 8.78 x 3.11		11.81 x 9.05	10.43 x 8.27		11.34 x 7.87	2.87	2.17	1.18	7.80	10.04	6.30	10.83	0.16	
Q30239PCDCC	293 x 223 x 79	Clear	300 x 230	Q3023PD	Q3023PD	265 x 210	288 x 200	73	55	30	198	255	160	275	4
	11.54 x 8.78 x 3.11		11.81 x 9.05	10.43 x 8.27		11.34 x 7.87	2.87	2.17	1.18	7.80	10.04	6.30	10.83	0.16	
Q16129PCD	153 x 113 x 84	Opaque	160 x 120	Q1612PD	Q1612PD	130 x 100	148 x 90	78	60	30	90	120	—	136	3
	6.02 x 4.45 x 3.31		6.30 x 4.72	5.12 x 3.94		5.83 x 3.54	3.07	2.36	1.18	3.54	4.72	—	5.35	0.12	
Q16129PCDCC	153 x 113 x 84	Clear	160 x 120	Q1612PD	Q1612PD	130 x 100	148 x 90	78	60	30	90	120	—	136	3
	6.02 x 4.45 x 3.31		6.30 x 4.72	5.12 x 3.94		5.83 x 3.54	3.07	2.36	1.18	3.54	4.72	—	5.35	0.12	
Q24169PCD	233 x 153 x 84	Opaque	240 x 160	Q2416PD	Q2416PD	211 x 148	228 x 130	78	75	15	138	202	75	215	4
	9.17 x 6.02 x 3.31		9.45 x 6.30	8.31 x 5.83		8.98 x 5.12	3.07	2.95	0.59	5.43	7.95	2.95	8.46	0.16	
Q24169PCDCC	233 x 153 x 84	Clear	240 x 160	Q2416PD	Q2416PD	211 x 148	228 x 130	78	75	15	138	202	75	215	4
	9.17 x 6.02 x 3.31		9.45 x 6.30	8.31 x 5.83		8.98 x 5.12	3.07	2.95	0.59	5.43	7.95	2.95	8.46	0.16	
Q302311PCD	293 x 223 x 104	Opaque	300 x 230	Q3023PD	Q3023PD	265 x 210	288 x 200	98	55	55	198	255	160	275	4
	11.54 x 8.78 x 4.09		11.81 x 9.06	10.43 x 8.27		11.34 x 7.87	3.86	2.17	2.17	7.80	10.04	6.30	10.83	0.16	
Q302311PCDCC	293 x 223 x 104	Clear	300 x 230	Q3023PD	Q3023PD	265 x 210	288 x 200	98	55	55	198	255	160	275	4
	11.54 x 8.78 x 4.09		11.81 x 9.06	10.43 x 8.27		11.34 x 7.87	3.86	2.17	2.17	7.80	10.04	6.30	10.83	0.16	
Q241612PCD	233 x 153 x 114	Opaque	240 x 160	Q2416PD	Q2416PD	211 x 148	228 x 130	108	75	45	75	202	75	215	4
	9.17 x 6.02 x 4.49		9.45 x 6.30	8.31 x 5.83		8.98 x 5.12	4.25	2.95	1.77	2.95	7.95	2.95	8.46	0.16	
Q241612PCDCC	233 x 153 x 114	Clear	240 x 160	Q2416PD	Q2416PD	211 x 148	228 x 130	108	75	45	75	202	75	215	4
	9.17 x 6.02 x 4.49		9.45 x 6.30	8.31 x 5.83		8.98 x 5.12	4.25	2.95	1.77	2.95	7.95	2.95	8.46	0.16	

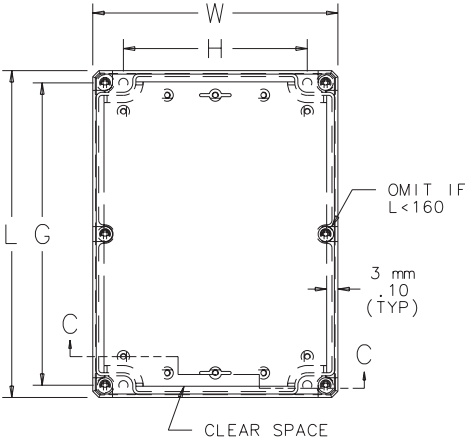
A x B x C are internal dimensions.

Purchase panels separately.

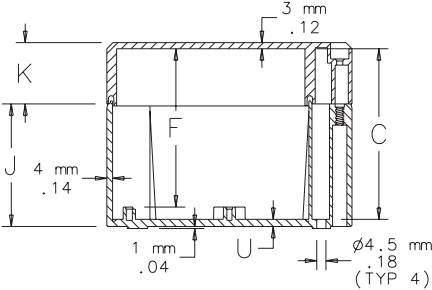
QLINE® D
Standard Product ABS

Catalog Number	AxBxC mm/in.	Cover Style	External Dimensions		Panel	Panel Size D x E mm/in.	Mtg. G x H mm/in.	F mm/in.	J mm/in.	K mm/in.	P mm/in.	Q mm/in.	R mm/in.	S mm/in.	U mm/in.
			L x W mm/in.												
Q554ABD	50 x 48 x 31	Opaque	55 x 53	—	—	43 x 41	28	25	10	16	—	—	—	—	2
	1.97 x 1.89 x 1.22		2.17 x 2.09	—	—	1.69 x 1.61	1.10	.98	.39	.63	—	—	—	—	.08
Q554ABDCC	50 x 48 x 31	Clear	55 x 53	—	—	43 x 41	28	25	10	16	—	—	—	—	2
	1.97 x 1.89 x 1.22		2.17 x 2.09	—	—	1.69 x 1.61	1.10	.98	.39	.63	—	—	—	—	.08
Q886ABD	76 x 74 x 49	Opaque	82 x 80	Q88PD	68 x 55	70 x 50	42	40	15	58	44	—	—	58	3
	2.99 x 2.91 x 1.93		3.23 x 3.15		2.68 x 2.17	2.76 x 2.17	1.65	1.57	.59	2.28	1.73	—	—	2.28	.12
Q886ABDCC	76 x 74 x 49	Clear	82 x 80	Q88PD	68 x 55	70 x 50	42	40	15	58	44	—	—	58	3
	2.99 x 2.91 x 1.93		3.23 x 3.15		2.68 x 2.17	2.76 x 2.17	1.65	1.57	.59	2.28	1.73	—	—	2.28	.12
Q1286ABD	114 x 74 x 49	Opaque	120 x 80	Q128PD	91 x 65	108 x 50	42	40	15	58	82	—	—	96	3
	4.49 x 2.91 x 1.93		4.72 x 3.15		3.58 x 2.56	4.25 x 1.97	1.65	1.57	.59	2.28	3.23	—	—	3.78	.12
Q1286ABDCC	114 x 74 x 49	Clear	120 x 80	Q128PD	91 x 65	108 x 50	42	40	15	58	82	—	—	96	3
	4.49 x 2.91 x 1.93		4.72 x 3.15		3.58 x 2.56	4.25 x 1.97	1.65	1.57	.59	2.28	3.23	—	—	3.78	.12
Q1686ABD	154 x 74 x 49	Opaque	160 x 80	Q168PD	131 x 65	148 x 50	42	40	15	58	122	—	—	136	3
	6.06 x 2.91 x 1.93		6.30 x 3.15		5.16 x 2.56	5.83 x 1.97	1.65	1.57	.59	2.28	4.80	—	—	5.35	.12
Q1686ABDCC	154 x 74 x 49	Clear	160 x 80	Q168PD	131 x 65	148 x 50	42	40	15	58	122	—	—	136	3
	6.06 x 2.91 x 1.93		6.30 x 3.15		5.16 x 2.56	5.83 x 1.97	1.65	1.57	.59	2.28	4.80	—	—	5.35	.12
Q12126ABD	116 x 114 x 49	Opaque	122 x 120	Q1212PD	105 x 93	110 x 90	42	40	15	98	84	—	—	98	3
	4.57 x 4.49 x 1.93		4.80 x 4.72		4.13 x 3.66	4.33 x 3.54	1.65	1.57	.59	3.86	3.31	—	—	3.86	.12
Q12126ABDCC	116 x 114 x 49	Clear	122 x 120	Q1212PD	105 x 93	110 x 90	42	40	15	98	84	—	—	98	3
	4.57 x 4.49 x 1.93		4.80 x 4.72		4.13 x 3.66	4.33 x 3.54	1.65	1.57	.59	3.86	3.31	—	—	3.86	.12
Q20158ABD	193 x 143 x 69	Opaque	200 x 150	Q2015PD	170 x 128	188 x 120	62	60	15	118	160	118	118	176	3
	7.60 x 5.63 x 2.72		7.87 x 5.91		6.69 x 5.04	7.40 x 4.72	2.44	2.36	.59	4.65	6.30	4.65	4.65	6.93	.12
Q20158ABDCC	193 x 143 x 69	Clear	200 x 150	Q2015PD	170 x 128	188 x 120	62	60	15	118	160	118	118	176	3
	7.60 x 5.63 x 2.72		7.87 x 5.91		6.69 x 5.04	7.40 x 4.72	2.44	2.36	.59	4.65	6.30	4.65	4.65	6.93	.12
Q889ABD	76 x 74 x 79	Opaque	82 x 80	Q88PD	68 x 55	70 x 50	72	70	15	58	44	37	—	58	3
	2.99 x 2.91 x 3.11		3.23 x 3.15		2.68 x 2.17	2.76 x 1.97	2.83	2.76	.59	2.28	1.73	1.46	—	2.28	.12
Q889ABDCC	76 x 74 x 79	Clear	82 x 80	Q88PD	68 x 55	70 x 50	72	70	15	58	44	37	—	58	3
	2.99 x 2.91 x 3.11		3.23 x 3.15		2.68 x 2.17	2.76 x 1.97	2.83	2.76	.59	2.28	1.73	1.46	—	2.28	.12
Q1289ABD	113 x 73 x 79	Opaque	120 x 80	Q128PD	91 x 65	108 x 50	72	70	15	58	82	—	—	58	3
	4.45 x 2.87 x 3.11		4.72 x 3.15		3.58 x 2.56	4.25 x 1.97	2.83	2.76	.59	2.28	3.23	—	—	2.28	.12
Q1289ABDCC	113 x 73 x 79	Clear	120 x 80	Q128PD	91 x 65	108 x 50	72	70	15	58	82	—	—	58	3
	4.45 x 2.87 x 3.11		4.72 x 3.15		3.58 x 2.56	4.25 x 1.97	2.83	2.76	.59	2.28	3.23	—	—	2.28	.12
Q1689ABD	153 x 73 x 79	Opaque	160 x 80	Q168PD	131 x 65	148 x 50	72	70	15	58	122	—	—	136	3
	6.02 x 2.87 x 3.11		6.30 x 3.15		5.16 x 2.56	5.83 x 1.97	2.83	2.76	.59	2.28	4.80	—	—	5.35	.12
Q1689ABDCC	153 x 73 x 79	Clear	160 x 80	Q168PD	131 x 65	148 x 50	72	70	15	58	122	—	—	136	3
	6.02 x 2.87 x 3.11		6.30 x 3.15		5.16 x 2.56	5.83 x 1.97	2.83	2.76	.59	2.28	4.80	—	—	5.35	.12
Q12129ABD	116 x 114 x 79	Opaque	122 x 120	Q1212PD	105 x 93	110 x 90	72	70	15	98	84	97	—	98	3
	4.57 x 4.49 x 3.11		4.80 x 4.72		4.13 x 3.66	4.33 x 3.54	2.83	2.76	.59	3.86	3.31	3.82	—	3.86	.12
Q12129ABDCC	116 x 114 x 79	Clear	122 x 120	Q1212PD	105 x 93	110 x 90	72	70	15	98	84	97	—	98	3
	4.57 x 4.49 x 3.11		4.80 x 4.72		4.13 x 3.66	4.33 x 3.54	2.83	2.76	.59	3.86	3.31	3.82	—	3.86	.12
Q20129ABD	193 x 113 x 79	Opaque	200 x 120	Q2012PD	170 x 100	188 x 90	72	70	15	90	160	40	176	3	
	7.60 x 4.45 x 3.11		7.87 x 4.72		6.69 x 3.94	7.40 x 3.54	2.83	2.76	.59	3.54	6.30	1.67	—	6.93	.12
Q20129ABDCC	193 x 113 x 79	Clear	200 x 120	Q2012PD	170 x 100	188 x 90	72	70	15	90	160	40	176	3	
	7.60 x 4.45 x 3.11		7.87 x 4.72		6.69 x 3.94	7.40 x 3.54	2.83	2.76	.59	3.54	6.30	1.67	—	6.93	.12
Q30239ABD	293 x 223 x 79	Opaque	300 x 230	Q3023PD	265 x 210	288 x 200	73	55	30	198	255	160	275	4	
	11.54 x 8.78 x 3.11		11.81 x 9.05		10.43 x 8.27	11.34 x 7.87	2.87	2.17	1.18	7.80	10.04	6.30	10.83	.16	
Q30239ABDCC	293 x 223 x 79	Clear	300 x 230	Q3023PD	265 x 210	288 x 200	73	55	30	198	255	160	275	4	
	11.54 x 8.78 x 3.11		11.81 x 9.05		10.43 x 8.27	11.34 x 7.87	2.87	2.17	1.18	7.80	10.04	6.30	10.83	.16	
Q16129ABD	153 x 113 x 84	Opaque	160 x 120	Q1612PD	130 x 100	148 x 90	78	60	30	90	120	—	—	136	3
	6.02 x 4.45 x 3.31		6.30 x 4.72		5.12 x 3.94	5.83 x 3.54	3.07	2.36	1.18	3.54	4.72	—	—	5.35	.12
Q16129ABDCC	153 x 113 x 84	Clear	160 x 120	Q1612PD	130 x 100	148 x 90	78	60	30	90	120	—	—	136	3
	6.02 x 4.45 x 3.31		6.30 x 4.72		5.12 x 3.94	5.83 x 3.54	3.07	2.36	1.18	3.54	4.72	—	—	5.35	.12
Q24169ABD	233 x 153 x 84	Opaque	240 x 160	Q2416PD	211 x 148	228 x 130	78	75	15	138	202	75	215	4	
	9.17 x 6.02 x 3.31		9.45 x 6.30		8.31 x 5.83	8.98 x 5.12	3.07	2.95	.59	5.43	7.95	2.95	8.46	.16	
Q24169ABDCC	233 x 153 x 84	Clear	240 x 160	Q2416PD	211 x 148	228 x 130	78	75	15	138	202	75	215	4	
	9.17 x 6.02 x 3.31		9.45 x 6.30		8.31 x 5.83	8.98 x 5.12	3.07	2.95	.59	5.43	7.95	2.95	8.46	.16	
Q302311ABD	293 x 223 x 104	Opaque	300 x 230	Q3023PD	265 x 210	288 x 200	98	55	55	198	255	160	275	4	
	11.54 x 8.78 x 4.09		11.81 x 9.06		10.43 x 8.27	11.34 x 7.87	3.86	2.17	2.17	7.80	10.04	6.30	10.83	.16	
Q302311ABDCC	293 x 223 x 104	Clear	300 x 230	Q3023PD	265 x 210	288 x 200	98	55	55	198	255	160	275	4	
	11.54 x 8.78 x 4.09		11.81 x 9.06		10.43 x 8.27	11.34 x 7.87	3.86	2.17	2.17	7.80	10.04	6.30	10.83	.16	
Q241612ABD	233 x 153 x 114	Opaque	240 x 160	Q2416PD	211 x 148	228 x 130	108	75	45	75	202	75	215	4	
	9.17 x 6.02 x 4.49		9.45 x 6.30		8.31 x 5.83	8.98 x 5.12	4.25	2.95	1.77	2.95	7.95	2.95	8.46	.16	
Q241612ABDCC	223 x 153 x 114	Clear	240 x 160	Q2416PD	211 x 148	228 x 130	108	75	45	75	202	75	215	4	
	9.17 x 6.02 x 4.49		9.45 x 6.30		8.31 x 5.83	8.98 x 5.12	4.25	2.95	1.77	2.95	7.95	2.95	8.46	.16	

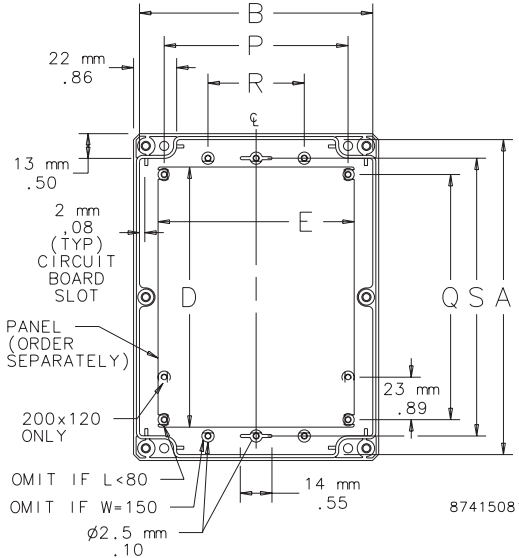
QLINE® D



TOP VIEW



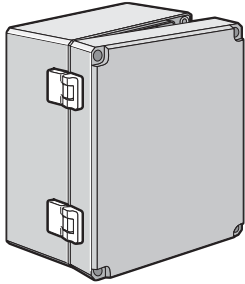
SECTION C-C



TOP VIEW WITH COVER REMOVED

QLINE® D

Hinge Kit

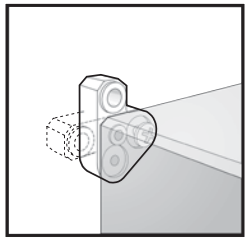


Hinge Kit includes two polyamide hinges, eight M4 self-tapping, plated screws, eight flat washers and drilling templates. Use on all QLINE® D enclosures. *Hinge Kit meets Type 4 requirements.*

Bulletin: Q41Y

Catalog Number
QDEHK

Mounting Bracket Kit

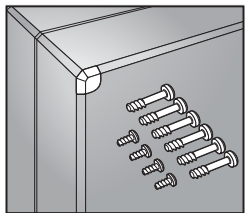


Mounting Bracket Kit has four polycarbonate brackets and four M4 self-tapping, plated screws. Kit is field-installable. Use on all QLINE® D enclosures. Maintains listed ratings for enclosure.

Bulletin: Q41Y

Catalog Number
QDMFK

Hardware Kit

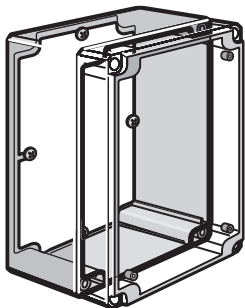


Hardware Kit includes six self-tapping, stainless steel cover screws, four self-tapping plated panel screws and six removable plastic caps that fit over the screws to provide tamper resistance as well as a clean aesthetic appearance. This kit is offered as a replacement kit for lost or damaged hardware originally furnished with the enclosure.

Bulletin: Q41Y

Catalog Number
QDHK

Panels



Bulletin: Q41Y

Catalog Number	Panel Size D x E mm/in.	Mounting G x H mm/in.
Q88PD	68 x 55 2.68 x 2.17	70 x 50 2.76 x 1.97
Q128PD	91 x 65 3.58 x 2.56	108 x 50 4.25 x 1.97
Q168PD	131 x 65 5.16 x 2.56	148 x 50 5.83 x 1.97
Q1212PD	105 x 93 4.13 x 3.66	110 x 90 4.33 x 3.54
Q1612PD	130 x 100 5.12 x 3.94	148 x 90 5.83 x 3.54
Q2012PD	170 x 100 6.69 x 3.94	188 x 90 7.40 x 3.54
Q2015PD	170 x 128 6.69 x 5.04	188 x 120 7.40 x 4.72
Q2416PD	211 x 148 8.31 x 5.83	228 x 130 8.98 x 5.12
Q3023PD	265 x 210 10.43 x 8.27	288 x 200 11.34 x 7.87

QLINE® D

Notes

QLINE® D

QLINE® D, EMC, Type 4X



Industry Standards

UL 508A Listed; Type 4, 4X, 12, 13
 cUL Listed per CSA C22.2 No 94; Type 4, 4X, 12, 13; File No. E61997
 Enclosure flammability evaluated per UL 508A

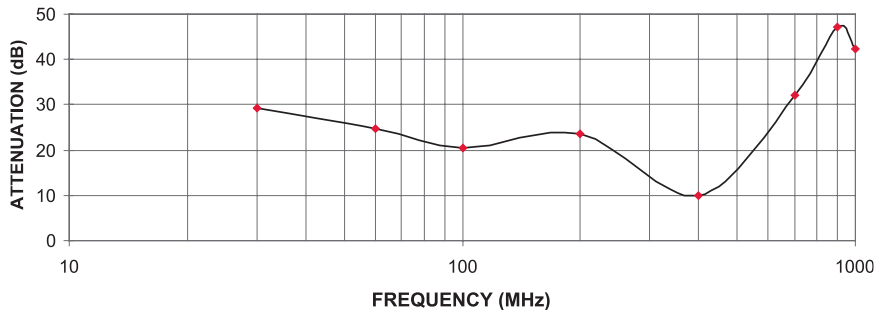
NEMA/EEMAC Type 4, 4X, 12, 13
 IEC 60529, IP66

Standard Product

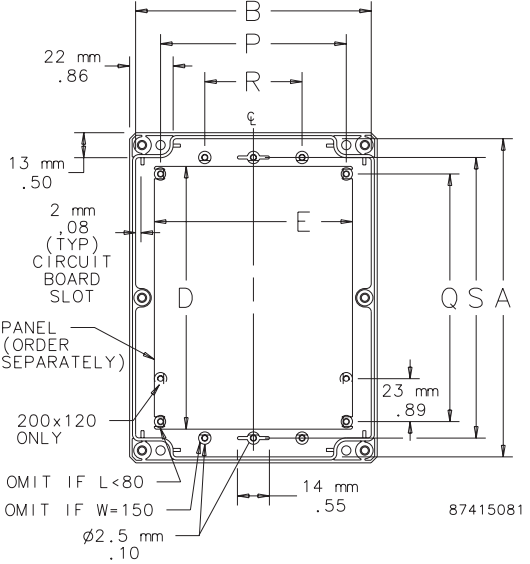
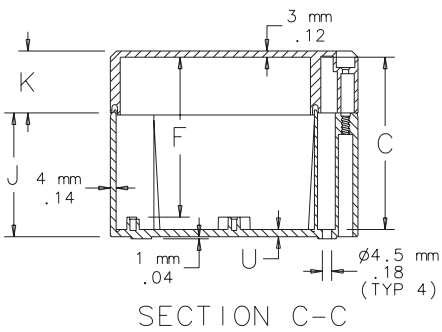
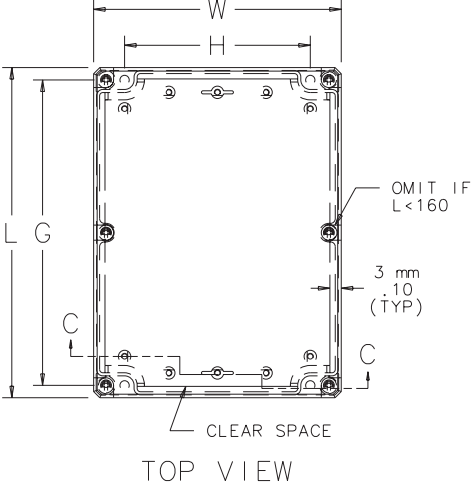
Catalog Number	External Dimensions		Internal Dimensions		Panel	Panel Size		Mounting							
	AxBxC mm/in.	LxW mm/in.	AxBxC mm/in.	AxBxC mm/in.		DxE mm/in.	GxH mm/in.	F mm/in.	J mm/in.	K mm/in.	P mm/in.	Q mm/in.	R mm/in.	S mm/in.	U mm/in.
Q1286PCEMC	120 x 80 x 55	120 x 80	114 x 74 x 49	Q128PD	91 x 65	108 x 50	42	40	15	58	82	—	96	3	
	4.70 x 3.10 x 2.20	4.72 x 3.15	4.47 x 2.89 x 1.93	Q128PD	3.58 x 2.56	4.25 x 1.97	1.65	1.57	0.59	2.28	3.21	—	3.78	0.12	
Q1289PCEMC	120 x 80 x 85	120 x 80	113 x 73 x 79	Q128PD	91 x 65	108 x 50	72	70	15	58	82	—	96	3	
	4.70 x 3.10 x 3.30	4.72 x 3.15	4.45 x 2.87 x 3.11	Q128PD	3.58 x 2.56	4.25 x 1.97	2.83	2.76	0.59	2.28	3.21	—	3.78	0.12	
Q16129PCEMC	160 x 120 x 90	160 x 120	153 x 113 x 84	Q1612PD	130 x 100	148 x 90	77.5	60	30	90	120	—	136	3	
	6.30 x 4.70 x 3.50	6.30 x 4.72	6.02 x 4.45 x 3.29	Q1612PD	5.12 x 3.94	5.83 x 3.54	3.05	2.36	1.18	3.54	4.72	—	5.35	0.12	
Q1689PCEMC	160 x 80 x 85	160 x 80	153 x 73 x 79	Q168PD	131 x 65	148 x 50	72	70	15	58	122	—	136	3	
	6.30 x 3.10 x 3.30	6.30 x 3.15	6.02 x 2.87 x 3.11	Q168PD	5.16 x 2.56	5.83 x 1.97	2.83	2.76	0.59	2.28	4.78	—	5.35	0.12	
Q20129PCEMC	200 x 120 x 85	200 x 120	193 x 113 x 79	Q2012PD	170 x 100	188 x 90	72	70	15	90	160	40	176	3	
	7.90 x 4.70 x 3.30	7.87 x 4.72	7.60 x 4.45 x 3.11	Q2012PD	6.69 x 3.94	7.40 x 3.54	2.83	2.76	0.59	3.54	6.30	1.57	6.93	0.12	
Q24169PCEMC	240 x 160 x 90	240 x 160	233 x 153 x 84	Q2416PD	211 x 148	228 x 130	77.5	75	15	138	202	75	215	3.5	
	9.40 x 6.30 x 3.50	9.45 x 6.30	9.17 x 6.02 x 3.29	Q2416PD	8.31 x 5.83	8.98 x 5.12	3.05	2.95	0.59	5.43	7.93	2.95	8.46	0.14	

Purchase panels separately.

Q1286PCEMC QLINE® D Enclosure Shielding Effectiveness



QLINE® D



QLINE® E
QLINE® E, Type 4X

Industry Standards
Polycarbonate Enclosure

UL 508A Listed; Type 4, 4X, 6, 12, 13; File No. E61997
 cUL Listed per CSA C22.2 No 94; Type 4, 4X, 6, 12, 13; File No. E61997
 Enclosure flammability evaluated per UL 508A

NEMA/EEMAC Type 4, 4X, 6, 12, 13
 CSA File No. 42186: Type 4, 4X, 12, 13
 IEC 60529, IP67

ABS Enclosure

NEMA/EEMAC Type 4, 4X, 6, 12, 13
 IEC 60529, IP67

Application

QLINE® E Enclosures house larger controls, provide additional size-range options and offer greater internal mounting flexibility than smaller QLINE products. Featuring contoured bodies with flush cover screws, they are functional in corrosive environments and can withstand occasional submersion.

The ABS series shares the same features and similar physical properties as the polycarbonate but is a more economical, non-UL rated alternative.

Specifications

- Body is impact-resistant polycarbonate for PCE series and ABS for ABE series
- Opaque and clear covers are impact-resistant polycarbonate for PCE, opaque covers are ABS for ABE series
- Polycarbonate and ABS material is easily punched, drilled, filed or sawed
- Cross-point flush cover screws are strong, durable polyamide
- Cover includes a molded-in wire lead hole
- Mounting tracks along body side walls for PC card installation
- Molded internal pads for mounting optional panels, rails and other components
- Seamless foam-in-place gasket assures water-tight and dust-tight seal
- Material is halogen free

Finish

Polycarbonate and ABS enclosure material is RAL 7035 light-gray inside and out. Optional panels are plated steel.

Accessories

- See also Accessories.*
- Brass Inserts
 - Hardware Kit
 - Hinge Kit
 - HOL-SEALERS™ Non-Metallic Hole Seals
 - Mounting Bracket Kit

Modification and Customization

Hoffman excels at modifying and customizing products to your specifications. Contact your local Hoffman sales office or distributor for complete information.

Bulletin: Q41

Standard Product Polycarbonate

Catalog Number	AxBxC mm/in.	Cover Style	External Dimensions		Panel Size D x E mm/in.	Mounting G x H mm/in.	F mm/in.	K mm/in.	P mm/in.	Q mm/in.	S mm/in.
			L x W mm/in.	Panel							
Q1388PCE	119 x 69 x 67	Opaque	125 x 75	Q138PE	98 x 48	110 x 60	61	25	40	75	90
	4.69 x 2.72 x 2.64		4.92 x 2.95		3.86 x 1.89	4.33 x 2.36	2.40	0.98	1.57	2.95	3.54
Q1388PCECC	119 x 69 x 67	Clear	125 x 75	Q138PE	98 x 48	110 x 60	61	25	40	75	90
	4.69 x 2.72 x 2.64		4.92 x 2.95		3.86 x 1.89	4.33 x 2.36	2.40	0.98	1.57	2.95	3.54
Q13138PCE	119 x 119 x 67	Opaque	125 x 125	Q1313PE	98 x 98	110 x 110	61	25	90	75	90
	4.69 x 4.69 x 2.64		4.92 x 4.92		3.86 x 3.86	4.33 x 4.33	2.40	0.98	3.54	2.95	3.54
Q13138PCECC	119 x 119 x 67	Clear	125 x 125	Q1313PE	98 x 98	110 x 110	61	25	90	75	90
	4.69 x 4.69 x 2.64		4.92 x 4.92		3.86 x 3.86	4.33 x 4.33	2.40	0.98	3.54	2.95	3.54
Q18138PCE	169 x 119 x 67	Opaque	175 x 125	Q1813PE	148 x 98	160 x 110	61	25	90	100	140
	6.65 x 4.69 x 2.64		6.89 x 4.92		5.83 x 3.86	6.30 x 4.33	2.40	0.98	3.54	3.94	5.51
Q18138PCECC	169 x 119 x 67	Clear	175 x 125	Q1813PE	148 x 98	160 x 110	61	25	90	100	140
	6.65 x 4.69 x 2.64		6.89 x 4.92		5.83 x 3.86	6.30 x 4.33	2.40	0.98	3.54	3.94	5.51
Q18188PCE	169 x 169 x 67	Opaque	175 x 175	Q1818PE	148 x 148	160 x 160	61	25	140	125	140
	6.65 x 6.65 x 2.64		6.89 x 6.89		5.83 x 5.83	6.30 x 6.30	2.40	0.98	5.51	4.92	5.51
Q18188PCECC	169 x 169 x 67	Clear	175 x 175	Q1818PE	148 x 148	160 x 160	61	25	140	125	140
	6.65 x 6.65 x 2.64		6.89 x 6.89		5.83 x 5.83	6.30 x 6.30	2.40	0.98	5.51	4.92	5.51
Q25188PCE	244 x 169 x 67	Opaque	250 x 175	Q2518PE	223 x 148	235 x 160	61	25	139	202	215
	9.61 x 6.65 x 2.64		9.84 x 6.89		8.78 x 5.83	9.25 x 6.30	2.40	0.98	5.47	7.95	8.46
Q25188PCECC	244 x 169 x 67	Clear	250 x 175	Q2518PE	223 x 148	235 x 160	61	25	139	202	215
	9.61 x 6.65 x 2.64		9.84 x 6.89		8.78 x 5.83	9.25 x 6.30	2.40	0.98	5.47	7.95	8.46
Q13810PCE	119 x 69 x 92	Opaque	125 x 75	Q138PE	98 x 48	110 x 60	86	50	40	75	90
	4.69 x 2.72 x 3.62		4.92 x 2.95		3.86 x 1.89	4.33 x 2.36	3.39	1.97	1.57	2.95	3.54
Q13810PCECC	119 x 69 x 92	Clear	125 x 75	Q138PE	98 x 48	110 x 60	86	50	40	75	90
	4.69 x 2.72 x 3.62		4.92 x 2.95		3.86 x 1.89	4.33 x 2.36	3.39	1.97	1.57	2.95	3.54
Q131310PCE	119 x 119 x 92	Opaque	125 x 125	Q1313PE	98 x 98	110 x 110	86	50	90	75	90
	4.69 x 4.69 x 3.62		4.92 x 4.92		3.86 x 3.86	4.33 x 4.33	3.39	1.97	3.54	2.95	3.54
Q131310PCECC	119 x 119 x 92	Clear	125 x 125	Q1313PE	98 x 98	110 x 110	86	50	90	75	90
	4.69 x 4.69 x 3.62		4.92 x 4.92		3.86 x 3.86	4.33 x 4.33	3.39	1.97	3.54	2.95	3.54
Q181310PCE	169 x 119 x 92	Opaque	175 x 125	Q1813PE	148 x 98	160 x 110	86	50	90	100	140
	6.65 x 4.69 x 3.62		6.89 x 4.92		5.83 x 3.86	6.30 x 4.33	3.39	1.97	3.54	3.94	5.51
Q181310PCECC	169 x 119 x 92	Clear	175 x 125	Q1813PE	148 x 98	160 x 110	86	50	90	100	140
	6.65 x 4.69 x 3.62		6.89 x 4.92		5.83 x 3.86	6.30 x 4.33	3.39	1.97	3.54	3.94	5.51
Q181810PCE	169 x 169 x 92	Opaque	175 x 175	Q1818PE	148 x 148	160 x 160	86	50	140	125	140
	6.65 x 6.65 x 3.62		6.89 x 6.89		5.83 x 5.83	6.30 x 6.30	3.39	1.97	5.51	4.92	5.51
Q181810PCECC	169 x 169 x 92	Clear	175 x 175	Q1818PE	148 x 148	160 x 160	86	50	140	125	140
	6.65 x 6.65 x 3.62		6.89 x 6.89		5.83 x 5.83	6.30 x 6.30	3.39	1.97	5.51	4.92	5.51
Q251810PCE	244 x 169 x 92	Opaque	250 x 175	Q2518PE	223 x 148	235 x 160	86	50	139	202	215
	9.61 x 6.65 x 3.62		9.84 x 6.89		8.78 x 5.83	9.25 x 6.30	3.39	1.97	5.47	7.95	8.46
Q251810PCECC	244 x 169 x 92	Clear	250 x 175	Q2518PE	223 x 148	235 x 160	86	50	139	202	215
	9.61 x 6.65 x 3.62		9.84 x 6.89		8.78 x 5.83	9.25 x 6.30	3.39	1.97	5.47	7.95	8.46
Q13813PCE	119 x 69 x 117	Opaque	125 x 75	Q138PE	98 x 48	110 x 60	111	75	40	75	90
	4.69 x 2.72 x 4.61		4.92 x 2.95		3.86 x 1.89	4.33 x 2.36	4.37	2.95	1.57	2.95	3.54
Q13813PCECC	119 x 69 x 117	Clear	125 x 75	Q138PE	98 x 48	110 x 60	111	75	40	75	90
	4.69 x 2.72 x 4.61		4.92 x 2.95		3.86 x 1.89	4.33 x 2.36	4.37	2.95	1.57	2.95	3.54
Q131313PCE	119 x 119 x 117	Opaque	125 x 125	Q1313PE	98 x 98	110 x 110	111	75	90	75	90
	4.69 x 4.69 x 4.61		4.92 x 4.92		3.86 x 3.86	4.33 x 4.33	4.37	2.95	3.54	2.95	3.54
Q131313PCECC	119 x 119 x 117	Clear	125 x 125	Q1313PE	98 x 98	110 x 110	111	75	90	75	90
	4.69 x 4.69 x 4.61		4.92 x 4.92		3.86 x 3.86	4.33 x 4.33	4.37	2.95	3.54	2.95	3.54
Q181313PCE	169 x 119 x 117	Opaque	175 x 125	Q1813PE	148 x 98	160 x 110	111	75	90	100	140
	6.65 x 4.69 x 4.61		6.89 x 4.92		5.83 x 3.86	6.30 x 4.33	4.37	2.95	3.54	3.94	5.51
Q181313PCECC	169 x 119 x 117	Clear	175 x 125	Q1813PE	148 x 98	160 x 110	111	75	90	100	140
	6.65 x 4.69 x 4.61		6.89 x 4.92		5.83 x 3.86	6.30 x 4.33	4.37	2.95	3.54	3.94	5.51
Q181813PCE	169 x 169 x 117	Opaque	175 x 175	Q1818PE	148 x 148	160 x 160	111	75	140	125	140
	6.65 x 6.65 x 4.61		6.89 x 6.89		5.83 x 5.83	6.30 x 6.30	4.37	2.95	5.51	4.92	5.51
Q181813PCECC	169 x 169 x 117	Clear	175 x 175	Q1818PE	148 x 148	160 x 160	111	75	140	125	140
	6.65 x 6.65 x 4.61		6.89 x 6.89		5.83 x 5.83	6.30 x 6.30	4.37	2.95	5.51	4.92	5.51
Q181315PCE	169 x 119 x 142	Opaque	175 x 125	Q1813PE	148 x 98	160 x 110	136	100	90	100	140
	6.65 x 4.69 x 5.59		6.89 x 4.92		5.83 x 3.86	6.30 x 4.33	5.35	3.94	3.54	3.94	5.51
Q181315PCECC	169 x 119 x 142	Clear	175 x 125	Q1813PE	148 x 98	160 x 110	136	100	90	100	140
	6.65 x 4.69 x 5.59		6.89 x 4.92		5.83 x 3.86	6.30 x 4.33	5.35	3.94	3.54	3.94	5.51
Q181815PCE	169 x 169 x 142	Opaque	175 x 175	Q1818PE	148 x 148	160 x 160	136	100	140	125	140
	6.65 x 6.65 x 5.59		6.89 x 6.89		5.83 x 5.83	6.30 x 6.30	5.35	3.94	5.51	4.92	5.51
Q181815PCECC	169 x 169 x 142	Clear	175 x 175	Q1818PE	148 x 148	160 x 160	136	100	140	125	140
	6.65 x 6.65 x 5.59		6.89 x 6.89		5.83 x 5.83	6.30 x 6.30	5.35	3.94	5.51	4.92	5.51
Q251815PCE	244 x 169 x 142	Opaque	250 x 175	Q2518PE	223 x 148	235 x 160	136	100	139	202	215
	9.61 x 6.65 x 5.59		9.84 x 6.89		8.78 x 5.83	9.25 x 6.30	5.35	3.94	5.47	7.95	8.46
Q251815PCECC	244 x 169 x 142	Clear	250 x 175	Q2518PE	223 x 148	235 x 160	136	100	139	202	215
	9.61 x 6.65 x 5.59		9.84 x 6.89		8.78 x 5.83	9.25 x 6.30	5.35	3.94	5.47	7.95	8.46

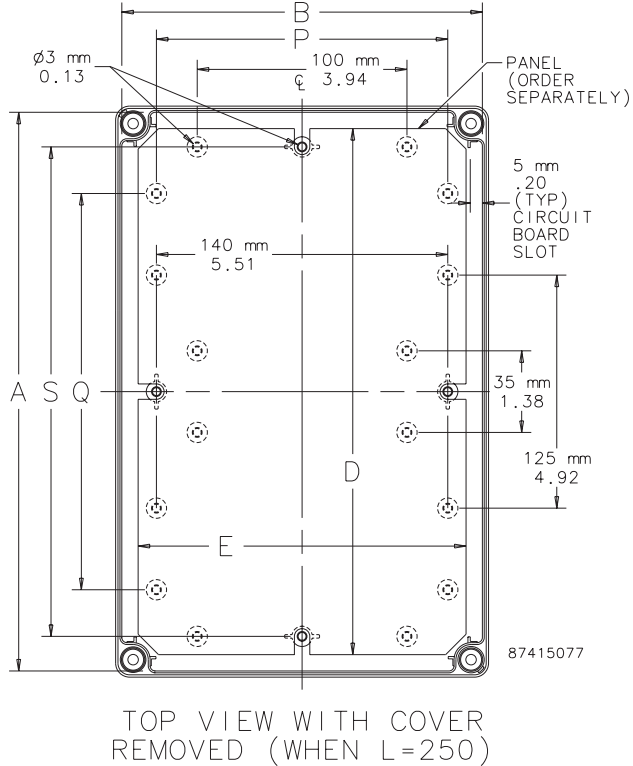
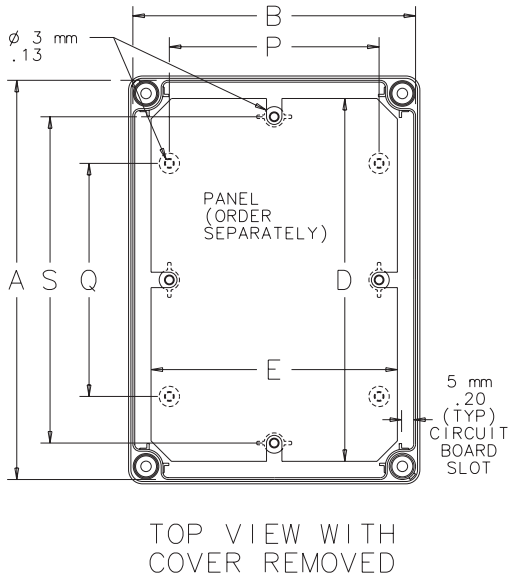
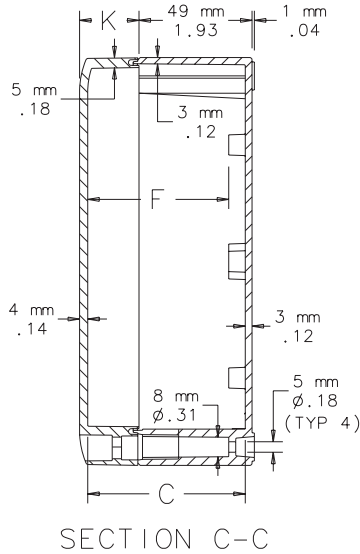
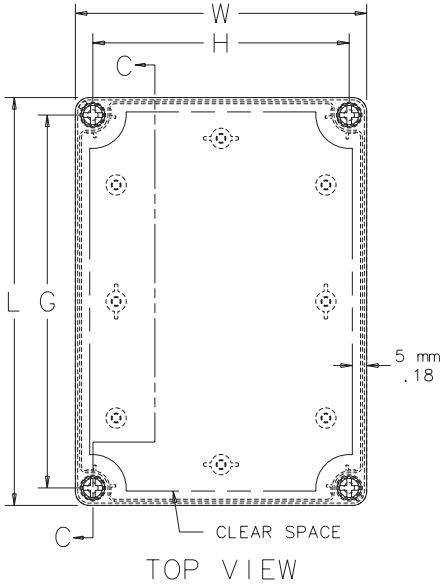
A x B x C are internal dimensions.

Purchase panels separately.

QLINE® E
Standard Product ABS

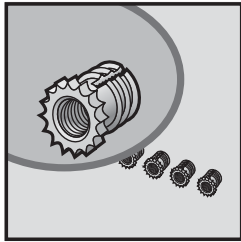
Catalog Number	AxBxC mm/in.	Cover Style	External Dimensions L x W mm/in.	Panel	Panel Size D x E mm/in.	Mounting G x H mm/in.	F mm/in.	K mm/in.	P mm/in.	Q mm/in.	S mm/in.
Q1388ABE	119 x 69 x 67	Opaque	125 x 75	Q138PE	98 x 48	110 x 60	61	25	40	75	90
	4.69 x 2.72 x 2.64		4.92 x 2.95		3.86 x 1.89	4.33 x 2.36	2.40	.98	1.57	2.95	3.54
Q1388ABECC	119 x 69 x 67	Clear	125 x 75	Q138PE	98 x 48	110 x 60	61	25	40	75	90
	4.69 x 2.72 x 2.64		4.92 x 2.95		3.86 x 1.89	4.33 x 2.36	2.40	.98	1.57	2.95	3.54
Q13138ABE	119 x 119 x 67	Opaque	125 x 125	Q1313PE	98 x 98	110 x 110	61	25	90	75	90
	4.69 x 4.69 x 2.64		4.92 x 4.92		3.86 x 3.86	4.33 x 4.33	2.40	.98	3.54	2.95	3.54
Q13138ABECC	119 x 119 x 67	Clear	125 x 125	Q1313PE	98 x 98	110 x 110	61	25	90	75	90
	4.69 x 4.69 x 2.64		4.92 x 4.92		3.86 x 3.86	4.33 x 4.33	2.40	.98	3.54	2.95	3.54
Q18138ABE	169 x 119 x 67	Opaque	175 x 125	Q1813PE	148 x 98	160 x 110	61	25	90	100	140
	6.65 x 4.69 x 2.64		6.89 x 4.92		5.83 x 3.86	6.30 x 4.33	2.40	.98	3.54	3.94	5.51
Q18138ABECC	169 x 119 x 67	Clear	175 x 125	Q1813PE	148 x 98	160 x 110	61	25	90	100	140
	6.65 x 4.69 x 2.64		6.89 x 4.92		5.83 x 3.86	6.30 x 4.33	2.40	.98	3.54	3.94	5.51
Q18188ABE	169 x 169 x 67	Opaque	175 x 175	Q1818PE	148 x 148	160 x 160	61	25	140	125	140
	6.65 x 6.65 x 2.64		6.89 x 6.89		5.83 x 5.83	6.30 x 6.30	2.40	.98	5.51	4.92	5.51
Q18188ABECC	169 x 169 x 67	Clear	175 x 175	Q1818PE	148 x 148	160 x 160	61	25	140	125	140
	6.65 x 6.65 x 2.64		6.89 x 6.89		5.83 x 5.83	6.30 x 6.30	2.40	.98	5.51	4.92	5.51
Q25188ABE	244 x 169 x 67	Opaque	250 x 175	Q2518PE	223 x 148	235 x 160	61	25	139	202	215
	9.61 x 6.65 x 2.64		9.84 x 6.89		8.78 x 5.83	9.25 x 6.30	2.40	.98	5.47	7.95	8.46
Q25188ABECC	244 x 169 x 67	Clear	250 x 175	Q2518PE	223 x 148	235 x 160	61	25	139	202	215
	9.61 x 6.65 x 2.64		9.84 x 6.89		8.78 x 5.83	9.25 x 6.30	2.40	.98	5.47	7.95	8.46
Q13810ABE	119 x 69 x 92	Opaque	125 x 75	Q138PE	98 x 48	110 x 60	86	50	40	75	90
	4.69 x 2.72 x 3.62		4.92 x 2.95		3.86 x 1.89	4.33 x 2.36	3.39	1.97	1.57	2.95	3.54
Q13810ABECC	119 x 69 x 92	Clear	125 x 75	Q138PE	98 x 48	110 x 60	86	50	40	75	90
	4.69 x 2.72 x 3.62		4.92 x 2.95		3.86 x 1.89	4.33 x 2.36	3.39	1.97	1.57	2.95	3.54
Q131310ABE	119 x 119 x 92	Opaque	125 x 125	Q1313PE	98 x 98	110 x 110	86	50	90	75	90
	4.69 x 4.69 x 3.62		4.92 x 4.92		3.86 x 3.86	4.33 x 4.33	3.39	1.97	3.54	2.95	3.54
Q131310ABECC	119 x 119 x 92	Clear	125 x 125	Q1313PE	98 x 98	110 x 110	86	50	90	75	90
	4.69 x 4.69 x 3.62		4.92 x 4.92		3.86 x 3.86	4.33 x 4.33	3.39	1.97	3.54	2.95	3.54
Q181310ABE	169 x 119 x 92	Opaque	175 x 125	Q1813PE	148 x 98	160 x 110	86	50	90	100	140
	6.65 x 4.69 x 3.62		6.89 x 4.92		5.83 x 3.86	6.30 x 4.33	3.39	1.97	3.54	3.94	5.51
Q181310ABECC	169 x 119 x 92	Clear	175 x 125	Q1813PE	148 x 98	160 x 110	86	50	90	100	140
	6.65 x 4.69 x 3.62		6.89 x 4.92		5.83 x 3.86	6.30 x 4.33	3.39	1.97	3.54	3.94	5.51
Q181810ABE	169 x 169 x 92	Opaque	175 x 175	Q1818PE	148 x 148	160 x 160	86	50	140	125	140
	6.65 x 6.65 x 3.62		6.89 x 6.89		5.83 x 5.83	6.30 x 6.30	3.39	1.97	5.51	4.92	5.51
Q181810ABECC	169 x 169 x 92	Clear	175 x 175	Q1818PE	148 x 148	160 x 160	86	50	140	125	140
	6.65 x 6.65 x 3.62		6.89 x 6.89		5.83 x 5.83	6.30 x 6.30	3.39	1.97	5.51	4.92	5.51
Q251810ABE	244 x 169 x 92	Opaque	250 x 175	Q2518PE	223 x 148	235 x 160	86	50	139	202	215
	9.61 x 6.65 x 3.62		9.84 x 6.89		8.78 x 5.83	9.25 x 6.30	3.39	1.97	5.47	7.95	8.46
Q251810ABECC	244 x 169 x 92	Clear	250 x 175	Q2518PE	223 x 148	235 x 160	86	50	139	202	215
	9.61 x 6.65 x 3.62		9.84 x 6.89		8.78 x 5.83	9.25 x 6.30	3.39	1.97	5.47	7.95	8.46
Q13813ABE	119 x 69 x 117	Opaque	125 x 75	Q138PE	98 x 48	110 x 60	111	75	40	75	90
	4.69 x 2.72 x 4.61		4.92 x 2.95		3.86 x 1.89	4.33 x 2.36	4.37	2.95	1.57	2.95	3.54
Q13813ABECC	119 x 69 x 117	Clear	125 x 75	Q138PE	98 x 48	110 x 60	111	75	40	75	90
	4.69 x 2.72 x 4.61		4.92 x 2.95		3.86 x 1.89	4.33 x 2.36	4.37	2.95	1.57	2.95	3.54
Q131313ABE	119 x 119 x 117	Opaque	125 x 125	Q1313PE	98 x 98	110 x 110	111	75	90	75	90
	4.69 x 4.69 x 4.61		4.92 x 4.92		3.86 x 3.86	4.33 x 4.33	4.37	2.95	3.54	2.95	3.54
Q131313ABECC	119 x 119 x 117	Clear	125 x 125	Q1313PE	98 x 98	110 x 110	111	75	90	75	90
	4.69 x 4.69 x 4.61		4.92 x 4.92		3.86 x 3.86	4.33 x 4.33	4.37	2.95	3.54	2.95	3.54
Q181313ABE	169 x 119 x 117	Opaque	175 x 125	Q1813PE	148 x 98	160 x 110	111	75	90	100	140
	6.65 x 4.69 x 4.61		6.89 x 4.92		5.83 x 3.86	6.30 x 4.33	4.37	2.95	3.54	3.94	5.51
Q181313ABECC	169 x 119 x 117	Clear	175 x 125	Q1813PE	148 x 98	160 x 110	111	75	90	100	140
	6.65 x 4.69 x 4.61		6.89 x 4.92		5.83 x 3.86	6.30 x 4.33	4.37	2.95	3.54	3.94	5.51
Q181813ABE	169 x 169 x 117	Opaque	175 x 175	Q1818PE	148 x 148	160 x 160	111	75	140	125	140
	6.65 x 6.65 x 4.61		6.89 x 6.89		5.83 x 5.83	6.30 x 6.30	4.37	2.95	5.51	4.92	5.51
Q181813ABECC	169 x 169 x 117	Clear	175 x 175	Q1818PE	148 x 148	160 x 160	111	75	140	125	140
	6.65 x 6.65 x 4.61		6.89 x 6.89		5.83 x 5.83	6.30 x 6.30	4.37	2.95	5.51	4.92	5.51
Q181315ABE	169 x 119 x 142	Opaque	175 x 125	Q1813PE	148 x 98	160 x 110	136	100	90	100	140
	6.65 x 4.69 x 5.59		6.89 x 4.92		5.83 x 3.86	6.30 x 4.33	5.35	3.94	3.54	3.94	5.51
Q181315ABECC	169 x 119 x 142	Clear	175 x 125	Q1813PE	148 x 98	160 x 110	136	100	90	100	140
	6.65 x 4.69 x 5.59		6.89 x 4.92		5.83 x 3.86	6.30 x 4.33	5.35	3.94	3.54	3.94	5.51
Q181815ABE	169 x 169 x 142	Opaque	175 x 175	Q1818PE	148 x 148	160 x 160	136	100	140	125	140
	6.65 x 6.65 x 5.59		6.89 x 6.89		5.83 x 5.83	6.30 x 6.30	5.35	3.94	5.51	4.92	5.51
Q181815ABECC	169 x 169 x 142	Clear	175 x 175	Q1818PE	148 x 148	160 x 160	136	100	140	125	140
	6.65 x 6.65 x 5.59		6.89 x 6.89		5.83 x 5.83	6.30 x 6.30	5.35	3.94	5.51	4.92	5.51
Q251815ABE	244 x 169 x 142	Opaque	250 x 175	Q2518PE	223 x 148	235 x 160	136	100	139	202	215
	9.61 x 6.65 x 5.59		9.84 x 6.89		8.78 x 5.83	9.25 x 6.30	5.35	3.94	5.47	7.95	8.46
Q251815ABECC	244 x 169 x 142	Clear	250 x 175	Q2518PE	223 x 148	235 x 160	136	100	139	202	215
	9.61 x 6.65 x 5.59		9.84 x 6.89		8.78 x 5.83	9.25 x 6.30	5.35	3.94	5.47	7.95	8.46

QLINE® E



QLINE® E

Brass Inserts

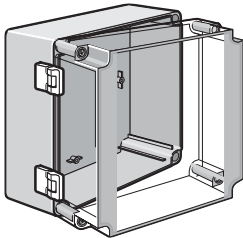


Self-tapping Brass Inserts fit into molded pads in the bottom of the enclosure. Inserts have an M2 internal machine screw thread and M4 self-tapping external thread.

Bulletin: Q41Y

Catalog Number	Description	Qty. Pkg.
QEBI	M2 thread inserts	4

Hinge Kit



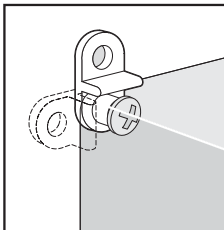
Includes two polyamid hinges, eight M4 self-tapping zinc-plated screws, eight flat washers and drilling template. Use on all QLINE® E enclosures.

Kit might not meet Type 4 requirements and should, therefore, be verified by customer.

Bulletin: Q41Y

Catalog Number
QDEHK

Mounting Bracket Kit

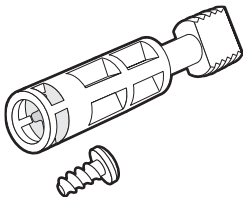


Kit includes four polycarbonate brackets and four M4 self-tapping, plated screws. Use on all QLINE® E enclosures. No modification to the enclosure is required for installation. Maintains listed ratings.

Bulletin: Q41Y

Catalog Number
QEMFK

Hardware Kit

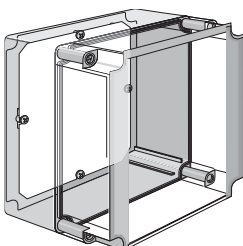


Four cross-point polyamide cover screws and four self-tapping plated screws used to mount optional panels, rails and other components. This kit is offered as a replacement kit for lost or damaged hardware originally furnished with the enclosure.

Bulletin: Q41Y

Catalog Number	Description	Fits QLINE Enclosure
QEHK35	35-mm screw	when C = 67 mm, 117 mm or 142 mm
QEHK60	60-mm screw	when C = 92 mm

Panels



Bulletin: Q41Y

Catalog Number	Panel Size D x E mm/in.
Q138PE	98 x 48 3.86 x 1.89
Q1313PE	98 x 98 3.86 x 3.86
Q1813PE	148 x 98 5.83 x 3.86
Q1818PE	148 x 148 5.83 x 5.83
Q2518PE	223 x 148 8.78 x 5.83

Notes

QLINE® E
QLINE® E, EMC, Type 4X

Application

Medium-size QLINE® E polycarbonate EMC enclosures have contoured bodies and flush cover screws for an attractive, contemporary appearance while also providing EMC protection in corrosive environments.

Specifications

- Body is impact-resistant polycarbonate
- EMC conductive coating in base and cover
- Gasket of silver/silicone
- Mounting holes molded directly under cover screws
- Screws provided for mounting optional panel
- Polycarbonate material is easily punched, drilled, filed or sawed
- Cross-point flush cover screws are strong, durable polyamide
- Mounting tracks along body side walls for PC card installation
- Molded internal pads for mounting optional panels, rails and other components

Finish

Enclosure material is RAL 7035 light-gray outside. Optional panels are conductive steel.

Bulletin: Q41EM

Industry Standards

UL 508A Listed; Type 4, 4X, 12, 13; File No. E61997
 cUL Listed per CSA C22.2 No 94: Type 4, 4X, 12, 13; File No. E61997
 Enclosure flammability evaluated per UL 508A

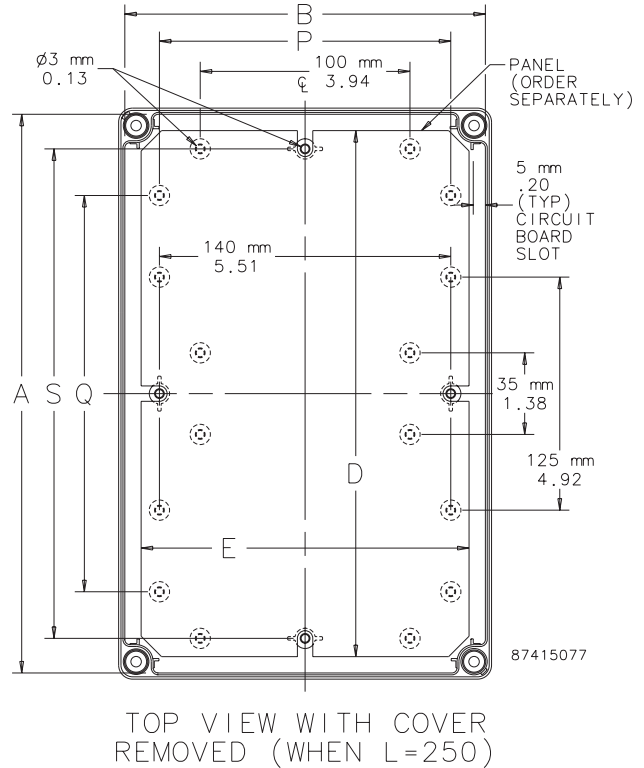
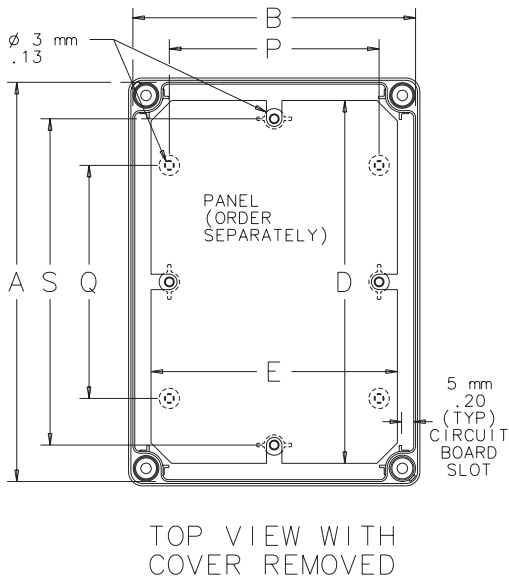
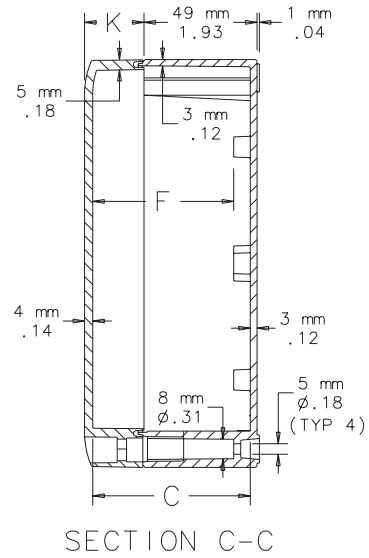
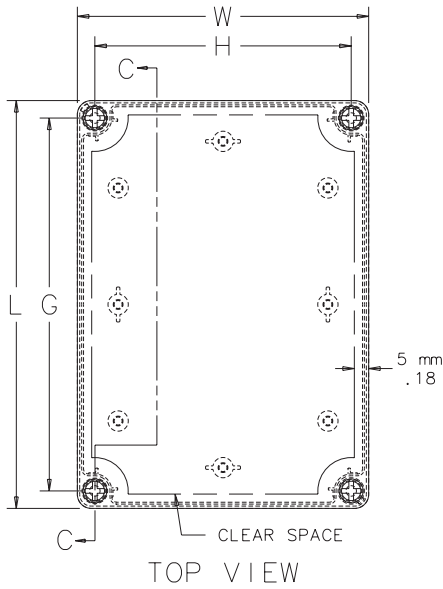
NEMA/EEMAC Type 4, 4X, 12, 13
 IEC 60529, IP66

Standard Product

Catalog Number	Ax B x C mm/in.	External Dimensions	Internal Dimensions	Panel	Panel Size		Mounting							
		L x W mm/in.	A x B x C mm/in.		D x E mm/in.	G x H mm/in.	F mm/in.	K mm/in.	P mm/in.	Q mm/in.	S mm/in.	T mm/in.	W mm/in.	X mm/in.
Q1388PCEMC	125 x 75 x 74	125 x 75	119 x 69 x 67	Q138PE	98 x 48	110 x 60	61	25	40	75	90	—	—	—
	4.90 x 3.00 x 2.90	4.92 x 2.95	4.67 x 2.70 x 2.65		3.86 x 1.89	4.33 x 2.36	2.38	0.98	1.57	2.95	3.54	—	—	—
Q13138PCEMC	125 x 125 x 74	125 x 125	119 x 119 x 67	Q1313PE	98 x 98	110 x 110	61	25	90	75	90	—	23	—
	4.90 x 4.90 x 2.90	4.92 x 4.92	4.67 x 4.67 x 2.65		3.86 x 3.86	4.33 x 4.33	2.38	0.98	3.54	2.95	3.54	—	0.89	—
Q131310PCEMC	125 x 125 x 99	125 x 125	119 x 119 x 92	Q1313PE	98 x 98	110 x 110	86	25	90	75	90	—	23	—
	4.90 x 4.90 x 3.90	4.92 x 4.92	4.67 x 4.67 x 3.64		3.86 x 3.86	4.33 x 4.33	3.37	0.98	3.54	2.95	3.54	—	0.89	—
Q18138PCEMC	175 x 125 x 74	175 x 125	169 x 119 x 67	Q1813PE	148 x 98	160 x 110	61	25	90	100	140	15	23	—
	6.90 x 4.90 x 2.90	6.89 x 4.92	6.63 x 4.67 x 2.65		5.83 x 3.86	6.30 x 4.33	2.38	0.98	3.54	3.94	5.51	0.59	0.89	—
Q181310PCEMC	175 x 125 x 99	175 x 125	169 x 119 x 92	Q1813PE	148 x 98	160 x 110	86	50	90	100	140	15	23	—
	6.90 x 4.90 x 3.90	6.89 x 4.92	6.63 x 4.67 x 3.64		5.83 x 3.86	6.30 x 4.33	3.37	1.97	3.54	3.94	5.51	0.59	0.89	—
Q18188PCEMC	175 x 175 x 74	175 x 175	169 x 169 x 67	Q1818PE	148 x 148	160 x 160	61	25	140	125	140	—	15	35
	6.90 x 6.90 x 2.90	6.89 x 6.89	6.63 x 6.63 x 2.65		5.83 x 5.83	6.30 x 6.30	2.38	0.98	5.51	4.92	5.51	—	0.59	1.38

Purchase panels separately.

QLINE® E



QLINE® I

QLINE® I, Type 4X

**Industry Standards****Polycarbonate Enclosure**

UL 508A Listed; Type 4, 4X, 12, 13; File No. E61997 cUL Listed per CSA C22.2 No 94; Type 4, 4X, 12, 13; File No. E61997 Enclosure flammability evaluated per UL 508A
--

NEMA/EEMAC Type 4, 4X, 12, 13
 CSA File No. 42186: Type 4, 4X, 12, 13
 IEC 60529, IP66

ABS Enclosure

NEMA/EEMAC Type 4, 4X, 12, 13
 IEC 60529, IP66

Application

The largest-sized QLINE® enclosure, QLINE I provides easy access and protects larger controls from corrosive environments. Choose from screw cover, hinge, internal mounting, variable depth and quick-release latch options to meet your design and security requirements. The ABS series shares the same features and similar physical properties as the polycarbonate but is a more economical, non-UL rated alternative.

Specifications

- Body is impact-resistant polycarbonate for PCI series and ABS for ABI series
- Opaque and clear covers are impact-resistant polycarbonate for PCI; opaque covers are ABS for ABI series
- Polycarbonate and ABS material is easily punched, drilled, filed or sawed
- Mounting holes molded directly under cover screws
- Molded internal pads for mounting optional panels, rails and other components
- Molded internal rails for mounting adjustable-depth panel kit
- Screws provided for mounting optional panel
- Optional extension rings are molded polycarbonate
- Cover includes a molded-in hole for wire lead
- Seamless foam-in-place gasket assures water-tight and dust-tight seal
- Material is halogen free

Screw Cover Enclosures have easy-to-remove covers attached to body with strong, durable polyamide cross-point cover screws.

Enclosures with Quick-Release Latches have polycarbonate hinges and polyester latches with a padlock provision.

Finish

Polycarbonate and ABS enclosure material is RAL 7035 light-gray inside and out. Optional panels are plated steel.

Accessories

See also *Accessories*.

Brass Insert Kit
 Cover Screw Kit
 Extension Rings
 Hardware Kit
 H2OMIT® Vent Drains, Type 4X
 Hinge Kit
 HOL-SEALERS™ Non-Metallic Hole Seals
 Mounting Bracket Kit
 Panel Depth Fitting

Modification and Customization

Hoffman excels at modifying and customizing products to your specifications. Contact your local Hoffman sales office or distributor for complete information.

Bulletin: Q41

QLINE® I

Catalog Number	Ax B x C mm/in.	Cover Style	Cover Fastener	External Dim's		Panel Size		Extension Ring	Mounting								
				L x W mm/in.	Panel mm/in.	D x E mm/in.	G x H mm/in.		F mm/in.	P mm/in.	Q mm/in.	R mm/in.	S mm/in.	T mm/in.	U mm/in.	Y mm/in.	Z mm/in.
Q403013PCIQRCCR	388 x 288 x 123	Clear	QR	400 x 300	Q4030PI	360 x 260	—	380 x 280	115	250	350	240	340	220	310	200	300
	15.28 x 11.34 x 4.84		Latch	15.75 x 11.81	14.17 x 10.24	14.96 x 11.02	4.53	9.84	13.78	9.45	13.39	8.66	12.20	7.87	11.81		
Q603013PCIQRRR	588 x 288 x 123	Opaque	QR	600 x 300	Q6030PI	560 x 260	—	580 x 280	115	250	550	240	540	220	510	200	500
	23.15 x 11.34 x 4.84		Latch	23.62 x 11.81	22.05 x 10.24	22.83 x 11.02	4.53	9.84	21.65	9.45	21.26	8.66	20.08	7.87	19.69		
Q603013PCIQRCCR	588 x 288 x 123	Clear	QR	600 x 300	Q6030PI	560 x 260	—	580 x 280	115	250	550	240	540	220	510	200	500
	23.15 x 11.34 x 4.84		Latch	23.62 x 11.81	22.05 x 10.24	22.83 x 11.02	4.53	9.84	21.65	9.45	21.26	8.66	20.08	7.87	19.69		
Q604013PCIQRRR	588 x 388 x 123	Opaque	QR	600 x 400	Q6040PI	560 x 360	—	580 x 380	115	350	550	340	540	320	510	300	500
	23.15 x 15.28 x 4.84		Latch	23.62 x 15.75	22.05 x 14.17	22.83 x 14.96	4.53	13.78	21.65	13.39	21.26	12.60	20.08	11.81	19.69		
Q604013PCIQRCCR	588 x 388 x 123	Clear	QR	600 x 400	Q6040PI	560 x 360	—	580 x 380	115	350	550	340	540	320	510	300	500
	23.15 x 15.28 x 4.84		Latch	23.62 x 15.75	22.05 x 14.17	22.83 x 14.96	4.53	13.78	21.65	13.39	21.26	12.60	20.08	11.81	19.69		
Q202018PCIQRRR	188 x 188 x 173	Opaque	QR	200 x 200	Q2020PI	160 x 160	—	180 x 180	115	150	150	140	140	120	110	100	100
	7.40 x 7.40 x 6.81		Latch	7.87 x 7.87	6.30 x 6.30	7.09 x 7.09	6.50	5.91	5.91	5.51	5.51	4.72	4.33	3.94	3.94		
Q202018PCIQRCCR	188 x 188 x 173	Clear	QR	200 x 200	Q2020PI	160 x 160	—	180 x 180	165	150	150	140	140	120	110	100	100
	7.40 x 7.40 x 6.81		Latch	7.87 x 7.87	6.30 x 6.30	7.09 x 7.09	6.50	5.91	5.91	5.51	5.51	4.72	4.33	3.94	3.94		
Q302018PCIQRRR	288 x 188 x 173	Opaque	QR	300 x 200	Q3020PI	260 x 160	—	280 x 180	165	150	250	140	240	120	110	100	200
	11.34 x 7.40 x 6.81		Latch	11.81 x 7.87	10.24 x 6.30	11.02 x 7.09	6.50	5.91	9.84	5.51	9.45	4.72	4.33	3.94	7.87		
Q302018PCIQRCCR	288 x 188 x 173	Clear	QR	300 x 200	Q3020PI	260 x 160	—	280 x 180	165	150	250	140	240	120	110	100	200
	11.34 x 7.40 x 6.81		Latch	11.81 x 7.87	10.24 x 6.30	11.02 x 7.09	6.50	5.91	9.84	5.51	9.45	4.72	4.33	3.94	7.87		
Q402018PCIQRRR	388 x 188 x 173	Opaque	QR	400 x 200	Q4020PI	360 x 160	—	380 x 180	165	150	350	140	340	120	310	100	300
	15.28 x 7.40 x 6.81		Latch	15.75 x 7.87	14.17 x 6.30	14.96 x 7.09	6.50	5.91	13.78	5.51	13.39	4.72	12.20	3.94	11.81		
Q402018PCIQRCCR	388 x 188 x 173	Clear	QR	400 x 200	Q4020PI	360 x 160	—	380 x 180	165	150	350	140	340	120	310	100	300
	15.28 x 7.40 x 6.81		Latch	15.75 x 7.87	14.17 x 6.30	14.96 x 7.09	6.50	5.91	13.78	5.51	13.39	4.72	12.20	3.94	11.81		
Q303018PCIQRRR	288 x 288 x 173	Opaque	QR	300 x 300	Q3030PI	260 x 260	—	280 x 280	165	250	250	240	240	220	210	200	200
	11.34 x 11.34 x 6.81		Latch	11.81 x 11.81	10.24 x 10.24	11.02 x 11.02	6.50	9.84	9.84	9.45	9.45	8.66	8.27	7.87	7.87		
Q303018PCIQRCCR	288 x 288 x 173	Clear	QR	300 x 300	Q3030PI	260 x 260	—	280 x 280	165	250	250	240	240	220	210	200	200
	11.34 x 11.34 x 6.81		Latch	11.81 x 11.81	10.24 x 10.24	11.02 x 11.02	6.50	9.84	9.84	9.45	9.45	8.66	8.27	7.87	7.87		
Q403018PCIQRRR	388 x 288 x 173	Opaque	QR	400 x 300	Q4030PI	360 x 260	—	380 x 280	165	250	350	240	340	220	310	200	300
	15.28 x 11.34 x 6.81		Latch	15.75 x 11.81	14.17 x 10.24	14.96 x 11.02	6.50	9.84	13.78	9.45	13.39	8.66	12.20	7.87	11.81		
Q403018PCIQRCCR	388 x 288 x 173	Clear	QR	400 x 300	Q4030PI	360 x 260	—	380 x 280	165	250	350	240	340	220	310	200	300
	15.28 x 11.34 x 6.81		Latch	15.75 x 11.81	14.17 x 10.24	14.96 x 11.02	6.50	9.84	13.78	9.45	13.39	8.66	12.20	7.87	11.81		
Q603018PCIQRRR	588 x 288 x 173	Opaque	QR	600 x 300	Q6030PI	560 x 260	—	580 x 280	165	250	550	240	540	220	510	200	500
	23.15 x 11.34 x 6.81		Latch	23.62 x 11.81	22.05 x 10.24	22.83 x 11.02	6.50	9.84	21.65	9.45	21.25	8.66	20.08	7.87	19.69		
Q603018PCIQRCCR	588 x 288 x 173	Clear	QR	600 x 300	Q6030PI	560 x 260	—	580 x 280	165	250	550	240	540	220	510	200	500
	23.15 x 11.37 x 6.81		Latch	23.62 x 11.81	22.05 x 10.24	22.83 x 11.02	6.50	9.84	21.65	9.45	21.26	8.66	20.08	7.87	19.69		
Q604018PCIQRRR	588 x 388 x 173	Opaque	QR	600 x 400	Q6040PI	560 x 360	—	580 x 380	165	350	550	340	540	320	510	300	500
	23.15 x 15.28 x 6.81		Latch	23.62 x 15.75	22.05 x 14.17	22.83 x 14.96	6.50	13.78	21.65	13.39	21.28	12.60	20.08	11.81	19.69		
Q604018PCIQRCCR	588 x 388 x 173	Clear	QR	600 x 400	Q6040PI	560 x 360	—	580 x 380	165	350	550	340	540	320	510	300	500
	23.15 x 15.28 x 6.81		Latch	23.62 x 15.75	22.05 x 14.17	22.83 x 14.96	6.50	13.78	21.65	13.39	21.26	12.60	20.08	11.81	19.69		

A x B x C are internal dimensions.

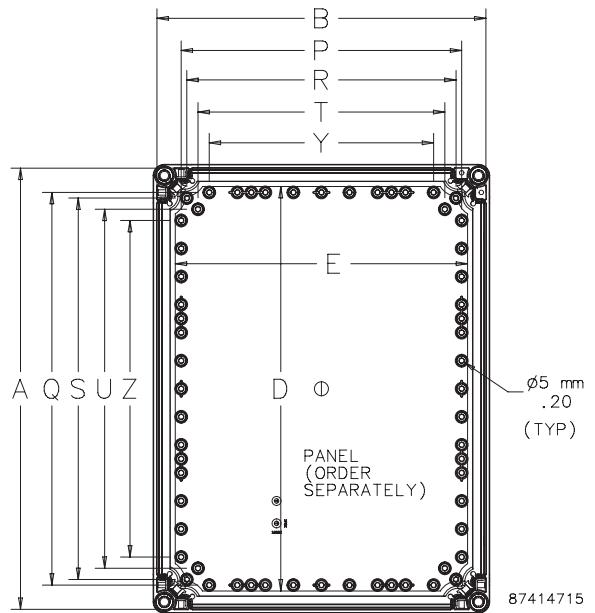
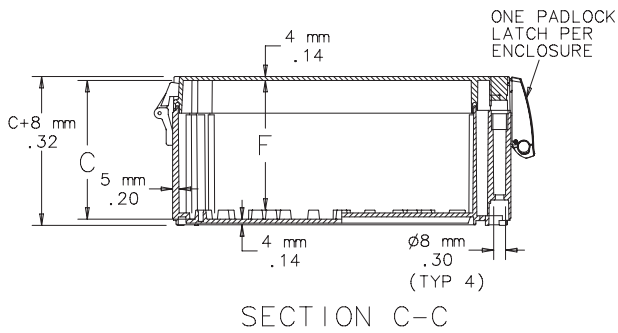
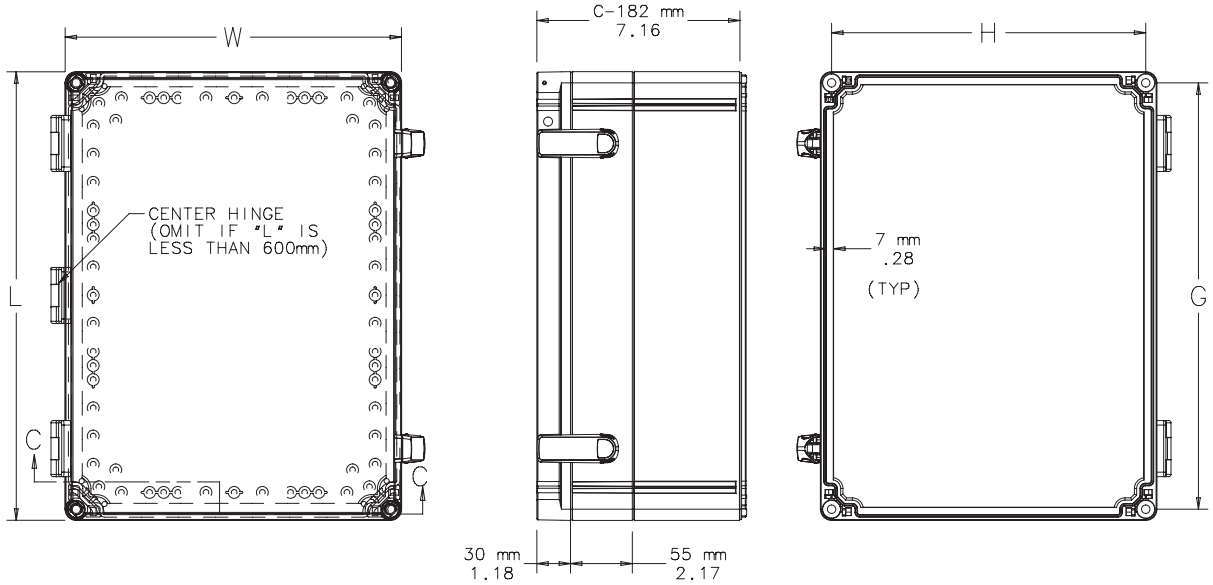
Purchase panels and extension rings separately.

Standard Product **ABS, Screw Cover**

Catalog Number	AxBxC mm/in.	Cover Style	External Dim's L x W mm/in.	Panel	Panel Size D x E mm/in.	Extension Ring	Mounting G x H mm/in.	F mm/in.	P mm/in.	Q mm/in.	R mm/in.	S mm/in.	T mm/in.	U mm/in.	Y mm/in.	Z mm/in.
Q202013ABI	188 x 188 x 123	Opaque	200 x 200	Q2020PI	160 x 160	Q2020EXTI	180 x 180	115	150	150	140	140	120	110	100	100
	7.40 x 7.40 x 4.84		7.87 x 7.87		6.30 x 6.30		7.09 x 7.09	4.53	5.91	5.91	5.51	5.51	4.72	4.33	3.94	3.94
Q202013ABICC	188 x 188 x 123	Clear	200 x 200	Q2020PI	160 x 160	Q2020EXTI	180 x 180	115	150	150	140	140	120	110	100	100
	7.40 x 7.40 x 4.84		7.87 x 7.87		6.30 x 6.30		7.09 x 7.09	4.53	5.91	5.91	5.51	5.51	4.72	4.33	3.94	3.94
Q302013ABI	288 x 188 x 123	Opaque	300 x 200	Q3020PI	260 x 160	Q3020EXTI	280 x 180	115	150	250	140	240	120	210	100	200
	11.34 x 7.40 x 4.84		11.81 x 7.87		10.24 x 6.30		11.02 x 7.09	4.53	5.91	9.84	5.51	9.45	4.72	8.27	3.94	7.87
Q302013ABICC	288 x 188 x 123	Clear	300 x 200	Q3020PI	260 x 160	Q3020EXTI	280 x 180	115	150	250	140	240	120	210	100	200
	11.34 x 7.40 x 4.84		11.81 x 7.87		10.24 x 6.30		11.02 x 7.09	4.53	5.91	9.84	5.51	9.45	4.72	8.27	3.94	7.87
Q402013ABI	388 x 188 x 123	Opaque	400 x 200	Q4020PI	360 x 160	Q4020EXTI	380 x 180	115	150	350	140	340	120	310	100	300
	15.28 x 7.40 x 4.84		15.75 x 7.87		14.17 x 6.30		14.96 x 7.09	4.53	5.91	13.78	5.51	13.39	4.72	12.20	3.94	11.81
Q402013ABICC	388 x 188 x 123	Clear	400 x 200	Q4020PI	360 x 160	Q4020EXTI	380 x 180	115	150	350	140	340	120	310	100	300
	15.28 x 7.40 x 4.84		15.75 x 7.87		14.17 x 6.30		14.96 x 7.09	4.53	5.91	13.78	5.51	13.39	4.72	12.20	3.94	11.81
Q303013ABI	288 x 288 x 123	Opaque	300 x 300	Q3030PI	260 x 260	Q3030EXTI	280 x 280	115	250	250	240	240	220	210	200	200
	11.34 x 11.34 x 4.84		11.81 x 11.81		10.24 x 10.24		11.02 x 11.02	4.53	9.84	9.84	9.45	9.45	8.66	8.27	7.87	7.87
Q303013ABICC	288 x 288 x 123	Clear	300 x 300	Q3030PI	260 x 260	Q3030EXTI	280 x 280	115	250	250	240	240	220	210	200	200
	11.34 x 11.34 x 4.84		11.81 x 11.81		10.24 x 10.24		11.02 x 11.02	4.53	9.84	9.84	9.45	9.45	8.66	8.27	7.87	7.87
Q403013ABI	388 x 288 x 123	Opaque	400 x 300	Q4030PI	360 x 260	Q4030EXTI	380 x 280	115	250	350	240	240	220	310	200	300
	15.28 x 11.34 x 4.84		15.75 x 11.81		14.17 x 10.24		14.96 x 11.02	4.53	9.84	13.78	9.45	13.39	8.66	12.20	7.87	11.81
Q403013ABICC	388 x 288 x 123	Clear	400 x 300	Q4030PI	360 x 260	Q4030EXTI	380 x 280	115	250	350	240	240	220	310	200	300
	15.28 x 11.34 x 4.84		15.75 x 11.81		14.17 x 10.24		14.96 x 11.02	4.53	9.84	13.78	9.45	13.39	8.66	12.20	7.87	11.81
Q603013ABI	588 x 288 x 123	Opaque	600 x 300	Q6030PI	560 x 260	Q6030EXTI	580 x 280	115	250	550	240	540	220	510	200	300
	23.15 x 11.34 x 4.84		23.62 x 11.81		22.05 x 10.24		22.83 x 11.02	4.53	9.84	21.65	9.45	21.26	8.66	20.08	7.87	11.81
Q603013ABICC	588 x 288 x 123	Clear	600 x 300	Q6030PI	560 x 260	Q6030EXTI	580 x 280	115	250	550	240	540	220	510	200	300
	23.15 x 11.34 x 4.84		23.62 x 11.81		22.05 x 10.24		22.83 x 11.02	4.53	9.84	21.65	9.45	21.26	8.66	20.08	7.87	11.81
Q604013ABI	588 x 388 x 123	Opaque	600 x 400	Q6040PI	560 x 360	Q6040EXTI	580 x 380	115	350	550	340	540	320	510	300	500
	23.15 x 15.28 x 4.84		23.62 x 15.75		22.05 x 14.17		22.83 x 14.96	4.53	13.78	21.65	13.39	21.26	12.60	20.08	11.81	19.69
Q604013ABICC	588 x 388 x 123	Clear	600 x 400	Q6040PI	560 x 360	Q6040EXTI	580 x 380	115	350	550	340	540	320	510	300	500
	23.15 x 15.28 x 4.84		23.62 x 15.75		22.05 x 14.17		22.83 x 14.96	4.53	13.78	21.65	13.39	21.26	12.60	20.08	11.81	19.69
Q202018ABI	188 x 188 x 173	Opaque	200 x 200	Q2020PI	160 x 160	Q2020EXTI	180 x 180	165	150	150	140	140	120	110	100	100
	7.40 x 7.40 x 6.81		7.87 x 7.87		6.30 x 6.30		7.09 x 7.09	6.50	5.91	5.91	5.51	5.51	4.72	4.33	3.94	3.94
Q202018ABICC	188 x 188 x 173	Clear	200 x 200	Q2020PI	160 x 160	Q2020EXTI	180 x 180	165	150	150	140	140	120	110	100	100
	7.40 x 7.40 x 6.81		7.87 x 7.87		6.30 x 6.30		7.09 x 7.09	6.50	5.91	5.91	5.51	5.51	4.72	4.33	3.94	3.94
Q302018ABI	288 x 188 x 173	Opaque	300 x 200	Q3020PI	260 x 160	Q3020EXTI	280 x 180	165	150	250	140	240	120	110	100	200
	11.34 x 7.40 x 6.81		11.81 x 7.87		10.24 x 6.30		11.02 x 7.09	6.50	5.91	9.84	5.51	9.45	4.72	4.33	3.94	7.87
Q302018ABICC	288 x 188 x 173	Clear	300 x 200	Q3020PI	260 x 160	Q3020EXTI	280 x 180	165	150	250	140	240	120	110	100	200
	11.34 x 7.40 x 6.81		11.81 x 7.87		10.24 x 6.30		11.02 x 7.09	6.50	5.91	9.84	5.51	9.45	4.72	4.33	3.94	7.87
Q402018ABI	388 x 188 x 173	Opaque	400 x 200	Q4020PI	360 x 160	Q4020EXTI	380 x 180	165	150	350	140	340	120	310	100	300
	15.28 x 7.40 x 6.81		15.75 x 7.87		14.17 x 6.30		14.96 x 7.09	6.50	5.91	13.78	5.51	13.39	4.72	12.20	3.94	11.81
Q402018ABICC	388 x 188 x 173	Clear	400 x 200	Q4020PI	360 x 160	Q4020EXTI	380 x 180	165	150	350	140	340	120	310	100	300
	15.28 x 7.40 x 6.81		15.75 x 7.87		14.17 x 6.30		14.96 x 7.09	6.50	5.91	13.78	5.51	13.39	4.72	12.20	3.94	11.81
Q303018ABI	288 x 288 x 173	Opaque	300 x 300	Q3030PI	260 x 260	Q3030EXTI	280 x 280	165	250	250	240	240	220	210	200	200
	11.34 x 11.34 x 6.81		11.81 x 11.81		10.24 x 10.24		11.02 x 11.02	6.50	9.84	9.84	9.45	9.45	8.66	8.27	7.87	7.87
Q303018ABICC	288 x 288 x 173	Clear	300 x 300	Q3030PI	260 x 260	Q3030EXTI	280 x 280	165	250	250	240	240	220	210	200	200
	11.34 x 11.34 x 6.81		11.81 x 11.81		10.24 x 10.24		11.02 x 11.02	6.50	9.84	9.84	9.45	9.45	8.66	8.27	7.87	7.87
Q403018ABI	388 x 288 x 173	Opaque	400 x 300	Q4030PI	360 x 260	Q4030EXTI	380 x 280	165	250	350	240	340	220	310	200	300
	15.28 x 11.34 x 6.81		15.75 x 11.81		14.17 x 10.24		14.96 x 11.02	6.50	9.84	13.78	9.45	13.39	8.66	12.20	7.87	11.81
Q403018ABICC	388 x 288 x 173	Clear	400 x 300	Q4030PI	360 x 260	Q4030EXTI	380 x 280	165	250	350	240	340	220	310	200	300
	15.28 x 11.34 x 6.81		15.75 x 11.81		14.17 x 10.24		14.96 x 11.02	6.50	9.84	13.78	9.45	13.39	8.66	12.20	7.87	11.81
Q603018ABI	588 x 288 x 173	Opaque	600 x 300	Q6030PI	560 x 260	Q6030EXTI	580 x 280	165	250	550	240	540	220	510	200	300
	23.15 x 11.34 x 6.81		23.62 x 11.81		22.05 x 10.24		22.83 x 11.02	6.50	9.84	21.65	9.45	21.26	8.66	20.08	7.87	19.69
Q603018ABICC	588 x 288 x 173	Clear	600 x 300	Q6030PI	560 x 260	Q6030EXTI	580 x 280	165	250	550	240	540	220	510	200	300
	23.15 x 11.34 x 6.81		23.62 x 11.81		22.05 x 10.24		22.83 x 11.02	6.50	9.84	21.65	9.45	21.26	8.66	20.08	7.87	19.69
Q604018ABI	588 x 388 x 173	Opaque	600 x 400	Q6040PI	560 x 360	Q6040EXTI	580 x 380	165	350	550	340	540	320	510	300	500
	23.15 x 15.28 x 6.81		23.62 x 15.75		22.05 x 14.17		22.83 x 14.96	6.50	13.78	21.65	13.39	21.26	12.60	20.08	11.81	19.69
Q604018ABICC	588 x 388 x 173	Clear	600 x 400	Q6040PI	560 x 360	Q6040EXTI	580 x 380	165	350	550	340	540	320	510	300	500
	23.15 x 15.28 x 6.81		23.62 x 15.75		22.05 x 14.17		22.83 x 14.96	6.50	13.78	21.65	13.39	21.26	12.60	20.08	11.81	19.69

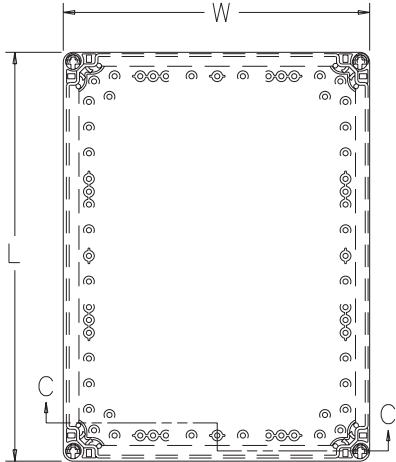
QLINE® I

QLINE I Polycarbonate and ABS Type 4X Enclosures with Quick-Release Latches Dimension Drawing

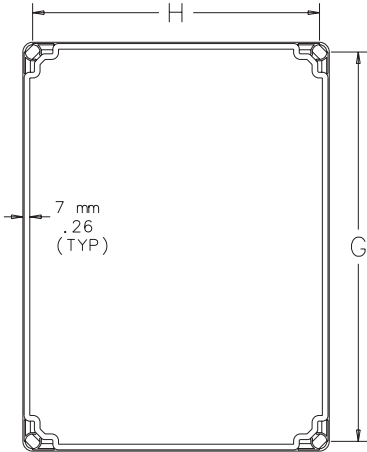


QLINE® I

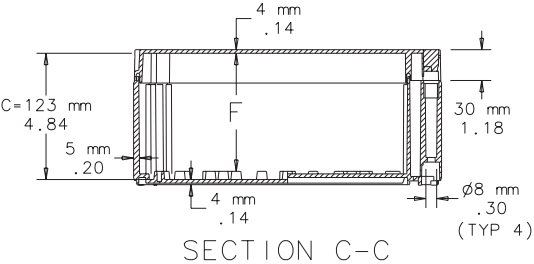
QLINE I Polycarbonate and ABS Screw Cover Dimension Drawing



TOP VIEW

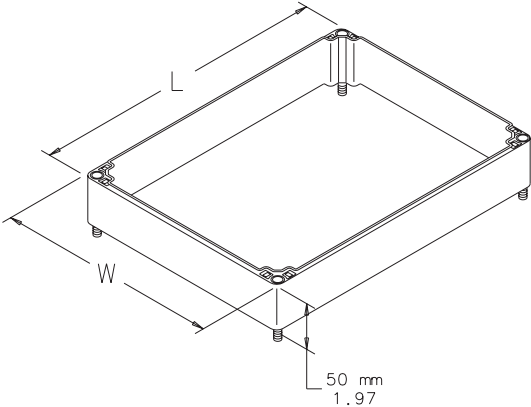


BOTTOM VIEW

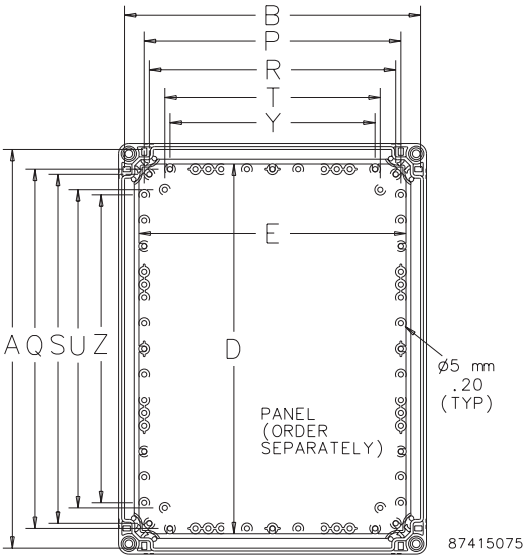


SECTION C-C

NOTE: Panel screws are M5 pan head.



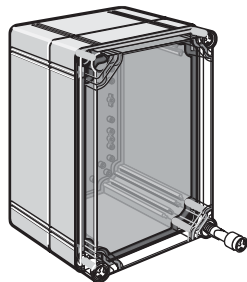
OPTIONAL EXTENSION RING



TOP VIEW WITH COVER REMOVED

QLINE® I

Cover Screw Kit

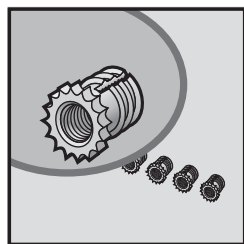


Screws are polyamide. Wing-head-style screws provide rapid access to enclosure interior without requiring special tools to open. Kit includes four polyamide cover screws and four self-tapping, plated panel screws. Tamper-resistant screws have molded 3-mm double-bit drive; kit includes four cover screws, one key and four self-tapping, plated panel screws. Use on all QLINE® I enclosures.

Bulletin: Q41Y

Catalog Number	Description
QIWHSK	wing-head screw
QITSK	3-mm tamper-resistant double-bit

Brass Insert Kit

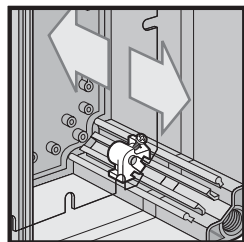


Four M5 self-tapping brass inserts screw into molded pads in bottom of enclosure. Inserts have M3 internal thread.

Bulletin: Q41Y

Catalog Number
QBIK

Panel Depth Fitting



Panel Depth Fitting attaches to corner molded rails of enclosure to facilitate full-range front-to-back panel adjustment. Package includes four polyamide fittings and plated screws. Use on all QLINE I enclosures.

Bulletin: Q41Y

Catalog Number
QIPDF

Swing Panel



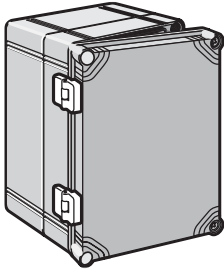
Adjustable-depth aluminum swing panels, for use in QLINE® I polycarbonate enclosures, provide a convenient way to install controls and instruments near enclosure body opening while providing access and security. Suitable applications include water, pulp and paper, petroleum and chemical processing, food, packaging and pharmaceutical applications.

Bulletin: Q41Y

Catalog Number	Panel Size D x E mm/in.	Fits Enclosure Size A x B mm/in.	Hinged Side of Enclosure
QIHFP22A	186 x 180 7.32 x 7.09	200 x 200 7.87 x 7.87	200
QIHFP23A	186 x 280 7.32 x 11.02	300 x 200 11.81 x 7.87	200
QIHFP32A	286 x 180 11.26 x 7.09	300 x 200 11.81 x 7.87	300
QIHFP42A	386 x 180 15.20 x 7.09	400 x 200 15.75 x 7.87	400
QIHFP33A	286 x 280 11.26 x 11.02	300 x 300 11.81 x 11.81	300
QIHFP43A	386 x 280 15.20 x 11.02	400 x 300 15.75 x 11.81	400
QIHFP63A	586 x 280 23.07 x 11.02	600 x 300 23.62 x 11.81	600
QIHFP64A	586 x 380 23.07 x 14.96	600 x 400 23.62 x 15.75	600

QLINE® I

Hinge Kit



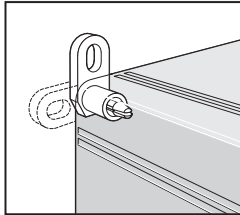
Hinge Kit includes two polyamide hinges, eight M4 self-tapping plated screws, eight flat washers and drilling template. Use on all QLINE® I enclosures.

Hinge Kit meets Type 4 requirements. Three hinges required for 600-mm sides.

Bulletin: Q41Y

Catalog Number
QIHK

Mounting Bracket Kit

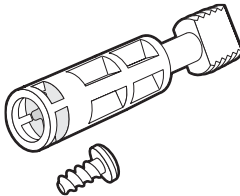


Mounting Bracket Kit has four polycarbonate brackets and four M3 self-tapping, plated screws. Kit is field-installable. Use on all QLINE® I Enclosures. Maintains listed ratings for enclosure.

Bulletin: Q41Y

Catalog Number
QIMFK

Hardware Kit

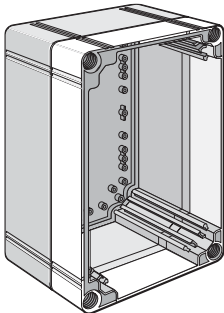


Hardware Kit includes four polyamide cover screws and four self-tapping, plated panel screws. This kit is offered as a replacement kit for lost or damaged hardware originally furnished with the enclosure.

Bulletin: Q41Y

Catalog Number	Description
QIHK424	42-mm screws

Extension Rings

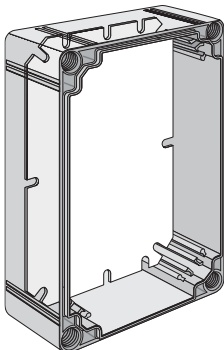


Extension rings can be added to QLINE® I enclosures to provide additional 50-mm to enclosure depth. Extension rings are polycarbonate and cannot be used with quick-release latches.

Bulletin: Q41Y

Catalog Number
Q2020EXTI
Q3020EXTI
Q3030EXTI
Q4020EXTI
Q4030EXTI
Q6030EXTI
Q6040EXTI

Panels



Bulletin: Q41Y

Catalog Number	Panel Size D x E (mm)	Panel Size D x E (in.)
Q2020PI	160 x 160	6.30 x 6.30
Q3020PI	260 x 160	10.24 x 6.30
Q3030PI	260 x 260	10.24 x 10.24
Q4020PI	360 x 160	14.17 x 6.30
Q4030PI	360 x 260	14.17 x 10.24
Q6030PI	560 x 360	22.05 x 10.24
Q6040PI	260 x 260	22.05 x 14.17

QLINE® I

QLINE® I, EMC, Type 4X



Industry Standards

UL 508A Listed; Type 4, 4X, 12, 13; File No. E61997
 cUL Listed per CSA C22.2 No 94; Type 4, 4X, 12, 13; File No. E61997
 Enclosure flammability evaluated per UL 508A

NEMA/EEMAC Type 4, 4X, 12, 13
 IEC 60529, IP66

Application

The largest-size enclosures in the QLINE® EMC series, the screw-cover QLINE I protects larger controls from electromagnetic interference in corrosive environments.

Specifications

- Body is impact-resistant polycarbonate
- Polycarbonate material is easily punched, drilled, filed or sawed
- EMC coating in base and cover
- Gasket of silver/silicone
- Mounting holes molded directly under cover screws
- Molded internal pads for mounting optional panels, rails and other components
- Molded internal rails for mounting adjustable depth panel kit
- Screws provided for mounting optional panel
- Easily removable covers attached to body with strong, durable polyamide cross-point cover screws

Finish

Enclosure material is RAL 7035 light gray outside. Optional panels are conductive steel.

Bulletin: Q41EM

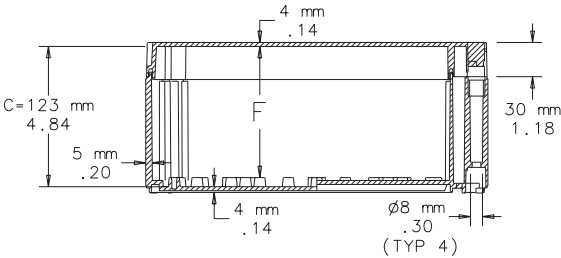
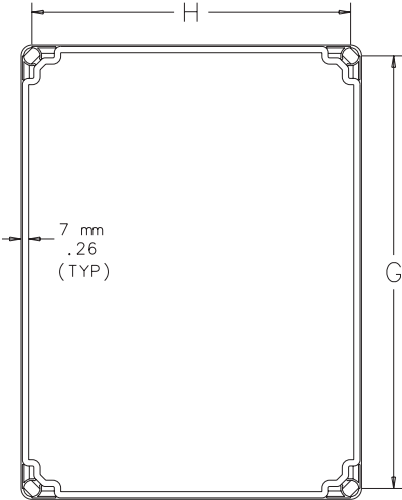
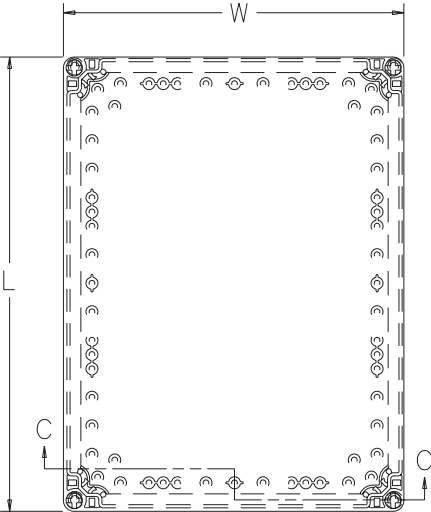
Standard Product

Catalog Number	External Dimensions		Internal Dimensions		Panel	Panel Size		Mounting							
	A x B x C mm/in.	L x W mm/in.	A x B x C mm/in.	D x E mm/in.		D x E mm/in.	G x H mm/in.	F mm/in.	P mm/in.	Q mm/in.	R mm/in.	S mm/in.	T mm/in.	U mm/in.	Y mm/in.
Q202013PCEMC	200 x 200 x 123	200 x 200	188 x 188	Q2020PI	160 x 160	180 x 180	115	150	150	140	140	120	110	100	100
	7.90 x 7.90 x 4.80	7.87 x 7.87	7.40 x 7.40		6.30 x 6.30	7.09 x 7.09	4.53	5.91	5.91	5.51	5.51	4.72	4.33	3.94	3.94
Q302013PCEMC	300 x 200 x 123	300 x 200	288 x 188	Q3020PI	260 x 160	280 x 180	115	150	250	140	240	120	210	100	200
	11.80 x 7.90 x 4.80	11.81 x 7.87	11.34 x 7.40		10.24 x 6.30	11.02 x 7.09	4.53	5.91	9.84	5.51	9.45	4.72	8.27	3.94	7.87
Q402013PCEMC	400 x 200 x 123	400 x 200	388 x 188	Q4020PI	360 x 160	380 x 180	115	150	350	140	340	120	310	100	300
	15.70 x 7.90 x 4.80	15.75 x 7.87	15.28 x 7.40		14.17 x 6.30	14.96 x 7.09	4.53	5.91	13.78	5.51	13.39	4.72	12.20	3.94	11.81

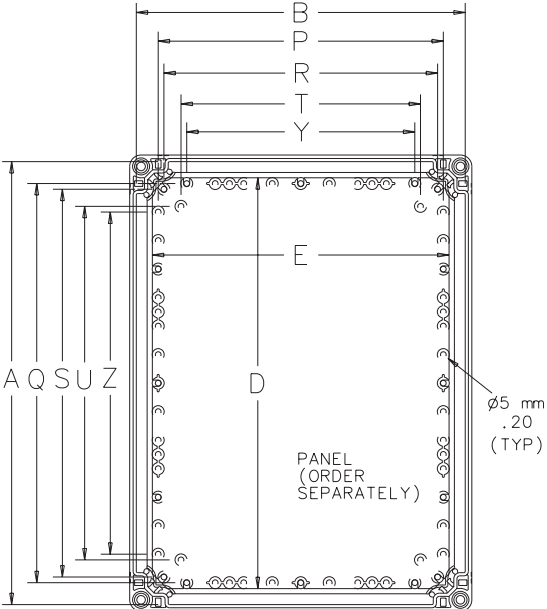
Purchase panels separately.

QLINE® I

QLINE I Polycarbonate EMC Enclosures Dimension Drawing



Note: Panel screws are M5 pan head.



CHAPTER

3

Non-Metallic

Featured Products in this Chapter



► POLYPRO®, Type 4X

P. 228



CHAPTER CONTENTS

Polyester

POLYPRO® , Type 4X	
POLYPRO®, Type 4X	228
Adjustable Panel Block Kit	230
Polyester Mounting Bracket Kits	230
Aluminum Swing-Out Panels	231
Stainless Steel Latches (Padlockable)	232
Hinge Retainers	232

Fiberglass

Continuous Hinge	
Continuous Hinge, Type 4X	234
Quick-Release Latch Kit	237
Screw- or Hinge-Cover with Quick-Release Latch	238
Screw- or Hinge-Cover with Quick-Release Latch, Type 4X	238
Fiberglass Mounting Bracket Kit	241

Overlapping Cover

Raised Cover with Screws, Type 4X	242
Raised Cover with Latches, Type 4X	244
Flat Cover with Screws, Type 4X	246
Flat Cover with Latches, Type 4X	248
Flat Clear Cover with Latches, Type 4X	250

ULTRX®

ULTRX®, Type 4X	252
Grounding Device	254
Panels for Type 3R, 4, 4X, 12 and 13 Enclosures	254
Rack Angles (Type RA)	255
Keylock Kit and Padlock Kit	255
Door Stop Kit	256
Swing Frame	256
ULTRX® Key Insert	257
ULTRX® Mounting Bracket Kit	257

Hinge-Cover with 3-Point Latch or Quick-Release Latches

Hinge-Cover with 3-Point Latch or Quick-Release Latches, Type 4X	258
--	-----

Free-Stand

Free-Stand, Type 4X	264
Accessory Selection for Free-Stand, Type 4X	266
Rack Mounting Accessory Selection for Free-Stand, Type 4X	267

Two-Door Free-Stand

Two-Door Free-Stand, Type 4X	268
Bottom Support Kits	269

Polycarbonate and ABS

QLINE® D	
QLINE® D Pushbutton, Type 4X	270
QLINE® D, Type 4X	272
Hinge Kit	276
Mounting Bracket Kit	276
Hardware Kit	276
Panels	276
QLINE® D, EMC, Type 4X	278
QLINE® E	
QLINE® E, Type 4X	280
Brass Inserts	284
Hinge Kit	284
Mounting Bracket Kit	284
Hardware Kit	284
Panels	284
QLINE® E, EMC, Type 4X	286
QLINE® I	
QLINE® I, Type 4X	288
Cover Screw Kit	294
Brass Insert Kit	294
Panel Depth Fitting	294
Swing Panel	294
Hinge Kit	295
Mounting Bracket Kit	295
Hardware Kit	295
Extension Rings	295
Panels	295
QLINE® I, EMC, Type 4X	296

POLYPRO®, Type 4X

POLYPRO
ENCLOSURES

POLYPRO®, Type 4X



Industry Standards

Mounting brackets required to meet UL/CSA external mounting requirements.

UL 508A Listed; Type 4, 4X, 12, 13; File No. E61997
 cUL Listed per CSA C22.2 No 94; Type 4, 4X, 12, 13; File No. E61997
 Enclosure flammability evaluated per UL 508A
 Window flammability evaluated per UL 508A

NEMA/EEMAC Type 4, 4X, 12, 13
 CSA File No. 42186; Type 4, 4X, 12, 13 (solid covers only)
 IEC 60529, IP66

Application

POLYPRO® polyester enclosures perform exceptionally well in applications where harsh chemicals, weather extremes and corrosive environments demand toughness from a lightweight enclosure. Providing excellent ultraviolet protection and a tight environmental seal, these versatile, feature-rich enclosures are also recyclable.

Specifications

- Non-glass-filled polyester material offers superior UV resistance; eliminates fiberbloom associated with fiberglass
- Provides excellent chemical resistance to a broad range of solvents, alkalis and acids
- Resists cracking and provides excellent impact resistance
- Lighter-weight than fiberglass
- Recyclable
- Easy, dustless in-field modifications using standard tools
- Overlapping tongue-and-groove raised cover and gasket provide a secure Type 4X seal

- Removable snap-hinge cover allows for easy access to cover and body for modifications
- Molded layout grid on inside of body and solid covers assists with component mounting
- Molded-in embosses for rear panel mounting
- Optional cover screws included with all models
- Internal rail system and adjustable panel blocks allow for panel height adjustment and installation of multiple panels
- Scratch-resistant polycarbonate windows
- Standard models include body and cover, two mounting feet, two latch assemblies with optional cover screws and hardware (adjustable panel blocks and panels sold separately)

Finish

RAL 7035 light-gray textured finish inside and out

Accessories

See also *Accessories*.
 Adjustable Panel Block Kit
 Panels for Junction Boxes
 HOL-SEALERS™ Non-Metallic Hole Seals
 Aluminum Swing-Out Panels
 Stainless Steel Latches (Padlockable)
 Hinge Retainers

Modification and Customization

Hoffman excels at modifying and customizing products to your specifications. Contact your local Hoffman sales office or distributor for complete information.

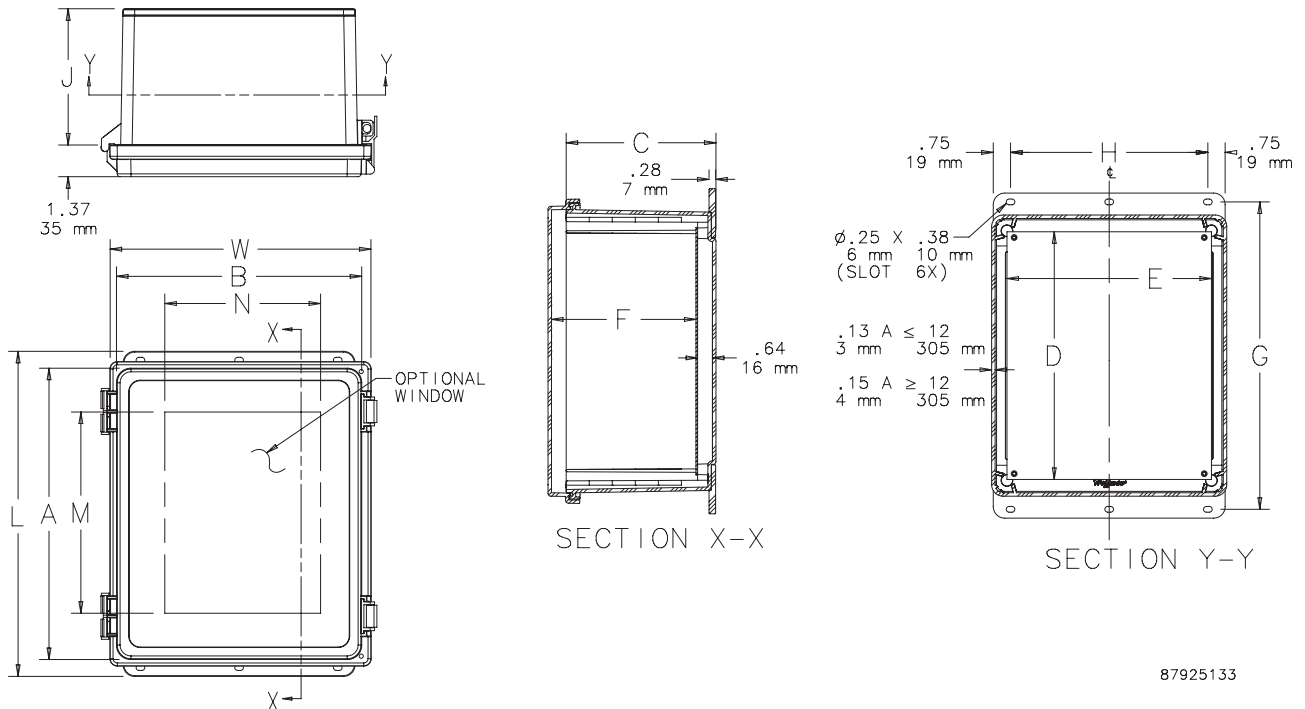
Bulletin: PCR

POLYPRO®, Type 4X

Standard Product

Catalog Number	AxBxC in./mm	Cover Type	Steel Panel	Aluminum Panel	Panel Size								
					D x E in./mm	F in./mm	G in./mm	H in./mm	J in./mm	L in./mm	M in./mm	N in./mm	W in./mm
A644PHC	6.12 x 4.12 x 4.38	Solid	A6P4	A6P4AL	4.88 x 2.88	4.32	7.38	2.56	3.91	8.15	—	—	5.23
	155 x 105 x 111				124 x 73	110	187	65	99	207	—	—	133
A644PHCW	6.12 x 4.12 x 4.38	Window	A6P4	A6P4AL	4.88 x 2.88	4.32	7.38	2.56	3.91	8.15	4.25	2.25	5.23
	155 x 105 x 111				124 x 73	110	187	65	99	207	108	57	133
A664PHC	6.12 x 6.12 x 4.38	Solid	A6P6	A6P6AL	4.88 x 4.88	4.32	7.38	4.56	3.91	8.15	—	—	7.23
	155 x 155 x 111				124 x 124	110	187	116	99	207	—	—	184
A664PHCW	6.12 x 6.12 x 4.38	Window	A6P6	A6P6AL	4.88 x 4.88	4.32	7.38	4.56	3.91	8.15	4.25	4.25	7.23
	155 x 155 x 111				124 x 124	110	187	116	99	207	108	108	184
A864PHC	8.12 x 6.12 x 4.38	Solid	A8P6	A8P6AL	6.75 x 4.88	4.32	9.38	4.56	3.91	10.15	—	—	7.23
	206 x 155 x 111				171 x 124	110	238	116	99	258	—	—	184
A864PHCW	8.12 x 6.12 x 4.38	Window	A8P6	A8P6AL	6.75 x 4.88	4.32	9.38	4.56	3.91	10.15	6.25	4.25	7.23
	206 x 155 x 111				171 x 124	110	238	116	99	258	159	108	184
A884PHC	8.12 x 8.12 x 4.38	Solid	A8P8	A8P8AL	6.75 x 6.88	4.32	9.38	6.56	3.91	10.15	—	—	9.23
	206 x 206 x 111				171 x 175	110	238	167	99	258	—	—	234
A884PHCW	8.12 x 8.12 x 4.38	Window	A8P8	A8P8AL	6.75 x 6.88	4.32	9.38	6.56	3.91	10.15	6.25	6.25	9.23
	206 x 206 x 111				171 x 175	110	238	167	99	258	159	159	234
A1084PHC	10.12 x 8.12 x 4.38	Solid	A10P8	A10P8AL	8.75 x 6.88	4.32	11.38	6.56	3.91	12.15	—	—	9.23
	257 x 155 x 111				222 x 175	110	289	167	99	309	—	—	234
A1084PHCW	10.12 x 8.12 x 4.38	Window	A10P8	A10P8AL	8.75 x 6.88	4.32	11.38	6.56	3.91	12.15	8.25	6.25	9.23
	257 x 155 x 111				222 x 175	110	289	167	99	309	210	159	234
A10106PHC	10.04 x 10.04 x 6.38	Solid	A10P10	A10P10AL	8.75 x 8.88	6.32	11.31	8.56	5.91	12.08	—	—	11.23
	255 x 255 x 162				222 x 226	161	287	217	150	307	—	—	285
A10106PHCW	10.04 x 10.04 x 6.38	Window	A10P10	A10P10AL	8.75 x 8.88	6.32	11.31	8.56	5.91	12.08	8.25	8.25	11.23
	255 x 255 x 162				222 x 226	161	287	217	150	307	210	210	285
A12106PHC	12.08 x 10.09 x 6.38	Solid	A12P10	A12P10AL	10.75 x 8.88	6.32	13.34	8.56	5.91	14.08	—	—	11.23
	307 x 256 x 162				273 x 226	161	339	217	150	358	—	—	285
A12106PHCW	12.08 x 10.09 x 6.38	Window	A12P10	A12P10AL	10.75 x 8.88	6.32	13.34	8.56	5.91	14.08	10.25	8.25	11.23
	307 x 256 x 162				273 x 226	161	339	217	150	358	260	210	285
A14128PHC	14.02 x 12.01 x 8.35	Solid	A14P12	A14P12AL	12.75 x 10.88	8.27	15.27	10.56	7.91	16.04	—	—	13.32
	356 x 305 x 212				324 x 276	210	388	268	201	407	—	—	338
A14128PHCW	14.02 x 12.01 x 8.35	Window	A14P12	A14P12AL	12.75 x 10.88	8.27	15.27	10.56	7.91	16.04	12.25	10.25	13.32
	356 x 305 x 212				324 x 276	210	388	268	201	407	311	260	338
A16148PHC	16.02 x 14.01 x 8.35	Solid	A16P14	A16P14AL	14.75 x 12.88	8.27	17.27	12.56	7.91	18.04	—	—	15.32
	407 x 356 x 212				375 x 327	210	439	319	201	458	—	—	389
A16148PHCW	16.02 x 14.01 x 8.35	Window	A16P14	A16P14AL	14.75 x 12.88	8.27	17.27	12.56	7.91	18.04	14.25	12.25	15.32
	407 x 356 x 212				375 x 327	210	439	319	201	458	362	311	389
A181610PHC	17.95 x 15.94 x 10.35	Solid	A18P16	A18P16AL	16.75 x 14.88	10.27	19.20	14.56	9.91	19.97	—	—	17.32
	456 x 405 x 263				425 x 378	261	488	370	252	507	—	—	440
A181610PHCW	17.95 x 15.94 x 10.35	Window	A18P16	A18P16AL	16.75 x 14.88	10.27	19.20	14.56	9.91	19.97	16.25	14.25	17.32
	456 x 405 x 263				425 x 378	261	488	370	252	507	413	362	440

Purchase panels separately. Panels are available in aluminum, mild steel, stainless steel, conductive and composite materials.



87925133

POLYPRO®, Type 4X

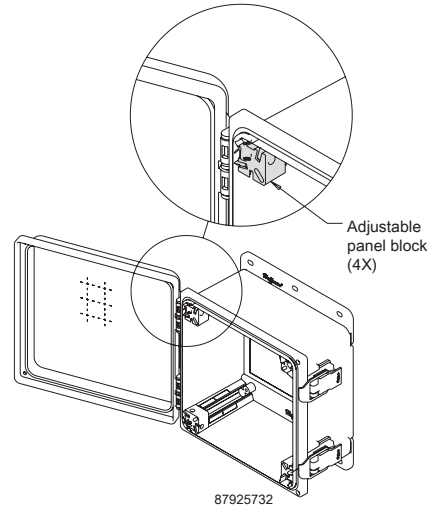
Adjustable Panel Block Kit

Panel blocks slide inside POLYPRO internal rail system for panel height adjustment within top 5 in. of enclosure. Allows for installation of multiple panels.

Bulletin: PCRY

Catalog Number	Qty.
APNLBLK	4

Includes Allen wrench



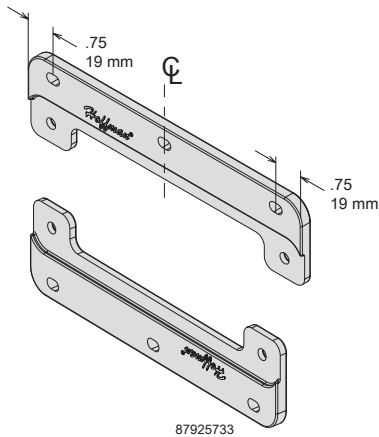
87925732

Polyester Mounting Bracket Kits

Replacement POLYPRO mounting brackets are sold in sets of two and include hardware for mounting to enclosure. Included with standard POLYPRO models.

Bulletin: PCRY

Catalog Number	Description (in.)	Qty.
APOLYFT4	4.00	2
APOLYFT6	6.00	2
APOLYFT8	8.00	2
APOLYFT10	10.00	2
APOLYFT12	12.00	2
APOLYFT14	14.00	2
APOLYFT16	16.00	2



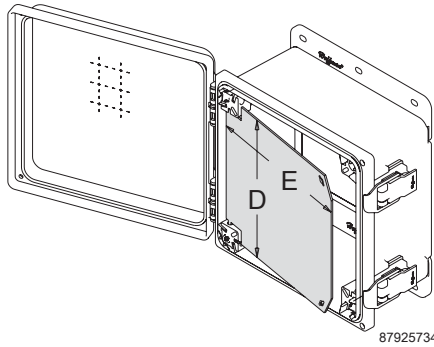
87925733

POLYPRO®, Type 4X

Aluminum Swing-Out Panels

Includes four POLYPRO Adjustable Panel Blocks. No enclosure modification is required for installation.

Bulletin: PCRY



Catalog Number	D x E (in.)	D x E (mm)
A64PSWPNL	5.00 x 3.62	127 x 92
A66PSWPNL	5.00 x 5.62	127 x 143
A86PSWPNL	7.00 x 5.62	178 x 143
A88PSWPNL	7.00 x 7.62	178 x 194
A108PSWPNL	9.00 x 7.62	229 x 194
A1010PSWPNL	9.00 x 9.62	229 x 244
A1210PSWPNL	11.00 x 9.62	279 x 244
A1412PSWPNL	13.00 x 11.62	330 x 295
A1614PSWPNL	15.00 x 13.62	381 x 346
A1816PSWPNL	17.00 x 15.62	432 x 397

POLYPRO®, Type 4X

Stainless Steel Latches (Padlockable)



Stainless Steel Latches can be retrofitted on all POLYPRO models with no modification or drilling required. Hinge/latch constructed of corrosion-resistant polyester with a Type 316L stainless steel bail. Included with standard POLYPRO models.

Bulletin: PCRY

Catalog Number	Qty.
AQLSS6	2

Hinge Retainers



Hinge Retainers can be field-installed without modification to POLYPRO hinges for applications where easy cover removal is not desired. Two retainers per enclosure is recommended. Kit includes ten hinge retainers.

Bulletin: PCRY

Catalog Number	Description	Pkg. Qty.
AHGCLP	POLYPRO Hinge Retainers	10

Notes

Continuous Hinge

Continuous Hinge, Type 4X



Industry Standards

Mounting brackets required to meet UL/CSA external mounting requirements.

UL 508A Listed; Type 4, 4X, 12, 13; File No. E61997
 cUL Listed per CSA C22.2 No 94; Type 4, 4X, 12, 13; File No. E61997
 Enclosure flammability evaluated per UL 508A
 Window flammability evaluated per UL 508A

NEMA/EEMAC Type 4, 4X, 12, 13
 CSA File No. 42186: Type 4, 4X, 12, 13
 IEC 60529, IP66

Application

The efficient design and simple construction of these enclosures make them durable in corrosive environments, yet aesthetically pleasing. Corner latches provide unobstructed access. The continuous hinge provides a secure seal, and double latching creates added security.

Specifications

- Compression-molded fiberglass has outstanding chemical- and temperature-resistance qualities and exhibits excellent weatherability and physical properties
- Fiberglass is easily punched, drilled, filed or sawed
- Gasket assures water-tight and dust-tight seal
- Polyester mounting brackets and stainless steel attachment screws are provided with each enclosure
- Scratch-resistant polycarbonate windows are permanently bonded in place
- Molded-in-place threaded brass inserts and plated steel screws are provided for mounting optional panels and terminal block kits
- Removable hinged cover attached to body with Type 316 stainless steel hinge pin
- Screw-cover enclosures are secured with two captivated Type 316 stainless steel slotted cover screws
- Enclosures with quick-release latches have corrosion-resistant polyester latches located in corners that provide unobstructed access to enclosure
- Hinge pin and bail are corrosion-resistant Type 316 stainless steel
- Padlock provisions included in each latch

Finish

Fiberglass material is light-gray inside and out. Optional steel panels are painted white. Optional stainless steel, aluminum, conductive and composite panels are unpainted.

Accessories

See also *Accessories*.
 H2OMIT® Vent Drains, Type 4X
 HOL-SEALERS™ Non-Metallic Hole Seals
 Panels for Junction Boxes
 Threaded Panel Extenders
 Quick-Release Latch Kit
 Swing-Out Panel Kit

Modification and Customization

Hoffman excels at modifying and customizing products to your specifications. Contact your local Hoffman sales office or distributor for complete information.

Bulletin: A48

Continuous Hinge

Standard Product **Solid Cover**

Catalog Number	AxBxC in./mm	Type	Steel Panel	Alum. Panel	Panel Size	Mounting	Overall	F	J	K	O	P	Q	T	U
					D x E in./mm	G x H in./mm	L x W in./mm								
A664CHSCFG	6.00 x 6.00 x 4.00 152 x 152 x 102	Screw	A6P6	A6P6AL	4.88 x 4.88	6.94 x 4.00	6.50 x 6.50	3.45	3.25	1.00	4.25	4.25	5.64	0.12	5.64
		Cover			124 x 124	176 x 102	165 x 165	88	83	25	108	108	143	3	143
A664CHQRFG	6.00 x 6.00 x 4.00 152 x 152 x 102	Quick Release	A6P6	A6P6AL	4.88 x 4.88	6.94 x 4.00	6.50 x 6.50	3.45	3.25	1.00	4.25	4.25	5.64	0.12	5.64
					124 x 124	176 x 102	165 x 165	88	83	25	108	108	143	3	143
A864CHSCFG	8.00 x 6.00 x 4.00 203 x 152 x 102	Screw	A8P6	A8P6AL	6.75 x 4.88	8.94 x 4.00	8.50 x 6.50	3.45	3.25	1.00	4.25	6.25	7.64	0.12	5.64
		Cover			171 x 124	227 x 102	216 x 165	88	83	25	108	159	194	3	143
A864CHQRFG	8.00 x 6.00 x 4.00 203 x 152 x 102	Quick Release	A8P6	A8P6AL	6.75 x 4.88	8.94 x 4.00	8.50 x 6.50	3.45	3.25	1.00	4.25	6.25	7.64	0.12	5.64
					171 x 124	227 x 102	216 x 165	88	83	25	108	159	194	3	143
A1086CHSCFG	10.00 x 8.00 x 6.00 254 x 203 x 152	Screw	A10P8	A10P8AL	8.75 x 6.88	10.94 x 6.00	10.50 x 8.50	5.45	4.94	1.31	6.25	8.25	9.61	0.12	7.61
		Cover			222 x 175	278 x 152	267 x 216	138	125	33	159	210	244	3	193
A1086CHQRFG	10.00 x 8.00 x 6.00 254 x 203 x 152	Quick Release	A10P8	A10P8AL	8.75 x 6.88	10.94 x 6.00	10.50 x 8.50	5.45	4.94	1.31	6.25	8.25	9.61	0.12	7.61
					222 x 175	278 x 152	267 x 216	138	125	33	159	210	244	3	193
A12106CHSCFG	12.00 x 10.00 x 6.00 305 x 254 x 152	Screw	A12P10	A12P10AL	10.75 x 8.88	12.94 x 8.00	12.50 x 10.50	5.45	4.69	1.56	8.25	10.25	11.58	0.12	9.58
		Cover			273 x 226	329 x 203	318 x 267	138	119	40	210	260	294	3	243
A12106CHQRFG	12.00 x 10.00 x 6.00 305 x 254 x 152	Quick Release	A12P10	A12P10AL	10.75 x 8.88	12.94 x 8.00	12.50 x 10.50	5.45	4.69	1.56	8.25	10.25	11.58	0.12	9.58
					273 x 226	329 x 203	318 x 267	138	119	40	210	260	294	3	243
A14128CHSCFG	14.00 x 12.00 x 8.00 356 x 305 x 203	Screw	A14P12	A14P12AL	12.75 x 10.88	14.94 x 10.00	14.55 x 12.55	7.45	6.50	1.81	10.25	12.25	13.59	0.15	11.59
		Cover			324 x 276	379 x 254	370 x 319	189	165	46	260	311	345	4	294
A14128CHQRFG	14.00 x 12.00 x 8.00 356 x 305 x 203	Quick Release	A14P12	A14P12AL	12.75 x 10.88	14.94 x 10.00	14.55 x 12.55	7.45	6.50	1.81	10.25	12.25	13.59	0.15	11.59
					324 x 276	379 x 254	370 x 319	189	165	46	260	311	345	4	294
A16148CHSCFG	16.00 x 14.00 x 8.00 406 x 356 x 203	Screw	A16P14	A16P14AL	14.75 x 12.88	16.94 x 12.00	16.55 x 14.55	7.45	6.23	2.08	12.25	14.25	15.56	0.15	13.56
		Cover			375 x 327	430 x 305	420 x 370	189	158	53	311	362	395	4	344
A16148CHQRFG	16.00 x 14.00 x 8.00 406 x 356 x 203	Quick Release	A16P14	A16P14AL	14.75 x 12.88	16.94 x 12.00	16.55 x 14.55	7.45	6.23	2.08	12.25	14.25	15.56	0.15	13.56
					375 x 327	430 x 305	420 x 370	189	158	53	311	362	395	4	344
A181610CHSCFG	18.00 x 16.00 x 10.00 457 x 406 x 254	Screw	A18P16	A18P16AL	16.75 x 14.88	18.94 x 14.00	18.58 x 16.58	9.45	7.66	2.66	14.25	16.25	17.53	0.16	15.53
		Cover			425 x 378	481 x 356	472 x 421	240	195	68	362	413	445	4	394
A181610CHQRFG	18.00 x 16.00 x 10.00 457 x 406 x 254	Quick Release	A18P16	A18P16AL	16.75 x 14.88	18.94 x 14.00	18.58 x 16.58	9.45	7.66	2.66	14.25	16.25	17.53	0.16	15.53
					425 x 378	481 x 356	472 x 421	240	195	68	362	413	445	4	394

Purchase panels separately. Optional stainless steel, aluminum, conductive and composite material panels available for most sizes.

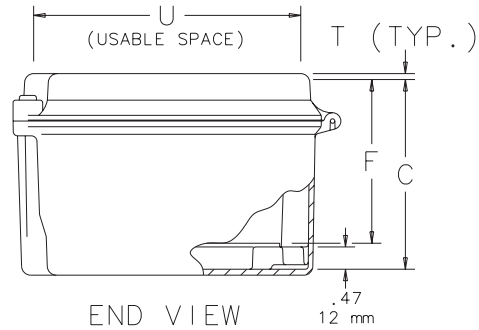
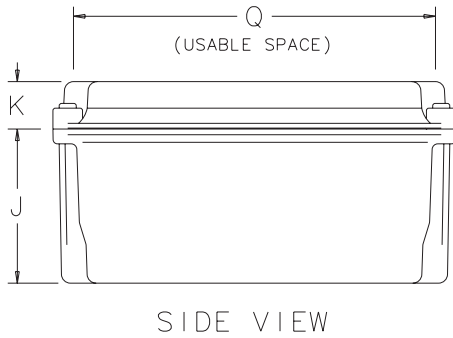
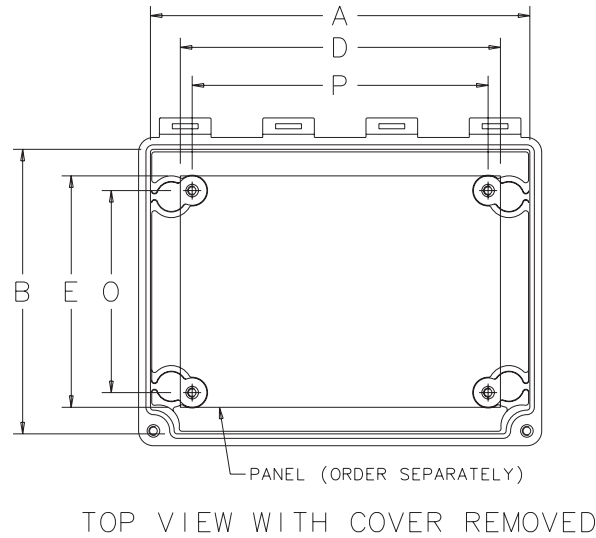
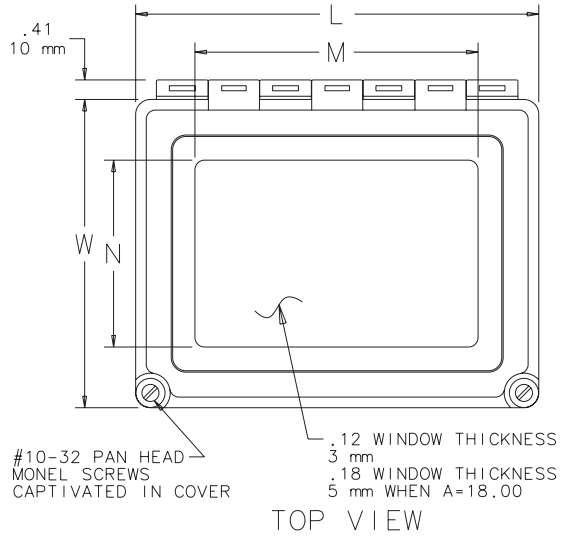
Standard Product **Window Cover**

Catalog Number	AxBxC in./mm	Type	Steel Panel	Alum. Panel	Panel Size	Mounting	Overall	F	J	K	M	N	O	P	Q	T	U
					D x E in./mm	G x H in./mm	L x W in./mm										
A664CHSCFGW	6.00 x 6.00 x 4.00 152 x 152 x 102	Screw	A6P6	A6P6AL	4.88 x 4.88	6.94 x 4.00	6.50 x 6.50	3.45	3.25	1.00	4.25	4.25	4.25	4.25	5.64	0.12	5.64
		Cover			124 x 124	176 x 102	165 x 165	88	83	25	108	108	108	108	143	3	143
A664CHQRFGW	6.00 x 6.00 x 4.00 152 x 152 x 102	Quick Release	A6P6	A6P6AL	4.88 x 4.88	6.94 x 4.00	6.50 x 6.50	3.45	3.25	1.00	4.25	4.25	4.25	4.25	5.64	0.12	5.64
					124 x 124	176 x 102	165 x 165	88	83	25	108	108	108	108	143	3	143
A864CHSCFGW	8.00 x 6.00 x 4.00 203 x 152 x 102	Screw	A8P6	A8P6AL	6.75 x 4.88	8.94 x 4.00	8.50 x 6.50	3.45	3.25	1.00	6.25	4.25	4.25	6.25	7.64	0.12	5.64
		Cover			171 x 124	227 x 102	216 x 165	88	83	25	159	108	108	159	194	3	143
A864CHQRFGW	8.00 x 6.00 x 4.00 203 x 152 x 102	Quick Release	A8P6	A8P6AL	6.75 x 4.88	8.94 x 4.00	8.50 x 6.50	3.45	3.25	1.00	6.25	4.25	6.25	7.64	0.12	5.64	
					171 x 124	227 x 102	216 x 165	88	83	25	159	108	108	159	194	3	143
A1086CHSCFGW	10.00 x 8.00 x 6.00 254 x 203 x 152	Screw	A10P8	A10P8AL	8.75 x 6.88	10.94 x 6.00	10.50 x 8.50	5.45	4.94	1.31	8.25	6.25	6.25	8.25	9.61	0.12	7.61
		Cover			222 x 175	278 x 152	267 x 216	138	125	33	210	159	159	210	244	3	193
A1086CHQRFGW	10.00 x 8.00 x 6.00 254 x 203 x 152	Quick Release	A10P8	A10P8AL	8.75 x 6.88	10.94 x 6.00	10.50 x 8.50	5.45	4.94	1.31	8.25	6.25	6.25	8.25	9.61	0.12	7.61
					222 x 175	278 x 152	267 x 216	138	125	33	210	159	159	210	244	3	193
A12106CHSCFGW	12.00 x 10.00 x 6.00 305 x 254 x 152	Screw	A12P10	A12P10AL	10.75 x 8.88	12.94 x 8.00	12.50 x 10.50	5.45	4.69	1.56	10.25	8.25	8.25	10.25	11.58	0.12	9.58
		Cover			273 x 226	329 x 203	318 x 267	138	119	40	260	210	210	260	294	3	243
A12106CHQRFGW	12.00 x 10.00 x 6.00 305 x 254 x 152	Quick Release	A12P10	A12P10AL	10.75 x 8.88	12.94 x 8.00	12.50 x 10.50	5.45	4.69	1.56	10.25	8.25	8.25	10.25	11.58	0.12	9.58
					273 x 226	329 x 203	318 x 267	138	119	40	260	210	210	260	294	3	243
A14128CHSCFGW	14.00 x 12.00 x 8.00 356 x 305 x 203	Screw	A14P12	A14P12AL	12.75 x 10.88	14.94 x 10.00	14.55 x 12.55	7.45	6.50	1.81	12.25	10.25	10.25	12.25	13.59	0.15	11.59
		Cover			324 x 276	379 x 254	370 x 319	189	165	46	311	260	260	311	345	4	294
A14128CHQRFGW	14.00 x 12.00 x 8.00 356 x 305 x 203	Quick Release	A14P12	A14P12AL	12.75 x 10.88	14.94 x 10.00	14.55 x 12.55	7.45	6.50	1.81	12.25	10.25	10.25	12.25	13.59	0.15	11.59
					324 x 276	379 x 254	370 x 319	189	165	46	311	260	260	311	345	4	294
A16148CHSCFGW	16.00 x 14.00 x 8.00 406 x 356 x 203	Screw	A16P14	A16P14AL	14.75 x 12.88	16.94 x 12.00	16.55 x 14.55	7.45	6.23	2.08	14.25	12.25	12.25	14.25	15.56	0.15	13.56
		Cover			375 x 327	430 x 305	420 x 370	189	158	53	362	311	311	362	395	4	344
A16148CHQRFGW	16.00 x 14.00 x 8.00 406 x 356 x 203	Quick Release	A16P14	A16P14AL	14.75 x 12.88	16.94 x 12.00	16.55 x 14.55	7.45	6.23	2.08	14.25	12.25	12.25	14.25	15.56	0.15	13.56
					375 x 327	430 x 305	420 x 370	189	158	53	362	311	311	362	395	4	344
A181610CHSCFGW	18.00 x 16.00 x 10.00 457 x 406 x 254	Screw	A18P16	A18P16AL	16.75 x 14.88	18.94 x 14.00	18.58 x 16.58	9.45	7.66	2.66	16.25	14.25	14.25	16.25	17.53	0.16	15.53
		Cover			425 x 378	481 x 356	472 x 421	240	195	68	413	362	362	413	445	4	394
A181610CHQRFGW	18.00 x 16.00 x 10.00 457 x 406 x 254	Quick Release	A18P16	A18P16AL	16.75 x 14.88	18.94 x 14.00	18.58 x 16.58	9.45	7.66	2.66	16.25	14.25	14.25	16.25	17.53	0.16	15.53
					425 x 378	481 x 356	472 x 421	240	195	68	413	362	362	413	445	4	394

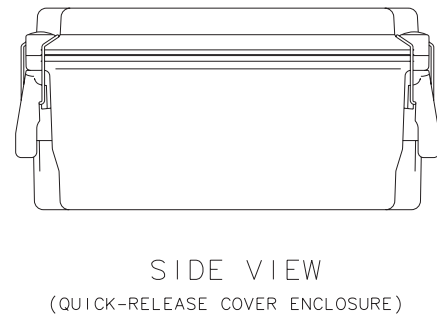
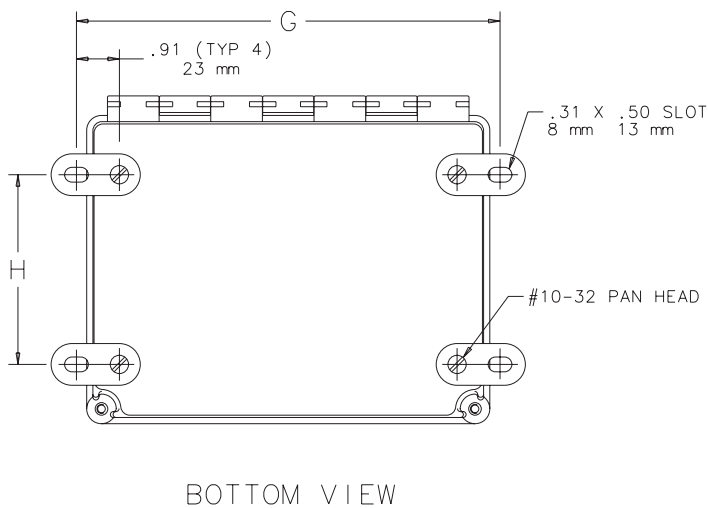
Purchase panels separately. Optional stainless steel, aluminum, conductive and composite material panels available for most sizes.

Continuous Hinge

Hinged Window Cover Type 4X



NOTE: 1. Panel screws have #10-32 threads.
2. Mounting brackets are .16 (4mm) thick.



C2567-C

Quick-Release Latch Kit



Continuous Hinge

Two fiberglass-reinforced gray polyester latches with 316L stainless steel bail and screw-hole plugs are included in each package. Supplied with Continuous Hinge, Type 4X enclosures and available for Fiberglass Hinged Cover WiFi Cabinet, Type 4X. Kit converts screw-cover enclosures to quick-release without modification. No tools needed to install. Padlocking provision is included.

Bulletin: A48Y

Catalog Number	Description	Kit Qty.
AL48	Quick-Release Latch Kit	2

Continuous Hinge

Screw- or Hinge-Cover with Quick-Release Latch, Type 4X



Industry Standards

Mounting brackets required to meet UL/CSA external mounting requirements.

UL 508A Listed; Type 3, 3R, 4, 4X, 12, 13; File No. E61997
 cUL Listed per CSA C22.2 No 94; Type 3, 3R, 4, 4X, 12, 13;
 File No. E61997
 Enclosure flammability evaluated per UL 508A
 Window flammability evaluated per UL 508A

NEMA/EEMAC Type 3, 3R, 4, 4X, 12, 13

CSA File No. 42186; Type 3R, 4, 4X, 12

IEC 60529, IP66

Meets NEMA Type 3RX requirements

Application

Able to withstand harsh environments, these small enclosures feature a simple, traditional non-metallic design that is suitable for a broad range of applications.

Specifications

- Compression-molded fiberglass material has excellent temperature and chemical resistance qualities and exhibits outstanding physical properties
- Fiberglass material is easily punched, drilled, filed or sawed
- Seamless foam-in-place gasket assures water-tight and dust-tight seal
- Threaded internal bosses provided for mounting optional panels and terminal block kits

- Scratch-resistant polycarbonate windows are permanently bonded in place
- Screw-cover enclosures have easily removable covers attached to body with internal plated steel hinges. Cover securely fastens to the body with four captivated Type 316 stainless steel cover screws.
- Enclosures with quick-release latches have corrosion-resistant polyester hinges and polyester latches with a Type 316L stainless steel bail. Attached with Type 316 stainless steel screws. A Type 316L stainless steel padlock hasp is furnished with each enclosure.
- Sealing washers are furnished with enclosure

Finish

Fiberglass material is light-gray inside and out. Optional steel panels are painted white. Optional stainless steel, aluminum and composite panels are unpainted.

Accessories

See also Accessories.

H2OMIT® Vent Drains, Type 4X

HOL-SEALERS™ Non-Metallic Hole Seals

Panels for Junction Boxes

Modification and Customization

Hoffman excels at modifying and customizing products to your specifications. Contact your local Hoffman sales office or distributor for complete information.

Bulletin: A50

Continuous Hinge

Standard Product **Solid Cover with Screws**

Catalog Number	Ax B x C in./mm	Inside Dimensions		Steel Panel	Aluminum Panel	Panel Size D x E in./mm	Mounting G x H in./mm	Overall L x W in./mm	F in./mm	J in./mm	K in./mm	V in./mm	X in./mm	Y in./mm
		A x B x C in./mm	in./mm											
A645JFGR	6.00 x 4.00 x 5.00	5.50 x 4.00 x 4.94	No Panel	No Panel	No Panel	4.75 x 2.00	6.00 x 4.50	4.41	4.13	1.00	--	4.22	3.59	
	152 x 102 x 127	140 x 102 x 125	No Panel	No Panel	No Panel	121 x 51	152 x 114	112	105	25	--	107	91	
A845JFGR	8.00 x 4.00 x 5.00	7.50 x 4.00 x 4.94	A6P4	A6P4AL	4.88 x 2.88	6.75 x 2.00	8.00 x 4.50	4.41	4.13	1.00	0.31	6.22	3.59	
	203 x 102 x 127	191 x 102 x 125	A6P4	A6P4AL	124 x 73	171 x 51	203 x 114	112	105	25	8	158	91	
A865JFGR	8.00 x 6.00 x 5.00	7.50 x 6.00 x 5.19	A6P6	A6P6AL	4.88 x 4.88	6.75 x 4.00	8.00 x 6.50	4.66	4.38	1.00	0.31	6.22	5.59	
	203 x 152 x 127	191 x 152 x 132	A6P6	A6P6AL	124 x 124	171 x 102	203 x 165	118	111	25	8	158	142	
A1066JFGR	10.00 x 6.00 x 6.00	9.50 x 6.00 x 5.69	A8P6	A8P6AL	6.75 x 4.88	8.75 x 4.00	10.00 x 6.50	5.16	4.63	1.25	0.25	8.12	5.50	
	254 x 152 x 152	241 x 152 x 145	A8P6	A8P6AL	171 x 124	222 x 102	254 x 165	131	118	32	6	206	140	
A1287JFGR	12.00 x 8.00 x 7.00	11.50 x 8.00 x 6.69	A10P8	A10P8AL	8.75 x 6.88	10.75 x 6.00	12.00 x 8.50	6.16	5.13	1.75	0.25	9.97	7.34	
	305 x 203 x 178	292 x 203 x 170	A10P8	A10P8AL	222 x 175	273 x 152	305 x 216	156	130	44	6	253	186	
A14107JFGR	14.00 x 10.00 x 7.00	13.50 x 10.00 x 7.19	A12P10	A12P10AL	10.75 x 8.88	12.75 x 8.00	14.00 x 10.50	6.66	5.63	1.75	0.25	11.97	9.34	
	356 x 254 x 178	343 x 254 x 183	A12P10	A12P10AL	273 x 226	324 x 203	356 x 267	169	143	44	6	304	237	
A16128JFGR	16.00 x 12.00 x 8.00	15.50 x 12.00 x 8.19	A14P12	A14P12AL	12.75 x 10.88	14.75 x 10.00	16.00 x 12.50	7.66	6.13	2.25	0.25	13.78	11.16	
	406 x 305 x 203	394 x 305 x 208	A14P12	A14P12AL	324 x 276	375 x 254	406 x 318	195	156	57	6	350	283	
A18149JFGR	18.00 x 14.00 x 9.00	17.50 x 14.00 x 8.69	A16P14	A16P14AL	14.75 x 12.88	16.75 x 12.00	18.00 x 14.50	8.16	6.63	2.25	0.25	15.78	13.16	
	457 x 356 x 229	445 x 356 x 221	A16P14	A16P14AL	375 x 327	425 x 305	457 x 368	207	168	57	6	401	334	

Purchase panels separately. Optional stainless steel, aluminum and composite material panels available for most sizes.

Standard Product **Solid Cover with Quick-Release Latches**

Catalog Number	Ax B x C in./mm	Inside Dimensions		Steel Panel	Aluminum Panel	Panel Size D x E in./mm	Mounting G x H in./mm	Overall L x W in./mm	F in./mm	J in./mm	K in./mm	V in./mm	X in./mm	Y in./mm	Number of Latches
		A x B x C in./mm	in./mm												
A645JFGRR	6.00 x 4.00 x 5.00	5.50 x 4.00 x 5.02	No Panel	No Panel	No Panel	4.75 x 2.00	6.00 x 5.39	4.50	4.13	1.00	--	4.22	3.59	1	
	152 x 102 x 127	140 x 102 x 128	No Panel	No Panel	No Panel	121 x 51	152 x 137	114	105	25	--	107	91	1	
A845JFGRR	8.00 x 4.00 x 5.00	7.50 x 4.00 x 5.02	A6P4	A6P4AL	4.88 x 2.88	6.75 x 2.00	8.00 x 5.39	4.50	4.13	1.00	0.31	6.22	3.59	1	
	203 x 102 x 127	191 x 102 x 128	A6P4	A6P4AL	124 x 73	171 x 51	203 x 137	114	105	25	8	158	91	1	
A865JFGRR	8.00 x 6.00 x 5.00	7.50 x 6.00 x 5.28	A6P6	A6P6AL	4.88 x 4.88	6.75 x 4.00	8.00 x 7.39	4.75	4.38	1.00	0.31	6.22	5.59	2	
	203 x 152 x 127	191 x 152 x 134	A6P6	A6P6AL	124 x 124	171 x 102	203 x 188	121	111	25	8	158	142	2	
A1066JFGRR	10.00 x 6.00 x 6.00	9.50 x 6.00 x 5.78	A8P6	A8P6AL	6.75 x 4.88	8.75 x 4.00	10.00 x 7.39	5.25	4.63	1.25	0.25	8.12	5.50	2	
	254 x 152 x 152	241 x 152 x 147	A8P6	A8P6AL	171 x 124	222 x 102	254 x 188	133	118	32	6	206	140	2	
A1287JFGRR	12.00 x 8.00 x 7.00	11.50 x 8.00 x 6.78	A10P8	A10P8AL	8.75 x 6.88	10.75 x 6.00	12.00 x 9.39	6.25	5.13	1.75	0.25	9.97	7.34	2	
	305 x 203 x 178	292 x 203 x 172	A10P8	A10P8AL	222 x 175	273 x 152	305 x 239	159	130	44	6	253	186	2	
A14107JFGRR	14.00 x 10.00 x 7.00	13.50 x 10.00 x 7.28	A12P10	A12P10AL	10.75 x 8.88	12.75 x 8.00	14.00 x 11.39	6.75	5.63	1.75	0.25	11.97	9.34	2	
	356 x 254 x 178	343 x 254 x 185	A12P10	A12P10AL	273 x 226	324 x 203	356 x 289	171	143	44	6	304	237	2	
A16128JFGRR	16.00 x 12.00 x 8.00	15.50 x 12.00 x 8.28	A14P12	A14P12AL	12.75 x 10.88	14.75 x 10.00	16.00 x 13.39	7.75	6.13	2.25	0.25	13.78	11.16	2	
	406 x 305 x 203	394 x 305 x 210	A14P12	A14P12AL	324 x 276	375 x 254	406 x 340	197	156	57	6	350	283	2	
A18149JFGRR	18.00 x 14.00 x 9.00	17.50 x 14.00 x 8.78	A16P14	A16P14AL	14.75 x 12.88	16.75 x 12.00	18.00 x 15.39	8.25	6.63	2.25	0.25	15.78	13.16	2	
	457 x 356 x 229	445 x 356 x 223	A16P14	A16P14AL	375 x 327	425 x 305	457 x 391	210	168	57	6	401	334	2	

Purchase panels separately. Optional stainless steel, aluminum and composite material panels available for most sizes.

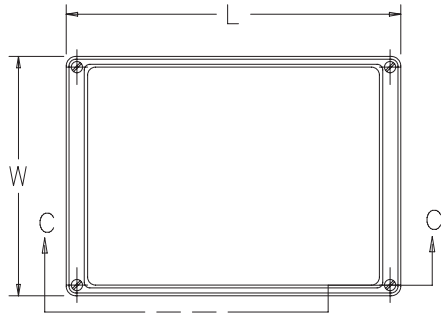
Standard Product **Window Cover with Quick-Release Latches**

Catalog Number	Ax B x C in./mm	Inside Dimensions		Steel Panel	Aluminum Panel	Panel Size D x E in./mm	Mounting G x H in./mm	Overall L x W in./mm	Window Size				Number of Latches
		A x B x C in./mm	in./mm						M x N in./mm	F in./mm	J in./mm	K in./mm	
A865JFGQPWR	8.00 x 6.00 x 5.00	7.50 x 6.00 x 5.03	A6P6	A6P6AL	4.88 x 4.88	6.75 x 4.00	8.00 x 7.39	4.55 x 4.00	4.52	4.38	1.00	0.31	1
	203 x 152 x 127	191 x 152 x 128	A6P6	A6P6AL	124 x 124	171 x 102	203 x 188	116 x 102	115	111	25	8	1
A1066JFGQPWR	10.00 x 6.00 x 6.00	9.50 x 6.00 x 5.53	A8P6	A8P6AL	6.75 x 4.88	8.75 x 4.00	10.00 x 7.39	6.55 x 4.00	5.00	4.63	1.25	0.25	2
	254 x 152 x 152	241 x 152 x 140	A8P6	A8P6AL	171 x 124	222 x 102	254 x 188	166 x 102	127	118	32	6	2
A1287JFGQPWR	12.00 x 8.00 x 7.00	11.50 x 8.00 x 6.53	A10P8	A10P8AL	8.75 x 6.88	10.75 x 6.00	12.00 x 9.39	8.25 x 5.84	6.00	5.13	1.75	0.25	2
	305 x 203 x 178	292 x 203 x 166	A10P8	A10P8AL	222 x 175	273 x 152	305 x 239	210 x 148	152	130	44	6	2
A14107JFGQPWR	14.00 x 10.00 x 7.00	13.50 x 10.00 x 7.03	A12P10	A12P10AL	10.75 x 8.88	12.75 x 8.00	14.00 x 11.39	10.28 x 6.84	6.52	5.63	1.75	0.25	2
	356 x 254 x 178	343 x 254 x 179	A12P10	A12P10AL	273 x 226	324 x 203	356 x 289	261 x 174	166	143	44	6	2
A16128JFGQPWR	16.00 x 12.00 x 8.00	15.50 x 12.00 x 8.03	A14P12	A14P12AL	12.75 x 10.88	14.75 x 10.00	16.00 x 13.39	12.34 x 9.10	7.52	6.13	2.25	0.25	2
	406 x 305 x 203	394 x 305 x 204	A14P12	A14P12AL	324 x 276	375 x 254	406 x 340	313 x 231	191	156	57	6	2
A18149JFGQPWR	18.00 x 14.00 x 9.00	17.50 x 14.00 x 8.53	A16P14	A16P14AL	14.75 x 12.88	16.75 x 12.00	18.00 x 15.39	14.45 x 11.06	8.00	6.63	2.25	0.25	2
	457 x 356 x 229	445 x 356 x 217	A16P14	A16P14AL	375 x 327	425 x 305	457 x 391	367 x 281	203	168	57	6	2

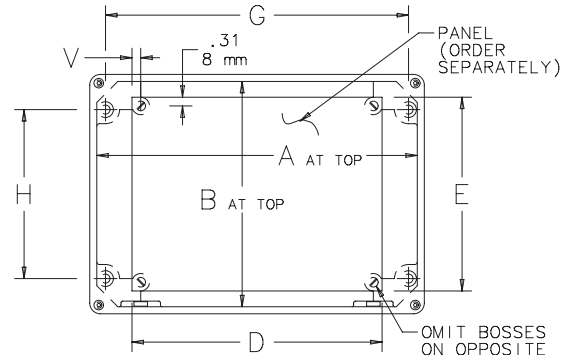
Purchase panels separately. Optional stainless steel, aluminum and composite material panels available for most sizes.

Continuous Hinge

Solid Screw Cover Enclosure

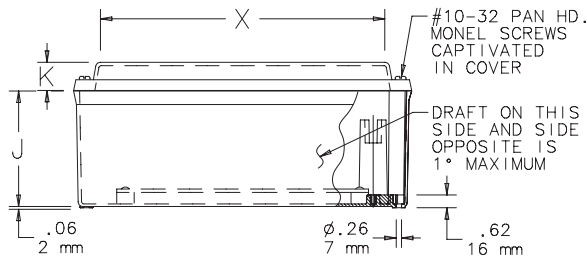


TOP VIEW WITH COVER

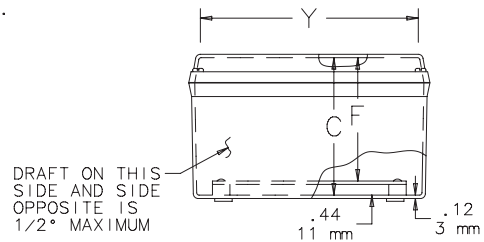


TOP VIEW WITH COVER REMOVED

NOTE: Panel screws have #10-32 threads.



SECTION C-C

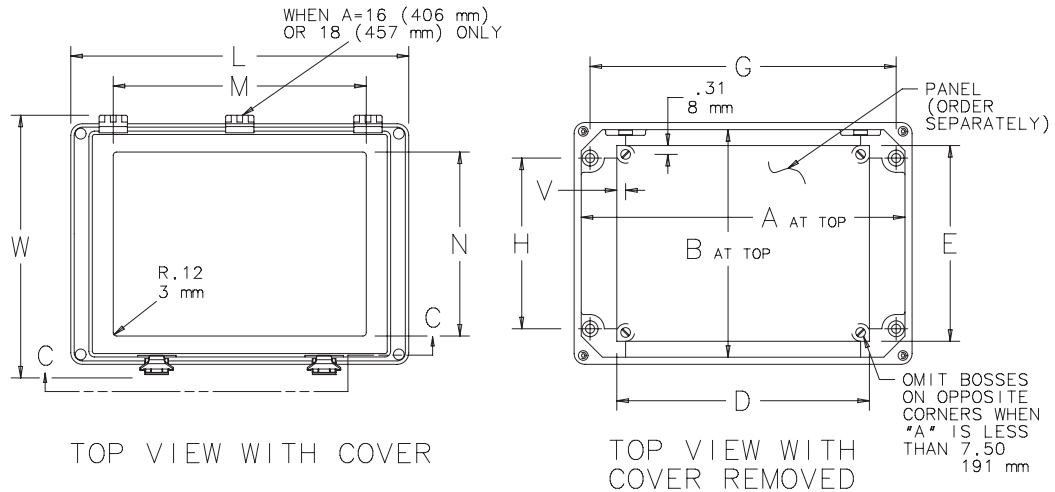


END VIEW

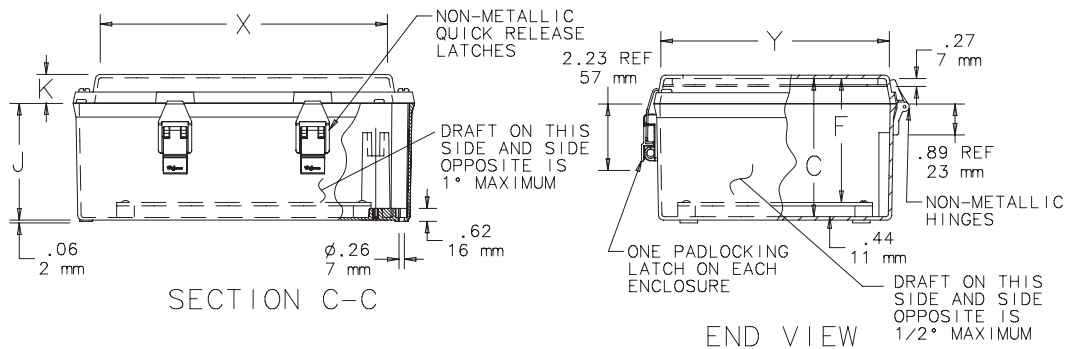
C2549-C

Continuous Hinge

Quick-Release Solid Cover Enclosure and Window Cover Enclosure



NOTE: 1. Panel screws have #10-32 threads.
2. Hinged cover opens 200° maximum.



C2550-C

Fiberglass Mounting Bracket Kit



Bracket is molded from fiberglass reinforced polyester. Kit includes four brackets, hardware and installation instructions. Mounting hole dimensions with mounting brackets installed are:

$[G + 2.50 (64 \text{ mm})] \times [H + .50 (13 \text{ mm})]$

See Screw- or Hinged-Cover with Quick-Release Latch, Type 4X tables for G and H dimensions.

Bulletin: A50Y

Catalog Number
A50MFKR

Overlapping Cover

Raised Cover with Screws, Type 4X



Industry Standards

UL 508A Listed; Type 3, 3R, 4, 4X, 12, 13; File No. E54315
 cUL Listed per CSA C22.2 No 94; Type 3, 3R, 4, 4X, 12, 13; File No. E54315
 Enclosure flammability per UL 508A

NEMA/EEMAC Type 3, 3R, 4, 4X, 12, 13
 CSA File No. 217184: Type 3, 3R, 4, 4X, 12, 13
 IEC 60529, IP66
 Meets NEMA Type 3RX requirements

Application

Enclosures feature a raised, overlapping-cover design that ensures a more-secure seal and offers increased internal space for mounting components. Available with removable and hinged covers for application flexibility.

Specifications

- Compression-molded fiberglass construction
- Overlapping solid raised-cover
- Cover fastens with screws
- Type 304 stainless steel piano hinges on hinged models
- Integral mounting brackets
- Enclosures protect equipment and operators from indirect electrical contact

Finish

Fiberglass material is RAL 7035 light-gray inside and out. Optional steel panels are painted white. Optional stainless steel, aluminum, conductive and composite panels are unpainted.

Accessories

See also *Accessories*.
 H2OMIT® Vent Drains, Type 4X
 HOL-SEALERS™ Non-Metallic Hole Seals
 Panels for Junction Boxes
 Swing-Out Panel Kit
 Terminal Block Kit Assembly for Junction Boxes Overview

Modification and Customization

Hoffman excels at modifying and customizing products to your specifications. Contact your local Hoffman sales office or distributor for complete information.

Bulletin: HJ

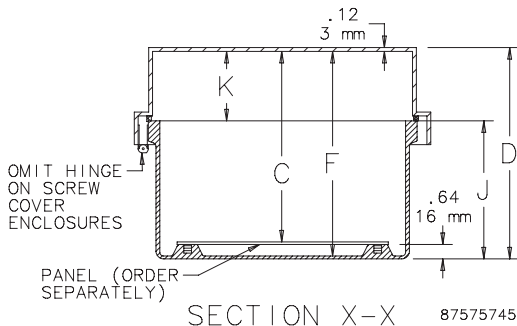
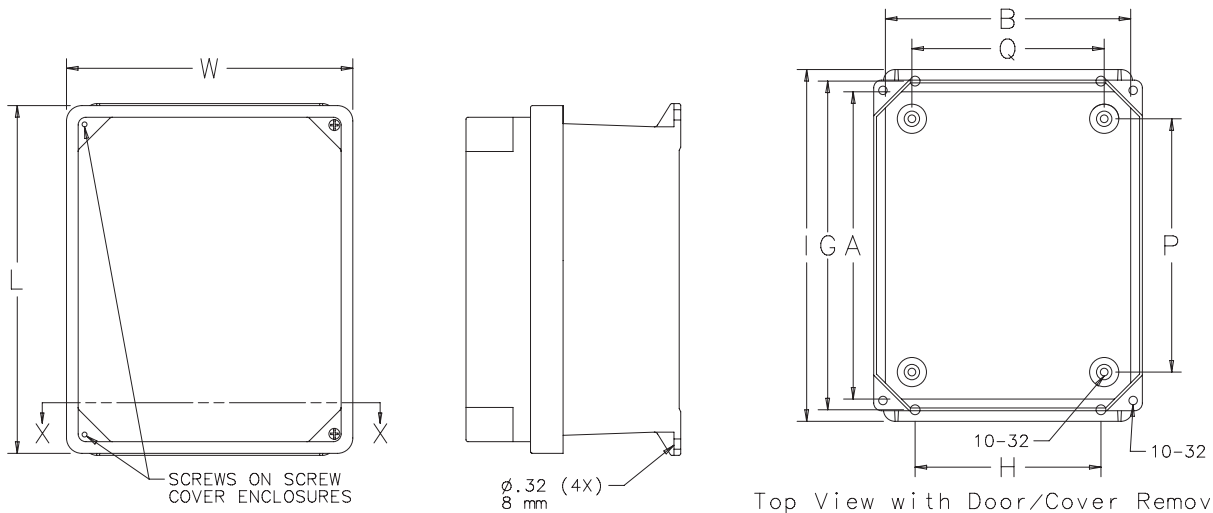
Overlapping Cover

Standard Product

Catalog Number	AxBxC in./mm	Door Fasteners	D in./mm	F in./mm	G in./mm	H in./mm	I in./mm	J in./mm	K in./mm	L in./mm	O in./mm	P in./mm	Q in./mm	W in./mm	Steel Panel	Alum Panel	Panel Size in./mm
RHJ1008HWLG	10.00 x 8.00 x 6.19 254 x 203 x 157	Hinged, 2 screws	6.93 176	6.61 168	10.75 273	6.02 153	11.52 293	4.54 115	2.27 58	11.31 287	3.15 80	8.25 210	6.24 158	9.31 276	A10P8	A10P8AL	8.75 x 6.88 222 x 102
RHJ1008WLG	10.00 x 8.00 x 6.19 254 x 203 x 157	4 screws	6.93 176	6.61 168	10.75 273	6.02 153	11.52 293	4.54 115	2.27 58	11.31 287	3.15 80	8.25 210	6.24 158	9.31 276	A10P8	A10P8AL	8.75 x 6.88 222 x 102
RHJ1210HWLG	12.00 x 10.00 x 6.37 305 x 254 x 162	Hinged, 2 screws	7.10 180	6.77 172	12.75 324	8.01 203	13.51 343	4.71 120	2.27 58	13.30 338	3.25 80	10.25 260	8.25 210	11.29 211	A12P10	A12P10AL	10.75 x 8.88 273 x 226
RHJ1210WLG	12.00 x 10.00 x 6.37 305 x 254 x 162	4 screws	7.10 180	6.77 172	12.75 324	8.01 203	13.51 343	4.71 120	2.27 58	13.30 338	3.15 80	10.25 260	8.25 210	11.29 211	A12P10	A12P10AL	10.75 x 8.88 273 x 226
RHJ1412HWLG	14.00 x 12.00 x 7.37 356 x 305 x 187	Hinged, 2 screws	8.19 208	7.87 200	14.75 375	10.00 254	15.50 394	5.68 144	2.39 61	15.21 389	3.27 83	12.25 311	10.24 260	13.30 338	A14P12	A14P12AL	12.75 x 10.88 324 x 276
RHJ1412WLG	14.00 x 12.00 x 7.37 356 x 305 x 187	4 screws	8.19 208	7.87 200	14.75 375	10.00 254	15.50 394	5.68 144	2.39 61	15.32 389	3.27 83	12.25 311	10.24 260	13.30 338	A14P12	A14P12AL	12.75 x 10.88 324 x 276
RHJ1614HWLG	16.00 x 14.00 x 7.37 406 x 356 x 187	Hinged, 2 screws	8.19 208	7.87 200	16.73 425	12.00 305	17.52 445	5.68 144	2.39 61	17.31 440	3.27 83	14.25 362	12.24 311	15.30 289	A16P14	A16P14AL	14.75 x 12.88 375 x 327
RHJ1614WLG	16.00 x 14.00 x 7.37 406 x 356 x 187	4 screws	8.19 208	7.87 200	16.73 425	12.00 305	17.52 445	5.68 144	2.39 61	17.31 440	3.27 83	14.25 362	12.24 311	15.30 289	A16P14	A16P14AL	14.75 x 12.88 375 x 327
RHJ1816HWLG	18.00 x 16.00 x 10.25 457 x 406 x 260	Hinged, 2 screws	11.07 281	10.83 275	18.74 476	12.00 305	19.50 495	8.56 217	2.39 61	19.32 491	3.27 83	16.25 413	14.25 362	17.31 440	A18P16	A18P16AL	16.75 x 14.88 425 x 378
RHJ1816WLG	18.00 x 16.00 x 10.25 457 x 406 x 260	4 screws	11.07 281	10.83 275	18.74 476	12.00 305	19.50 495	8.56 217	2.39 61	19.32 491	3.27 83	16.25 413	14.25 362	17.31 440	A18P16	A18P16AL	16.75 x 14.88 425 x 378

A x B x C are internal dimensions.

Purchase panels separately. Optional stainless steel, composite and aluminum panels are available for most sizes.



Overlapping Cover

Raised Cover with Latches, Type 4X



Industry Standards

UL 508A Listed; Type 3, 3R, 4, 4X, 12, 13; File No. E54315
 cUL Listed per CSA C22.2 No 94; Type 3, 3R, 4, 4X, 12, 13; File No. E54315
 Enclosure flammability per UL 508A

NEMA/EEMAC Type 3, 3R, 4, 4X, 12, 13
 CSA File No. 217184: Type 3, 3R, 4, 4X, 12, 13
 IEC 60529, IP66
 Meets NEMA Type 3RX requirements

Application

Enclosures feature a raised, hinged, overlapping cover design that ensures a more-secure seal and offers increased internal space for mounting components. Available with solid and window covers. Latches provide easy access and security.

Specifications

- Compression-molded fiberglass construction
- Overlapping raised solid- and window-covers
- Windows are clear polycarbonate
- Cover fastens with padlockable Type 316 stainless steel latches
- Type 304 stainless steel piano hinges
- Integral mounting brackets

- Enclosures protect equipment and operators from indirect electrical contact

Finish

Fiberglass material is RAL 7035 light-gray inside and out. Optional steel panels are painted white. Optional stainless steel, aluminum, conductive and composite panels are unpainted.

Accessories

See also Accessories.
 H2OMIT® Vent Drains, Type 4X
 HOL-SEALERS™ Non-Metallic Hole Seals
 Panels for Junction Boxes
 Swing-Out Panel Kit
 Terminal Block Kit Assembly for Junction Boxes Overview

Modification and Customization

Hoffman excels at modifying and customizing products to your specifications. Contact your local Hoffman sales office or distributor for complete information.

Bulletin: HJ

Standard Product

Catalog Number	Ax B x C in./mm	No. of Latches	Window Size												
			M x N in./mm	D in./mm	F in./mm	G in./mm	H in./mm	I in./mm	J in./mm	K in./mm	L in./mm	O in./mm	P in./mm	Q in./mm	W in./mm
RHJB1008HWPL1LG	10.00 x 8.00 x 6.19	1	8.00 x 6.00	6.93	6.61	10.75	6.02	11.52	4.54	2.27	11.31	3.15	8.25	6.24	9.31
	254 x 203 x 157		203 x 152	176	168	273	153	293	115	58	287	80	210	158	276
RHJB1210HWPL2LG	12.00 x 10.00 x 6.37	2	10.00 x 8.00	7.10	6.77	12.75	8.01	13.51	4.71	2.27	13.30	3.15	10.25	8.25	11.29
	305 x 254 x 162		254 x 203	180	172	324	203	343	120	58	338	80	260	210	211
RHJB1412HWPL2LG	14.00 x 12.00 x 7.37	2	12.00 x 10.00	8.19	7.87	14.75	10.00	15.50	5.68	2.39	15.32	3.27	12.25	10.24	13.30
	356 x 305 x 187		305 x 254	208	200	375	254	394	144	61	389	83	311	260	338
RHJB1614HWPL2LG	16.00 x 14.00 x 7.37	2	14.00 x 12.00	8.19	7.87	16.73	12.00	17.52	5.68	2.39	17.31	3.27	14.25	12.24	15.30
	406 x 356 x 187		356 x 305	208	200	425	305	445	144	61	440	83	362	311	289
RHJ1008HWPL1LG	10.00 x 8.00 x 6.19	1	---	6.93	6.61	10.75	6.02	11.52	4.54	2.27	11.31	3.15	8.25	6.24	9.31
	254 x 203 x 157		---	176	168	273	153	296	115	58	287	80	210	158	276
RHJ1210HWPL2LG	12.00 x 10.00 x 6.37	2	---	7.10	6.77	12.75	8.01	13.51	4.71	2.27	13.30	3.15	10.58	8.25	11.29
	305 x 254 x 162		---	180	172	324	203	343	120	58	338	80	260	210	211
RHJ1412HWPL2LG	14.00 x 12.00 x 7.37	2	---	8.19	7.87	14.75	10.00	15.50	5.68	2.39	15.32	3.27	12.25	10.24	13.30
	356 x 305 x 187		---	208	200	375	254	394	144	61	389	83	311	260	338
RHJ1614HWPL2LG	16.00 x 14.00 x 7.37	2	---	8.19	7.87	16.73	12.00	17.52	5.68	2.39	17.31	3.27	14.25	12.24	15.30
	406 x 356 x 187		---	208	200	425	305	445	144	61	440	83	362	311	289
RHJ1816HWPL2LG	18.00 x 16.00 x 10.25	2	---	11.07	10.83	18.74	12.00	19.50	8.56	2.39	19.32	3.27	16.25	14.25	17.31
	457 x 406 x 260		---	281	275	476	305	495	217	61	491	83	413	362	440

A x B x C are internal dimensions.

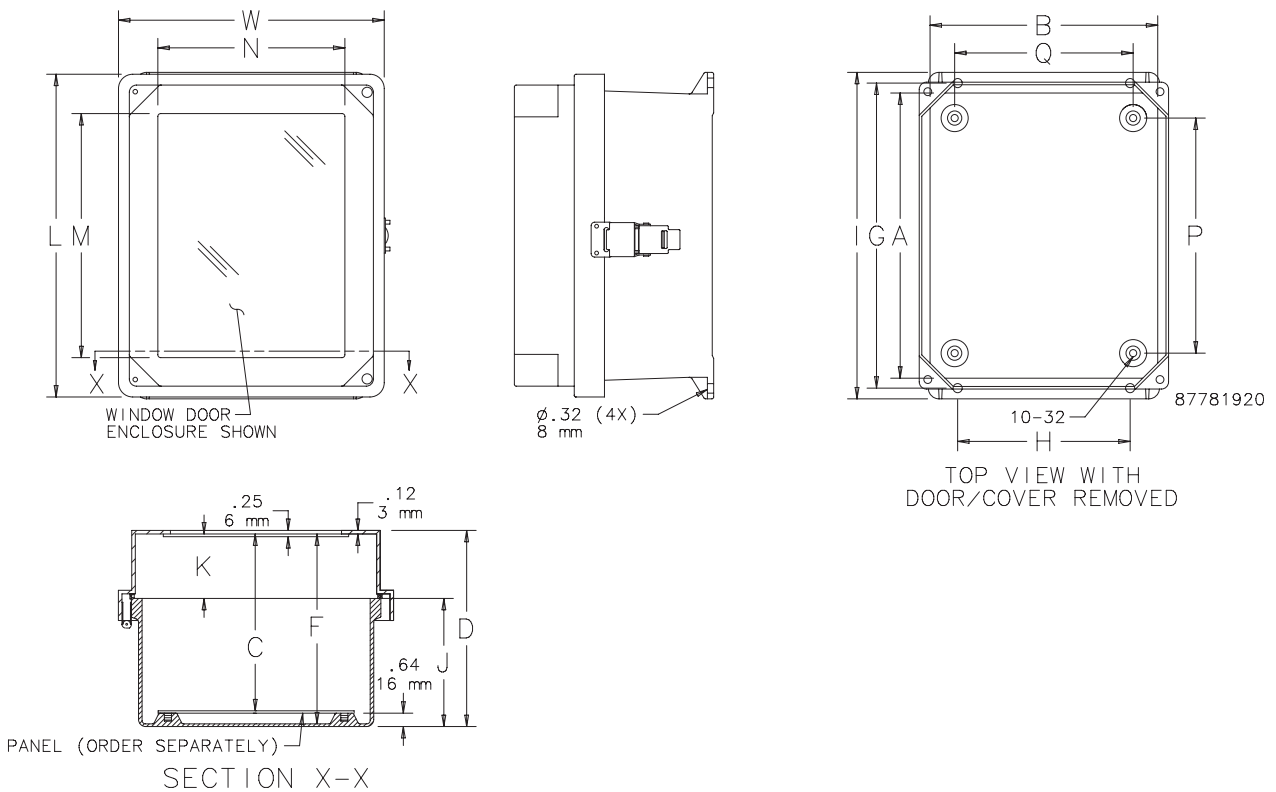
Purchase panels separately. Optional stainless steel, composite and aluminum panels are available for most sizes.

Overlapping Cover

Panels

Enclosure Catalog Number	Steel Panel	Aluminum Panel	Panel Size in./mm
RHJB1008HWPL1LG	A10P8	A10P8AL	8.75 x 6.88 222 x 102
RHJB1210HWPL2LG	A12P10	A12P10AL	10.75 x 8.88 273 x 226
RHJB1412HWPL2LG	A14P12	A14P12AL	12.75 x 10.88 324 x 276
RHJB1614HWPL2LG	A16P14	A16P14AL	14.75 x 12.88 375 x 327
RHJ1008HWPL1LG	A10P8	A10P8AL	8.75 x 6.88 222 x 102
RHJ1210HWPL2LG	A12P10	A12P10AL	10.75 x 8.88 273 x 226
RHJ1412HWPL2LG	A14P12	A14P12AL	12.75 x 10.88 324 x 276
RHJ1614HWPL2LG	A16P14	A16P14AL	14.75 x 12.88 375 x 327
RHJ1816HWPL2LG	A18P16	A18P16AL	16.75 x 14.88 425 x 378

Raised Cover Window Enclosures



Overlapping Cover

Flat Cover with Screws, Type 4X



Industry Standards

UL 508A Listed; Type 3, 3R, 4, 4X, 12, 13; File No. E54315
 cUL Listed per CSA C22.2 No 94; Type 3, 3R, 4, 4X, 12, 13; File No. E54315
 Enclosure flammability per UL 508A

NEMA/EEMAC Type 3, 3R, 4, 4X, 12, 13
 CSA File No. 217184: Type 3, 3R, 4, 4X, 12, 13
 IEC 60529, IP66
 Meets NEMA Type 3RX requirements

Application

Enclosures feature a flat, overlapping cover design that ensures a more-secure seal. Available with removable and hinged covers for application flexibility.

Specifications

- Compression-molded fiberglass construction
- Overlapping flat, solid-covers
- Cover fastens with screws
- Type 304 stainless steel piano hinges on hinged models
- Integral mounting brackets
- Enclosures protect equipment and operators from indirect electrical contact

Finish

Fiberglass material is RAL 7035 light-gray inside and out. Optional steel panels are painted white. Optional stainless steel, aluminum, conductive and composite panels are unpainted.

Accessories

See also Accessories.
 H2OMIT® Vent Drains, Type 4X
 HOL-SEALERS™ Non-Metallic Hole Seals
 Panels for Junction Boxes
 Swing-Out Panel Kit
 Terminal Block Kit Assembly for Junction Boxes Overview

Bulletin: HJ

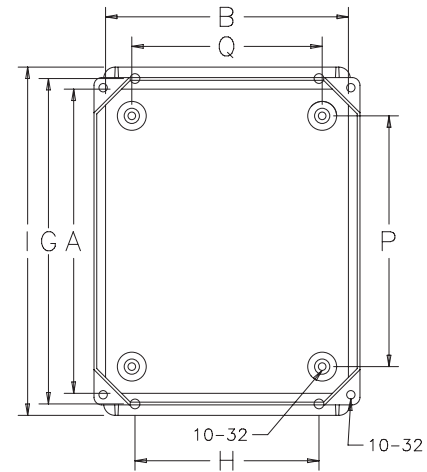
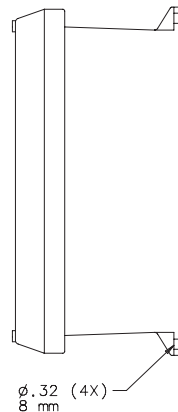
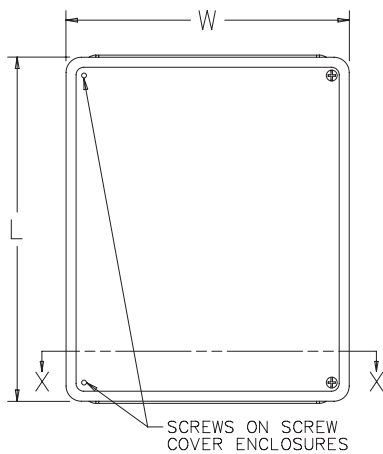
Overlapping Cover

Standard Product

Catalog Number	AxBxC in./mm	Door Fasteners	D in./mm	F in./mm	G in./mm	H in./mm	I in./mm	J in./mm	K in./mm	L in./mm	O in./mm	P in./mm	Q in./mm	W in./mm	Steel Panel	Aluminum Panel	Panel Size in./mm
HJ606HWLG	6.00 x 6.00 x 4.10	Hinged,	4.96	4.64	6.77	4.01	7.52	4.34	0.50	7.31	1.38	4.26	4.25	7.31	A6P6	A6P6AL	4.88 x 4.88
	152 x 152 x 104	2 screws	126	118	172	102	191	110	13	186	35	108	108	186			124 x 124
HJ606WLG	6.00 x 6.00 x 4.10	4 screws	4.96	4.64	6.77	4.01	7.52	4.34	0.50	7.31	1.38	4.26	4.25	7.31	A6P6	A6P6AL	4.88 x 4.88
	152 x 152 x 104		126	118	172	102	191	110	13	186	35	108	108	186			124 x 124
HJ806HWLG	8.00 x 6.00 x 4.10	Hinged,	4.96	4.64	8.74	4.01	9.50	3.19	1.65	9.30	1.77	6.25	4.25	7.31	A8P6	A8P6AL	6.75 x 4.88
	203 x 152 x 104	2 screws	126	118	222	102	241	81	42	236	45	159	108	186			171 x 124
HJ806WLG	8.00 x 6.00 x 4.10	4 screws	4.96	4.64	8.74	4.01	9.50	3.19	1.65	9.30	1.77	6.26	4.25	7.31	A8P6	A8P6AL	6.75 x 4.88
	203 x 152 x 104		126	118	222	102	241	81	42	236	45	159	108	186			171 x 124
HJ1008HWLG	10.00 x 8.00 x 4.59	Hinged,	5.43	5.12	10.75	6.02	11.52	3.55	1.65	11.31	1.77	8.25	3.24	9.31	A10P8	A10P8AL	8.75 x 6.88
	254 x 203 x 117	2 screws	138	130	273	153	293	93	42	287	45	210	158	236			222 x 102
HJ1008WLG	10.00 x 8.00 x 4.59	4 screws	5.43	5.12	10.75	6.02	11.52	3.88	1.65	11.31	1.77	8.25	6.24	9.31	A10P8	A10P8AL	8.75 x 6.88
	254 x 203 x 117		138	130	273	153	293	93	42	287	45	210	158	236			222 x 102
HJ1210HWLG	12.00 x 10.00 x 4.74	Hinged,	5.58	5.24	12.75	8.01	13.51	3.81	1.65	13.30	1.77	10.25	8.25	11.29	A12P10	A12P10AL	10.75 x 8.88
	305 x 254 x 120	2 screws	142	133	324	203	343	97	42	338	45	160	210	287			273 x 226
HJ1210WLG	12.00 x 10.00 x 4.74	4 screws	5.58	5.24	12.75	8.01	13.51	3.81	1.65	13.30	1.77	10.25	8.25	11.29	A12P10	A12P10AL	10.75 x 8.88
	305 x 254 x 120		142	133	324	203	343	97	42	338	45	160	210	287			273 x 226
HJ1412HWLG	14.00 x 12.00 x 5.74	Hinged,	6.70	6.38	14.75	10.00	15.50	4.93	1.65	15.32	1.77	12.25	10.24	13.30	A14P12	A14P12AL	12.75 x 10.88
	356 x 305 x 146	2 screws	170	162	375	254	394	125	42	389	45	311	260	338			324 x 276
HJ1412WLG	14.00 x 12.00 x 5.74	4 screws	6.70	6.38	14.75	10.00	15.50	4.93	1.65	15.32	1.77	12.25	10.24	13.30	A14P12	A14P12AL	12.75 x 10.88
	356 x 305 x 146		170	162	375	254	394	125	42	389	45	311	260	338			324 x 276
HJ1614HWLG	16.00 x 14.00 x 5.74	Hinged,	6.70	6.38	16.75	12.00	14.52	4.93	1.65	17.31	1.77	14.25	12.24	15.30	A16P14	A16P14AL	14.75 x 12.88
	406 x 356 x 146	2 screws	170	162	425	305	445	125	42	440	45	362	311	389			375 x 327
HJ1614WLG	16.00 x 14.00 x 5.74	4 screws	6.70	6.38	16.73	12.00	17.52	4.93	1.65	17.31	1.77	14.25	12.24	15.30	A16P14	A16P14AL	14.75 x 12.88
	406 x 356 x 146		170	162	425	305	445	125	42	440	45	362	311	389			375 x 327
HJ1816HWLG	18.00 x 16.00 x 8.62	Hinged,	9.58	9.25	18.74	12.00	19.50	7.81	1.65	19.31	1.77	16.25	14.25	17.31	A18P16	A18P16AL	16.75 x 14.88
	457 x 406 x 219	2 screws	243	235	476	305	495	198	42	490	45	413	362	440			425 x 378
HJ1816WLG	18.00 x 16.00 x 8.62	4 screws	9.58	9.25	18.47	12.00	19.50	7.81	1.65	19.31	1.77	16.25	14.25	17.31	A18P16	A18P16AL	16.75 x 14.88
	457 x 406 x 219		243	235	476	305	495	198	42	490	45	413	362	440			375 x 378

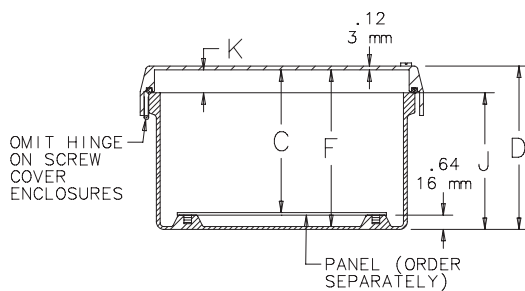
A x B x C are internal dimensions.

Purchase panels separately. Optional stainless steel, composite and aluminum panels are available for most sizes.



Top View with Door/Cover Removed

87575746



SECTION X-X

Overlapping Cover

Flat Cover with Latches, Type 4X



Industry Standards

UL 508A Listed; Type 3, 3R, 4, 4X, 12, 13; File No. E54315
 cUL Listed per CSA C22.2 No 94; Type 3, 3R, 4, 4X, 12, 13; File No. E54315
 Enclosure flammability per UL 508A

NEMA/EEMAC Type 3, 3R, 4, 4X, 12, 13
 CSA File No. 217184: Type 3, 3R, 4, 4X, 12, 13
 IEC 60529, IP66
 Meets NEMA Type 3RX requirements

Application

Enclosures feature a flat, overlapping cover design that ensures a more-secure seal. Available with solid and window covers. Latches provide easy access and security.

Specifications

- Compression-molded fiberglass construction
- Overlapping solid- and window-cover models are available
- Windows are clear polycarbonate
- Cover fastens with padlockable Type 316 stainless steel latches
- Type 304 stainless steel piano hinges
- Integral mounting brackets
- Enclosures protect equipment and operators from indirect electrical contact

Finish

Fiberglass material is RAL 7035 light-gray inside and out. Optional steel panels are painted white. Optional stainless steel, aluminum, conductive and composite panels are unpainted.

Accessories

See also Accessories.
 H2OMIT® Vent Drains, Type 4X
 HOL-SEALERS™ Non-Metallic Hole Seals
 Panels for Junction Boxes
 Swing-Out Panel Kit
 Terminal Block Kit Assembly for Junction Boxes Overview

Modification and Customization

Hoffman excels at modifying and customizing products to your specifications. Contact your local Hoffman sales office or distributor for complete information.

Bulletin: HJ

Overlapping Cover

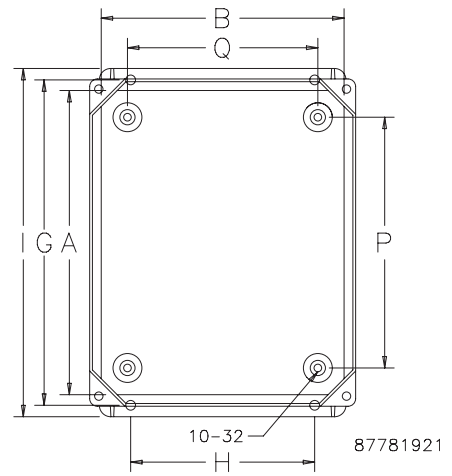
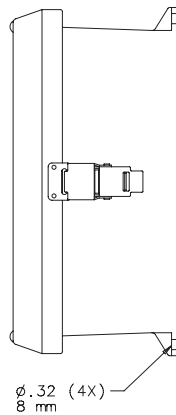
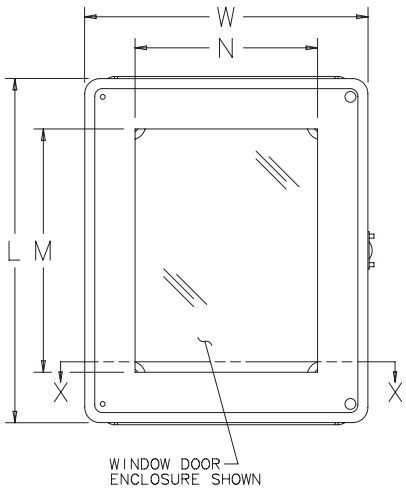
Standard Product

Catalog Number	Ax B x Cin./mm	No. of Latches	Window Size													Steel Panel	Aluminum Panel	Panel Size in./mm
			M x N in./mm	D in./mm	F in./mm	G in./mm	H in./mm	I in./mm	J in./mm	K in./mm	L in./mm	P in./mm	Q in./mm	W in./mm				
HJ606HWPL1LG	6.00 x 6.00 x 4.10	1	—	4.96	4.64	6.77	4.01	7.52	4.34	0.50	7.31	4.26	4.25	7.31	A6P6	A6P6AL	4.88 x 4.88	
	152 x 152 x 104	—	—	126	118	172	102	191	110	13	186	108	105	186			124 x 124	
HJ806HWPL1LG	8.00 x 6.00 x 4.10	1	—	4.96	4.64	8.74	4.01	9.50	3.19	1.65	9.30	6.26	4.25	7.31	A8P6	A8P6AL	6.75 x 4.88	
	203 x 152 x 104	—	—	126	118	222	102	241	81	42	276	159	108	186			171 x 124	
HJ1008HWPL1LG	10.00 x 8.00 x 4.59	1	—	5.43	5.12	10.75	6.02	11.52	3.66	1.65	11.31	8.25	6.24	9.31	A10P8	A10P8AL	8.75 x 6.88	
	254 x 203 x 117	—	—	138	130	276	153	293	93	42	287	210	158	236			222 x 102	
HJ1210HWPL2LG	12.00 x 10.00 x 4.74	2	—	5.58	5.25	12.75	8.01	13.51	3.81	1.65	13.30	10.25	8.25	11.29	A12P10	A12P10AL	10.75 x 8.88	
	305 x 254 x 120	—	—	142	133	324	203	343	97	42	338	260	210	287			273 x 226	
HJ1412HWPL2LG	14.00 x 12.00 x 5.74	2	—	6.70	6.38	14.75	10.00	15.50	4.93	1.65	15.32	12.25	10.24	13.30	A14P12	A14P12AL	12.75 x 10.88	
	356 x 305 x 146	—	—	170	162	375	254	394	125	42	389	311	260	338			324 x 276	
HJ1614HWPL2LG	16.00 x 14.00 x 5.74	2	—	6.70	6.38	16.73	12.00	17.52	4.93	1.65	17.31	14.25	12.24	15.30	A16P14	A16P14AL	14.75 x 12.88	
	406 x 356 x 146	—	—	170	162	425	305	445	125	42	440	362	311	389			375 x 327	
HJ1816HWPL2LG	18.00 x 16.00 x 8.62	2	—	9.58	9.25	18.74	12.00	19.50	7.81	1.65	19.31	16.25	14.25	17.31	A18P16	A18P16AL	16.75 x 14.88	
	457 x 406 x 219	—	—	243	235	476	305	495	198	42	490	413	362	440			425 x 378	
HJB606HWPL1LG	6.00 x 6.00 x 4.10	1	4.00 x 4.00	4.96	4.64	6.77	4.01	7.52	4.34	0.50	7.31	4.25	4.25	7.31	A6P6	A6P6AL	4.88 x 4.88	
	152 x 152 x 104	—	102 x 102	126	118	172	102	191	110	13	186	108	108	186			124 x 124	
HJB806HWPL1LG	8.00 x 6.00 x 4.10	1	6.00 x 4.00	4.96	4.64	8.74	4.01	9.50	3.19	1.65	9.30	6.26	4.25	7.31	A8P6	A8P6AL	6.75 x 1.88	
	203 x 152 x 104	—	152 x 102	126	118	222	102	241	81	42	276	159	108	186			171 x 124	
HJB1008HWPL1LG	10.00 x 8.00 x 4.59	1	8.00 x 6.00	5.43	5.12	10.75	6.02	11.52	3.66	1.65	11.31	8.25	6.24	9.31	A10P8	A10P8AL	8.75 x 6.88	
	254 x 203 x 117	—	203 x 152	138	130	273	153	293	93	42	287	210	158	236			222 x 102	
HJB1210HWPL2LG	12.00 x 10.00 x 4.74	2	10.00 x 8.00	5.58	5.24	12.75	8.01	13.52	3.81	1.65	13.30	10.25	8.25	11.29	A12P10	A12P10AL	10.78 x 8.88	
	305 x 254 x 120	—	254 x 203	142	133	324	203	343	97	42	338	260	210	287			273 x 226	
HJB1412HWPL2LG	14.00 x 12.00 x 5.74	2	12.00 x 10.00	6.70	6.38	14.75	10.00	15.50	4.93	1.65	15.32	12.25	10.24	13.30	A14P12	A14P12AL	12.75 x 10.88	
	356 x 305 x 146	—	305 x 254	170	162	375	254	394	125	42	389	311	260	229			324 x 276	
HJB1614HWPL2LG	16.00 x 14.00 x 5.74	2	14.00 x 12.00	6.70	6.38	16.73	12.00	17.52	4.93	1.65	17.31	14.25	12.24	15.30	A16P14	A16P14AL	14.75 x 12.88	
	406 x 356 x 146	—	356 x 305	170	162	425	305	445	125	42	440	362	311	389			375 x 327	
HJB1816HWPL2LG	18.00 x 16.00 x 8.62	2	16.00 x 14.00	9.58	9.25	18.74	12.00	19.50	7.81	1.65	19.31	16.25	14.25	17.31	A18P16	A18P16AL	16.75 x 14.88	
	457 x 406 x 219	—	406 x 356	243	235	476	305	495	198	42	490	413	362	440			425 x 378	

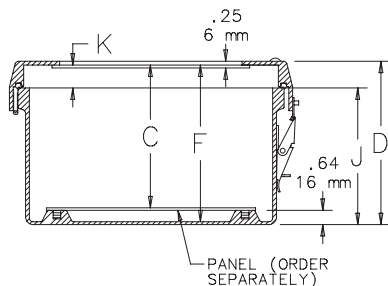
A x B x C are internal dimensions.

Purchase panels separately. Optional stainless steel, composite and aluminum panels are available for most sizes.

Flat Cover Window Enclosures



Top View with Door/Cover Removed



SECTION X-X

Overlapping Cover

Flat Clear Cover with Latches, Type 4X



Specifications

- Compression-molded fiberglass construction
- Clear polycarbonate viewing area
- Cover fastens with padlockable Type 316 stainless steel latches
- Type 304 stainless steel piano hinges
- Integral mounting brackets
- Enclosures protect equipment and operators from indirect electrical contact

Finish

Fiberglass material is RAL 7035 light-gray inside and out. Optional steel panels are painted white. Optional stainless steel, aluminum, conductive and composite panels are unpainted

Accessories

See also *Accessories*.

H2OMIT® Vent Drains, Type 4X

HOL-SEALERS™ Non-Metallic Hole Seals

Panels for Junction Boxes

Swing-Out Panel Kit

Terminal Block Kit Assembly for Junction Boxes Overview

Modification and Customization

Hoffman excels at modifying and customizing products to your specifications. Contact your local Hoffman sales office or distributor for complete information.

Bulletin: HJ

Industry Standards

UL 508A Listed; Type 3, 3R, 4, 4X, 12, 13; File No. E54315
 cUL Listed per CSA C22.2 No 94; Type 3, 3R, 4, 4X, 12, 13; File No. E54315
 Enclosure flammability per UL 508A

NEMA/EEMAC Type 3, 3R, 4, 4X, 12, 13

CSA File No. 217184: Type 3, 3R, 4, 4X, 12, 13

IEC 60529, IP66

Meets NEMA Type 3RX requirements

Application

Enclosures feature a flat, overlapping clear cover design that ensures a more-secure seal and provides a larger viewing area than a traditional window. Latches provide easy access and security.

Standard Product

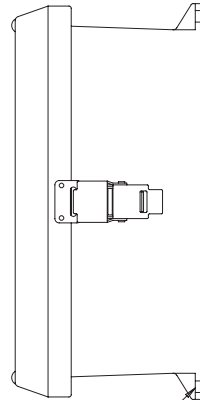
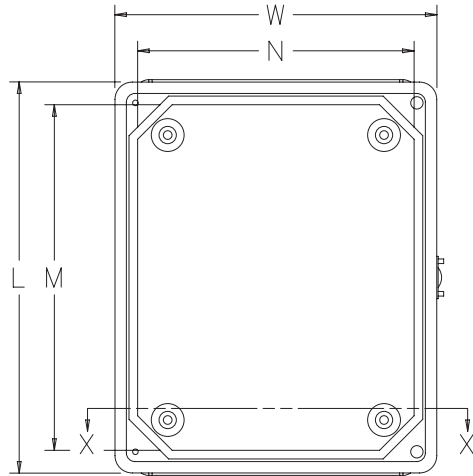
Catalog Number	Ax B x C in./mm	No. of Latches	Window Size													Steel Panel	Aluminum Panel	Panel Size in./mm
			N x M in./mm	D in./mm	F in./mm	G in./mm	H in./mm	I in./mm	J in./mm	K in./mm	L in./mm	P in./mm	Q in./mm	W in./mm				
CHJ606HWPL1LG	6.00 x 6.00 x 4.10	1	6.00 x 6.00	4.96	4.64	6.77	4.01	7.52	4.34	0.50	7.31	4.26	4.25	7.31	A6P6	A6P6AL	4.88 x 4.88	
	152 x 152 x 104		152 x 152	126	118	172	102	191	110	13	186	108	108	186			124 x 124	
CHJ806HWPL1LG	8.00 x 6.00 x 4.10	1	8.00 x 6.00	4.96	4.64	8.74	4.01	9.50	4.34	1.65	9.30	6.26	4.25	7.31	A8P6	A8P6AL	6.75 x 4.88	
	203 x 152 x 104		203 x 152	126	118	222	102	241	110	42	276	159	108	186			171 x 124	
CHJ1008HWPL1LG	10.00 x 8.00 x 4.59	1	10.00 x 8.00	5.43	5.12	10.75	6.02	11.52	3.66	1.65	11.31	8.25	6.24	9.31	A10P8	A10P8AL	8.75 x 6.88	
	254 x 203 x 117		254 x 203	138	130	273	153	293	93	42	287	210	158	236			222 x 102	
CHJ1210HWPL2LG	12.00 x 10.00 x 4.74	2	12.00 x 10.00	5.58	5.24	12.75	8.01	13.51	3.81	1.65	13.30	10.25	8.25	11.29	A12P10	A12P10AL	10.75 x 8.88	
	305 x 254 x 120		305 x 254	142	133	324	203	343	97	42	338	260	210	287			273 x 226	
CHJ1412HWPL2LG	14.00 x 12.00 x 5.74	2	14.00 x 12.00	6.70	6.38	14.75	10.00	15.50	4.93	1.65	15.32	12.25	10.24	13.30	A14P12	A14P12AL	12.75 x 10.88	
	356 x 305 x 146		356 x 305	170	162	375	254	394	125	42	389	311	260	338			324 x 276	
CHJ1614HWPL2LG	16.00 x 14.00 x 5.74	2	16.00 x 14.00	6.70	6.38	16.73	12.00	17.52	4.93	1.65	17.31	14.25	12.24	15.30	A16P14	A16P14AL	14.75 x 12.88	
	406 x 356 x 146		406 x 356	170	162	425	305	445	125	42	440	362	311	389			375 x 327	
CHJ1816HWPL2LG	18.00 x 16.00 x 8.62	2	18.00 x 16.00	9.58	9.25	18.74	12.00	19.50	7.81	1.65	19.31	16.25	14.25	17.31	A18P16	A18P16AL	16.75 x 14.88	
	457 x 406 x 219		457 x 406	243	235	476	305	495	198	42	490	413	362	440			425 x 378	

A x B x C are internal dimensions.

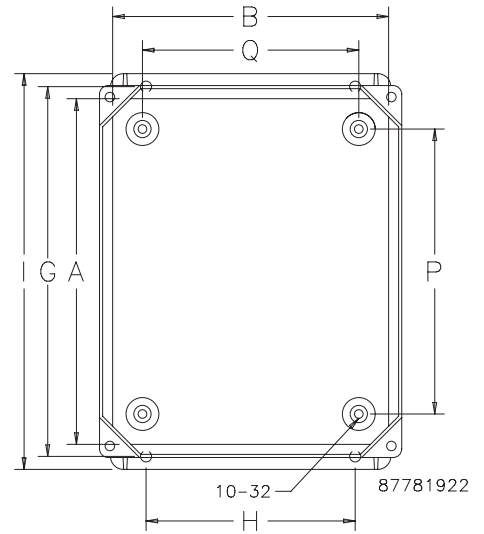
Purchase panels separately. Optional stainless steel, composite and aluminum panels are available for most sizes.

Overlapping Cover

Flat Clear Cover Window Enclosures

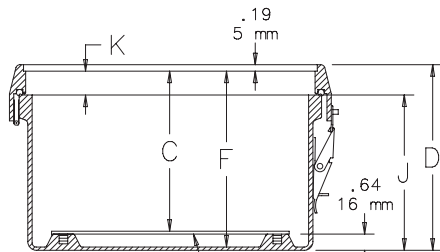


Ø.32 (4X)
8 mm



87781922

Top View with Door/Cover Removed



PANEL (ORDER SEPARATELY)

SECTION X-X

ULTRX®
ULTRX®, Type 4X

Industry Standards

Mounting brackets required to meet UL/CSA external mounting requirements.

UL 508A Listed; Type 3, 3R, 4, 4X, 12, 13; File No. E61997
 cUL Listed per CSA C22.2 No 94; Type 3, 3R, 4, 4X, 12, 13; File No. E619977
 Enclosure flammability evaluated per UL 508A
 Window flammability evaluated per UL 508A

NEMA/EEMAC Type 3, 3R, 4, 4X, 12, 13
 CSA File No. 42186: Type 3, 3R, 4, 4X, 12, 13
 IEC 60529, IP66
 Meets NEMA Type 3RX requirements

Application

Providing outstanding protection against corrosion and the elements, the clean lines and molded, embossed design of ULTRX® fiberglass enclosures make them the most stylish and aesthetically pleasing of their class. These enclosures feature hidden hinges, a padlocking capability for security, and flexible internal mounting options.

Specifications

- Compression-molded fiberglass material has excellent temperature and chemical resistance qualities and exhibits outstanding physical properties, including high-impact resistance
- Fiberglass is easily punched, drilled, filed or sawed
- Seamless foam-in-place gasket assures water-tight and dust-tight seal
- Enclosure may be rotated 180 degrees for left and right hinging
- Molded-in drip shields are standard with each enclosure
- Impact-resistant polycarbonate window is permanently bonded in place
- Fiberglass mounting brackets and stainless steel attachment screws are provided with each enclosure
- Unique hinge design allows for standard 180 degree door opening with a maximum opening of 270 degrees
- Door hinges are replaceable
- Type 316 stainless steel quarter-turn latch. Optional keylocking or padlocking handle available.
- Molded-in DIN bosses
- Molded bosses on door provide additional mounting provisions
- Integral mounting rails provide infinite panel adjustment front to back
- Optional data pocket is high-impact thermoplastic

Finish

Exterior surface painted light-gray acrylic enamel for enhanced UV protection. Optional steel panels are painted white. Optional stainless steel, aluminum, conductive and composite panels are unpainted.

Accessories

See also Accessories.
 H2OMIT® Vent Drains, Type 4X
 H2OMIT® Thermoelectric Dehumidifier
 HOL-SEALERS™ Non-Metallic Hole Seals
 Panels for Type 3R, 4, 4X, 12 and 13 Enclosures
 Rack Angles (Type RA)

Modification and Customization

Hoffman excels at modifying and customizing products to your specifications. Contact your local Hoffman sales office or distributor for complete information.

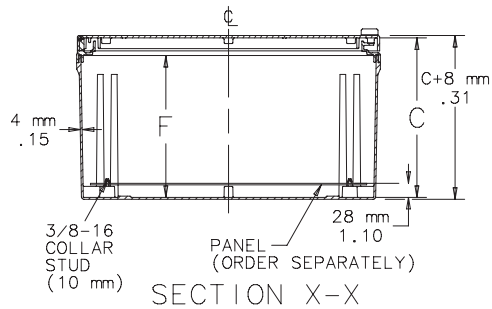
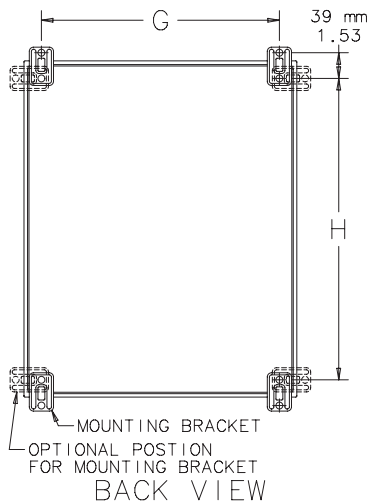
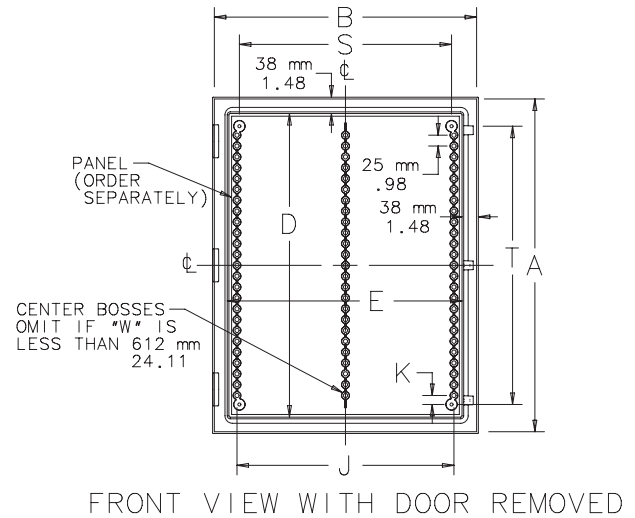
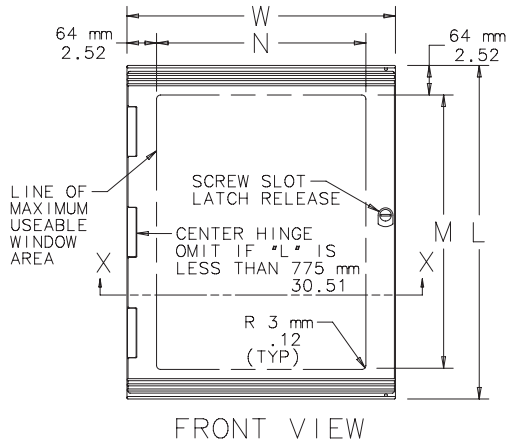
Bulletin: UX1

Standard Product

Catalog Number	Door Style	External Dimensions		Internal Dimensions		Panel	Conductive Panel	Panel Size		Mounting		Window Size				
		L x W mm/in.	mm/in.	A x B x C mm/in.	mm/in.			D x E mm/in.	G x H mm/in.	M x N mm/in.	F mm/in.	J mm/in.	K mm/in.	S mm/in.	T mm/in.	
UU504020	Solid	513 x 413		496 x 396 x 220		A20P16	A20P16G	432 x 330	359 x 459	—	186	297	19	286	387	
		20.20 x 16.26		19.53 x 15.59 x 8.66				17.00 x 12.99	14.13 x 18.07	—	7.32	11.69	0.75	11.26	15.24	
UU504020W	Window	513 x 413		496 x 396 x 220		A20P16	A20P16G	439 x 330	359 x 459	386 x 286	186	297	19	286	387	
		20.20 x 16.26		19.53 x 15.59 x 8.66				17.00 x 12.99	14.13 x 18.07	15.20 x 11.26	7.32	11.69	0.75	11.26	15.24	
UU606020	Solid	625 x 612		608 x 595 x 220		A24P24	A24P24G	533 x 533	559 x 572	—	186	500	21	489	489	
		24.61 x 24.09		23.94 x 23.43 x 8.66				20.98 x 20.98	22.01 x 22.52	—	7.32	19.68	0.83	19.25	19.25	
UU606020W	Window	625 x 612		608 x 595 x 220		A24P24	A24P24G	533 x 533	559 x 572	498 x 486	186	500	21	489	489	
		24.61 x 24.09		23.94 x 23.43 x 8.66				20.98 x 20.98	22.01 x 22.52	19.61 x 19.13	7.32	19.68	0.83	19.25	19.25	
UU605025	Solid	625 x 513		608 x 496 x 270		A24P20	A24P20G	533 x 432	457 x 570	—	239	400	21	387	489	
		24.61 x 20.20		23.94 x 19.53 x 10.63				20.98 x 17.00	17.99 x 22.44	—	9.41	15.75	0.83	15.24	19.25	
UU605025W	Window	625 x 513		608 x 496 x 270		A24P20	A24P20G	533 x 432	457 x 570	498 x 386	239	400	21	387	489	
		24.61 x 20.20		23.94 x 19.53 x 10.63				20.98 x 17.00	17.99 x 22.44	19.61 x 15.20	9.41	15.75	0.83	15.24	19.25	
UU504030	Solid	513 x 412		496 x 395 x 321		A20P16	A20P16G	432 x 330	355 x 455	—	287	300	19	286	387	
		20.20 x 16.22		19.53 x 15.55 x 12.64				17.00 x 12.99	13.98 x 17.91	—	11.30	11.81	0.75	11.26	15.24	
UU504030W	Window	513 x 412		496 x 395 x 321		A20P16	A20P16G	432 x 330	355 x 455	386 x 286	287	300	19	286	387	
		20.20 x 16.22		19.53 x 15.55 x 12.64				17.00 x 12.99	13.98 x 17.91	15.20 x 11.26	11.30	11.81	0.75	11.26	15.24	
UU606030	Solid	625 x 612		608 x 595 x 321		A24P24	A24P24G	533 x 533	555 x 568	—	287	500	21	489	489	
		24.61 x 24.09		23.94 x 23.43 x 12.64				20.98 x 20.98	21.85 x 22.36	—	11.30	19.68	0.83	19.25	19.25	
UU606030W	Window	625 x 612		608 x 595 x 321		A24P24	A24P24G	533 x 533	555 x 568	498 x 486	287	500	21	489	489	
		24.61 x 24.09		23.94 x 23.43 x 12.64				20.98 x 20.98	21.85 x 22.36	19.61 x 19.13	11.30	19.68	0.83	19.25	19.25	
UU756030	Solid	775 x 612		758 x 595 x 321		A30P24	A30P24G	686 x 533	555 x 718	—	287	500	21	489	641	
		30.51 x 24.09		29.84 x 23.43 x 12.64				27.01 x 20.98	21.85 x 28.27	—	11.30	19.68	0.83	19.25	25.24	

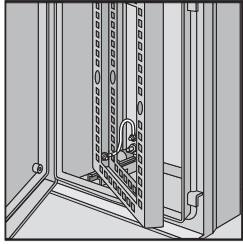
Catalog Number	Door Style	External Dimensions		Internal Dimensions		Panel	Conductive Panel	Panel Size		Mounting		Window Size		F	J	K	S	T
		L x W	mm/in.	A x B x C	mm/in.			D x E	mm/in.	G x H	mm/in.	M x N	mm/in.					
UU756030W	Window	775 x 612		758 x 595 x 321		A30P24	A30P24G	686 x 533		555 x 718		648 x 486		287	500	21	489	641
		30.51 x 24.09		29.84 x 23.43 x 12.64				27.01 x 20.98		21.85 x 28.27		25.51 x 19.13		11.30	19.68	0.83	19.25	25.24
UU1008030	Solid	1025 x 825		1008 x 808 x 321		A40P30	A40P30G	940 x 737		768 x 968		—		287	700	23	692	895
		40.35 x 32.48		39.68 x 31.81 x 12.64				37.01 x 29.02		30.24 x 38.11		—		11.30	27.56	0.91	27.24	35.24
UU1008030W	Window	1025 x 825		1008 x 808 x 321		A40P30	A40P30G	940 x 737		768 x 968		898 x 698		287	700	23	692	895
		40.35 x 32.48		39.68 x 31.81 x 12.64				37.01 x 29.02		30.24 x 38.11		35.35 x 27.48		11.30	27.56	0.91	27.24	35.24
UU606040	Solid	625 x 612		608 x 595 x 421		A24P24	A24P24G	533 x 533		555 x 568		—		387	500	21	489	489
		24.61 x 24.09		23.94 x 23.43 x 16.57				20.98 x 20.98		21.85 x 22.36		—		15.24	19.68	0.83	19.25	19.25
UU606040W	Window	625 x 612		608 x 595 x 421		A24P24	A24P24G	533 x 533		555 x 568		498 x 486		387	500	21	489	489
		24.61 x 24.09		23.94 x 23.43 x 16.57				20.98 x 20.98		21.85 x 22.36		19.61 x 19.13		15.24	19.68	0.83	19.25	19.25
UU756040	Solid	775 x 612		758 x 595 x 421		A30P24	A30P24G	686 x 533		555 x 718		—		387	500	21	489	641
		30.51 x 24.09		29.84 x 23.43 x 16.57				27.01 x 20.98		21.85 x 28.27		—		15.24	19.68	0.83	19.25	25.24
UU756040W	Window	775 x 612		758 x 595 x 421		A30P24	A30P24G	686 x 533		555 x 718		648 x 486		387	500	21	489	641
		30.51 x 24.09		29.84 x 23.43 x 16.57				27.01 x 20.98		21.85 x 28.27		25.51 x 19.13		15.24	19.68	0.83	19.25	25.24

Purchase panels separately.



C2553-C

Grounding Device



Grounding Device provides a means to attach a grounding conductor to an ULTRX Swing-Out Panel or Swing-Out Frame. Includes all installation hardware and instructions.

Bulletin: UX1Y

Catalog Number	Description
UUGK	ULTRX Grounding Device

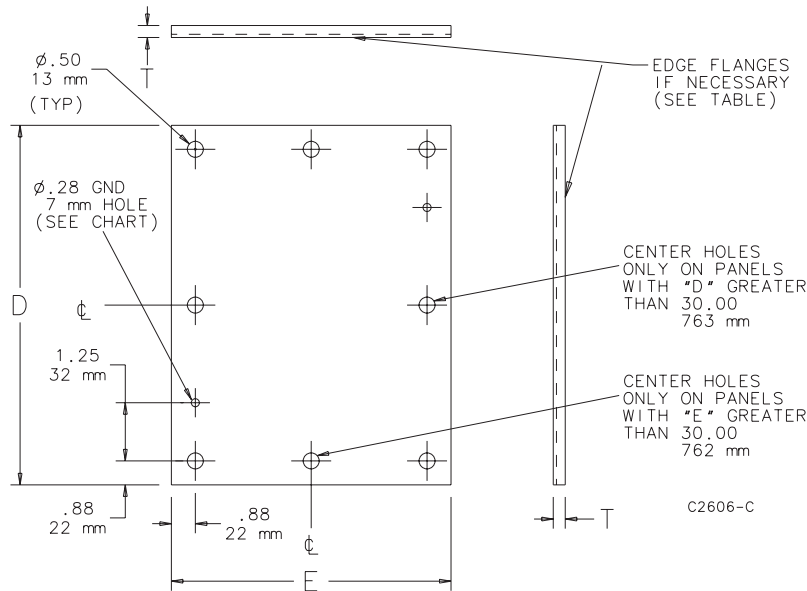
Panels for Type 3R, 4, 4X, 12 and 13 Enclosures

Steel panels are 12 gauge with a white finish. Panel mounting hardware is furnished with all enclosures which accept these panels.

Bulletin: DWS12, PNLWM

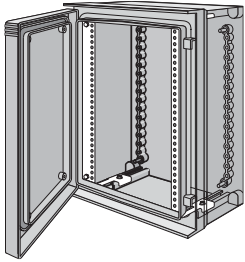
Catalog Number	Panel Gauge	Flange		Panel Size D x E (in.)	Panel Size D x E (mm)	Number of Holes	Edge Flanges
		Thickness T (in.)	Thickness T (mm)				
A20P16	12	—	—	17.00 x 13.00	432 x 330	4	None
A24P20	—	0.75	19	21.00 x 17.00	533 x 432	4	2
A24P24	—	0.75	19	21.00 x 21.00	533 x 533	4	2
A24P24WD	—	0.75	19	21.00 x 21.00	533 x 533	4	—
A30P24	—	0.75	19	27.00 x 21.00	686 x 533	4	2
A40P30	—	0.75	19	37.00 x 29.00	940 x 737	4	4

Catalog number with "WD" is wood.



ULTRX®

Rack Angles (Type RA)

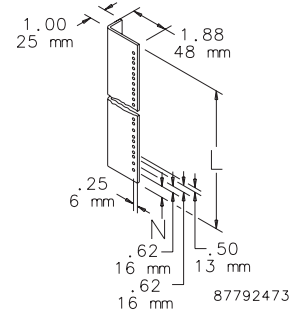


Pairs of full-length rack-mounting angles are available for mounting 1-in. (483-mm) rack-mounted equipment. Type RA angles are 14 gauge steel with .281-in. (7-mm) diameter mounting holes, spaced per EIA standard RS-310-D (universal spacing). Use Clip Nut Package (AN1032) to provide tapped holes at desired locations. Angles and mounting hardware are plated steel. Mounting hardware is furnished.

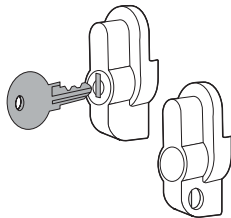
Bulletin: UX1Y

Catalog Number	Fits A x B		Rack Units	Pkg. Qty.
	mm/in.	L mm/in.		
UURA6060	610 x 610	552	10	12
	24.00 x 24.00	21.75	.38	
UURA7560	762 x 610	705	19	15
	30.00 x 24.00	27.75	.75	

Use UURA6060 with DATACOM ULTRX Fiberglass Type 4X WiFi Cabinet.

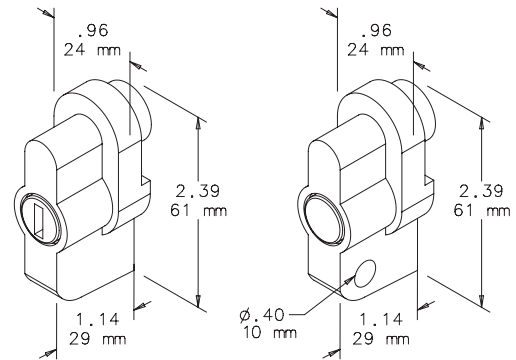


Keylock Kit and Padlock Kit



Keylock Kit or pushbutton-style Padlock Kit is easily inserted in latch hole to prevent unauthorized personnel from gaining access to enclosure contents. Each kit is fully assembled for easy installation in the field. Type 316 stainless steel construction.

Bulletin: UX1Y



Keylock Kit

Padlock Kit

87792346

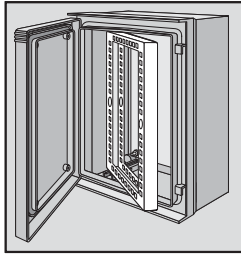
Catalog Number	Description
UUHKL	Keylock Kit
UUHPL	Padlock Kit

UUHKL: Internal key components are not stainless steel.

UUHPL: Handles maintain UL 508A, Type 3, 4, 4X and 12 when properly installed on a Hoffman enclosure. Set up for 1/4-in. or 3/8-in. padlock.

ULTRX®

Swing Frame

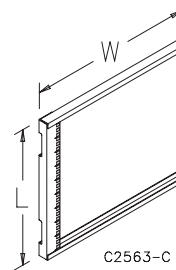


Swing Frame provides 19-in. rack-mounting capabilities with U-Style (Type RA) mounting hole pattern. Quarter-turn latch has 100-degree swing. Adjustable mounting provision. 14 gauge plated steel. Includes mounting hardware. Swing frame maintains enclosure rating if properly installed in a Hoffman enclosure. *Swing Frame will not slide all the way forward in 400-mm-deep enclosures. Consult factory for more information.*

Bulletin: UX1Y

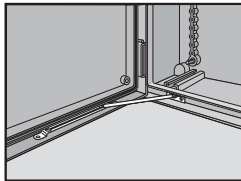
Catalog Number	Fits A x B mm/in.	L mm/in.	W mm/in.	Rack Units
UU6060SF	610 x 610	540	535	11
	24.00 x 24.00	21.25	21.08	
UU7560SF	762 x 610	687	535	14
	30.00 x 24.00	27.05	21.08	

Use UU6060SF with DATAKOM ULTRX Fiberglass Type 4X WiFi Cabinet.



C2563-C

Door Stop Kit



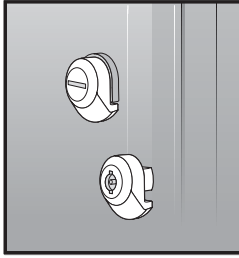
Door Stop Kit limits door to 120-degree opening. Field installable on all sizes of ULTRX enclosures. Type 304 stainless steel construction.

Bulletin: UX1Y

Catalog Number	Description
UU05	Door Stop Kit

ULTRX®

ULTRX® Key Insert

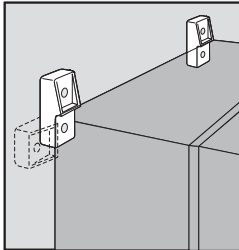


Inserts can be substituted for the standard quarter-turn latch. Inserts are Type 316 stainless steel.

Bulletin: UX1Y

Catalog Number	Insert Type
UUL3DB	Double-bit 3 mm
UULSC	Screw driver slot

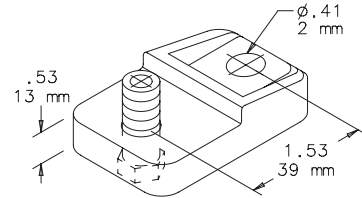
ULTRX® Mounting Bracket Kit



Kit is field-installable. Corrosion-resistant fiberglass material. Type 316 stainless steel mounting hardware is included. Four mounting brackets per kit.

Bulletin: UX1Y

Catalog Number	Description	Kit Qty.
UUMF	Mounting Bracket Kit	4



11C59177

Hinge-Cover with 3-Point Latch or Quick-Release Latches

Hinge-Cover with 3-Point Latch or Quick-Release Latches, Type 4X

**Industry Standards**

UL 508A Listed; Type 3, 3R, 4, 4X, 12, 13; File No. E61997 cUL Listed per CSA C22.2 No 94; Type 3, 3R, 4, 4X, 12, 13; File No. E61997 Enclosure flammability evaluated per UL 508A
--

NEMA/EEMAC Type 3, 3R, 4, 4X, 12, 13
 IEC 60529, IP66
 Meets NEMA Type 3RX requirements

Application

A full range of modification options are available for wall-mount fiberglass enclosures, including variable depths to accommodate larger controls. These enclosures feature stainless steel padlocking hasps or Hoffman's exclusive POWERGLIDE® Handle with 3-point latching for ease of access with increased security.

Specifications

- Fiberglass-reinforced material has excellent temperature and chemical resistance qualities and exhibits outstanding physical properties
- Type 316L stainless steel padlocking POWERGLIDE Handle on 3-point latch versions assures security and a water-tight seal while still allowing convenient access
- Quick-release latch versions feature fiberglass-reinforced polyester latches with integral Type 316L stainless steel padlocking hasp
- Seams are sealed; no holes or knockouts

- Seamless foam-in-place gasket assures water-tight and dust-tight seal
- Fiberglass material is easily punched, drilled, filed or sawed
- Data pocket is high-impact thermoplastic
- Copper-flashed steel collar studs for mounting optional panels and terminal block kits

Finish

Fiberglass enclosure is gray inside and out. Handle is Type 316L stainless steel electropolished. Optional steel panels are painted white. Optional stainless steel, aluminum and composite panels available in select sizes.

Accessories

See also Accessories
 H2OMIT® Thermoelectric Dehumidifier
 H2OMIT® Vent Drains, Type 4X
 HOL-SEALERS™ Non-Metallic Hole Seals
 Panels
 Stainless Steel Window Kits
 Terminal Block Kit Assembly
 Thermal Accessories

Modification and Customization

Hoffman excels at modifying and customizing products to your specifications. Contact your local Hoffman sales office or distributor for complete information.

Bulletin: A17W3, A17WM

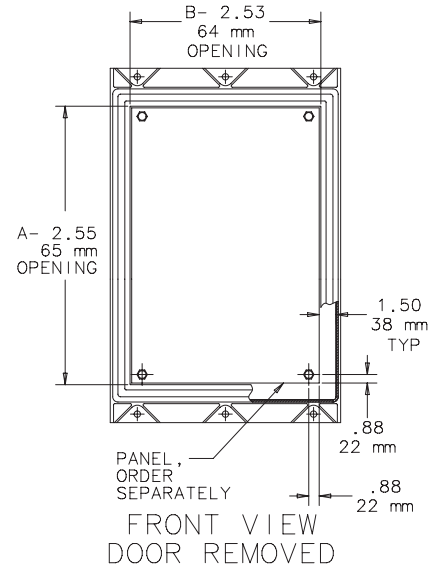
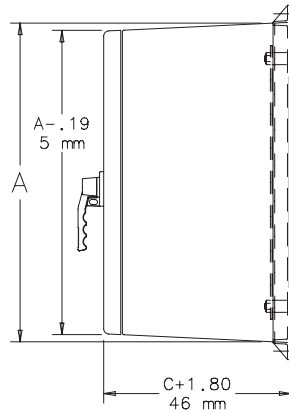
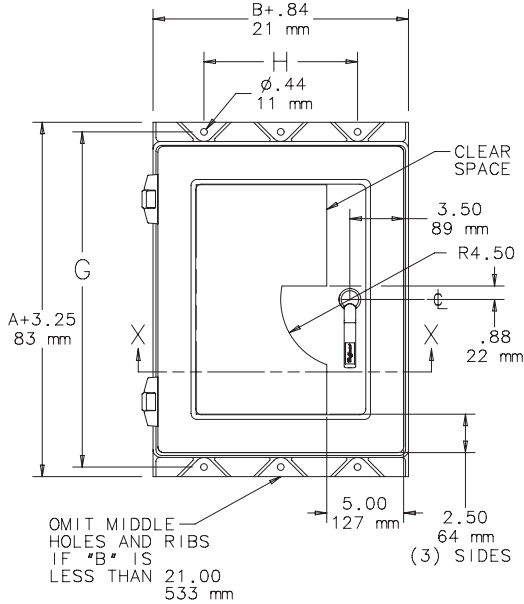
Hinge-Cover with 3-Point Latch or Quick-Release Latches

Standard Product 3-Point Latch

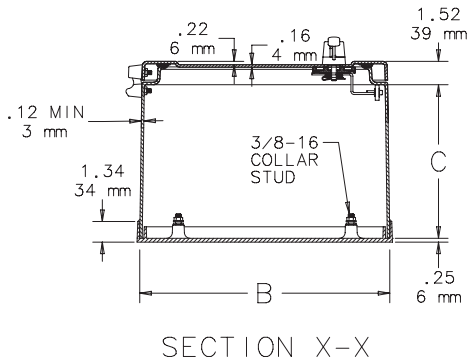
Catalog Number	AxBxC in.	AxBxC mm	Panel	Conductive Panel	Panel Size Height (in.)	Panel Size Height (mm)	G x H (in.)	G x H (mm)
A24H2006GQRLP3PT	24.25 x 20.25 x 6.00	616 x 514 x 203	A24P20	A24P20G	21.00 x 17.00	533 x 432	25.86 x 14.00	657 x 356
A20H2008GQRLP3PT	20.19 x 20.25 x 8.00	513 x 514 x 203	A20P20	A20P20G	17.00 x 17.00	432 x 432	21.81 x 14.00	554 x 356
A24H2008GQRLP3PT	24.25 x 20.25 x 8.00	616 x 514 x 203	A24P20	A24P20G	21.00 x 17.00	533 x 432	25.86 x 14.00	657 x 356
A24H2408GQRLP3PT	24.19 x 24.19 x 8.00	614 x 614 x 203	A24P24	A24P24	21.00 x 21.00	533 x 533	25.81 x 18.00	656 x 457
A30H2408GQRLP3PT	30.25 x 24.25 x 8.00	768 x 616 x 203	A30P24	A30P24G	27.00 x 21.00	686 x 533	31.95 x 18.00	812 x 457
A36H3008GQRLP3PT	36.25 x 30.25 x 8.00	921 x 768 x 203	A36P30	A36P30G	33.00 x 27.00	838 x 686	37.58 x 24.00	955 x 610
A24H2010GQRLP3PT	24.25 x 20.25 x 10.00	616 x 514 x 254	A24P20	A24P20G	21.00 x 17.00	533 x 432	25.86 x 14.00	657 x 356
A30H2410GQRLP3PT	30.25 x 24.25 x 10.00	768 x 616 x 254	A30P24	A30P24G	27.00 x 21.00	686 x 533	31.95 x 18.00	812 x 457
A24H2412GQRLP3PT	24.19 x 24.19 x 12.00	614 x 614 x 305	A24P24	A24P24G	21.00 x 21.00	533 x 533	25.81 x 18.00	656 x 457
A30H2412GQRLP3PT	30.25 x 24.25 x 12.00	768 x 616 x 305	A30P24	A30P24G	27.00 x 21.00	686 x 533	31.95 x 18.00	812 x 457
A36H3012GQRLP3PT	36.25 x 30.25 x 12.00	921 x 768 x 305	A36P30	A36P30G	33.00 x 27.00	838 x 686	37.58 x 24.00	955 x 610

Purchase panels separately. Optional stainless steel, composite and aluminum panels available for most sizes. See General Accessories.

Hinged with 3-Point Latch Enclosures



87786694



Hinge-Cover with 3-Point Latch or Quick-Release Latches

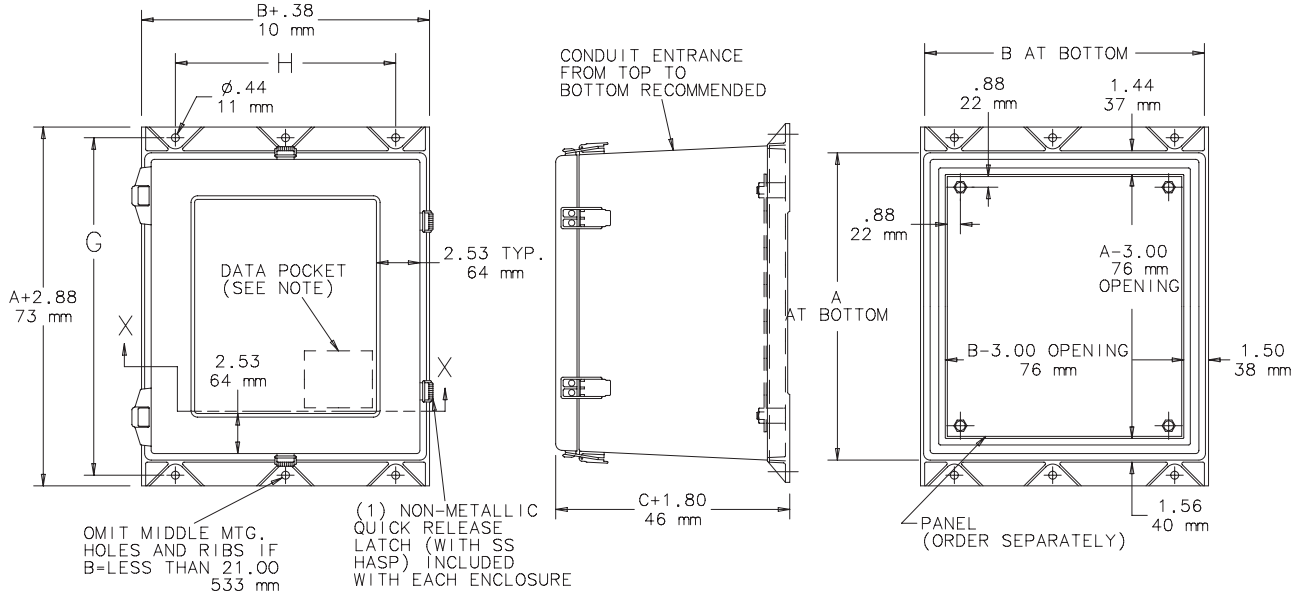
Standard Product Quick-Release Latch

Catalog Number	AxBxC in.	AxBxC mm	Panel	Cond. Panel	Panel Size (in.)	Panel Size (mm)	Mtg G x H (in.)	Mtg G x H (mm)	No. of Latches	Add'l "C" Dim's (in.)	Add'l "C" Dim's (mm)	Add'l "C" Dim's (in.)	Add'l "C" Dim's (mm)	Add'l "C" Dim's (in.)	Add'l "C" Dim's (mm)
A20H1606GQRLP	20.19 x 16.25 x 6.00	513 x 413 x 152	A20P16	A20P16G	17.00 x 13.00	432 x 330	21.81 x 10.00	554 x 254	4	—	—	—	—	—	—
A20H2006GQRLP	20.19 x 20.25 x 6.00	513 x 514 x 152	A20P20	A20P20G	17.00 x 17.00	432 x 432	21.81 x 14.00	554 x 356	4	—	—	—	—	—	—
A24H2006GQRLP	24.25 x 20.25 x 6.00	616 x 514 x 152	A24P20	A24P20G	21.00 x 17.00	533 x 432	25.86 x 14.00	657 x 356	4	—	—	—	—	—	—
A30H2406GQRLP	30.25 x 24.25 x 6.00	768 x 616 x 152	A30P24	A30P24G	27.00 x 21.00	686 x 533	31.95 x 18.00	812 x 457	5	—	—	—	—	—	—
A20H1608GQRLP	20.19 x 16.25 x 8.00	513 x 413 x 203	A20P16	A20P16G	17.00 x 13.00	432 x 330	21.81 x 10.00	554 x 254	4	—	—	—	—	—	—
A20H2008GQRLP	20.19 x 20.25 x 8.00	513 x 514 x 203	A20P20	A20P20G	17.00 x 17.00	432 x 432	21.81 x 14.00	554 x 356	4	—	—	—	—	—	—
A24H2008GQRLP	24.25 x 20.25 x 8.00	616 x 514 x 203	A24P20	A24P20G	21.00 x 17.00	533 x 432	25.86 x 14.00	657 x 356	4	—	—	—	—	—	—
A24H2408GQRLP	24.19 x 24.19 x 8.00	614 x 614 x 203	A24P24	A24P24G	21.00 x 21.00	533 x 533	25.81 x 18.00	656 x 457	4	—	—	—	—	—	—
A30H2408GQRLP	30.25 x 24.25 x 8.00	768 x 616 x 203	A30P24	A30P24G	27.00 x 21.00	686 x 533	31.95 x 18.00	812 x 457	5	—	—	—	—	—	—
A36H3008GQRLP	36.25 x 30.25 x 8.00	921 x 768 x 203	A36P30	A36P30G	33.00 x 27.00	838 x 686	37.58 x 24.00	955 x 610	5	—	—	—	—	—	—
A20H1610GQRLP	20.19 x 16.25 x 10.00	513 x 413 x 254	A20P16	A20P16G	17.00 x 13.00	432 x 330	21.81 x 10.00	554 x 254	4	—	—	—	—	—	—
A20H2010GQRLP	20.19 x 20.25 x 10.00	513 x 514 x 254	A20P20	A20P20G	17.00 x 17.00	432 x 432	21.81 x 14.00	554 x 356	4	—	—	—	—	—	—
A24H2010GQRLP	24.25 x 20.25 x 10.00	616 x 514 x 254	A24P20	A24P20G	21.00 x 17.00	533 x 432	25.86 x 14.00	657 x 356	4	—	—	—	—	—	—
A30H2410GQRLP	30.25 x 24.25 x 10.00	768 x 616 x 254	A30P24	A30P24G	27.00 x 21.00	686 x 533	31.95 x 18.00	812 x 457	5	—	—	—	—	—	—
A20H1612GQRLP	20.19 x 16.25 x 12.00	513 x 413 x 305	A20P16	A20P16G	17.00 x 13.00	432 x 330	21.81 x 10.00	554 x 254	4	—	—	—	—	—	—
A20H2012GQRLP	20.19 x 20.25 x 12.00	513 x 514 x 305	A20P20	A20P20G	17.00 x 17.00	432 x 432	21.81 x 14.00	554 x 356	4	—	—	—	—	—	—
A24H2012GQRLP	24.25 x 20.25 x 12.00	616 x 514 x 305	A24P20	A24P20G	21.00 x 17.00	533 x 432	25.86 x 14.00	657 x 356	4	11.00	279	—	—	—	—
A24H2412GQRLP	24.19 x 24.19 x 12.00	614 x 614 x 305	A24P24	A24P24G	21.00 x 21.00	533 x 533	25.81 x 18.00	656 x 457	4	—	—	—	—	—	—
A30H2412GQRLP	30.25 x 24.25 x 12.00	768 x 616 x 305	A30P24	A30P24G	27.00 x 21.00	686 x 533	31.95 x 18.00	812 x 457	5	—	—	—	—	—	—
A36H3012GQRLP	36.25 x 30.25 x 12.00	921 x 768 x 305	A36P30	A36P30G	33.00 x 27.00	838 x 686	37.58 x 24.00	955 x 610	5	—	—	—	—	—	—
A36H3612GQRLP	36.25 x 36.25 x 12.00	921 x 921 x 305	A36P36	A36P36G	33.00 x 33.00	838 x 838	37.58 x 30.00	955 x 762	7	—	—	—	—	—	—
A48H3612GQRLP	48.25 x 36.25 x 12.00	1226 x 921 x 305	A48P36	A48P36G	45.00 x 33.00	1143 x 838	49.56 x 30.00	1259 x 762	8	—	—	—	—	—	—
A60H3612GQRLP	60.25 x 36.25 x 12.00	1530 x 921 x 305	A60P36	A60P36G	57.00 x 33.00	1448 x 838	61.58 x 30.00	1564 x 762	8	—	—	—	—	—	—
A24H2016GQRLP	24.25 x 20.25 x 16.00	616 x 514 x 406	A24P20	A24P20G	21.00 x 17.00	533 x 432	25.86 x 14.00	657 x 356	4	14.00	356	—	—	—	—
A24H2416GQRLP	24.19 x 24.19 x 16.00	614 x 614 x 406	A24P24	A24P24G	21.00 x 21.00	533 x 533	25.81 x 18.00	656 x 457	4	6.00	152	10.00	254	14.00	356
A30H2416GQRLP	30.25 x 24.25 x 16.00	768 x 616 x 406	A30P24	A30P24G	27.00 x 21.00	686 x 533	31.95 x 18.00	812 x 457	5	—	—	—	—	—	—
A48H3616GQRLP	48.25 x 36.25 x 16.00	1226 x 921 x 406	A48P36	A48P36G	45.00 x 33.00	1143 x 838	49.56 x 30.00	1259 x 762	8	—	—	—	—	—	—
A60H3616GQRLP	60.25 x 36.25 x 16.00	1530 x 922 x 406	A60P36	A60P36G	57.00 x 33.00	1448 x 838	61.65 x 30.00	1566 x 762	8	—	—	—	—	—	—
A20H1620GQRLP	20.19 x 16.25 x 20.00	513 x 413 x 508	A20P16	A20P16G	17.00 x 13.00	432 x 330	21.81 x 10.00	554 x 254	4	14.00	356	16.00	406	18.00	457
A20H2020GQRLP	20.19 x 20.25 x 20.00	513 x 514 x 508	A20P20	A20P20G	17.00 x 17.00	432 x 432	21.81 x 14.00	554 x 356	4	14.00	356	16.00	406	18.00	457
A24H2020GQRLP	24.25 x 20.25 x 20.00	616 x 514 x 508	A24P20	A24P20G	21.00 x 17.00	533 x 432	25.86 x 14.00	657 x 356	4	14.00	356	16.00	406	18.00	457
A24H2420GQRLP	24.19 x 24.19 x 20.00	614 x 614 x 508	A24P24	A24P24G	21.00 x 21.00	533 x 533	25.81 x 18.00	656 x 457	4	18.00	457	—	—	—	—
A30H2420GQRLP	30.25 x 24.25 x 20.00	768 x 616 x 508	A30P24	A30P24G	27.00 x 21.00	686 x 533	31.95 x 18.00	812 x 457	5	14.00	356	16.00	406	18.00	457
A36H3020GQRLP	36.25 x 30.25 x 20.00	921 x 768 x 508	A36P30	A36P30G	33.00 x 27.00	838 x 686	37.72 x 24.00	958 x 610	5	—	—	—	—	—	—
A48H3620GQRLP	48.25 x 36.25 x 20.00	1226 x 921 x 508	A48P36	A48P36G	45.00 x 33.00	1143 x 838	49.72 x 30.00	1263 x 762	8	—	—	—	—	—	—
A24H2024GQRLP	24.25 x 20.25 x 24.00	616 x 514 x 610	A24P20	A24P20G	21.00 x 17.00	533 x 432	25.86 x 14.00	657 x 356	4	22.00	559	—	—	—	—
A24H2424GQRLP	24.19 x 24.19 x 24.00	614 x 614 x 610	A24P24	A24P24G	21.00 x 21.00	533 x 533	25.81 x 18.00	656 x 457	4	22.00	559	—	—	—	—
A30H2424GQRLP	30.25 x 24.25 x 24.00	768 x 616 x 610	A30P24	A30P24G	27.00 x 21.00	686 x 533	31.95 x 18.00	812 x 457	5	22.00	559	—	—	—	—

Purchase panels separately. Optional stainless steel, composite and aluminum panels are available for most sizes.

Hinge-Cover with 3-Point Latch or Quick-Release Latches

Hinged with Quick-Release Latch Enclosures 36 X 30 or Smaller Drawing

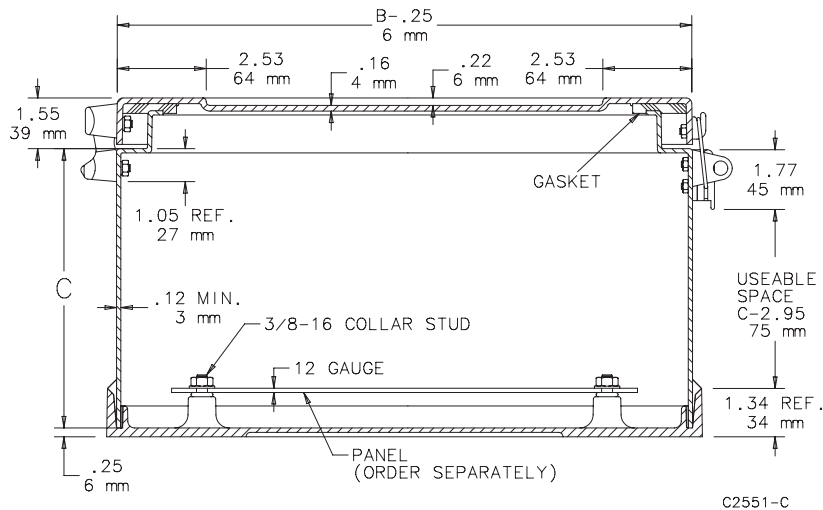


FRONT VIEW WITH DOOR

SIDE VIEW

FRONT VIEW DOOR REMOVED

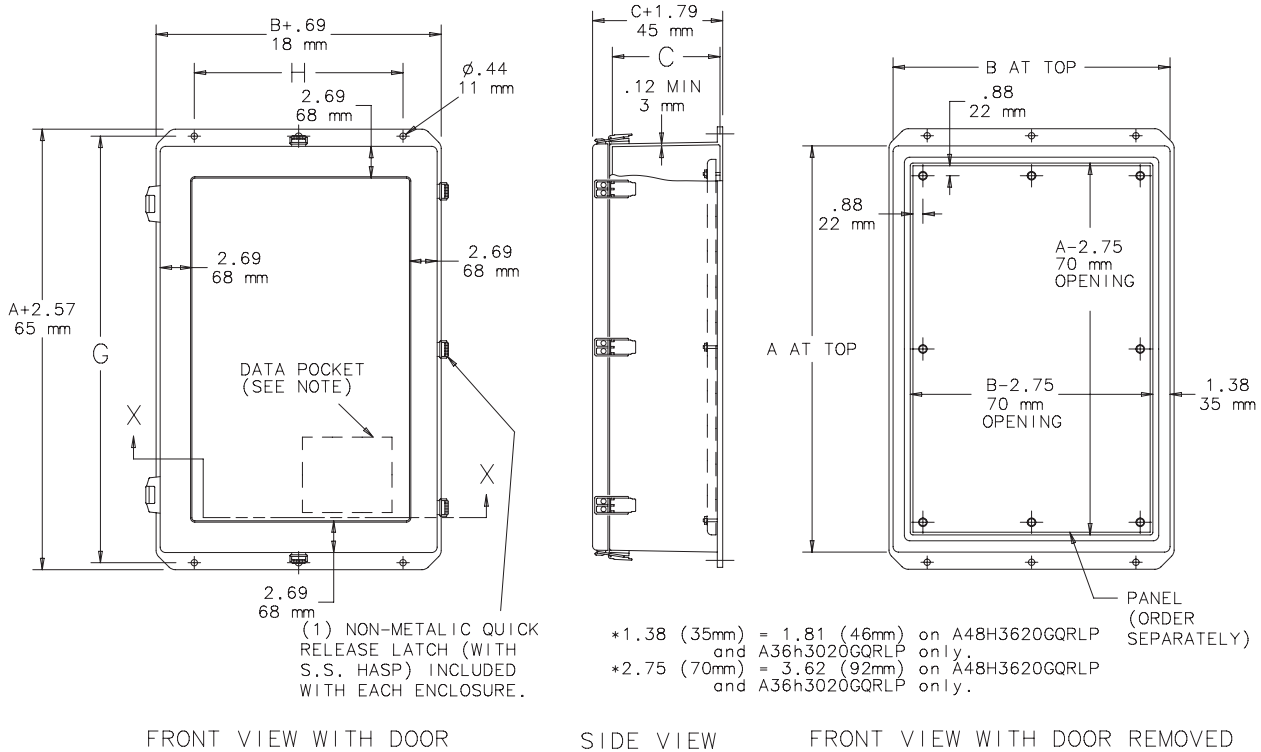
NOTE: Enclosure A36H3020GQRLP still is manufactured according to the drawing of enclosures 36 X 36 or larger.



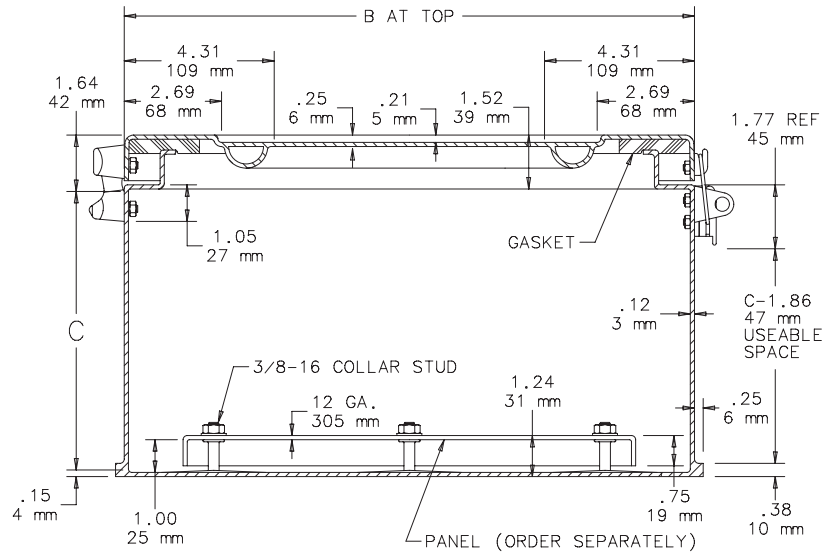
SECTION X-X

Hinge-Cover with 3-Point Latch or Quick-Release Latches

Hinged with Quick-Release Latch Enclosures 36 X 36 or Larger Drawing



NOTE: Large data pocket provision when A=30.00 (7.76mm) or more. Data pocket is furnished but not installed. Large data pocket is 12.00 X 12.00 (305mm X 305mm); small data pocket is 6.00 x 6.00 (152mm x 152mm).





Hinge-Cover with 3-Point Latch or Quick-Release Latches

Notes

Free-Stand

Free-Stand, Type 4X



Industry Standards

UL 508A Listed; Type 3, 3R, 4, 4X, 12; File No. E61997
 cUL Listed per CSA C22.2 No 94; Type 3, 3R, 4, 4X, 12; File No. E61997
 Enclosure flammability evaluated per UL 508A

NEMA Type 3, 3R, 4, 4X, 12, 13
 E.I.A. RS-310-D
 IEC 60529, IP66
 Meets NEMA Type 3RX requirements

Application

An economical housing for corrosive environments, single-door, free-stand enclosures provide a versatile solution for applications that require flexibility when mounting panels and racks. Benefits include easy access to equipment, larger capacity for control systems, steel reinforcements for stability and strength, captivated door screws and an optional POWERGLIDE® Handle for secure latching.

Standard Product

Catalog Number	AxBxC in./mm	Description	Estimated Ship Wt. (lb.)	Estimated Ship Wt. (kg)
A722525FGFS	72.00 x 25.00 x 24.50 1829 x 635 x 622	Stainless steel captivated door screws	215	97.5
A722525FGFS3PT	72.00 x 25.00 x 24.50 1829 x 635 x 622	3-point latching system/Type 316 stainless steel handle	215	97.5

Specifications

- Fiberglass-reinforced polyester material has excellent temperature and chemical resistance and exhibits outstanding physical properties
- Fiberglass material is easily punched, drilled, filed or sawed
- Models have either a 3-point latching system with handle or stainless steel captivated door screws
- Seamless foam-in-place gasket assures water-tight and dust-tight seal
- Painted steel top, bottom and side internal reinforcements standard; stainless steel corner reinforcements optional
- Heavy-duty Type 316 stainless steel lifting eyes
- Accessory mounting channels attached horizontally to interior body sides at top, bottom and center. Painted mounting channels standard; stainless steel optional.
- Panels and rack-mounting angles can be mounted anywhere along corner channels; panels can be mounted on sides or back
- Hinges are corrosion-resistant fiberglass with Type 316 stainless steel hinge pins
- Large, high-impact thermoplastic data pocket (12.00 x 12.00 in. or 305 x 305 mm) is provided
- Molded-in angular sealing flange directs water away from gasket area
- Type 316 stainless steel POWERGLIDE® Handle on handle versions
- Material is halogen free

Finish

Fiberglass enclosure is gray inside and out. Optional mild-steel panels are painted white. Optional conductive panels are available.

Accessories

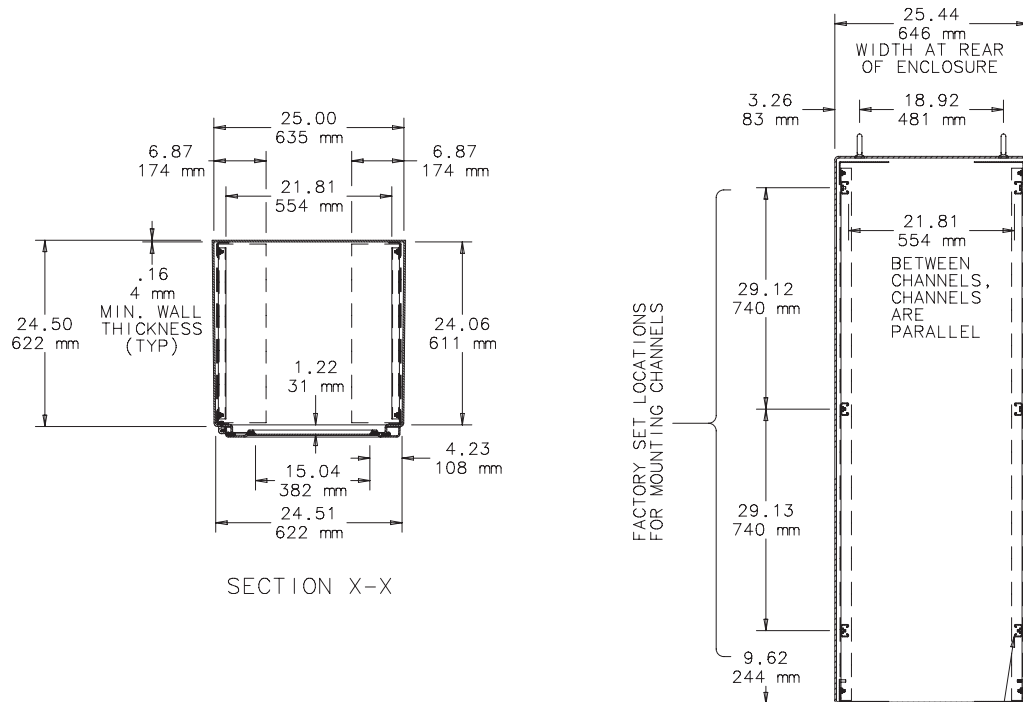
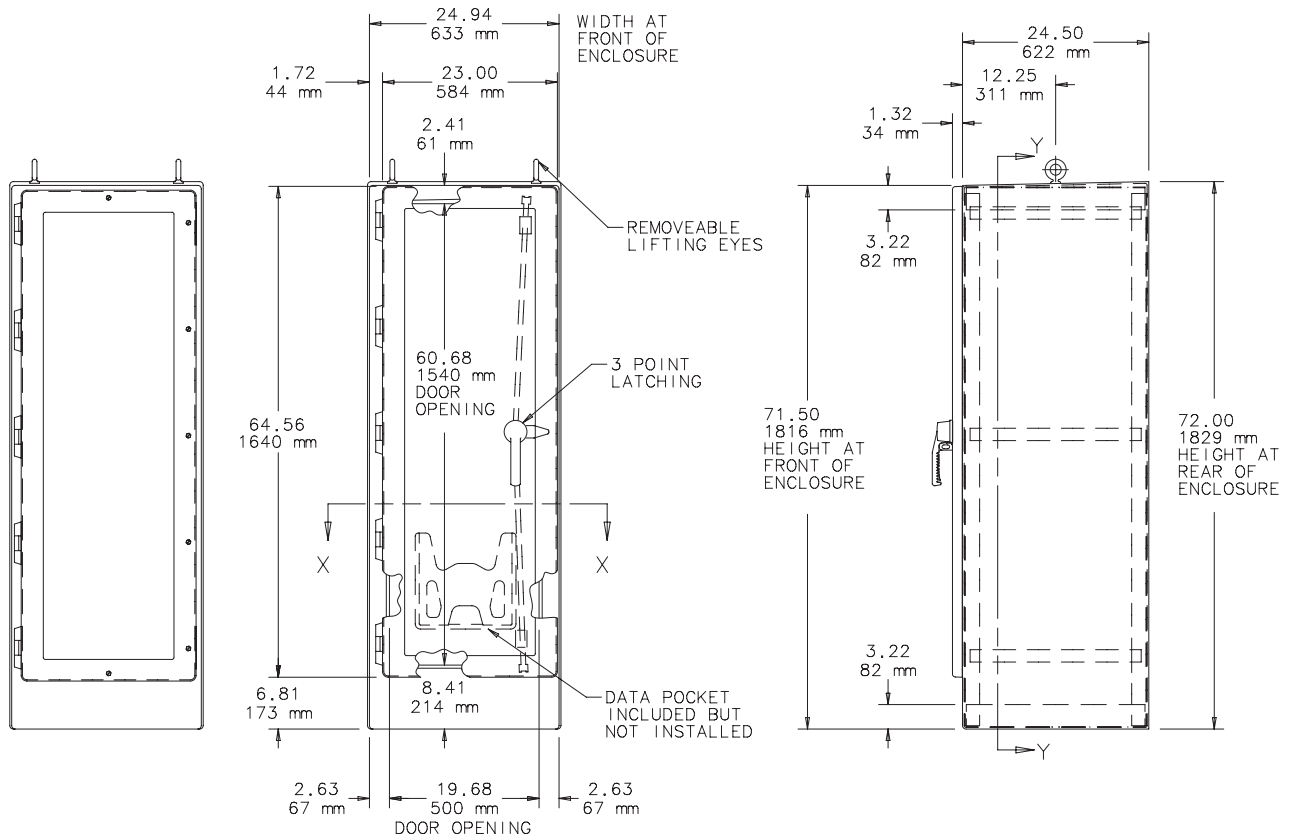
See also *Accessories*.
 Accessory Selection for Free-Stand, Type 4X
 Floor Stand Kit
 H2OMIT® Vent Drains, Type 4X
 H2OMIT® Thermoelectric Dehumidifier
 HOL-SEALERS™ Non-Metallic Hole Seals

Modification and Customization

Hoffman excels at modifying and customizing products to your specifications. Contact your local Hoffman sales office or distributor for complete information.

Bulletin: A17

Free-Stand



NOTE: Door opens 175°.

MOUNTING CHANNELS FOR REGULAR PANELS, SWING OUT PANELS, AND RELAY RACK ANGLES, CHANNELS ARE REMOVEABLE AND CAN BE REPOSITIONED

Accessory Selection for Free-Stand, Type 4X

For details, see Accessories chapter.

Bulletin: A17Y, A80, D10, PNL30, PNLFS

Panels

Catalog Number	Description	Size (in.)	Size (mm)
A72P24F1	Full Panel, Steel	60.00 x 20.00	1524 x 508
A72P24F2	Half Panel, Steel	30.88 x 20.00	784 x 508
A72P24F1G	Full Panel, Conductive	60.00 x 20.00	1524 x 508
A72P24F2G	Half Panel, Conductive	30.88 x 20.00	784 x 508

Purchase panels and accessories separately.

Swing-Out Panels

Catalog Number	Description	Size (in.)	Size (mm)
A72SP24F3	Full Swing-Out Panel	60.00 x 18.19	1524 x 462
A72SP24F4	Half Swing-Out Panel	30.88 x 18.19	784 x 462

Purchase panels and accessories separately.

Half Swing-Out Panel fits in top or bottom half of enclosure.

Side-Mounted Panels

Catalog Number	Description	Size (in.)	Size (mm)
A72SMP14	14.00 inch (356mm) Wide Panel, Steel	60.00 x 14.00	1524 x 356
A72SMP20	20.00 inch (508mm) Wide Panel, Steel	60.00 x 20.00	1524 x 508
A72SMP14G	14.00 inch (356mm) Wide Panel, Conductive	60.00 x 14.00	1524 x 356
A72SMP20G	20.00 inch (508mm) Wide Panel, Conductive	60.00 x 20.00	1524 x 508

Purchase panels and accessories separately.

Free-Stand

Clamping Nuts

Catalog Number	Description	Package Qty
APS1420CN	1/4-20 Clamping Nut	20
APS51618CN	5/16-18 Clamping Nut	20

Purchase panels and accessories separately.

Casters

Catalog Number	Description	Size (in.)	Size (mm)
DMCKC	Set of four casters	4.00 x 3.00	102 x 76

Requires Bottom Support

Purchase panels and accessories separately.

Inside Bottom Support

Catalog Number	Description	Size (in.)	Size (mm)
A17SUPPORT1	Enclosure bottom support allows installation of casters or floor-stand kits.	23.70 x 23.25	602 x 591

Purchase panels and accessories separately.

Rack Mounting Accessory Selection for Free-Stand, Type 4X

For details, see Accessories chapter.

Bulletin: A80, P20

Rack Mounting Angles

Catalog Number	Description	Length (in.)	Length (mm)	Units
A72RP24F5	Two Full-Length Angles (Type RP)	61.25	1556	35
A72RP24F6	Two Half-Length Angles (Type RP)	31.50	800	18
A60RA19TH	Two Full-Length Angles (Type RA)	49.00	1245	28
A72RA19TH	Two Full-Length Angles (Type RA)	61.25	1556	35

Purchase accessories separately.

1 unit = 1.75 in. (44mm)

Clip Nut Package

Catalog Number	Description	Package Qty	Size
AN1032	#10-32 Zinc-Plated	20	Fits U-Style (Type RA) Rack Mounting Angle

Purchase accessories separately.

Rack Panels

Catalog Number	Description	Size (in.)	Size (mm)	Units
P19RP1UA	Aluminum	19.00 x 1.75	483 x 44	1
P19RP1UP	Steel	19.00 x 1.75	483 x 44	1
P19RP2UA	Aluminum	19.00 x 3.50	483 x 89	2
P19RP2UP	Steel	19.00 x 3.50	483 x 89	2
P19RP3UA	Aluminum	19.00 x 5.25	483 x 133	3
P19RP3UP	Steel	19.00 x 5.25	483 x 133	3
P19RP4UA	Aluminum	19.00 x 7.00	483 x 178	4
P19RP4UP	Steel	19.00 x 7.00	483 x 178	4
P19RP5UA	Aluminum	19.00 x 8.75	483 x 222	5
P19RP5UP	Steel	19.00 x 8.75	483 x 222	5
P19RP6UA	Aluminum	19.00 x 10.50	483 x 267	6
P19RP6UP	Steel	19.00 x 10.50	483 x 267	6
P19RP7UA	Aluminum	19.00 x 12.25	483 x 311	7
P19RP7UP	Steel	19.00 x 12.25	483 x 311	7
P19RP8UA	Aluminum	19.00 x 14.00	483 x 356	8
P19RP8UP	Steel	19.00 x 14.00	483 x 356	8
P19RP9UP	Steel	19.00 x 15.75	483 x 400	9
P19RP10UP	Steel	19.00 x 17.50	483 x 445	10
P19RP11UA	Aluminum	19.00 x 19.25	483 x 489	11
P19RP11UP	Steel	19.00 x 19.25	483 x 489	11
P19RP12UA	Aluminum	19.00 x 21.00	483 x 533	12
P19RP12UP	Steel	19.00 x 21.00	483 x 533	12
P19RP16UP	Steel	19.00 x 28.00	483 x 711	16

Purchase panels and accessories separately.

1 unit = 1.75 in. (44 mm)

Free-Stand

Screw Package

Catalog Number	Description	Package Qty
AS1032	10-32 Truss Head Nickel-Plated	20

Purchase accessories separately.

Drawers

Catalog Number	Description	Depth (in.)	Depth (mm)	Units
A19DR2U	Pull-Out Drawer	3.47	88	2
A19DR4U	Pull-Out Drawer	6.97	177	4

Purchase accessories separately.

1 unit = 1.75 in. (44 mm)

Requires two sets of Type RA Rack Mounting Angles for installation.

Writing Surface for Drawers

Catalog Number	Description	Size
A19WSDR	Hinged Surface	Fits Drawer A19DR2U and A19DR4U

Purchase accessories separately.

Shelves

Catalog Number	Description	Units
A19SHP6	Pull-Out Shelf	2
A19SH5	Fixed Shelf	1
A19SH6	Fixed Shelf	1

Purchase accessories separately.

1 unit = 1.75 in. (44 mm)

Guides

Catalog Number	Description	Unit
AG1U6	Chassis Guide (set of two)	1

Purchase accessories separately.

1 unit = 1.75 in. (44 mm)

Two-Door Free-Stand

Two-Door Free-Stand, Type 4X



Industry Standards

UL 508A Listed; Type 3, 3R, 4, 4X, 12; File No. E61997
 cUL Listed per CSA C22.2 No 94; Type 3, 3R, 4, 4X, 12; File No. E61997
 Enclosure flammability evaluated per UL 508A

NEMA Type 3, 3R, 4, 4X, 12, 13
 IEC 60529, IP66
 Meets NEMA Type 3RX requirements

Application

An economical way to house electronics in corrosive environments, two-door enclosures provide easy access to equipment, larger capacity for control systems and steel reinforcements that ensure stability and strength. These enclosures feature captivated door screws and an optional POWERGLIDE® Handle for secure latching.

Specifications

- Fiberglass-reinforced polyester material has excellent temperature and chemical resistance and exhibits outstanding physical properties
- Seams are sealed; no holes or knockouts
- Fiberglass material is easily punched, drilled, filed or sawed
- Models have either a 3-point latching system with handle or stainless steel captivated door screws
- Type 316 stainless steel POWERGLIDE Handle on handle versions
- Stainless steel captivated door screws on screw versions
- Seamless foam-in-place gasket assures a water-tight and dust-tight seal

- Painted steel top, bottom and side internal reinforcements standard; stainless steel corner reinforcements optional
- Solid centerpost (not removable) has heavy-gauge stiffener
- Heavy-duty Type 316 stainless steel lifting eyes
- Hinges are corrosion-resistant fiberglass with Type 316 stainless steel hinge pins
- Large data pocket (12.00 x 12.00 in. or 305 x 305 mm) is high-impact thermoplastic
- Molded-in angular sealing flange directs water away from gasket area
- Material is halogen free

Finish

Fiberglass enclosure is gray inside and out. White painted mild steel panels are included. Optional conductive panels are available.

Accessories

See also Accessories.
 Accessory Selection for Free-Stand, Type 4X
 Bottom Support Kits
 Floor Stand Kit
 H2OMIT® Vent Drains, Type 4X
 H2OMIT® Thermoelectric Dehumidifier
 HOL-SEALERS™ Non-Metallic Hole Seals

Modification and Customization

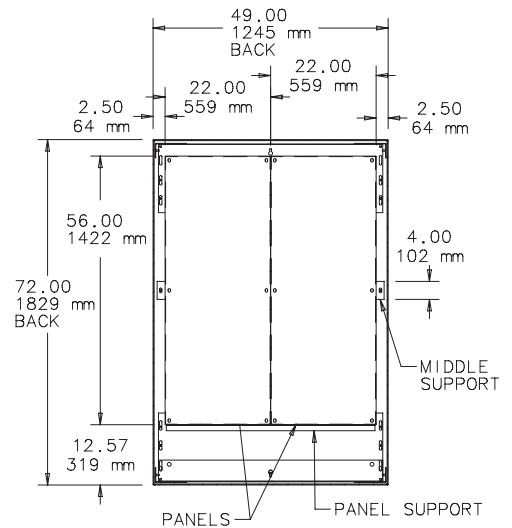
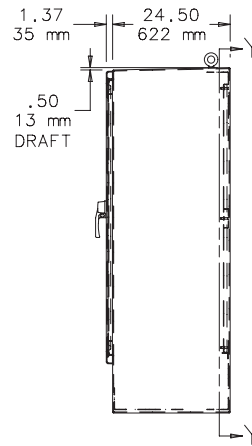
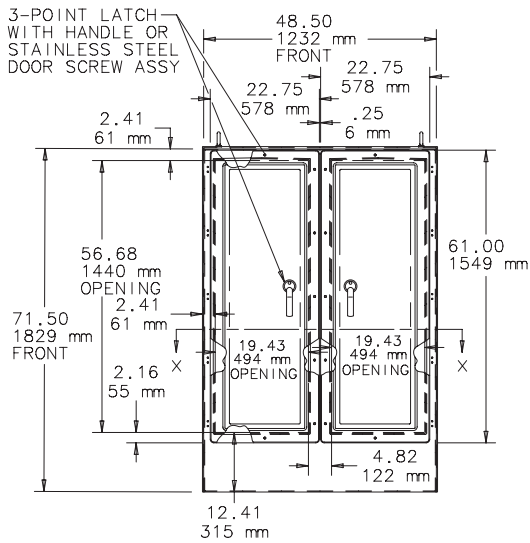
Hoffman excels at modifying and customizing products to your specifications. Contact your local Hoffman sales office or distributor for complete information.

Bulletin: A17

Standard Product

Catalog Number	AxBxC in./mm	Number of Panels	Panel Size in./mm
A724925FG	72.00 x 49.00 x 24.50 1829 x 1245 x 622	2	56.00 x 22.00 1422 x 559
A724925FGF53PT	72.00 x 49.00 x 24.50 1830 x 1245 x 622	2	56.00 x 22.00 1422 x 559

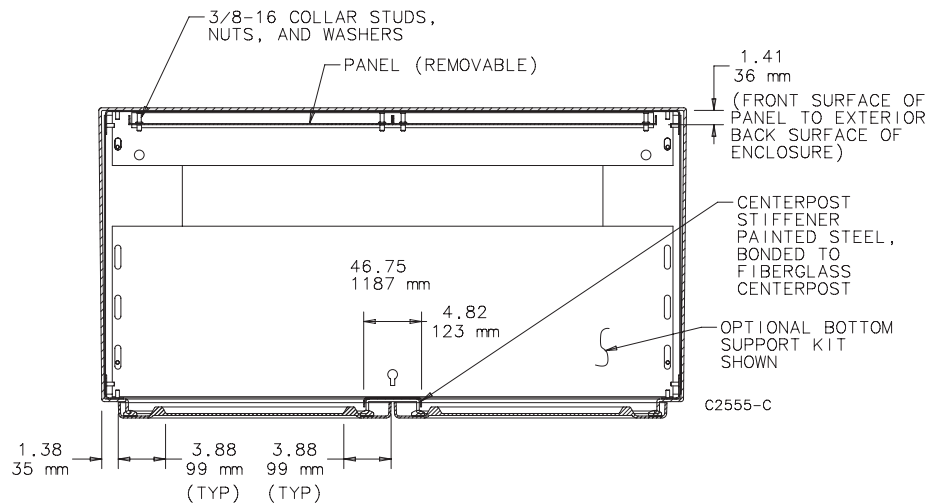
Two-Door Free-Stand



SECTION Y-Y

- NOTE: 1. Upper, middle, and lower supports as well as centerpost stiffener are steel.
 2. Optional Bottom Support Kit required when installing Caster, Floor-Stand Kit, or Unistrut Mounting Kit.

NOTE: Section Y-Y shown with the optional Bottom Support Kit and Unistrut Mounting Kit accessories installed.



SECTION X-X

Bottom Support Kits

Bulletin: A17Y

Catalog Number	Description
A17SUPPORT2	Inside Bottom Support -- Enclosure bottom support to allow option of installing casters or floor stand kits
A17UNISTRUT	Bolt-On Unistrut Channel (8 channels) -- Painted steel unistrut for accessory mounting

A17SUPPORT2 required to install A17UNISTRUT in two-door enclosures

QLINE® D
QLINE® D Pushbutton, Type 4X

Industry Standards

 UL 508A Listed; Type 4, 4X, 12, 13; No. E61997
 cUL Listed per CSA C22.2 No 94; Type 4, 4X, 12, 13; No. E61997
 Enclosure flammability evaluated per UL 508A

 NEMA/EEMAC Type 4, 4X, 12
 CSA File Number 42186: Type 4, 4X, 12
 IEC 60529, IP67

Application

Used for insulating and housing 30.5-mm or 22.5-mm pushbuttons in hostile environments, QLINE® D Enclosures have contoured bodies with flush cover screws for an attractive, contemporary appearance.

Specifications

- High-impact polycarbonate material is used for both body and cover
- Polycarbonate material is easily punched, drilled, filed or sawed
- Straight side walls permit ganging of multiple enclosures
- Cross-point captivated cover screws are stainless steel
- Mounting holes molded directly adjacent to cover screws
- Cover screws protected by removable caps that are both aesthetic and provide tamper resistance
- Molded internal pads for mounting optional panels, rails or other components
- Seamless foam-in-place gasket assures water-tight and dust-tight seal
- Screws provided for mounting optional panel
- Mounting hardware furnished
- Material is halogen free

Finish

Polycarbonate enclosure material is RAL 7035 light-gray inside and out. Optional panels are unpainted plated steel.

Accessories

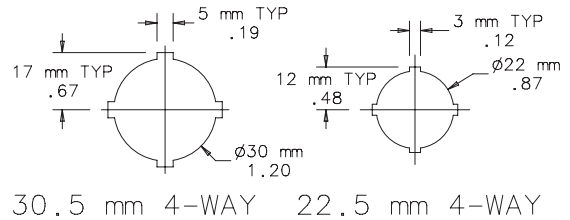
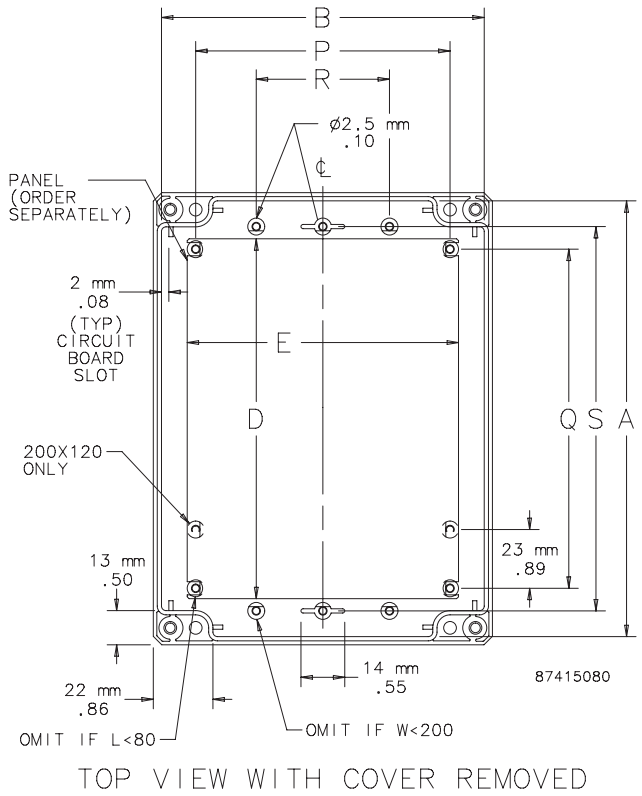
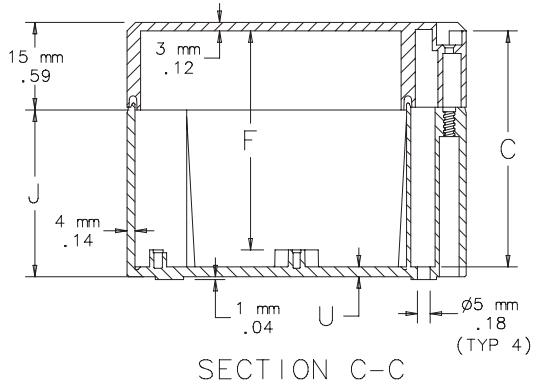
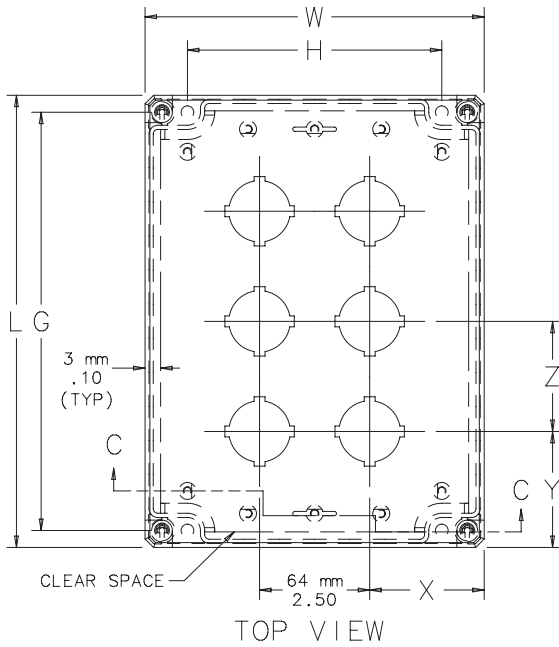
 See also *Accessories*.
 Hardware Kit
 Hinge Kit
 Mounting Bracket Kit
Bulletin: Q41
Standard Product

Catalog Number	Ax B x C mm/in.	Hole Size mm/in.	External Dimensions L x W mm/in.	Panel	Panel Size D x E mm/in.	Mounting										
						G x H mm/in.	F mm/in.	J mm/in.	P mm/in.	Q mm/in.	R mm/in.	S mm/in.	U mm/in.	X mm/in.	Y mm/in.	Z mm/in.
Q1PBPCD	75 x 73 x 79	30.5	82 x 80	Q88PD	68 x 55	70 x 50	72	70	58	44	—	58	3	40	41	—
	2.95 x 2.87 x 3.11		3.23 x 3.15		2.68 x 2.17	2.76 x 1.97	2.83	2.76	2.28	1.73	—	2.28	0.12	1.57	1.61	—
Q1PBPCDM	75 x 73 x 79	22.5	82 x 80	Q88PD	68 x 55	70 x 50	72	70	58	44	—	58	3	40	41	—
	2.95 x 2.87 x 3.11		3.23 x 3.15		2.68 x 2.17	2.76 x 1.97	2.83	2.76	2.28	1.73	—	2.28	0.12	1.57	1.61	—
Q2PBPCDM	113 x 73 x 79	22.5	120 x 80	Q128PD	91 x 65	108 x 50	72	70	58	82	—	96	3	40	36	48
	4.45 x 2.87 x 3.11		4.72 x 3.15		3.58 x 2.56	4.25 x 1.97	2.83	2.76	2.28	3.22	—	3.78	0.12	1.57	1.42	1.89
Q2PBPCD	153 x 73 x 79	30.5	160 x 80	Q168PD	131 x 65	148 x 50	72	70	58	122	—	136	3	40	48	64
	6.02 x 2.87 x 3.11		6.30 x 3.15		5.16 x 2.56	5.83 x 1.97	2.83	2.76	2.28	4.80	—	5.35	0.12	1.57	1.89	2.52
Q3PBPCDM	153 x 73 x 79	22.5	160 x 80	Q168PD	131 x 65	148 x 50	72	70	58	122	—	136	3	40	32	48
	6.02 x 2.87 x 3.11		6.30 x 3.15		5.16 x 2.56	5.83 x 1.97	2.83	2.76	2.28	4.80	—	5.35	0.12	1.57	1.26	1.89
Q3PBPCD	193 x 113 x 79	30.5	200 x 120	Q2012PD	170 x 100	188 x 90	72	70	90	160	40	176	3	60	36	64
	7.60 x 4.45 x 3.11		7.87 x 4.72		6.69 x 3.94	7.40 x 3.54	2.83	2.76	3.54	6.30	1.57	6.93	0.12	2.36	1.42	2.52
Q4PBPCD	193 x 113 x 79	30.5	200 x 120	Q2012PD	170 x 100	188 x 90	72	70	90	160	40	176	3	28	68	64
	7.60 x 4.45 x 3.11		7.87 x 4.72		6.69 x 3.94	7.40 x 3.54	2.83	2.76	3.54	6.30	1.57	6.93	0.12	1.10	2.68	2.52
Q4PBPCDM	193 x 113 x 79	22.5	200 x 120	Q2012PD	170 x 100	188 x 90	72	70	90	160	40	176	3	60	28	48
	7.60 x 4.45 x 3.11		7.87 x 4.72		6.69 x 3.94	7.40 x 3.54	2.83	2.76	3.54	6.30	1.57	6.93	0.12	2.36	1.10	1.89
Q6PBPCD	233 x 153 x 84	30.5	240 x 160	Q2416PD	211 x 148	228 x 130	78	75	138	202	75	215	4	48	56	64
	9.17 x 6.02 x 3.29		9.45 x 6.30		8.31 x 5.83	8.98 x 5.12	3.07	2.95	5.43	7.95	2.95	8.46	0.16	1.89	2.20	2.52

A x B x C are internal dimensions.

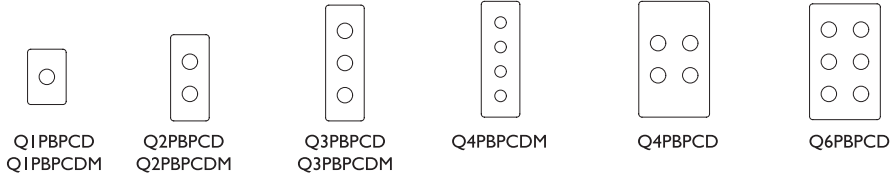
Purchase panels separately.

QLINE® D



QLINE D Polycarbonate Type 4X Pushbutton Hole Arrangement Drawing

Hole Arrangement



QLINE® D
QLINE® D, Type 4X

Industry Standards
Polycarbonate Enclosure

UL 508A Listed; Type 4, 4X, 6, 12, 13; File No. E61997
 cUL Listed per CSA C22.2 No 94; Type 4, 4X, 6, 12, 13; File No. E61997
 Enclosure flammability evaluated per UL 508A

NEMA/EEMAC Type 4, 4X, 6, 12, 13
 CSA File No. 42186: Type 4, 4X, 6, 12, 13
 IEC 60529, IP67

ABS Enclosure

NEMA/EEMAC Type 4, 4X, 6, 12, 13
 IEC 60529, IP67

Application

QLINE® D polycarbonate and ABS enclosures have contoured bodies with flush cover screws for an attractive, contemporary appearance. Tough as well as stylish, they are functional in corrosive environments and can withstand occasional submersion.

The ABS series shares the same features and similar physical properties as the polycarbonate but is a more economical, non-UL rated alternative.

Specifications

- Body is impact-resistant polycarbonate for PCD series and ABS for ABD series
- Opaque and clear covers are impact-resistant polycarbonate for PCD series and ABS for ABD series
- Polycarbonate material is easily punched, drilled, filed or sawed
- Straight side walls permit ganging of multiple enclosures
- Cross-point captivated cover screws are stainless steel
- Mounting holes molded directly adjacent to cover screws
- Cover screws protected by removable caps that are aesthetic and provide tamper resistance
- Molded internal pads for mounting optional panels, rails and other components
- Panel mounting feature on both body and cover
- Seamless foam-in-place gasket assures water-tight and dust-tight seal
- Screws provided for mounting optional panel
- Material is halogen free

Finish

Polycarbonate and ABS enclosures are light-gray (RAL 7035) inside and out. Optional panels are plated steel.

Accessories

See also Accessories.
 Hardware Kit
 Hinge Kit
 HOL-SEALERS™ Non-Metallic Hole Seals
 Mounting Bracket Kit

Modification and Customization

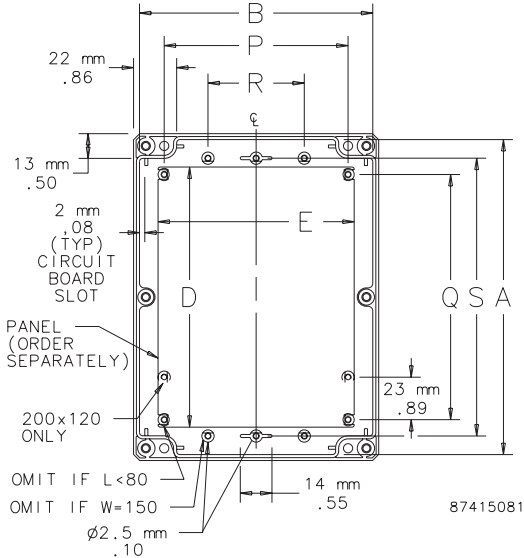
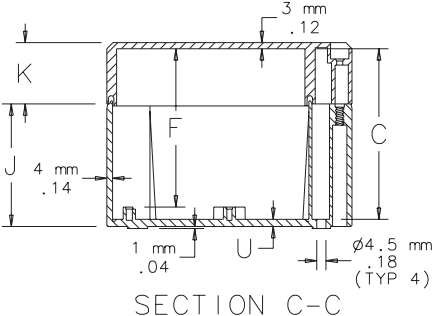
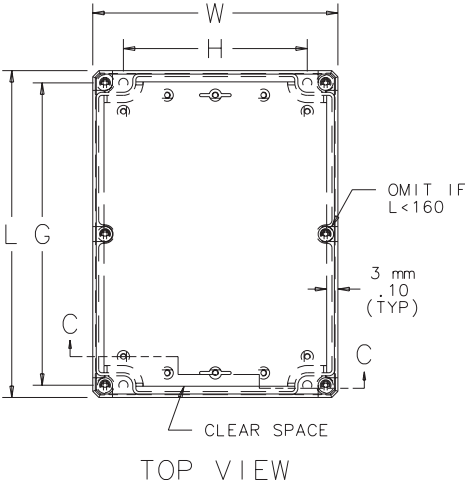
Hoffman excels at modifying and customizing products to your specifications. Contact your local Hoffman sales office or distributor for complete information.

Bulletin: Q41

QLINE® D
Standard Product ABS

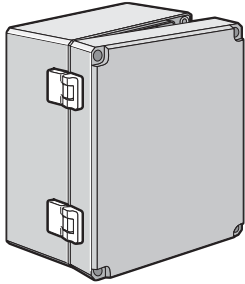
Catalog Number	AxBxC mm/in.	Cover Style	External Dimensions		Panel	Panel Size D x E mm/in.	Mtg. G x H mm/in.	F mm/in.	J mm/in.	K mm/in.	P mm/in.	Q mm/in.	R mm/in.	S mm/in.	U mm/in.
			L x W mm/in.												
Q554ABD	50 x 48 x 31	Opaque	55 x 53	—	—	43 x 41	28	25	10	16	—	—	—	—	2
	1.97 x 1.89 x 1.22		2.17 x 2.09	—	—	1.69 x 1.61	1.10	.98	.39	.63	—	—	—	—	.08
Q554ABDCC	50 x 48 x 31	Clear	55 x 53	—	—	43 x 41	28	25	10	16	—	—	—	—	2
	1.97 x 1.89 x 1.22		2.17 x 2.09	—	—	1.69 x 1.61	1.10	.98	.39	.63	—	—	—	—	.08
Q886ABD	76 x 74 x 49	Opaque	82 x 80	Q88PD	68 x 55	70 x 50	42	40	15	58	44	—	—	58	3
	2.99 x 2.91 x 1.93		3.23 x 3.15		2.68 x 2.17	2.76 x 2.17	1.65	1.57	.59	2.28	1.73	—	—	2.28	.12
Q886ABDCC	76 x 74 x 49	Clear	82 x 80	Q88PD	68 x 55	70 x 50	42	40	15	58	44	—	—	58	3
	2.99 x 2.91 x 1.93		3.23 x 3.15		2.68 x 2.17	2.76 x 2.17	1.65	1.57	.59	2.28	1.73	—	—	2.28	.12
Q1286ABD	114 x 74 x 49	Opaque	120 x 80	Q128PD	91 x 65	108 x 50	42	40	15	58	82	—	—	96	3
	4.49 x 2.91 x 1.93		4.72 x 3.15		3.58 x 2.56	4.25 x 1.97	1.65	1.57	.59	2.28	3.23	—	—	3.78	.12
Q1286ABDCC	114 x 74 x 49	Clear	120 x 80	Q128PD	91 x 65	108 x 50	42	40	15	58	82	—	—	96	3
	4.49 x 2.91 x 1.93		4.72 x 3.15		3.58 x 2.56	4.25 x 1.97	1.65	1.57	.59	2.28	3.23	—	—	3.78	.12
Q1686ABD	154 x 74 x 49	Opaque	160 x 80	Q168PD	131 x 65	148 x 50	42	40	15	58	122	—	—	136	3
	6.06 x 2.91 x 1.93		6.30 x 3.15		5.16 x 2.56	5.83 x 1.97	1.65	1.57	.59	2.28	4.80	—	—	5.35	.12
Q1686ABDCC	154 x 74 x 49	Clear	160 x 80	Q168PD	131 x 65	148 x 50	42	40	15	58	122	—	—	136	3
	6.06 x 2.91 x 1.93		6.30 x 3.15		5.16 x 2.56	5.83 x 1.97	1.65	1.57	.59	2.28	4.80	—	—	5.35	.12
Q12126ABD	116 x 114 x 49	Opaque	122 x 120	Q1212PD	105 x 93	110 x 90	42	40	15	98	84	—	—	98	3
	4.57 x 4.49 x 1.93		4.80 x 4.72		4.13 x 3.66	4.33 x 3.54	1.65	1.57	.59	3.86	3.31	—	—	3.86	.12
Q12126ABDCC	116 x 114 x 49	Clear	122 x 120	Q1212PD	105 x 93	110 x 90	42	40	15	98	84	—	—	98	3
	4.57 x 4.49 x 1.93		4.80 x 4.72		4.13 x 3.66	4.33 x 3.54	1.65	1.57	.59	3.86	3.31	—	—	3.86	.12
Q20158ABD	193 x 143 x 69	Opaque	200 x 150	Q2015PD	170 x 128	188 x 120	62	60	15	118	160	118	118	176	3
	7.60 x 5.63 x 2.72		7.87 x 5.91		6.69 x 5.04	7.40 x 4.72	2.44	2.36	.59	4.65	6.30	4.65	4.65	6.93	.12
Q20158ABDCC	193 x 143 x 69	Clear	200 x 150	Q2015PD	170 x 128	188 x 120	62	60	15	118	160	118	118	176	3
	7.60 x 5.63 x 2.72		7.87 x 5.91		6.69 x 5.04	7.40 x 4.72	2.44	2.36	.59	4.65	6.30	4.65	4.65	6.93	.12
Q889ABD	76 x 74 x 79	Opaque	82 x 80	Q88PD	68 x 55	70 x 50	72	70	15	58	44	37	—	58	3
	2.99 x 2.91 x 3.11		3.23 x 3.15		2.68 x 2.17	2.76 x 1.97	2.83	2.76	.59	2.28	1.73	1.46	—	2.28	.12
Q889ABDCC	76 x 74 x 79	Clear	82 x 80	Q88PD	68 x 55	70 x 50	72	70	15	58	44	37	—	58	3
	2.99 x 2.91 x 3.11		3.23 x 3.15		2.68 x 2.17	2.76 x 1.97	2.83	2.76	.59	2.28	1.73	1.46	—	2.28	.12
Q1289ABD	113 x 73 x 79	Opaque	120 x 80	Q128PD	91 x 65	108 x 50	72	70	15	58	82	—	—	58	3
	4.45 x 2.87 x 3.11		4.72 x 3.15		3.58 x 2.56	4.25 x 1.97	2.83	2.76	.59	2.28	3.23	—	—	2.28	.12
Q1289ABDCC	113 x 73 x 79	Clear	120 x 80	Q128PD	91 x 65	108 x 50	72	70	15	58	82	—	—	58	3
	4.45 x 2.87 x 3.11		4.72 x 3.15		3.58 x 2.56	4.25 x 1.97	2.83	2.76	.59	2.28	3.23	—	—	2.28	.12
Q1689ABD	153 x 73 x 79	Opaque	160 x 80	Q168PD	131 x 65	148 x 50	72	70	15	58	122	—	—	136	3
	6.02 x 2.87 x 3.11		6.30 x 3.15		5.16 x 2.56	5.83 x 1.97	2.83	2.76	.59	2.28	4.80	—	—	5.35	.12
Q1689ABDCC	153 x 73 x 79	Clear	160 x 80	Q168PD	131 x 65	148 x 50	72	70	15	58	122	—	—	136	3
	6.02 x 2.87 x 3.11		6.30 x 3.15		5.16 x 2.56	5.83 x 1.97	2.83	2.76	.59	2.28	4.80	—	—	5.35	.12
Q12129ABD	116 x 114 x 79	Opaque	122 x 120	Q1212PD	105 x 93	110 x 90	72	70	15	98	84	97	—	98	3
	4.57 x 4.49 x 3.11		4.80 x 4.72		4.13 x 3.66	4.33 x 3.54	2.83	2.76	.59	3.86	3.31	3.82	—	3.86	.12
Q12129ABDCC	116 x 114 x 79	Clear	122 x 120	Q1212PD	105 x 93	110 x 90	72	70	15	98	84	97	—	98	3
	4.57 x 4.49 x 3.11		4.80 x 4.72		4.13 x 3.66	4.33 x 3.54	2.83	2.76	.59	3.86	3.31	3.82	—	3.86	.12
Q20129ABD	193 x 113 x 79	Opaque	200 x 120	Q2012PD	170 x 100	188 x 90	72	70	15	90	160	40	—	176	3
	7.60 x 4.45 x 3.11		7.87 x 4.72		6.69 x 3.94	7.40 x 3.54	2.83	2.76	.59	3.54	6.30	1.67	—	6.93	.12
Q20129ABDCC	193 x 113 x 79	Clear	200 x 120	Q2012PD	170 x 100	188 x 90	72	70	15	90	160	40	—	176	3
	7.60 x 4.45 x 3.11		7.87 x 4.72		6.69 x 3.94	7.40 x 3.54	2.83	2.76	.59	3.54	6.30	1.67	—	6.93	.12
Q30239ABD	293 x 223 x 79	Opaque	300 x 230	Q3023PD	265 x 210	288 x 200	73	55	30	198	255	160	—	275	4
	11.54 x 8.78 x 3.11		11.81 x 9.05		10.43 x 8.27	11.34 x 7.87	2.87	2.17	1.18	7.80	10.04	6.30	—	10.83	.16
Q30239ABDCC	293 x 223 x 79	Clear	300 x 230	Q3023PD	265 x 210	288 x 200	73	55	30	198	255	160	—	275	4
	11.54 x 8.78 x 3.11		11.81 x 9.05		10.43 x 8.27	11.34 x 7.87	2.87	2.17	1.18	7.80	10.04	6.30	—	10.83	.16
Q16129ABD	153 x 113 x 84	Opaque	160 x 120	Q1612PD	130 x 100	148 x 90	78	60	30	90	120	—	—	136	3
	6.02 x 4.45 x 3.31		6.30 x 4.72		5.12 x 3.94	5.83 x 3.54	3.07	2.36	1.18	3.54	4.72	—	—	5.35	.12
Q16129ABDCC	153 x 113 x 84	Clear	160 x 120	Q1612PD	130 x 100	148 x 90	78	60	30	90	120	—	—	136	3
	6.02 x 4.45 x 3.31		6.30 x 4.72		5.12 x 3.94	5.83 x 3.54	3.07	2.36	1.18	3.54	4.72	—	—	5.35	.12
Q24169ABD	233 x 153 x 84	Opaque	240 x 160	Q2416PD	211 x 148	228 x 130	78	75	15	138	202	75	—	215	4
	9.17 x 6.02 x 3.31		9.45 x 6.30		8.31 x 5.83	8.98 x 5.12	3.07	2.95	.59	5.43	7.95	2.95	—	8.46	.16
Q24169ABDCC	233 x 153 x 84	Clear	240 x 160	Q2416PD	211 x 148	228 x 130	78	75	15	138	202	75	—	215	4
	9.17 x 6.02 x 3.31		9.45 x 6.30		8.31 x 5.83	8.98 x 5.12	3.07	2.95	.59	5.43	7.95	2.95	—	8.46	.16
Q302311ABD	293 x 223 x 104	Opaque	300 x 230	Q3023PD	265 x 210	288 x 200	98	55	55	198	255	160	—	275	4
	11.54 x 8.78 x 4.09		11.81 x 9.06		10.43 x 8.27	11.34 x 7.87	3.86	2.17	2.17	7.80	10.04	6.30	—	10.83	.16
Q302311ABDCC	293 x 223 x 104	Clear	300 x 230	Q3023PD	265 x 210	288 x 200	98	55	55	198	255	160	—	275	4
	11.54 x 8.78 x 4.09		11.81 x 9.06		10.43 x 8.27	11.34 x 7.87	3.86	2.17	2.17	7.80	10.04	6.30	—	10.83	.16
Q241612ABD	233 x 153 x 114	Opaque	240 x 160	Q2416PD	211 x 148	228 x 130	108	75	45	75	202	75	—	215	4
	9.17 x 6.02 x 4.49		9.45 x 6.30		8.31 x 5.83	8.98 x 5.12	4.25	2.95	1.77	2.95	7.95	2.95	—	8.46	.16
Q241612ABDCC	223 x 153 x 114	Clear	240 x 160	Q2416PD	211 x 148	228 x 130	108	75	45	75	202	75	—	215	4
	9.17 x 6.02 x 4.49		9.45 x 6.30		8.31 x 5.83	8.98 x 5.12	4.25	2.95	1.77	2.95	7.95	2.95	—	8.46	.16

QLINE® D



QLINE® D

Hinge Kit

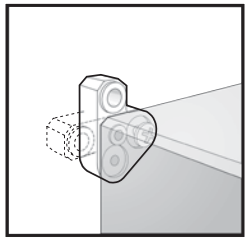


Hinge Kit includes two polyamide hinges, eight M4 self-tapping, plated screws, eight flat washers and drilling templates. Use on all QLINE® D enclosures. *Hinge Kit meets Type 4 requirements.*

Bulletin: Q41Y

Catalog Number
QDEHK

Mounting Bracket Kit

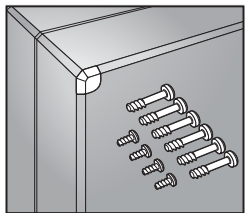


Mounting Bracket Kit has four polycarbonate brackets and four M4 self-tapping, plated screws. Kit is field-installable. Use on all QLINE® D enclosures. Maintains listed ratings for enclosure.

Bulletin: Q41Y

Catalog Number
QDMFK

Hardware Kit

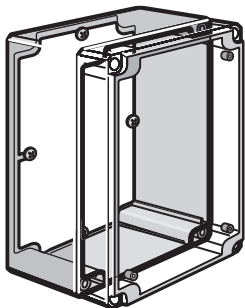


Hardware Kit includes six self-tapping, stainless steel cover screws, four self-tapping plated panel screws and six removable plastic caps that fit over the screws to provide tamper resistance as well as a clean aesthetic appearance. This kit is offered as a replacement kit for lost or damaged hardware originally furnished with the enclosure.

Bulletin: Q41Y

Catalog Number
QDHHK

Panels



Bulletin: Q41Y

Catalog Number	Panel Size D x E mm/in.	Mounting G x H mm/in.
Q88PD	68 x 55 2.68 x 2.17	70 x 50 2.76 x 1.97
Q128PD	91 x 65 3.58 x 2.56	108 x 50 4.25 x 1.97
Q168PD	131 x 65 5.16 x 2.56	148 x 50 5.83 x 1.97
Q1212PD	105 x 93 4.13 x 3.66	110 x 90 4.33 x 3.54
Q1612PD	130 x 100 5.12 x 3.94	148 x 90 5.83 x 3.54
Q2012PD	170 x 100 6.69 x 3.94	188 x 90 7.40 x 3.54
Q2015PD	170 x 128 6.69 x 5.04	188 x 120 7.40 x 4.72
Q2416PD	211 x 148 8.31 x 5.83	228 x 130 8.98 x 5.12
Q3023PD	265 x 210 10.43 x 8.27	288 x 200 11.34 x 7.87

QLINE® D

Notes

QLINE® D

QLINE® D, EMC, Type 4X



Industry Standards

UL 508A Listed; Type 4, 4X, 12, 13
 cUL Listed per CSA C22.2 No 94; Type 4, 4X, 12, 13; File No. E61997
 Enclosure flammability evaluated per UL 508A

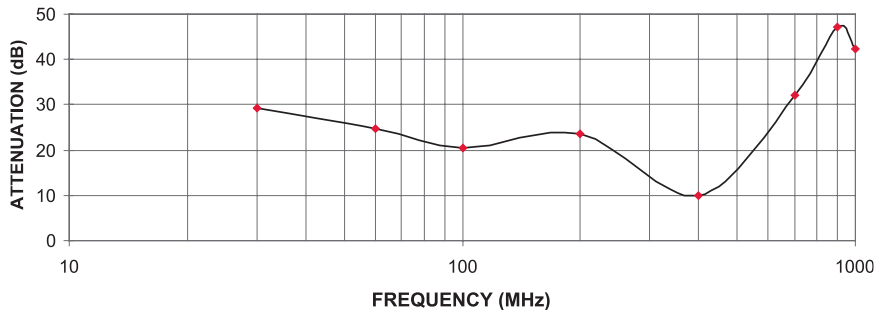
NEMA/EEMAC Type 4, 4X, 12, 13
 IEC 60529, IP66

Standard Product

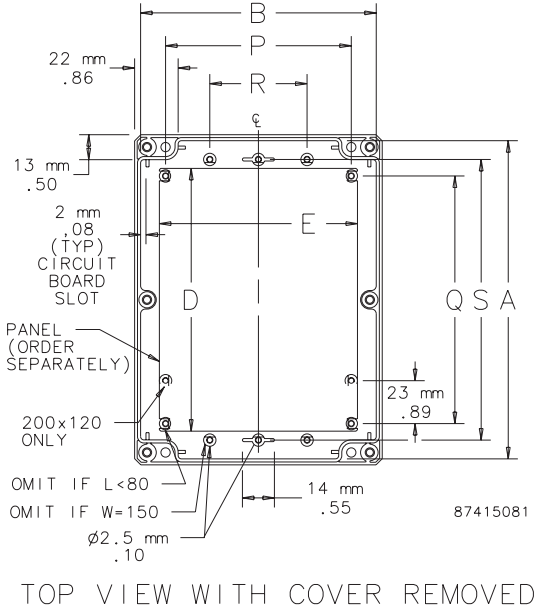
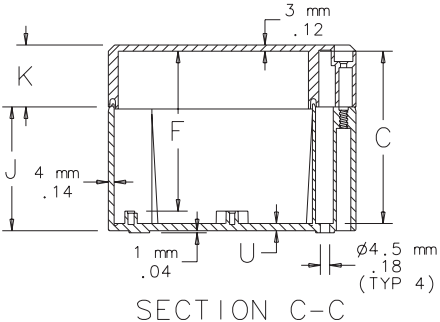
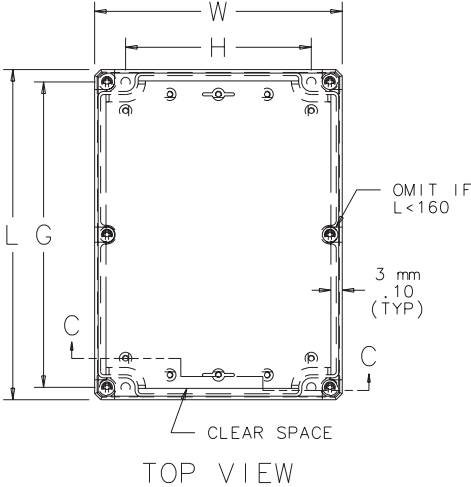
Catalog Number	External Dimensions		Internal Dimensions		Panel	Panel Size		Mounting							
	AxBxC mm/in.	LxW mm/in.	AxBxC mm/in.	AxBxC mm/in.		DxE mm/in.	GxH mm/in.	F mm/in.	J mm/in.	K mm/in.	P mm/in.	Q mm/in.	R mm/in.	S mm/in.	U mm/in.
Q1286PCEMC	120 x 80 x 55	120 x 80	114 x 74 x 49	Q128PD	91 x 65	108 x 50	42	40	15	58	82	—	96	3	
	4.70 x 3.10 x 2.20	4.72 x 3.15	4.47 x 2.89 x 1.93	Q128PD	3.58 x 2.56	4.25 x 1.97	1.65	1.57	0.59	2.28	3.21	—	3.78	0.12	
Q1289PCEMC	120 x 80 x 85	120 x 80	113 x 73 x 79	Q128PD	91 x 65	108 x 50	72	70	15	58	82	—	96	3	
	4.70 x 3.10 x 3.30	4.72 x 3.15	4.45 x 2.87 x 3.11	Q128PD	3.58 x 2.56	4.25 x 1.97	2.83	2.76	0.59	2.28	3.21	—	3.78	0.12	
Q16129PCEMC	160 x 120 x 90	160 x 120	153 x 113 x 84	Q1612PD	130 x 100	148 x 90	77.5	60	30	90	120	—	136	3	
	6.30 x 4.70 x 3.50	6.30 x 4.72	6.02 x 4.45 x 3.29	Q1612PD	5.12 x 3.94	5.83 x 3.54	3.05	2.36	1.18	3.54	4.72	—	5.35	0.12	
Q1689PCEMC	160 x 80 x 85	160 x 80	153 x 73 x 79	Q168PD	131 x 65	148 x 50	72	70	15	58	122	—	136	3	
	6.30 x 3.10 x 3.30	6.30 x 3.15	6.02 x 2.87 x 3.11	Q168PD	5.16 x 2.56	5.83 x 1.97	2.83	2.76	0.59	2.28	4.78	—	5.35	0.12	
Q20129PCEMC	200 x 120 x 85	200 x 120	193 x 113 x 79	Q2012PD	170 x 100	188 x 90	72	70	15	90	160	40	176	3	
	7.90 x 4.70 x 3.30	7.87 x 4.72	7.60 x 4.45 x 3.11	Q2012PD	6.69 x 3.94	7.40 x 3.54	2.83	2.76	0.59	3.54	6.30	1.57	6.93	0.12	
Q24169PCEMC	240 x 160 x 90	240 x 160	233 x 153 x 84	Q2416PD	211 x 148	228 x 130	77.5	75	15	138	202	75	215	3.5	
	9.40 x 6.30 x 3.50	9.45 x 6.30	9.17 x 6.02 x 3.29	Q2416PD	8.31 x 5.83	8.98 x 5.12	3.05	2.95	0.59	5.43	7.93	2.95	8.46	0.14	

Purchase panels separately.

Q1286PCEMC QLINE® D Enclosure Shielding Effectiveness



QLINE® D



QLINE® E
QLINE® E, Type 4X

Industry Standards
Polycarbonate Enclosure

UL 508A Listed; Type 4, 4X, 6, 12, 13; File No. E61997
 cUL Listed per CSA C22.2 No 94; Type 4, 4X, 6, 12, 13; File No. E61997
 Enclosure flammability evaluated per UL 508A

NEMA/EEMAC Type 4, 4X, 6, 12, 13
 CSA File No. 42186: Type 4, 4X, 12, 13
 IEC 60529, IP67

ABS Enclosure

NEMA/EEMAC Type 4, 4X, 6, 12, 13
 IEC 60529, IP67

Application

QLINE® E Enclosures house larger controls, provide additional size-range options and offer greater internal mounting flexibility than smaller QLINE products. Featuring contoured bodies with flush cover screws, they are functional in corrosive environments and can withstand occasional submersion.

The ABS series shares the same features and similar physical properties as the polycarbonate but is a more economical, non-UL rated alternative.

Specifications

- Body is impact-resistant polycarbonate for PCE series and ABS for ABE series
- Opaque and clear covers are impact-resistant polycarbonate for PCE, opaque covers are ABS for ABE series
- Polycarbonate and ABS material is easily punched, drilled, filed or sawed
- Cross-point flush cover screws are strong, durable polyamide
- Cover includes a molded-in wire lead hole
- Mounting tracks along body side walls for PC card installation
- Molded internal pads for mounting optional panels, rails and other components
- Seamless foam-in-place gasket assures water-tight and dust-tight seal
- Material is halogen free

Finish

Polycarbonate and ABS enclosure material is RAL 7035 light-gray inside and out. Optional panels are plated steel.

Accessories

See also Accessories.
 Brass Inserts
 Hardware Kit
 Hinge Kit
 HOL-SEALERS™ Non-Metallic Hole Seals
 Mounting Bracket Kit

Modification and Customization

Hoffman excels at modifying and customizing products to your specifications. Contact your local Hoffman sales office or distributor for complete information.

Bulletin: Q41

QLINE® E
Standard Product Polycarbonate

Catalog Number	AxBxC mm/in.	Cover Style	External Dimensions		Panel	Panel Size D x E mm/in.	Mounting G x H mm/in.	F mm/in.	K mm/in.	P mm/in.	Q mm/in.	S mm/in.
			L x W mm/in.									
Q1388PCE	119 x 69 x 67	Opaque	125 x 75		Q138PE	98 x 48	110 x 60	61	25	40	75	90
	4.69 x 2.72 x 2.64		4.92 x 2.95			3.86 x 1.89	4.33 x 2.36	2.40	0.98	1.57	2.95	3.54
Q1388PCECC	119 x 69 x 67	Clear	125 x 75		Q138PE	98 x 48	110 x 60	61	25	40	75	90
	4.69 x 2.72 x 2.64		4.92 x 2.95			3.86 x 1.89	4.33 x 2.36	2.40	0.98	1.57	2.95	3.54
Q13138PCE	119 x 119 x 67	Opaque	125 x 125		Q1313PE	98 x 98	110 x 110	61	25	90	75	90
	4.69 x 4.69 x 2.64		4.92 x 4.92			3.86 x 3.86	4.33 x 4.33	2.40	0.98	3.54	2.95	3.54
Q13138PCECC	119 x 119 x 67	Clear	125 x 125		Q1313PE	98 x 98	110 x 110	61	25	90	75	90
	4.69 x 4.69 x 2.64		4.92 x 4.92			3.86 x 3.86	4.33 x 4.33	2.40	0.98	3.54	2.95	3.54
Q18138PCE	169 x 119 x 67	Opaque	175 x 125		Q1813PE	148 x 98	160 x 110	61	25	90	100	140
	6.65 x 4.69 x 2.64		6.89 x 4.92			5.83 x 3.86	6.30 x 4.33	2.40	0.98	3.54	3.94	5.51
Q18138PCECC	169 x 119 x 67	Clear	175 x 125		Q1813PE	148 x 98	160 x 110	61	25	90	100	140
	6.65 x 4.69 x 2.64		6.89 x 4.92			5.83 x 3.86	6.30 x 4.33	2.40	0.98	3.54	3.94	5.51
Q18188PCE	169 x 169 x 67	Opaque	175 x 175		Q1818PE	148 x 148	160 x 160	61	25	140	125	140
	6.65 x 6.65 x 2.64		6.89 x 6.89			5.83 x 5.83	6.30 x 6.30	2.40	0.98	5.51	4.92	5.51
Q18188PCECC	169 x 169 x 67	Clear	175 x 175		Q1818PE	148 x 148	160 x 160	61	25	140	125	140
	6.65 x 6.65 x 2.64		6.89 x 6.89			5.83 x 5.83	6.30 x 6.30	2.40	0.98	5.51	4.92	5.51
Q25188PCE	244 x 169 x 67	Opaque	250 x 175		Q2518PE	223 x 148	235 x 160	61	25	139	202	215
	9.61 x 6.65 x 2.64		9.84 x 6.89			8.78 x 5.83	9.25 x 6.30	2.40	0.98	5.47	7.95	8.46
Q25188PCECC	244 x 169 x 67	Clear	250 x 175		Q2518PE	223 x 148	235 x 160	61	25	139	202	215
	9.61 x 6.65 x 2.64		9.84 x 6.89			8.78 x 5.83	9.25 x 6.30	2.40	0.98	5.47	7.95	8.46
Q13810PCE	119 x 69 x 92	Opaque	125 x 75		Q138PE	98 x 48	110 x 60	86	50	40	75	90
	4.69 x 2.72 x 3.62		4.92 x 2.95			3.86 x 1.89	4.33 x 2.36	3.39	1.97	1.57	2.95	3.54
Q13810PCECC	119 x 69 x 92	Clear	125 x 75		Q138PE	98 x 48	110 x 60	86	50	40	75	90
	4.69 x 2.72 x 3.62		4.92 x 2.95			3.86 x 1.89	4.33 x 2.36	3.39	1.97	1.57	2.95	3.54
Q131310PCE	119 x 119 x 92	Opaque	125 x 125		Q1313PE	98 x 98	110 x 110	86	50	90	75	90
	4.69 x 4.69 x 3.62		4.92 x 4.92			3.86 x 3.86	4.33 x 4.33	3.39	1.97	3.54	2.95	3.54
Q131310PCECC	119 x 119 x 92	Clear	125 x 125		Q1313PE	98 x 98	110 x 110	86	50	90	75	90
	4.69 x 4.69 x 3.62		4.92 x 4.92			3.86 x 3.86	4.33 x 4.33	3.39	1.97	3.54	2.95	3.54
Q181310PCE	169 x 119 x 92	Opaque	175 x 125		Q1813PE	148 x 98	160 x 110	86	50	90	100	140
	6.65 x 4.69 x 3.62		6.89 x 4.92			5.83 x 3.86	6.30 x 4.33	3.39	1.97	3.54	3.94	5.51
Q181310PCECC	169 x 119 x 92	Clear	175 x 125		Q1813PE	148 x 98	160 x 110	86	50	90	100	140
	6.65 x 4.69 x 3.62		6.89 x 4.92			5.83 x 3.86	6.30 x 4.33	3.39	1.97	3.54	3.94	5.51
Q181810PCE	169 x 169 x 92	Opaque	175 x 175		Q1818PE	148 x 148	160 x 160	86	50	140	125	140
	6.65 x 6.65 x 3.62		6.89 x 6.89			5.83 x 5.83	6.30 x 6.30	3.39	1.97	5.51	4.92	5.51
Q181810PCECC	169 x 169 x 92	Clear	175 x 175		Q1818PE	148 x 148	160 x 160	86	50	140	125	140
	6.65 x 6.65 x 3.62		6.89 x 6.89			5.83 x 5.83	6.30 x 6.30	3.39	1.97	5.51	4.92	5.51
Q251810PCE	244 x 169 x 92	Opaque	250 x 175		Q2518PE	223 x 148	235 x 160	86	50	139	202	215
	9.61 x 6.65 x 3.62		9.84 x 6.89			8.78 x 5.83	9.25 x 6.30	3.39	1.97	5.47	7.95	8.46
Q251810PCECC	244 x 169 x 92	Clear	250 x 175		Q2518PE	223 x 148	235 x 160	86	50	139	202	215
	9.61 x 6.65 x 3.62		9.84 x 6.89			8.78 x 5.83	9.25 x 6.30	3.39	1.97	5.47	7.95	8.46
Q13813PCE	119 x 69 x 117	Opaque	125 x 75		Q138PE	98 x 48	110 x 60	111	75	40	75	90
	4.69 x 2.72 x 4.61		4.92 x 2.95			3.86 x 1.89	4.33 x 2.36	4.37	2.95	1.57	2.95	3.54
Q13813PCECC	119 x 69 x 117	Clear	125 x 75		Q138PE	98 x 48	110 x 60	111	75	40	75	90
	4.69 x 2.72 x 4.61		4.92 x 2.95			3.86 x 1.89	4.33 x 2.36	4.37	2.95	1.57	2.95	3.54
Q131313PCE	119 x 119 x 117	Opaque	125 x 125		Q1313PE	98 x 98	110 x 110	111	75	90	75	90
	4.69 x 4.69 x 4.61		4.92 x 4.92			3.86 x 3.86	4.33 x 4.33	4.37	2.95	3.54	2.95	3.54
Q131313PCECC	119 x 119 x 117	Clear	125 x 125		Q1313PE	98 x 98	110 x 110	111	75	90	75	90
	4.69 x 4.69 x 4.61		4.92 x 4.92			3.86 x 3.86	4.33 x 4.33	4.37	2.95	3.54	2.95	3.54
Q181313PCE	169 x 119 x 117	Opaque	175 x 125		Q1813PE	148 x 98	160 x 110	111	75	90	100	140
	6.65 x 4.69 x 4.61		6.89 x 4.92			5.83 x 3.86	6.30 x 4.33	4.37	2.95	3.54	3.94	5.51
Q181313PCECC	169 x 119 x 117	Clear	175 x 125		Q1813PE	148 x 98	160 x 110	111	75	90	100	140
	6.65 x 4.69 x 4.61		6.89 x 4.92			5.83 x 3.86	6.30 x 4.33	4.37	2.95	3.54	3.94	5.51
Q181813PCE	169 x 169 x 117	Opaque	175 x 175		Q1818PE	148 x 148	160 x 160	111	75	140	125	140
	6.65 x 6.65 x 4.61		6.89 x 6.89			5.83 x 5.83	6.30 x 6.30	4.37	2.95	5.51	4.92	5.51
Q181813PCECC	169 x 169 x 117	Clear	175 x 175		Q1818PE	148 x 148	160 x 160	111	75	140	125	140
	6.65 x 6.65 x 4.61		6.89 x 6.89			5.83 x 5.83	6.30 x 6.30	4.37	2.95	5.51	4.92	5.51
Q181315PCE	169 x 119 x 142	Opaque	175 x 125		Q1813PE	148 x 98	160 x 110	136	100	90	100	140
	6.65 x 4.69 x 5.59		6.89 x 4.92			5.83 x 3.86	6.30 x 4.33	5.35	3.94	3.54	3.94	5.51
Q181315PCECC	169 x 119 x 142	Clear	175 x 125		Q1813PE	148 x 98	160 x 110	136	100	90	100	140
	6.65 x 4.69 x 5.59		6.89 x 4.92			5.83 x 3.86	6.30 x 4.33	5.35	3.94	3.54	3.94	5.51
Q181815PCE	169 x 169 x 142	Opaque	175 x 175		Q1818PE	148 x 148	160 x 160	136	100	140	125	140
	6.65 x 6.65 x 5.59		6.89 x 6.89			5.83 x 5.83	6.30 x 6.30	5.35	3.94	5.51	4.92	5.51
Q181815PCECC	169 x 169 x 142	Clear	175 x 175		Q1818PE	148 x 148	160 x 160	136	100	140	125	140
	6.65 x 6.65 x 5.59		6.89 x 6.89			5.83 x 5.83	6.30 x 6.30	5.35	3.94	5.51	4.92	5.51
Q251815PCE	244 x 169 x 142	Opaque	250 x 175		Q2518PE	223 x 148	235 x 160	136	100	139	202	215
	9.61 x 6.65 x 5.59		9.84 x 6.89			8.78 x 5.83	9.25 x 6.30	5.35	3.94	5.47	7.95	8.46
Q251815PCECC	244 x 169 x 142	Clear	250 x 175		Q2518PE	223 x 148	235 x 160	136	100	139	202	215
	9.61 x 6.65 x 5.59		9.84 x 6.89			8.78 x 5.83	9.25 x 6.30	5.35	3.94	5.47	7.95	8.46

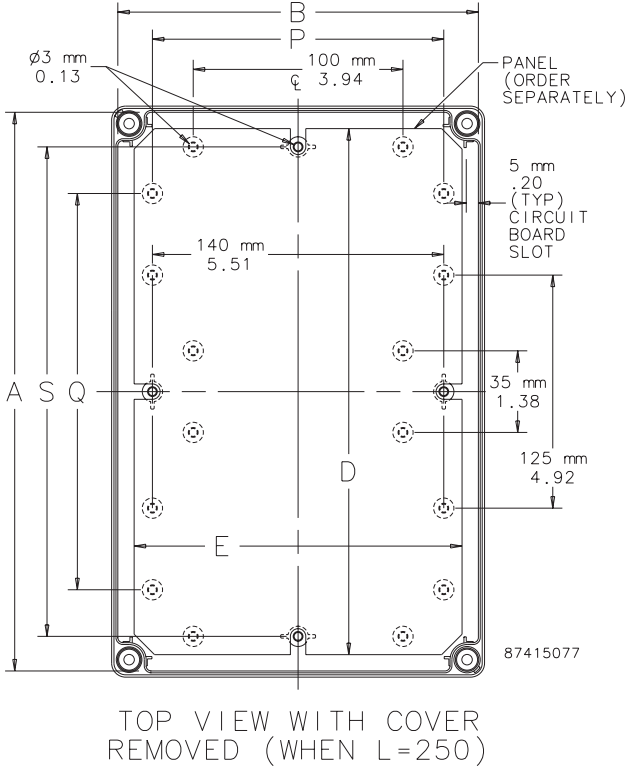
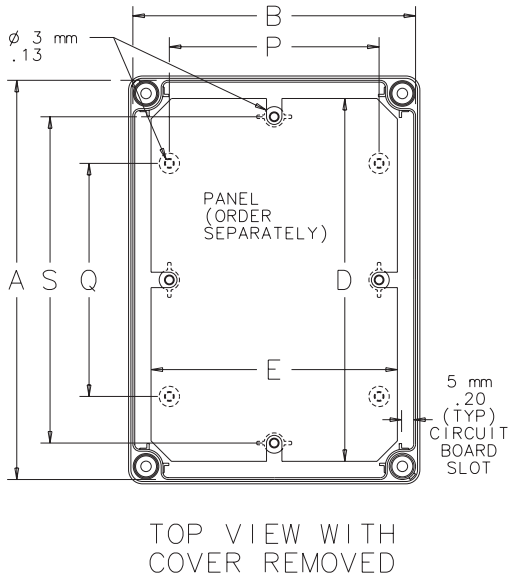
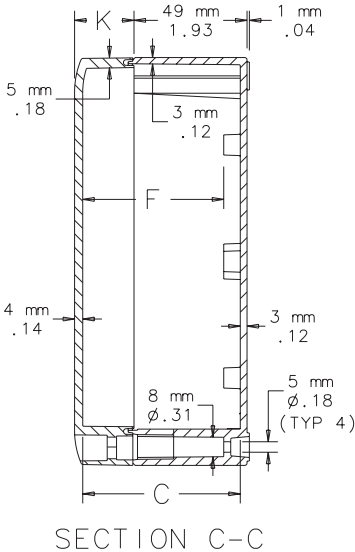
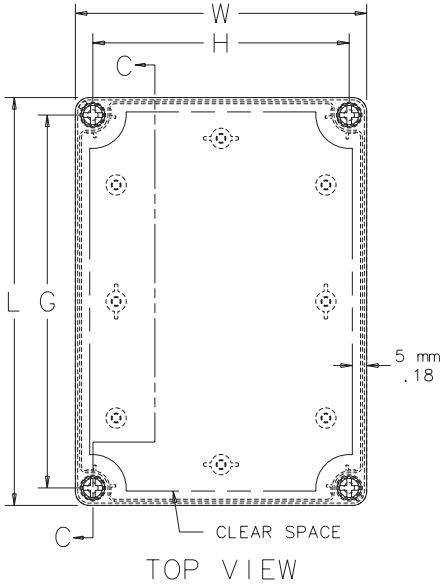
A x B x C are internal dimensions.

Purchase panels separately.

QLINE® E
Standard Product ABS

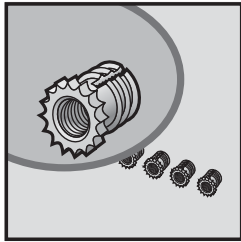
Catalog Number	AxBxC mm/in.	Cover Style	External Dimensions L x W mm/in.	Panel	Panel Size D x E mm/in.	Mounting G x H mm/in.	F mm/in.	K mm/in.	P mm/in.	Q mm/in.	S mm/in.
Q1388ABE	119 x 69 x 67	Opaque	125 x 75	Q138PE	98 x 48	110 x 60	61	25	40	75	90
	4.69 x 2.72 x 2.64		4.92 x 2.95		3.86 x 1.89	4.33 x 2.36	2.40	.98	1.57	2.95	3.54
Q1388ABECC	119 x 69 x 67	Clear	125 x 75	Q138PE	98 x 48	110 x 60	61	25	40	75	90
	4.69 x 2.72 x 2.64		4.92 x 2.95		3.86 x 1.89	4.33 x 2.36	2.40	.98	1.57	2.95	3.54
Q13138ABE	119 x 119 x 67	Opaque	125 x 125	Q1313PE	98 x 98	110 x 110	61	25	90	75	90
	4.69 x 4.69 x 2.64		4.92 x 4.92		3.86 x 3.86	4.33 x 4.33	2.40	.98	3.54	2.95	3.54
Q13138ABECC	119 x 119 x 67	Clear	125 x 125	Q1313PE	98 x 98	110 x 110	61	25	90	75	90
	4.69 x 4.69 x 2.64		4.92 x 4.92		3.86 x 3.86	4.33 x 4.33	2.40	.98	3.54	2.95	3.54
Q18138ABE	169 x 119 x 67	Opaque	175 x 125	Q1813PE	148 x 98	160 x 110	61	25	90	100	140
	6.65 x 4.69 x 2.64		6.89 x 4.92		5.83 x 3.86	6.30 x 4.33	2.40	.98	3.54	3.94	5.51
Q18138ABECC	169 x 119 x 67	Clear	175 x 125	Q1813PE	148 x 98	160 x 110	61	25	90	100	140
	6.65 x 4.69 x 2.64		6.89 x 4.92		5.83 x 3.86	6.30 x 4.33	2.40	.98	3.54	3.94	5.51
Q18188ABE	169 x 169 x 67	Opaque	175 x 175	Q1818PE	148 x 148	160 x 160	61	25	140	125	140
	6.65 x 6.65 x 2.64		6.89 x 6.89		5.83 x 5.83	6.30 x 6.30	2.40	.98	5.51	4.92	5.51
Q18188ABECC	169 x 169 x 67	Clear	175 x 175	Q1818PE	148 x 148	160 x 160	61	25	140	125	140
	6.65 x 6.65 x 2.64		6.89 x 6.89		5.83 x 5.83	6.30 x 6.30	2.40	.98	5.51	4.92	5.51
Q25188ABE	244 x 169 x 67	Opaque	250 x 175	Q2518PE	223 x 148	235 x 160	61	25	139	202	215
	9.61 x 6.65 x 2.64		9.84 x 6.89		8.78 x 5.83	9.25 x 6.30	2.40	.98	5.47	7.95	8.46
Q25188ABECC	244 x 169 x 67	Clear	250 x 175	Q2518PE	223 x 148	235 x 160	61	25	139	202	215
	9.61 x 6.65 x 2.64		9.84 x 6.89		8.78 x 5.83	9.25 x 6.30	2.40	.98	5.47	7.95	8.46
Q13810ABE	119 x 69 x 92	Opaque	125 x 75	Q138PE	98 x 48	110 x 60	86	50	40	75	90
	4.69 x 2.72 x 3.62		4.92 x 2.95		3.86 x 1.89	4.33 x 2.36	3.39	1.97	1.57	2.95	3.54
Q13810ABECC	119 x 69 x 92	Clear	125 x 75	Q138PE	98 x 48	110 x 60	86	50	40	75	90
	4.69 x 2.72 x 3.62		4.92 x 2.95		3.86 x 1.89	4.33 x 2.36	3.39	1.97	1.57	2.95	3.54
Q131310ABE	119 x 119 x 92	Opaque	125 x 125	Q1313PE	98 x 98	110 x 110	86	50	90	75	90
	4.69 x 4.69 x 3.62		4.92 x 4.92		3.86 x 3.86	4.33 x 4.33	3.39	1.97	3.54	2.95	3.54
Q131310ABECC	119 x 119 x 92	Clear	125 x 125	Q1313PE	98 x 98	110 x 110	86	50	90	75	90
	4.69 x 4.69 x 3.62		4.92 x 4.92		3.86 x 3.86	4.33 x 4.33	3.39	1.97	3.54	2.95	3.54
Q181310ABE	169 x 119 x 92	Opaque	175 x 125	Q1813PE	148 x 98	160 x 110	86	50	90	100	140
	6.65 x 4.69 x 3.62		6.89 x 4.92		5.83 x 3.86	6.30 x 4.33	3.39	1.97	3.54	3.94	5.51
Q181310ABECC	169 x 119 x 92	Clear	175 x 125	Q1813PE	148 x 98	160 x 110	86	50	90	100	140
	6.65 x 4.69 x 3.62		6.89 x 4.92		5.83 x 3.86	6.30 x 4.33	3.39	1.97	3.54	3.94	5.51
Q181810ABE	169 x 169 x 92	Opaque	175 x 175	Q1818PE	148 x 148	5.83 x 5.83	86	50	140	125	140
	6.65 x 6.65 x 3.62		6.89 x 6.89		5.83 x 5.83	6.30 x 6.30	3.39	1.97	5.51	4.92	5.51
Q181810ABECC	169 x 169 x 92	Clear	175 x 175	Q1818PE	148 x 148	5.83 x 5.83	86	50	140	125	140
	6.65 x 6.65 x 3.62		6.89 x 6.89		5.83 x 5.83	6.30 x 6.30	3.39	1.97	5.51	4.92	5.51
Q251810ABE	244 x 169 x 92	Opaque	250 x 175	Q2518PE	223 x 148	235 x 160	86	50	139	202	215
	9.61 x 6.65 x 3.62		9.84 x 6.89		8.78 x 5.83	9.25 x 6.30	3.39	1.97	5.47	7.95	8.46
Q251810ABECC	244 x 169 x 92	Clear	250 x 175	Q2518PE	223 x 148	235 x 160	86	50	139	202	215
	9.61 x 6.65 x 3.62		9.84 x 6.89		8.78 x 5.83	9.25 x 6.30	3.39	1.97	5.47	7.95	8.46
Q13813ABE	119 x 69 x 117	Opaque	125 x 75	Q138PE	98 x 48	110 x 60	111	75	40	75	90
	4.69 x 2.72 x 4.61		4.92 x 2.95		3.86 x 1.89	4.33 x 2.36	4.37	2.95	1.57	2.95	3.54
Q13813ABECC	119 x 69 x 117	Clear	125 x 75	Q138PE	98 x 48	110 x 60	111	75	40	75	90
	4.69 x 2.72 x 4.61		4.92 x 2.95		3.86 x 1.89	4.33 x 2.36	4.37	2.95	1.57	2.95	3.54
Q131313ABE	119 x 119 x 117	Opaque	125 x 125	Q1313PE	98 x 98	110 x 110	111	75	90	75	90
	4.69 x 4.69 x 4.61		4.92 x 4.92		3.86 x 3.86	4.33 x 4.33	4.37	2.95	3.54	2.95	3.54
Q131313ABECC	119 x 119 x 117	Clear	125 x 125	Q1313PE	98 x 98	110 x 110	111	75	90	75	90
	4.69 x 4.69 x 4.61		4.92 x 4.92		3.86 x 3.86	4.33 x 4.33	4.37	2.95	3.54	2.95	3.54
Q181313ABE	169 x 119 x 117	Opaque	175 x 125	Q1813PE	148 x 98	160 x 110	111	75	90	100	140
	6.65 x 4.69 x 4.61		6.89 x 4.92		5.83 x 3.86	6.30 x 4.33	4.37	2.95	3.54	3.94	5.51
Q181313ABECC	169 x 119 x 117	Clear	175 x 125	Q1813PE	148 x 98	160 x 110	111	75	90	100	140
	6.65 x 4.69 x 4.61		6.89 x 4.92		5.83 x 3.86	6.30 x 4.33	4.37	2.95	3.54	3.94	5.51
Q181813ABE	169 x 169 x 117	Opaque	175 x 175	Q1818PE	148 x 148	160 x 160	111	75	140	125	140
	6.65 x 6.65 x 4.61		6.89 x 6.89		5.83 x 5.83	6.30 x 6.30	4.37	2.95	5.51	4.92	5.51
Q181813ABECC	169 x 169 x 117	Clear	175 x 175	Q1818PE	148 x 148	160 x 160	111	75	140	125	140
	6.65 x 6.65 x 4.61		6.89 x 6.89		5.83 x 5.83	6.30 x 6.30	4.37	2.95	5.51	4.92	5.51
Q181315ABE	169 x 119 x 142	Opaque	175 x 125	Q1813PE	148 x 98	160 x 110	136	100	90	100	140
	6.65 x 4.69 x 5.59		6.89 x 4.92		5.83 x 3.86	6.30 x 4.33	5.35	3.94	3.54	3.94	5.51
Q181315ABECC	169 x 119 x 142	Clear	175 x 125	Q1813PE	148 x 98	160 x 110	136	100	90	100	140
	6.65 x 4.69 x 5.59		6.89 x 4.92		5.83 x 3.86	6.30 x 4.33	5.35	3.94	3.54	3.94	5.51
Q181815ABE	169 x 169 x 142	Opaque	175 x 175	Q1818PE	148 x 148	160 x 160	136	100	140	125	140
	6.65 x 6.65 x 5.59		6.89 x 6.89		5.83 x 5.83	6.30 x 6.30	5.35	3.94	5.51	4.92	5.51
Q181815ABECC	169 x 169 x 142	Clear	175 x 175	Q1818PE	148 x 148	160 x 160	136	100	140	125	140
	6.65 x 6.65 x 5.59		6.89 x 6.89		5.83 x 5.83	6.30 x 6.30	5.35	3.94	5.51	4.92	5.51
Q251815ABE	244 x 169 x 142	Opaque	250 x 175	Q2518PE	223 x 148	235 x 160	136	100	139	202	215
	9.61 x 6.65 x 5.59		9.84 x 6.89		8.78 x 5.83	9.25 x 6.30	5.35	3.94	5.47	7.95	8.46
Q251815ABECC	244 x 169 x 142	Clear	250 x 175	Q2518PE	223 x 148	235 x 160	136	100	139	202	215
	9.61 x 6.65 x 5.59		9.84 x 6.89		8.78 x 5.83	9.25 x 6.30	5.35	3.94	5.47	7.95	8.46

QLINE® E



QLINE® E

Brass Inserts

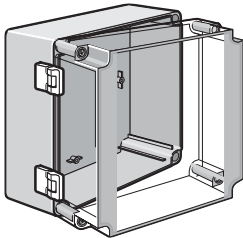


Self-tapping Brass Inserts fit into molded pads in the bottom of the enclosure. Inserts have an M2 internal machine screw thread and M4 self-tapping external thread.

Bulletin: Q41Y

Catalog Number	Description	Qty. Pkg.
QEBI	M2 thread inserts	4

Hinge Kit



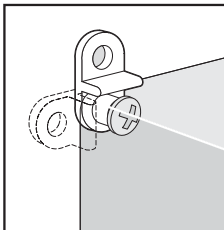
Includes two polyamid hinges, eight M4 self-tapping zinc-plated screws, eight flat washers and drilling template. Use on all QLINE® E enclosures.

Kit might not meet Type 4 requirements and should, therefore, be verified by customer.

Bulletin: Q41Y

Catalog Number
QDEHK

Mounting Bracket Kit

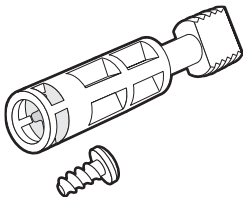


Kit includes four polycarbonate brackets and four M4 self-tapping, plated screws. Use on all QLINE® E enclosures. No modification to the enclosure is required for installation. Maintains listed ratings.

Bulletin: Q41Y

Catalog Number
QEMFK

Hardware Kit

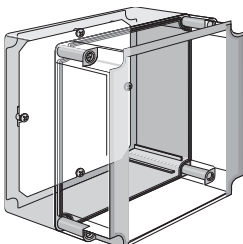


Four cross-point polyamide cover screws and four self-tapping plated screws used to mount optional panels, rails and other components. This kit is offered as a replacement kit for lost or damaged hardware originally furnished with the enclosure.

Bulletin: Q41Y

Catalog Number	Description	Fits QLINE Enclosure
QEHK35	35-mm screw	when C = 67 mm, 117 mm or 142 mm
QEHK60	60-mm screw	when C = 92 mm

Panels



Bulletin: Q41Y

Catalog Number	Panel Size D x E mm/in.
Q138PE	98 x 48 3.86 x 1.89
Q1313PE	98 x 98 3.86 x 3.86
Q1813PE	148 x 98 5.83 x 3.86
Q1818PE	148 x 148 5.83 x 5.83
Q2518PE	223 x 148 8.78 x 5.83

QLINE® E
QLINE® E, EMC, Type 4X

Application

Medium-size QLINE® E polycarbonate EMC enclosures have contoured bodies and flush cover screws for an attractive, contemporary appearance while also providing EMC protection in corrosive environments.

Specifications

- Body is impact-resistant polycarbonate
- EMC conductive coating in base and cover
- Gasket of silver/silicone
- Mounting holes molded directly under cover screws
- Screws provided for mounting optional panel
- Polycarbonate material is easily punched, drilled, filed or sawed
- Cross-point flush cover screws are strong, durable polyamide
- Mounting tracks along body side walls for PC card installation
- Molded internal pads for mounting optional panels, rails and other components

Finish

Enclosure material is RAL 7035 light-gray outside. Optional panels are conductive steel.

Bulletin: Q41EM

Industry Standards

UL 508A Listed; Type 4, 4X, 12, 13; File No. E61997
 cUL Listed per CSA C22.2 No 94: Type 4, 4X, 12, 13; File No. E61997
 Enclosure flammability evaluated per UL 508A

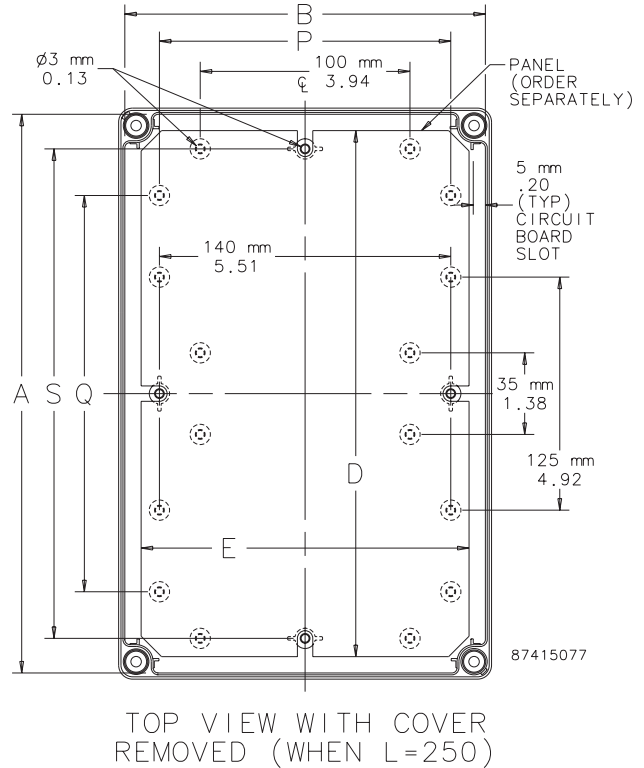
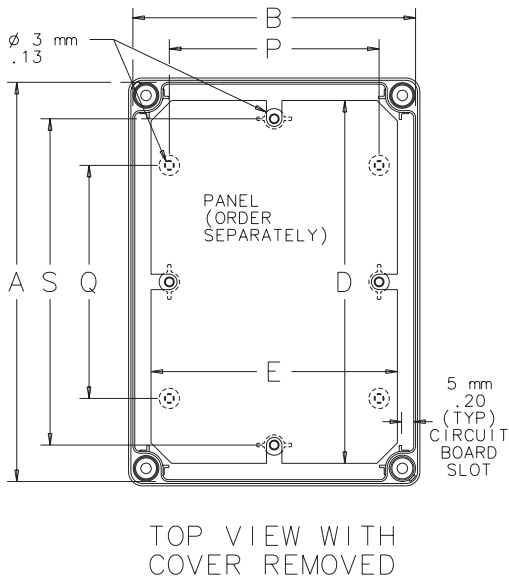
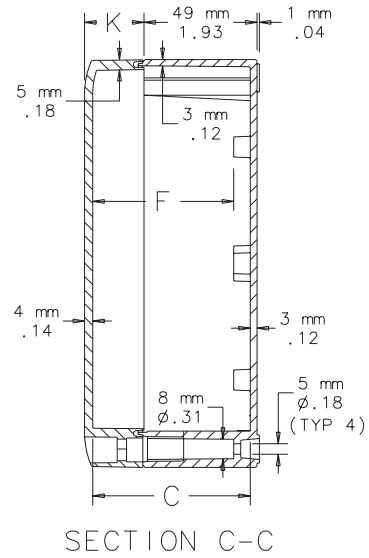
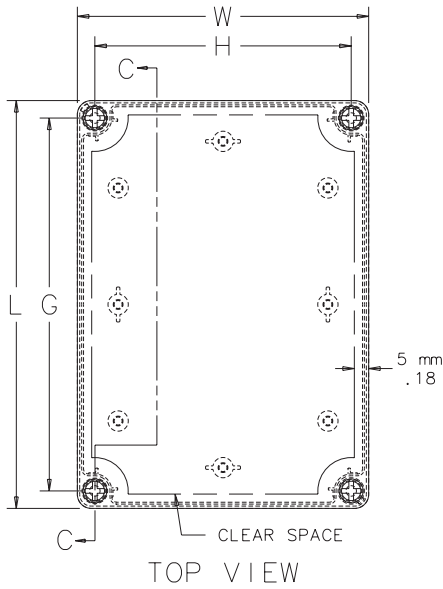
NEMA/EEMAC Type 4, 4X, 12, 13
 IEC 60529, IP66

Standard Product

Catalog Number	External Dimensions		Internal Dimensions		Panel	Panel Size		Mounting							
	AxBxC mm/in.	L x W mm/in.	A x B x C mm/in.	D x E mm/in.		G x H mm/in.	F mm/in.	K mm/in.	P mm/in.	Q mm/in.	S mm/in.	T mm/in.	W mm/in.	X mm/in.	
Q1388PCEMC	125 x 75 x 74	125 x 75	119 x 69 x 67	Q138PE	98 x 48	110 x 60	61	25	40	75	90	—	—	—	
	4.90 x 3.00 x 2.90	4.92 x 2.95	4.67 x 2.70 x 2.65	Q1313PE	3.86 x 1.89	4.33 x 2.36	2.38	0.98	1.57	2.95	3.54	—	—	—	
Q13138PCEMC	125 x 125 x 74	125 x 125	119x 119 x 67	Q1313PE	98 x 98	110 x 110	61	25	90	75	90	—	23	—	
	4.90 x 4.90 x 2.90	4.92 x 4.92	4.67 x 4.67 x 2.65	Q1313PE	3.86 x 3.86	4.33 x 4.33	2.38	0.98	3.54	2.95	3.54	—	0.89	—	
Q131310PCEMC	125 x 125 x 99	125 x 125	119 x 119 x 92	Q1313PE	98 x 98	110 x 110	86	25	90	75	90	—	23	—	
	4.90 x 4.90 x 3.90	4.92 x 4.92	4.67 x 4.67 x 3.64	Q1813PE	3.86 x 3.86	4.33 x 4.33	3.37	0.98	3.54	2.95	3.54	—	0.89	—	
Q18138PCEMC	175 x 125 x 74	175 x 125	169 x 119 x 67	Q1813PE	148 x 98	160 x 110	61	25	90	100	140	15	23	—	
	6.90 x 4.90 x 2.90	6.89 x 4.92	6.63 x 4.67 x 2.65	Q1813PE	5.83 x 3.86	6.30 x 4.33	2.38	0.98	3.54	3.94	5.51	0.59	0.89	—	
Q181310PCEMC	175 x 125 x 99	175 x 125	169 x 119 x 92	Q1813PE	148 x 98	160 x 110	86	50	90	100	140	15	23	—	
	6.90 x 4.90 x 3.90	6.89 x 4.92	6.63 x 4.67 x 3.64	Q1818PE	5.83 x 3.86	6.30 x 4.33	3.37	1.97	3.54	3.94	5.51	0.59	0.89	—	
Q18188PCEMC	175 x 175 x 74	175 x 175	169 x 169 x 67	Q1818PE	148 x 148	160 x 160	61	25	140	125	140	—	15	35	
	6.90 x 6.90 x 2.90	6.89 x 6.89	6.63 x 6.63 x 2.65		5.83 x 5.83	6.30 x 6.30	2.38	0.98	5.51	4.92	5.51	—	0.59	1.38	

Purchase panels separately.

QLINE® E



QLINE® I

QLINE® I, Type 4X



Industry Standards

Polycarbonate Enclosure

UL 508A Listed; Type 4, 4X, 12, 13; File No. E61997 cUL Listed per CSA C22.2 No 94; Type 4, 4X, 12, 13; File No. E61997 Enclosure flammability evaluated per UL 508A
--

NEMA/EEMAC Type 4, 4X, 12, 13
 CSA File No. 42186: Type 4, 4X, 12, 13
 IEC 60529, IP66

ABS Enclosure

NEMA/EEMAC Type 4, 4X, 12, 13
 IEC 60529, IP66

Application

The largest-sized QLINE® enclosure, QLINE I provides easy access and protects larger controls from corrosive environments. Choose from screw cover, hinge, internal mounting, variable depth and quick-release latch options to meet your design and security requirements. The ABS series shares the same features and similar physical properties as the polycarbonate but is a more economical, non-UL rated alternative.

Specifications

- Body is impact-resistant polycarbonate for PCI series and ABS for ABI series
- Opaque and clear covers are impact-resistant polycarbonate for PCI; opaque covers are ABS for ABI series
- Polycarbonate and ABS material is easily punched, drilled, filed or sawed
- Mounting holes molded directly under cover screws
- Molded internal pads for mounting optional panels, rails and other components
- Molded internal rails for mounting adjustable-depth panel kit
- Screws provided for mounting optional panel
- Optional extension rings are molded polycarbonate
- Cover includes a molded-in hole for wire lead
- Seamless foam-in-place gasket assures water-tight and dust-tight seal
- Material is halogen free

Screw Cover Enclosures have easy-to-remove covers attached to body with strong, durable polyamide cross-point cover screws.

Enclosures with Quick-Release Latches have polycarbonate hinges and polyester latches with a padlock provision.

Finish

Polycarbonate and ABS enclosure material is RAL 7035 light-gray inside and out. Optional panels are plated steel.

Accessories

See also *Accessories*.

Brass Insert Kit
 Cover Screw Kit
 Extension Rings
 Hardware Kit
 H2OMIT® Vent Drains, Type 4X
 Hinge Kit
 HOL-SEALERS™ Non-Metallic Hole Seals
 Mounting Bracket Kit
 Panel Depth Fitting

Modification and Customization

Hoffman excels at modifying and customizing products to your specifications. Contact your local Hoffman sales office or distributor for complete information.

Bulletin: Q41

QLINE® I

Catalog Number	Ax B x C mm/in.	Cover Style	Cover Fastener	External Dim's		Panel Size		Extension Ring	Mounting								
				L x W mm/in.	Panel	D x E mm/in.	G x H mm/in.		F mm/in.	P mm/in.	Q mm/in.	R mm/in.	S mm/in.	T mm/in.	U mm/in.	Y mm/in.	Z mm/in.
Q403013PCIQRCCR	388 x 288 x 123	Clear	QR	400 x 300	Q4030PI	360 x 260	—	380 x 280	115	250	350	240	340	220	310	200	300
	15.28 x 11.34 x 4.84		Latch	15.75 x 11.81	14.17 x 10.24	14.96 x 11.02	4.53	9.84	13.78	9.45	13.39	8.66	12.20	7.87	11.81		
Q603013PCIQR	588 x 288 x 123	Opaque	QR	600 x 300	Q6030PI	560 x 260	—	580 x 280	115	250	550	240	540	220	510	200	500
	23.15 x 11.34 x 4.84		Latch	23.62 x 11.81	22.05 x 10.24	22.83 x 11.02	4.53	9.84	21.65	9.45	21.26	8.66	20.08	7.87	19.69		
Q603013PCIQRCCR	588 x 288 x 123	Clear	QR	600 x 300	Q6030PI	560 x 260	—	580 x 280	115	250	550	240	540	220	510	200	500
	23.15 x 11.34 x 4.84		Latch	23.62 x 11.81	22.05 x 10.24	22.83 x 11.02	4.53	9.84	21.65	9.45	21.26	8.66	20.08	7.87	19.69		
Q604013PCIQR	588 x 388 x 123	Opaque	QR	600 x 400	Q6040PI	560 x 360	—	580 x 380	115	350	550	340	540	320	510	300	500
	23.15 x 15.28 x 4.84		Latch	23.62 x 15.75	22.05 x 14.17	22.83 x 14.96	4.53	13.78	21.65	13.39	21.26	12.60	20.08	11.81	19.69		
Q604013PCIQRCCR	588 x 388 x 123	Clear	QR	600 x 400	Q6040PI	560 x 360	—	580 x 380	115	350	550	340	540	320	510	300	500
	23.15 x 15.28 x 4.84		Latch	23.62 x 15.75	22.05 x 14.17	22.83 x 14.96	4.53	13.78	21.65	13.39	21.26	12.60	20.08	11.81	19.69		
Q202018PCIQR	188 x 188 x 173	Opaque	QR	200 x 200	Q2020PI	160 x 160	—	180 x 180	115	150	150	140	140	120	110	100	100
	7.40 x 7.40 x 6.81		Latch	7.87 x 7.87	6.30 x 6.30	7.09 x 7.09	6.50	5.91	5.91	5.51	5.51	4.72	4.33	3.94	3.94		
Q202018PCIQRCCR	188 x 188 x 173	Clear	QR	200 x 200	Q2020PI	160 x 160	—	180 x 180	165	150	150	140	140	120	110	100	100
	7.40 x 7.40 x 6.81		Latch	7.87 x 7.87	6.30 x 6.30	7.09 x 7.09	6.50	5.91	5.91	5.51	5.51	4.72	4.33	3.94	3.94		
Q302018PCIQR	288 x 188 x 173	Opaque	QR	300 x 200	Q3020PI	260 x 160	—	280 x 180	165	150	250	140	240	120	110	100	200
	11.34 x 7.40 x 6.81		Latch	11.81 x 7.87	10.24 x 6.30	11.02 x 7.09	6.50	5.91	9.84	5.51	9.45	4.72	4.33	3.94	7.87		
Q302018PCIQRCCR	288 x 188 x 173	Clear	QR	300 x 200	Q3020PI	260 x 160	—	280 x 180	165	150	250	140	240	120	110	100	200
	11.34 x 7.40 x 6.81		Latch	11.81 x 7.87	10.24 x 6.30	11.02 x 7.09	6.50	5.91	9.84	5.51	9.45	4.72	4.33	3.94	7.87		
Q402018PCIQR	388 x 188 x 173	Opaque	QR	400 x 200	Q4020PI	360 x 160	—	380 x 180	165	150	350	140	340	120	310	100	300
	15.28 x 7.40 x 6.81		Latch	15.75 x 7.87	14.17 x 6.30	14.96 x 7.09	6.50	5.91	13.78	5.51	13.39	4.72	12.20	3.94	11.81		
Q402018PCIQRCCR	388 x 188 x 173	Clear	QR	400 x 200	Q4020PI	360 x 160	—	380 x 180	165	150	350	140	340	120	310	100	300
	15.28 x 7.40 x 6.81		Latch	15.75 x 7.87	14.17 x 6.30	14.96 x 7.09	6.50	5.91	13.78	5.51	13.39	4.72	12.20	3.94	11.81		
Q303018PCIQR	288 x 288 x 173	Opaque	QR	300 x 300	Q3030PI	260 x 260	—	280 x 280	165	250	250	240	240	220	210	200	200
	11.34 x 11.34 x 6.81		Latch	11.81 x 11.81	10.24 x 10.24	11.02 x 11.02	6.50	9.84	9.84	9.45	9.45	8.66	8.27	7.87	7.87		
Q303018PCIQRCCR	288 x 288 x 173	Clear	QR	300 x 300	Q3030PI	260 x 260	—	280 x 280	165	250	250	240	240	220	210	200	200
	11.34 x 11.34 x 6.81		Latch	11.81 x 11.81	10.24 x 10.24	11.02 x 11.02	6.50	9.84	9.84	9.45	9.45	8.66	8.27	7.87	7.87		
Q403018PCIQR	388 x 288 x 173	Opaque	QR	400 x 300	Q4030PI	360 x 260	—	380 x 280	165	250	350	240	340	220	310	200	300
	15.28 x 11.34 x 6.81		Latch	15.75 x 11.81	14.17 x 10.24	14.96 x 11.02	6.50	9.84	13.78	9.45	13.39	8.66	12.20	7.87	11.81		
Q403018PCIQRCCR	388 x 288 x 173	Clear	QR	400 x 300	Q4030PI	360 x 260	—	380 x 280	165	250	350	240	340	220	310	200	300
	15.28 x 11.34 x 6.81		Latch	15.75 x 11.81	14.17 x 10.24	14.96 x 11.02	6.50	9.84	13.78	9.45	13.39	8.66	12.20	7.87	11.81		
Q603018PCIQR	588 x 288 x 173	Opaque	QR	600 x 300	Q6030PI	560 x 260	—	580 x 280	165	250	550	240	540	220	510	200	500
	23.15 x 11.34 x 6.81		Latch	23.62 x 11.81	22.05 x 10.24	22.83 x 11.02	6.50	9.84	21.65	9.45	21.25	8.66	20.08	7.87	19.69		
Q603018PCIQRCCR	588 x 288 x 173	Clear	QR	600 x 300	Q6030PI	560 x 260	—	580 x 280	165	250	550	240	540	220	510	200	500
	23.15 x 11.37 x 6.81		Latch	23.62 x 11.81	22.05 x 10.24	22.83 x 11.02	6.50	9.84	21.65	9.45	21.26	8.66	20.08	7.87	19.69		
Q604018PCIQR	588 x 388 x 173	Opaque	QR	600 x 400	Q6040PI	560 x 360	—	580 x 380	165	350	550	340	540	320	510	300	500
	23.15 x 15.28 x 6.81		Latch	23.62 x 15.75	22.05 x 14.17	22.83 x 14.96	6.50	13.78	21.65	13.39	21.28	12.60	20.08	11.81	19.69		
Q604018PCIQRCCR	588 x 388 x 173	Clear	QR	600 x 400	Q6040PI	560 x 360	—	580 x 380	165	350	550	340	540	320	510	300	500
	23.15 x 15.28 x 6.81		Latch	23.62 x 15.75	22.05 x 14.17	22.83 x 14.96	6.50	13.78	21.65	13.39	21.26	12.60	20.08	11.81	19.69		

A x B x C are internal dimensions.

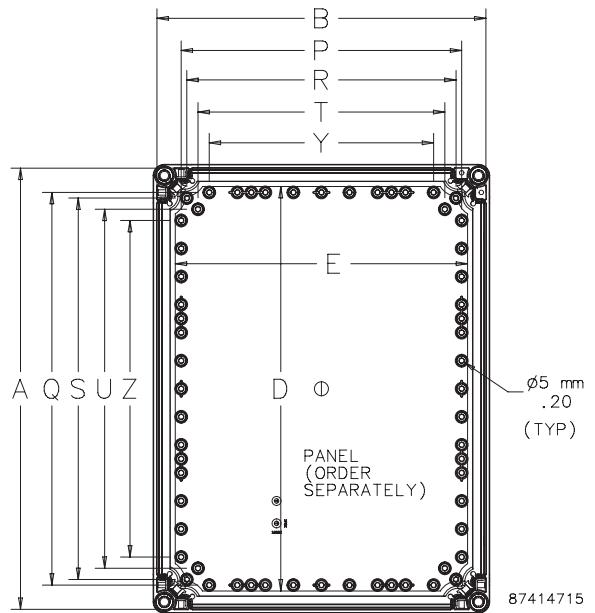
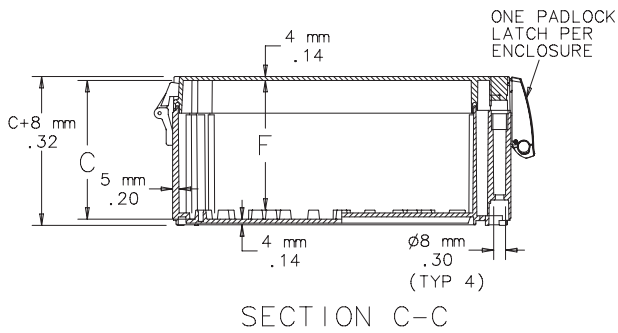
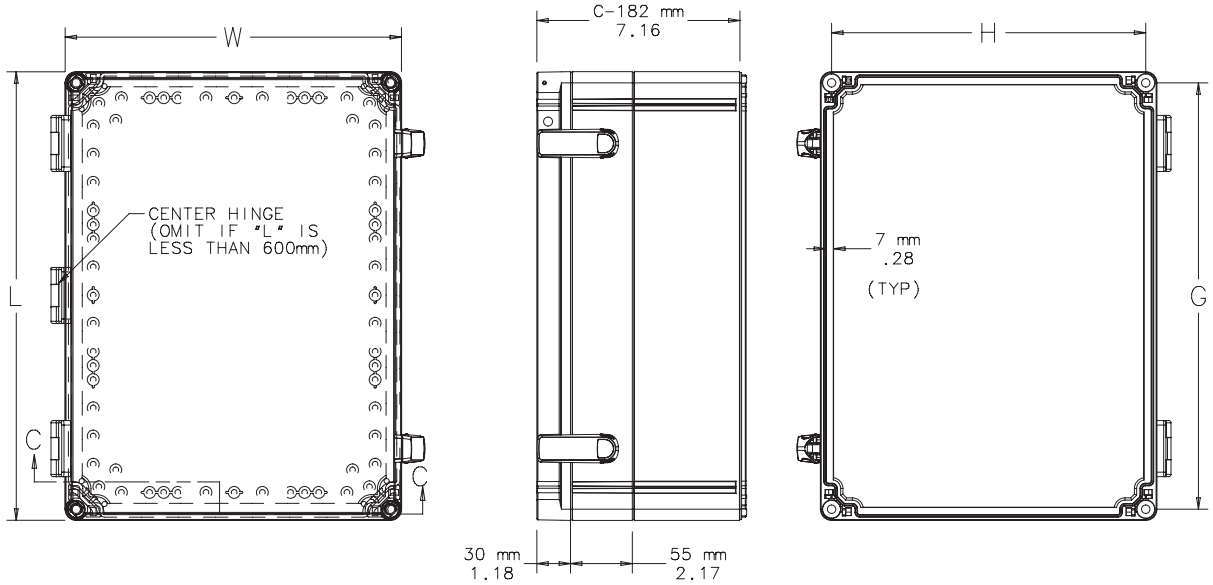
Purchase panels and extension rings separately.

QLINE® I
Standard Product ABS, Screw Cover

Catalog Number	Ax B x C mm/in.	Cover Style	External Dim's	Panel	Panel Size	Extension Ring	Mounting									
			L x W mm/in.		D x E mm/in.		G x H mm/in.	F mm/in.	P mm/in.	Q mm/in.	R mm/in.	S mm/in.	T mm/in.	U mm/in.	Y mm/in.	Z mm/in.
Q202013ABI	188 x 188 x 123	Opaque	200 x 200	Q2020PI	160 x 160	Q2020EXTI	180 x 180	115	150	150	140	140	120	110	100	100
	7.40 x 7.40 x 4.84		7.87 x 7.87		6.30 x 6.30		7.09 x 7.09	4.53	5.91	5.91	5.51	5.51	4.72	4.33	3.94	3.94
Q202013ABICC	188 x 188 x 123	Clear	200 x 200	Q2020PI	160 x 160	Q2020EXTI	180 x 180	115	150	150	140	140	120	110	100	100
	7.40 x 7.40 x 4.84		7.87 x 7.87		6.30 x 6.30		7.09 x 7.09	4.53	5.91	5.91	5.51	5.51	4.72	4.33	3.94	3.94
Q302013ABI	288 x 188 x 123	Opaque	300 x 200	Q3020PI	260 x 160	Q3020EXTI	280 x 180	115	150	250	140	240	120	210	100	200
	11.34 x 7.40 x 4.84		11.81 x 7.87		10.24 x 6.30		11.02 x 7.09	4.53	5.91	9.84	5.51	9.45	4.72	8.27	3.94	7.87
Q302013ABICC	288 x 188 x 123	Clear	300 x 200	Q3020PI	260 x 160	Q3020EXTI	280 x 180	115	150	250	140	240	120	210	100	200
	11.34 x 7.40 x 4.84		11.81 x 7.87		10.24 x 6.30		11.02 x 7.09	4.53	5.91	9.84	5.51	9.45	4.72	8.27	3.94	7.87
Q402013ABI	388 x 188 x 123	Opaque	400 x 200	Q4020PI	360 x 160	Q4020EXTI	380 x 180	115	150	350	140	340	120	310	100	300
	15.28 x 7.40 x 4.84		15.75 x 7.87		14.17 x 6.30		14.96 x 7.09	4.53	5.91	13.78	5.51	13.39	4.72	12.20	3.94	11.81
Q402013ABICC	388 x 188 x 123	Clear	400 x 200	Q4020PI	360 x 160	Q4020EXTI	380 x 180	115	150	350	140	340	120	310	100	300
	15.28 x 7.40 x 4.84		15.75 x 7.87		14.17 x 6.30		14.96 x 7.09	4.53	5.91	13.78	5.51	13.39	4.72	12.20	3.94	11.81
Q303013ABI	288 x 288 x 123	Opaque	300 x 300	Q3030PI	260 x 260	Q3030EXTI	280 x 280	115	250	250	240	240	220	210	200	200
	11.34 x 11.34 x 4.84		11.81 x 11.81		10.24 x 10.24		11.02 x 11.02	4.53	9.84	9.84	9.45	9.45	8.66	8.27	7.87	7.87
Q303013ABICC	288 x 288 x 123	Clear	300 x 300	Q3030PI	260 x 260	Q3030EXTI	280 x 280	115	250	250	240	240	220	210	200	200
	11.34 x 11.34 x 4.84		11.81 x 11.81		10.24 x 10.24		11.02 x 11.02	4.53	9.84	9.84	9.45	9.45	8.66	8.27	7.87	7.87
Q403013ABI	388 x 288 x 123	Opaque	400 x 300	Q4030PI	360 x 260	Q4030EXTI	380 x 280	115	250	350	240	240	220	310	200	300
	15.28 x 11.34 x 4.84		15.75 x 11.81		14.17 x 10.24		14.96 x 11.02	4.53	9.84	13.78	9.45	13.39	8.66	12.20	7.87	11.81
Q403013ABICC	388 x 288 x 123	Clear	400 x 300	Q4030PI	360 x 260	Q4030EXTI	380 x 280	115	250	350	240	240	220	310	200	300
	15.28 x 11.34 x 4.84		15.75 x 11.81		14.17 x 10.24		14.96 x 11.02	4.53	9.84	13.78	9.45	13.39	8.66	12.20	7.87	11.81
Q603013ABI	588 x 288 x 123	Opaque	600 x 300	Q6030PI	560 x 260	Q6030EXTI	580 x 280	115	250	550	240	540	220	510	200	300
	23.15 x 11.34 x 4.84		23.62 x 11.81		22.05 x 10.24		22.83 x 11.02	4.53	9.84	21.65	9.45	21.26	8.66	20.08	7.87	11.81
Q603013ABICC	588 x 288 x 123	Clear	600 x 300	Q6030PI	560 x 260	Q6030EXTI	580 x 280	115	250	550	240	540	220	510	200	300
	23.15 x 11.34 x 4.84		23.62 x 11.81		22.05 x 10.24		22.83 x 11.02	4.53	9.84	21.65	9.45	21.26	8.66	20.08	7.87	11.81
Q604013ABI	588 x 388 x 123	Opaque	600 x 400	Q6040PI	560 x 360	Q6040EXTI	580 x 380	115	350	550	340	540	320	510	300	500
	23.15 x 15.28 x 4.84		23.62 x 15.75		22.05 x 14.17		22.83 x 14.96	4.53	13.78	21.65	13.39	21.26	12.60	20.08	11.81	19.69
Q604013ABICC	588 x 388 x 123	Clear	600 x 400	Q6040PI	560 x 360	Q6040EXTI	580 x 380	115	350	550	340	540	320	510	300	500
	23.15 x 15.28 x 4.84		23.62 x 15.75		22.05 x 14.17		22.83 x 14.96	4.53	13.78	21.65	13.39	21.26	12.60	20.08	11.81	19.69
Q202018ABI	188 x 188 x 173	Opaque	200 x 200	Q2020PI	160 x 160	Q2020EXTI	180 x 180	165	150	150	140	140	120	110	100	100
	7.40 x 7.40 x 6.81		7.87 x 7.87		6.30 x 6.30		7.09 x 7.09	6.50	5.91	5.91	5.51	5.51	4.72	4.33	3.94	3.94
Q202018ABICC	188 x 188 x 173	Clear	200 x 200	Q2020PI	160 x 160	Q2020EXTI	180 x 180	165	150	150	140	140	120	110	100	100
	7.40 x 7.40 x 6.81		7.87 x 7.87		6.30 x 6.30		7.09 x 7.09	6.50	5.91	5.91	5.51	5.51	4.72	4.33	3.94	3.94
Q302018ABI	288 x 188 x 173	Opaque	300 x 200	Q3020PI	260 x 160	Q3020EXTI	280 x 180	165	150	250	140	240	120	110	100	200
	11.34 x 7.40 x 6.81		11.81 x 7.87		10.24 x 6.30		11.02 x 7.09	6.50	5.91	9.84	5.51	9.45	4.72	4.33	3.94	7.87
Q302018ABICC	288 x 188 x 173	Clear	300 x 200	Q3020PI	260 x 160	Q3020EXTI	280 x 180	165	150	250	140	240	120	110	100	200
	11.34 x 7.40 x 6.81		11.81 x 7.87		10.24 x 6.30		11.02 x 7.09	6.50	5.91	9.84	5.51	9.45	4.72	4.33	3.94	7.87
Q402018ABI	388 x 188 x 173	Opaque	400 x 200	Q4020PI	360 x 160	Q4020EXTI	380 x 180	165	150	350	140	340	120	310	100	300
	15.28 x 7.40 x 6.81		15.75 x 7.87		14.17 x 6.30		14.96 x 7.09	6.50	5.91	13.78	5.51	13.39	4.72	12.20	3.94	11.81
Q402018ABICC	388 x 188 x 173	Clear	400 x 200	Q4020PI	360 x 160	Q4020EXTI	380 x 180	165	150	350	140	340	120	310	100	300
	15.28 x 7.40 x 6.81		15.75 x 7.87		14.17 x 6.30		14.96 x 7.09	6.50	5.91	13.78	5.51	13.39	4.72	12.20	3.94	11.81
Q303018ABI	288 x 288 x 173	Opaque	300 x 300	Q3030PI	260 x 260	Q3030EXTI	280 x 280	165	250	250	240	240	220	210	200	200
	11.34 x 11.34 x 6.81		11.81 x 11.81		10.24 x 10.24		11.02 x 11.02	6.50	9.84	9.84	9.45	9.45	8.66	8.27	7.87	7.87
Q303018ABICC	288 x 288 x 173	Clear	300 x 300	Q3030PI	260 x 260	Q3030EXTI	280 x 280	165	250	250	240	240	220	210	200	200
	11.34 x 11.34 x 6.81		11.81 x 11.81		10.24 x 10.24		11.02 x 11.02	6.50	9.84	9.84	9.45	9.45	8.66	8.27	7.87	7.87
Q403018ABI	388 x 288 x 173	Opaque	400 x 300	Q4030PI	360 x 260	Q4030EXTI	380 x 280	165	250	350	240	240	220	310	200	300
	15.28 x 11.34 x 6.81		15.75 x 11.81		14.17 x 10.24		14.96 x 11.02	6.50	9.84	13.78	9.45	13.39	8.66	12.20	7.87	11.81
Q403018ABICC	388 x 288 x 173	Clear	400 x 300	Q4030PI	360 x 260	Q4030EXTI	380 x 280	165	250	350	240	240	220	310	200	300
	15.28 x 11.34 x 6.81		15.75 x 11.81		14.17 x 10.24		14.96 x 11.02	6.50	9.84	13.78	9.45	13.39	8.66	12.20	7.87	11.81
Q603018ABI	588 x 288 x 173	Opaque	600 x 300	Q6030PI	560 x 260	Q6030EXTI	580 x 280	165	250	550	240	540	220	510	200	500
	23.15 x 11.34 x 6.81		23.62 x 11.81		22.05 x 10.24		22.83 x 11.02	6.50	9.84	21.65	9.45	21.26	8.66	20.08	7.87	19.69
Q603018ABICC	588 x 288 x 173	Clear	600 x 300	Q6030PI	560 x 260	Q6030EXTI	580 x 280	165	250	550	240	540	220	510	200	500
	23.15 x 11.34 x 6.81		23.62 x 11.81		22.05 x 10.24		22.83 x 11.02	6.50	9.84	21.65	9.45	21.26	8.66	20.08	7.87	19.69
Q604018ABI	588 x 388 x 173	Opaque	600 x 400	Q6040PI	560 x 360	Q6040EXTI	580 x 380	165	350	550	340	540	320	510	300	500
	23.15 x 15.28 x 6.81		23.62 x 15.75		22.05 x 14.17		22.83 x 14.96	6.50	13.78	21.65	13.39	21.26	12.60	20.08	11.81	19.69
Q604018ABICC	588 x 388 x 173	Clear	600 x 400	Q6040PI	560 x 360	Q6040EXTI	580 x 380	165	350	550	340	540	320	510	300	500
	23.15 x 15.28 x 6.81		23.62 x 15.75		22.05 x 14.17		22.83 x 14.96	6.50	13.78	21.65	13.39	21.26	12.60	20.08	11.81	19.69

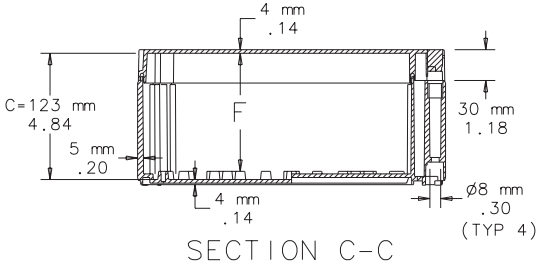
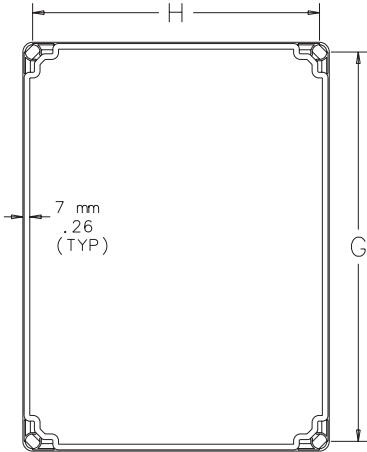
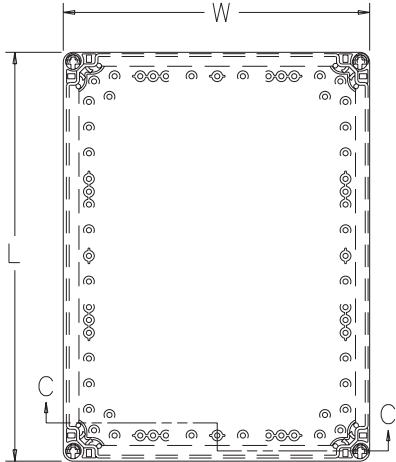
QLINE® I

QLINE I Polycarbonate and ABS Type 4X Enclosures with Quick-Release Latches Dimension Drawing

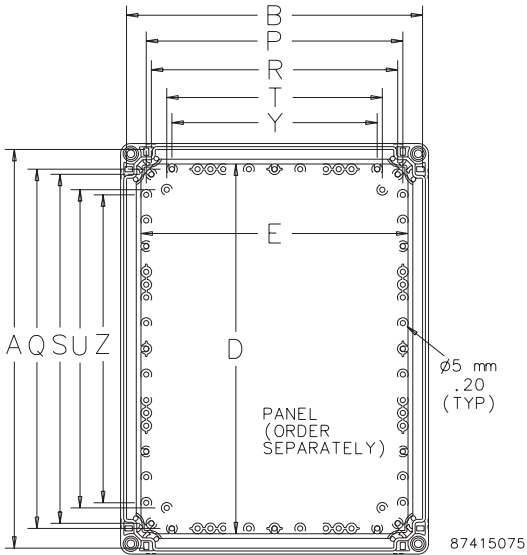
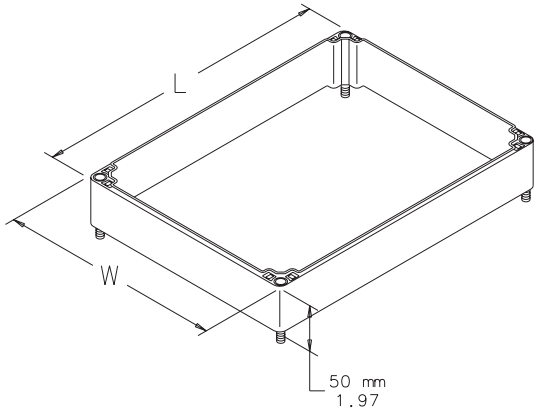


QLINE® I

QLINE I Polycarbonate and ABS Screw Cover Dimension Drawing

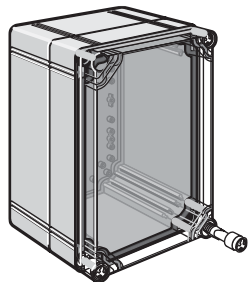


NOTE: Panel screws are M5 pan head.



QLINE® I

Cover Screw Kit

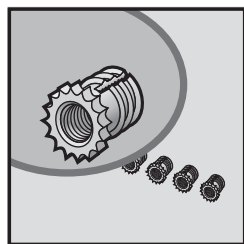


Screws are polyamide. Wing-head-style screws provide rapid access to enclosure interior without requiring special tools to open. Kit includes four polyamide cover screws and four self-tapping, plated panel screws. Tamper-resistant screws have molded 3-mm double-bit drive; kit includes four cover screws, one key and four self-tapping, plated panel screws. Use on all QLINE® I enclosures.

Bulletin: Q41Y

Catalog Number	Description
QIWHSK	wing-head screw
QITSK	3-mm tamper-resistant double-bit

Brass Insert Kit

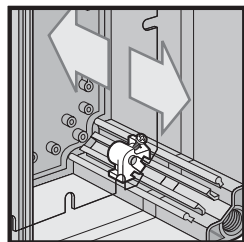


Four M5 self-tapping brass inserts screw into molded pads in bottom of enclosure. Inserts have M3 internal thread.

Bulletin: Q41Y

Catalog Number
QBIK

Panel Depth Fitting



Panel Depth Fitting attaches to corner molded rails of enclosure to facilitate full-range front-to-back panel adjustment. Package includes four polyamide fittings and plated screws. Use on all QLINE I enclosures.

Bulletin: Q41Y

Catalog Number
QIPDF

Swing Panel



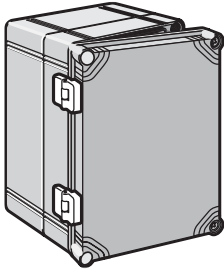
Adjustable-depth aluminum swing panels, for use in QLINE® I polycarbonate enclosures, provide a convenient way to install controls and instruments near enclosure body opening while providing access and security. Suitable applications include water, pulp and paper, petroleum and chemical processing, food, packaging and pharmaceutical applications.

Bulletin: Q41Y

Catalog Number	Panel Size D x E mm/in.	Fits Enclosure Size A x B mm/in.	Hinged Side of Enclosure
QIHFP22A	186 x 180 7.32 x 7.09	200 x 200 7.87 x 7.87	200
QIHFP23A	186 x 280 7.32 x 11.02	300 x 200 11.81 x 7.87	200
QIHFP32A	286 x 180 11.26 x 7.09	300 x 200 11.81 x 7.87	300
QIHFP42A	386 x 180 15.20 x 7.09	400 x 200 15.75 x 7.87	400
QIHFP33A	286 x 280 11.26 x 11.02	300 x 300 11.81 x 11.81	300
QIHFP43A	386 x 280 15.20 x 11.02	400 x 300 15.75 x 11.81	400
QIHFP63A	586 x 280 23.07 x 11.02	600 x 300 23.62 x 11.81	600
QIHFP64A	586 x 380 23.07 x 14.96	600 x 400 23.62 x 15.75	600

QLINE® I

Hinge Kit



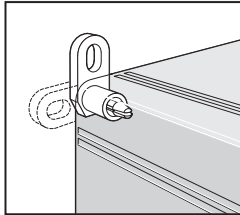
Hinge Kit includes two polyamide hinges, eight M4 self-tapping plated screws, eight flat washers and drilling template. Use on all QLINE® I enclosures.

Hinge Kit meets Type 4 requirements. Three hinges required for 600-mm sides.

Bulletin: Q41Y

Catalog Number
QIHK

Mounting Bracket Kit

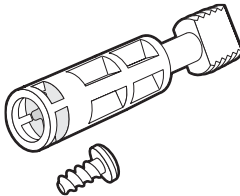


Mounting Bracket Kit has four polycarbonate brackets and four M3 self-tapping, plated screws. Kit is field-installable. Use on all QLINE® I Enclosures. Maintains listed ratings for enclosure.

Bulletin: Q41Y

Catalog Number
QIMFK

Hardware Kit

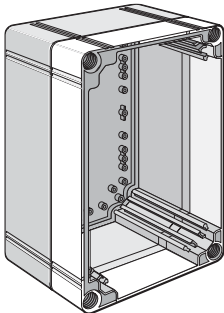


Hardware Kit includes four polyamide cover screws and four self-tapping, plated panel screws. This kit is offered as a replacement kit for lost or damaged hardware originally furnished with the enclosure.

Bulletin: Q41Y

Catalog Number	Description
QIHK424	42-mm screws

Extension Rings

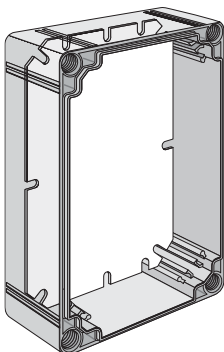


Extension rings can be added to QLINE® I enclosures to provide additional 50-mm to enclosure depth. Extension rings are polycarbonate and cannot be used with quick-release latches.

Bulletin: Q41Y

Catalog Number
Q2020EXTI
Q3020EXTI
Q3030EXTI
Q4020EXTI
Q4030EXTI
Q6030EXTI
Q6040EXTI

Panels



Bulletin: Q41Y

Catalog Number	Panel Size D x E (mm)	Panel Size D x E (in.)
Q2020PI	160 x 160	6.30 x 6.30
Q3020PI	260 x 160	10.24 x 6.30
Q3030PI	260 x 260	10.24 x 10.24
Q4020PI	360 x 160	14.17 x 6.30
Q4030PI	360 x 260	14.17 x 10.24
Q6030PI	560 x 360	22.05 x 10.24
Q6040PI	260 x 260	22.05 x 14.17

QLINE® I

QLINE® I, EMC, Type 4X



Industry Standards

UL 508A Listed; Type 4, 4X, 12, 13; File No. E61997
 cUL Listed per CSA C22.2 No 94; Type 4, 4X, 12, 13; File No. E61997
 Enclosure flammability evaluated per UL 508A

NEMA/EEMAC Type 4, 4X, 12, 13
 IEC 60529, IP66

Application

The largest-size enclosures in the QLINE® EMC series, the screw-cover QLINE I protects larger controls from electromagnetic interference in corrosive environments.

Specifications

- Body is impact-resistant polycarbonate
- Polycarbonate material is easily punched, drilled, filed or sawed
- EMC coating in base and cover
- Gasket of silver/silicone
- Mounting holes molded directly under cover screws
- Molded internal pads for mounting optional panels, rails and other components
- Molded internal rails for mounting adjustable depth panel kit
- Screws provided for mounting optional panel
- Easily removable covers attached to body with strong, durable polyamide cross-point cover screws

Finish

Enclosure material is RAL 7035 light gray outside. Optional panels are conductive steel.

Bulletin: Q41EM

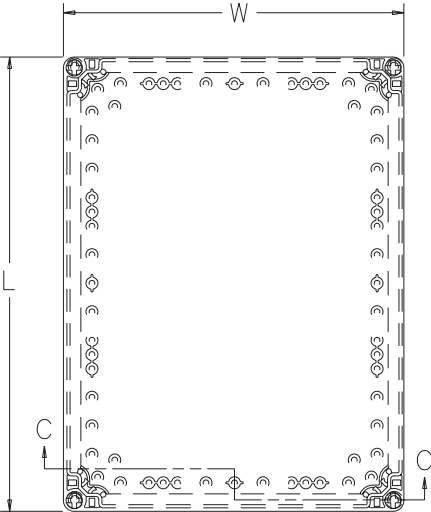
Standard Product

Catalog Number	External Dimensions		Internal Dimensions		Panel	Panel Size		Mounting							
	A x B x C mm/in.	L x W mm/in.	A x B x C mm/in.	D x E mm/in.		D x E mm/in.	G x H mm/in.	F mm/in.	P mm/in.	Q mm/in.	R mm/in.	S mm/in.	T mm/in.	U mm/in.	Y mm/in.
Q202013PCEMC	200 x 200 x 123	200 x 200	188 x 188	Q2020PI	160 x 160	180 x 180	115	150	150	140	140	120	110	100	100
	7.90 x 7.90 x 4.80	7.87 x 7.87	7.40 x 7.40		6.30 x 6.30	7.09 x 7.09	4.53	5.91	5.91	5.51	5.51	4.72	4.33	3.94	3.94
Q302013PCEMC	300 x 200 x 123	300 x 200	288 x 188	Q3020PI	260 x 160	280 x 180	115	150	250	140	240	120	210	100	200
	11.80 x 7.90 x 4.80	11.81 x 7.87	11.34 x 7.40		10.24 x 6.30	11.02 x 7.09	4.53	5.91	9.84	5.51	9.45	4.72	8.27	3.94	7.87
Q402013PCEMC	400 x 200 x 123	400 x 200	388 x 188	Q4020PI	360 x 160	380 x 180	115	150	350	140	340	120	310	100	300
	15.70 x 7.90 x 4.80	15.75 x 7.87	15.28 x 7.40		14.17 x 6.30	14.96 x 7.09	4.53	5.91	13.78	5.51	13.39	4.72	12.20	3.94	11.81

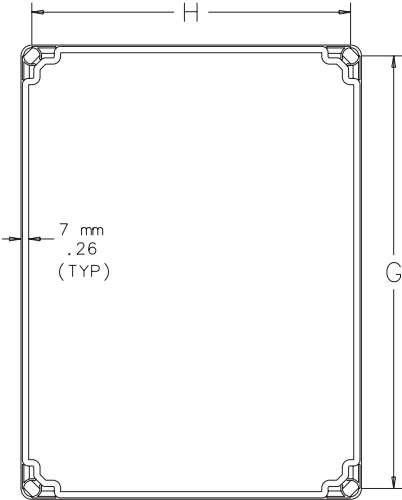
Purchase panels separately.

QLINE® I

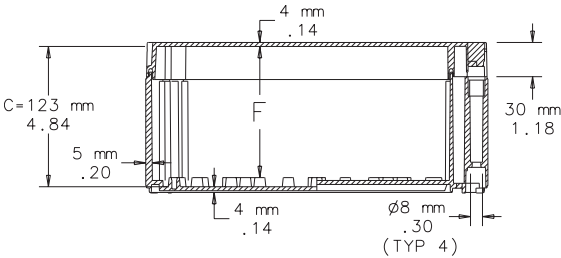
QLINE I Polycarbonate EMC Enclosures Dimension Drawing



TOP VIEW

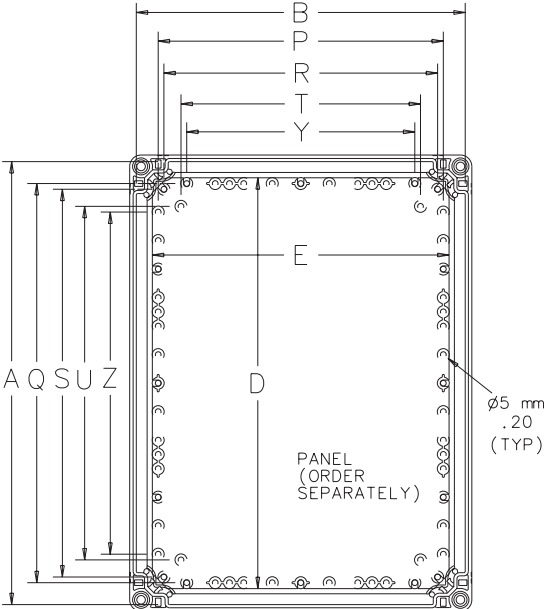


BOTTOM VIEW



SECTION C-C

Note: Panel screws are M5 pan head.



TOP VIEW WITH COVER REMOVED