

Specifications

GENERAL

H-STRUT General Fittings are designed to fit with all H-STRUT 1⁵/₈" wide channels. All H-STRUT fittings are manufactured from 1/4" thick carbon steel, 1⁵/₈" wide, all holes are 9/16" diameter, spaced 1⁷/₈" on center and 1³/₁₆" from the end.

The more popular fittings are illustrated on the following pages. However, there are hundreds of other fittings available. Please contact the factory for any other fittings you may need for specific applications.

ORDERING

Please specify catalog number and finish.

MATERIAL

H-STRUT fittings are manufactured from the following material:

Hot Rolled Steel Sheet	ASTM A-1011
Cold Rolled Steel Sheet	ASTM A-1008
Stainless Steel-Type 304/316	ASTM A-240
Aluminum Fitting	ASTM B-221

FINISHES

H-STRUT fittings are available in the following finishes: (See technical section for additional information)

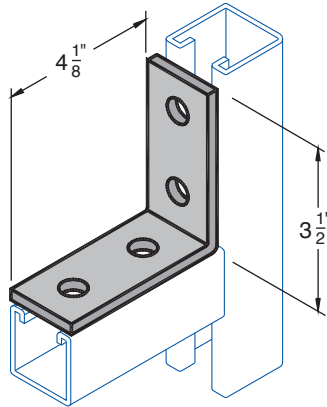
Electro Galvanized	ASTM B-633
Hot Dipped Galvanized	ASTM A-123
Zinc Trivalent Chromium	ASTM B-633-85
Powder Coated Supr-Green	ASTM B-117
PVC Coating - Available Upon Request	

ANGLE BRACKETS

A-311

Four Hole Angle

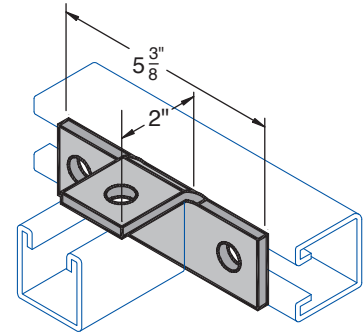
Wt. 78#/C



A-312

Four Hole 90°
T-Plate Angle

Wt. 77#/C

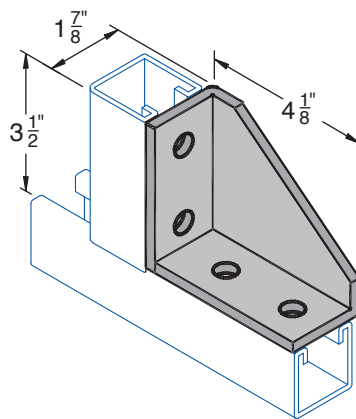


A-318-L (left hand)

A-318-R (right hand shown)

Shelf Bracket

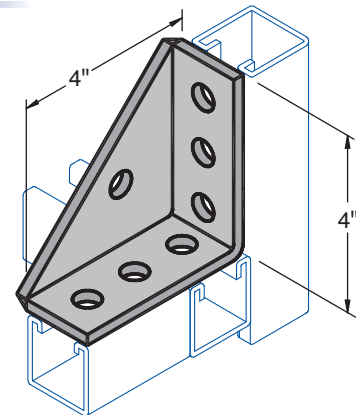
Wt. 138#/C



A-335

Universal Shelf
Bracket

Wt. 132#/C

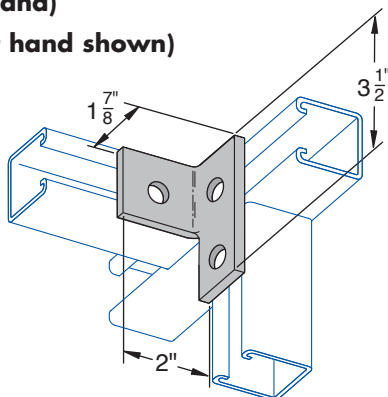


A-330-L (left hand)

A-330-R (right hand shown)

Three Hole
90° Angle

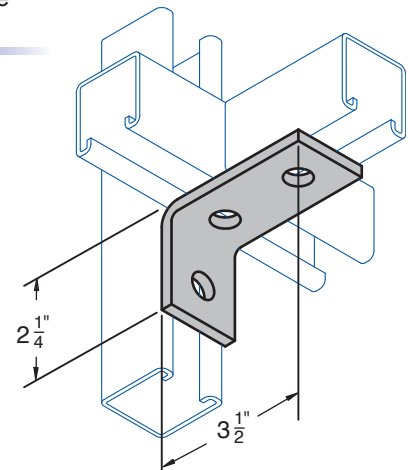
Wt. 54#/C



A-307

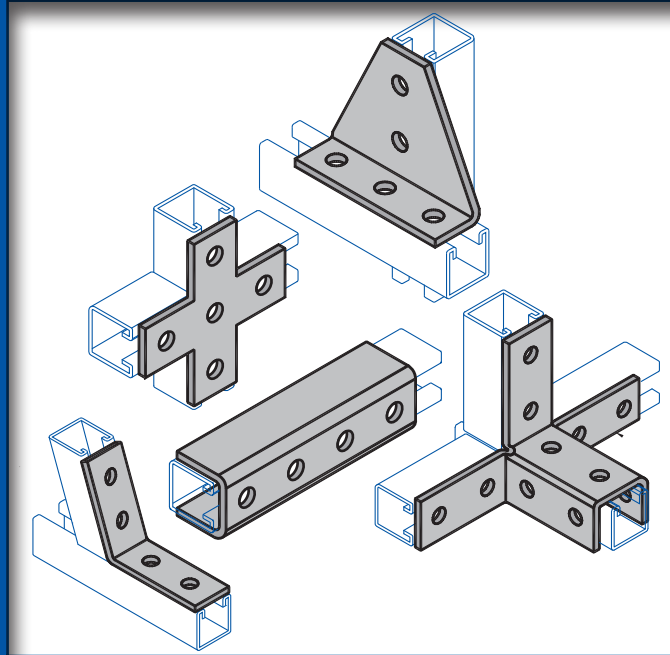
Three Hole Angle
Bracket

Wt. 57#/C



Page Notes: 1/4" thick, 1 5/8" wide, holes 9/16" dia.,
spaced 1 7/8" on center and 1 3/16" from end.

Finish: Electro-galvanized



Specifications

GENERAL

H-STRUT General Fittings are designed to fit with all H-STRUT 1⁵/₈" wide channels. All H-STRUT fittings are manufactured from 1/4" thick carbon steel, 1⁵/₈" wide, all holes are 9/16" diameter, spaced 1⁷/₈" on center and 1³/₁₆" from the end.

The more popular fittings are illustrated on the following pages. However, there are hundreds of other fittings available. Please contact the factory for any other fittings you may need for specific applications.

ORDERING

Please specify catalog number and finish.

MATERIAL

H-STRUT fittings are manufactured from the following material:

Hot Rolled Steel Sheet	ASTM A-1011
Cold Rolled Steel Sheet	ASTM A-1008
Stainless Steel-Type 304/316.	ASTM A-240
Aluminum Fitting.	ASTM B-221

FINISHES

H-STRUT fittings are available in the following finishes: (See technical section for additional information)

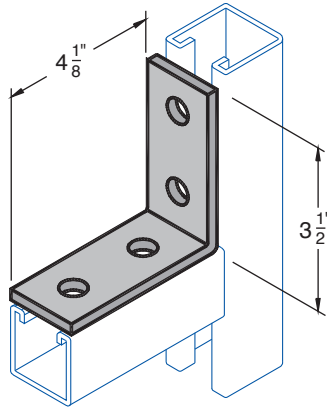
Electro Galvanized	ASTM B-633
Hot Dipped Galvanized	ASTM A-123
Zinc Trivalent Chromium	ASTM B-633-85
Powder Coated Supr-Green.	ASTM B-117
PVC Coating - Available Upon Request	

ANGLE BRACKETS

A-311

Four Hole Angle

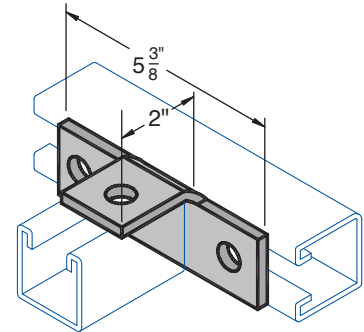
Wt. 78#/C



A-312

Four Hole 90°
T-Plate Angle

Wt. 77#/C

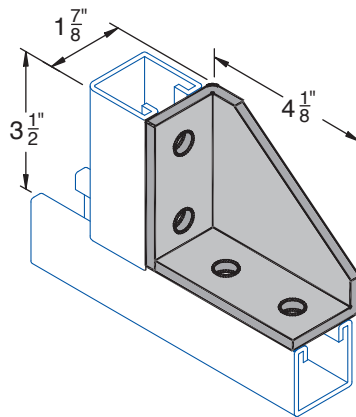


A-318-L (left hand)

A-318-R (right hand shown)

Shelf Bracket

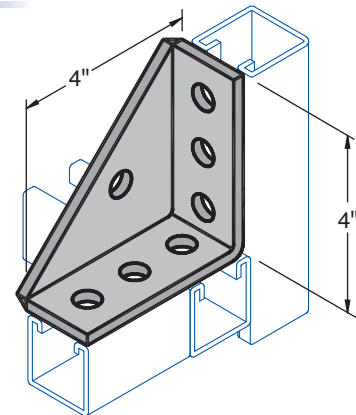
Wt. 138#/C



A-335

Universal Shelf
Bracket

Wt. 132#/C

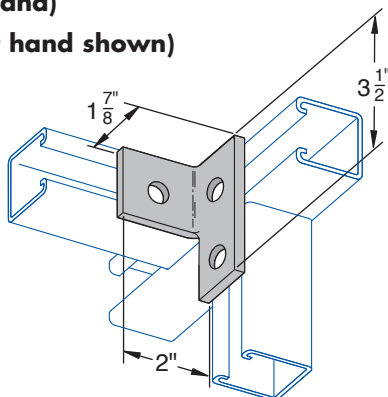


A-330-L (left hand)

A-330-R (right hand shown)

Three Hole
90° Angle

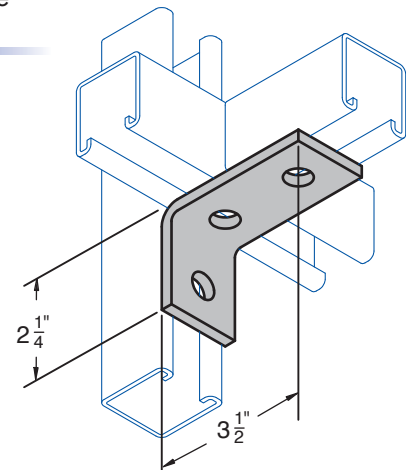
Wt. 54#/C



A-307

Three Hole Angle
Bracket

Wt. 57#/C



Page Notes: 1/4" thick, 1 5/8" wide, holes 9/16" dia., spaced 1 7/8" on center and 1 3/16" from end.

Finish: Electro-galvanized