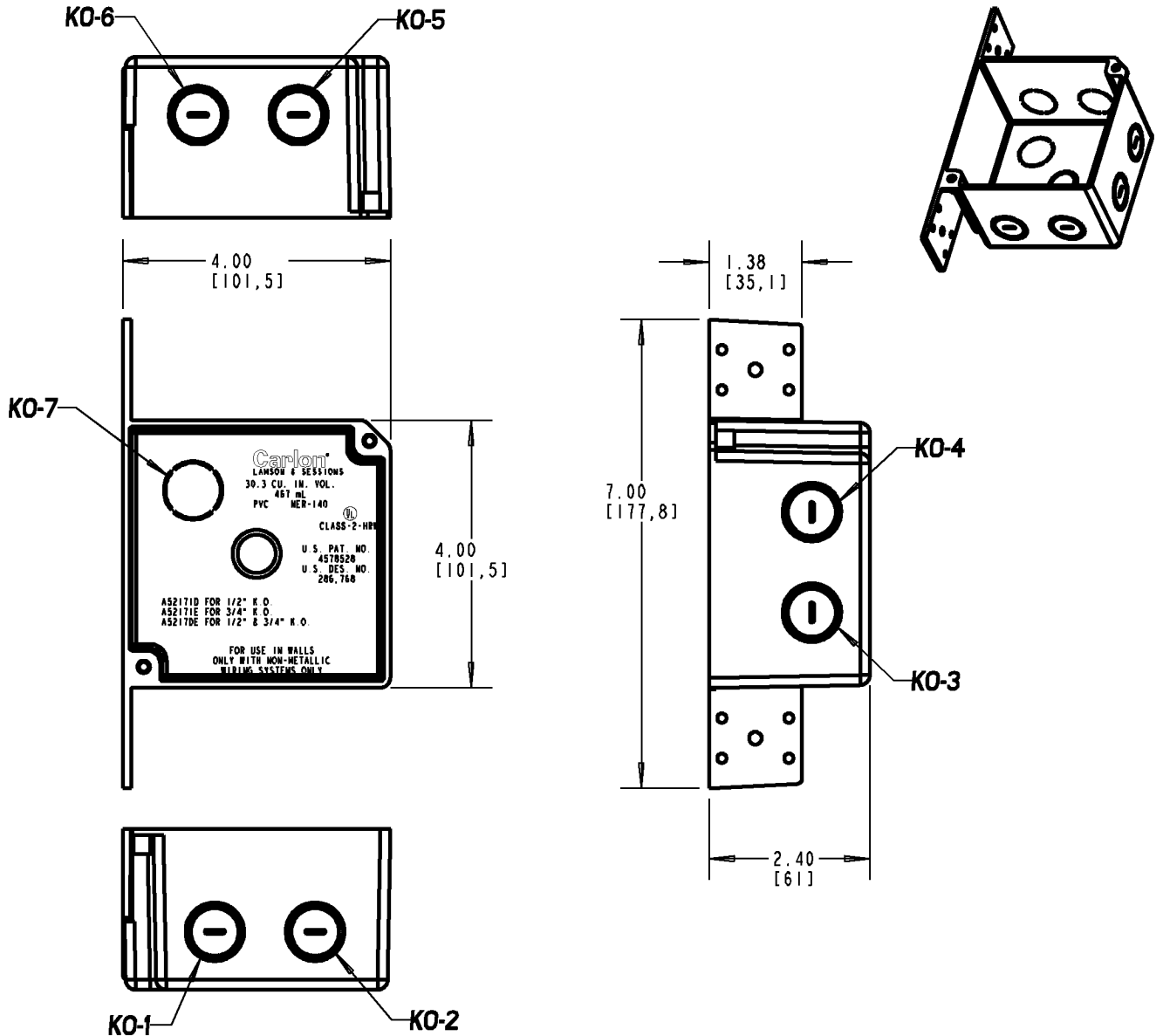




# Carlton®



SIZE	PART NO.	KO-1	KO-2	KO-3	KO-4	KO-5	KO-6	KO-7
1/2"	A52171D	∅ .88 [22.2]	∅ .88 [22.2]	∅ .88 [22.2]	∅ .88 [22.2]	∅ .88 [22.2]	∅ .88 [22.2]	∅ .88 [22.2]
3/4"	A52171E	∅ 1.11 [27.7]	∅ 1.11 [27.7]	∅ 1.11 [27.7]	∅ 1.11 [27.7]	∅ 1.11 [27.7]	∅ 1.11 [27.7]	∅ .88 [22.2]
1/2" & 3/4"	A5217DE A5217DE-CAR	∅ .88 [22.2]	∅ 1.11 [27.7]	∅ 1.11 [27.7]	∅ .88 [22.2]	∅ .88 [22.2]	∅ 1.11 [27.7]	∅ .88 [22.2]

## GENERAL NOTES

- ALL DIMENSIONS ARE FOR REFERENCE ONLY.
- DIMENSIONS IN BRACKETS [ ] ARE IN METRIC UNITS.

## REVISIONS

\*\*\* SEE ERN (\*\*\*\*) FOR APPROVAL SIGNATURES & RELEASE DATE.  
PROJECT NO: \*\*\*\*

**Thomas & Betts**  
www.tnb.com

DESCRIPTION:

**4" SQ. DEEP BOX  
W/KNOCKOUTS**

ORIGINAL PROJECT NO / ( ERN NO )

/ ( )

SHEET NO:

1 OF 1

REV. NO:

A

DRAWING NO:

WSD-AC04139