

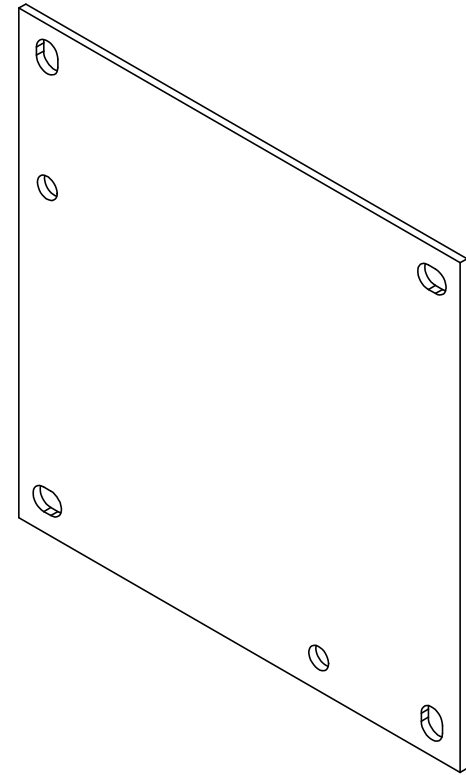
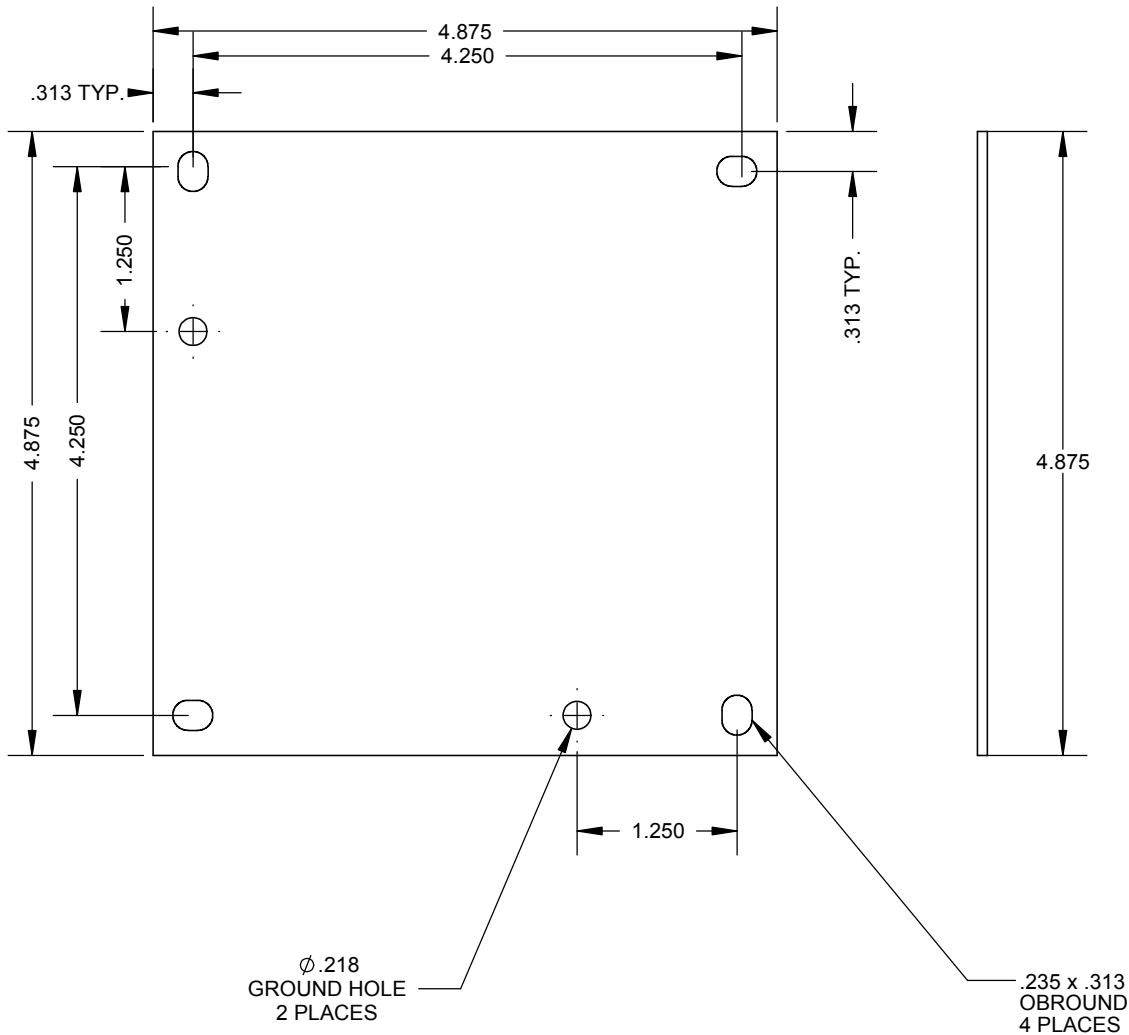


Catalog Number: A-66SBP
Item Description: STEEL PANELS
UPC Code: 784572174122

Brand Name: Milbank
Type: Panel for Mounting Electronic Controls
Application: Enclosure Accessory
Material: Steel
Shape: Square
Color: White
Mounting: Stud Mount


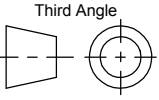


Utility requirements may vary. Always consult the serving utility for their requirements prior to ordering or installing this equipment. This product must always be installed by a licensed electrician. Installation of this equipment may require local electrical inspector approval.



$\phi .218$
GROUND HOLE
2 PLACES

.235 x .313
OBROUND
4 PLACES

| | | | | |
|--|-------------------|--|---|----------------------------|
| Material: | 14 GA. GALV STEEL | |  MILBANK ENERGY AT WORK General Offices: Kansas City, MO | |
| Finish: | PAINTED WHITE | | | |
| Tolerances: Unless Specified Otherwise X.X ±.1 X.XX ±.03 X.XXX ±.015 X° ±2° | | Third Angle  | Title: | BACK PANEL 6 x 6 |
| | | Projection | Catalog No.: | A-66SBP |
| | | | Ref: | |
| | | | Drawing No.: | 1012359 |
| ** | 6/10/14 | FIRST RELEASE | AJS | |
| Scale: | NTS | Checked By: | | |
| Drawn By: | AJS | Approved By: | | Date: 6/10/14 Sheet 1 of 1 |

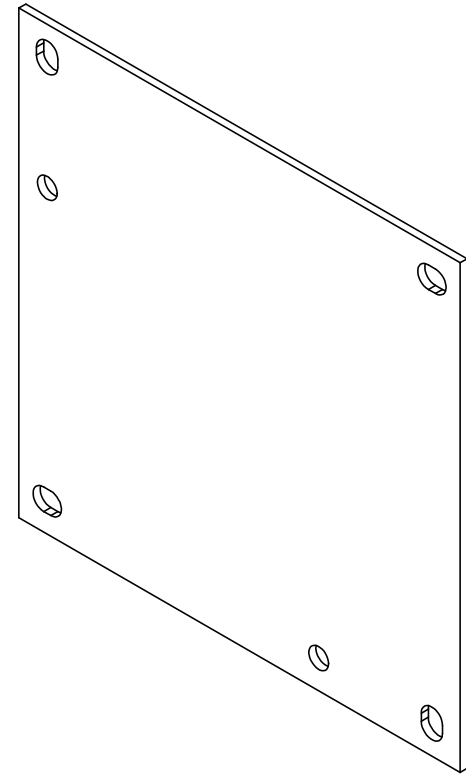
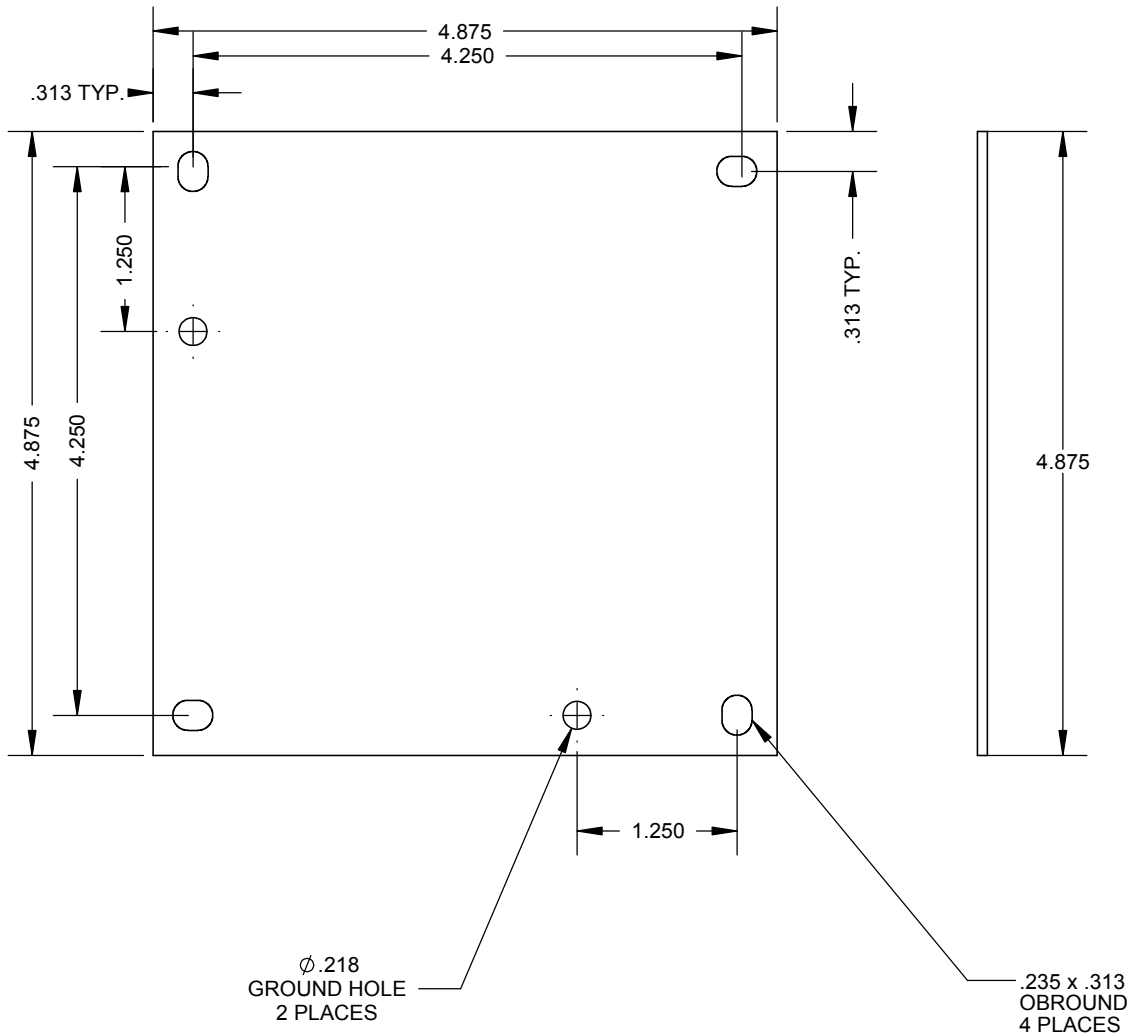


Catalog Number: A-66SBP
Item Description: STEEL PANELS
UPC Code: 784572174122

Brand Name: Milbank
Type: Panel for Mounting Electronic Controls
Application: Enclosure Accessory
Material: Steel
Shape: Square
Color: White
Mounting: Stud Mount


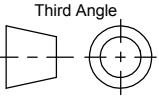


Utility requirements may vary. Always consult the serving utility for their requirements prior to ordering or installing this equipment. This product must always be installed by a licensed electrician. Installation of this equipment may require local electrical inspector approval.



$\phi .218$
GROUND HOLE
2 PLACES

.235 x .313
OBROUND
4 PLACES

| | | | | |
|--|-------------------|--|---|----------------------------|
| Material: | 14 GA. GALV STEEL | |  MILBANK ENERGY AT WORK General Offices: Kansas City, MO | |
| Finish: | PAINTED WHITE | | | |
| Tolerances: Unless Specified Otherwise X.X ±.1 X.XX ±.03 X.XXX ±.015 X° ±2° | | Third Angle  | Title: | BACK PANEL 6 x 6 |
| | | Projection | Catalog No.: | A-66SBP |
| | | | Ref: | |
| | | | Drawing No.: | 1012359 |
| ** | 6/10/14 | FIRST RELEASE | AJS | |
| Scale: | NTS | Checked By: | | |
| Drawn By: | AJS | Approved By: | | Date: 6/10/14 Sheet 1 of 1 |