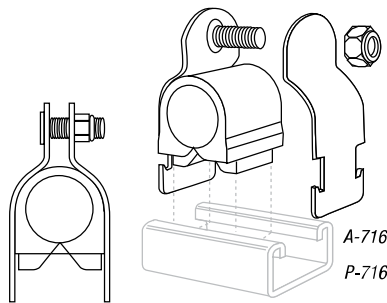


Pipe Straps, Conduit Clamps and Hangers

A-716 — Snap•Guard® Cushioned Clamp Tube Series

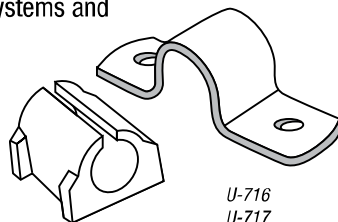
P-716 — Pipe Series

- Assembly consisting of GoldGalv® finish steel clamp with bolt/locknut and cushion
- Secure pipes, tubes and hoses for fluid conductors
- Installation is easy and requires no more time than a simple pipe clamp installation
- Cushion absorbs the shocks and associated vibrations from fluid surges in tubes, pipes and hoses
- Can handle temperatures from -40° F to 300° F
- Cushioned Clamp assemblies are available individually bagged



U-716, U-717 — Two-Hole Cushioned Clamp

- Guides, protects and uniformly spaces line runs. Low-cost, time-saving method of attaching tubing and hose to equipment
- Cushion is built to withstand the effects of most oils, chemical and industrial cleaning compounds, in temperatures from -50° F to 275° F. Interlock edge ensures cushion remains in place
- Clamp available in steel with the GoldGalv® hardware finish
- Attached with two standard fasteners to any flat surface, this clamp eliminates the use of special channels, providing a savings in both space requirements and cost
- Cushioned clamps reduce vibration, shock and noise in fluid systems and eliminate electrolysis



O.D. TUBING SIZES		STANDARD PIPE SIZES		STD. CTN.
ASSEMBLY CAT. NO.	TUBE O.D. (IN.)	ASSEMBLY CAT. NO.	NOMINAL PIPE SIZE (IN.)	
A-716-1/4	1/4	P-716-1/4	1/4	25
A-716-3/8	3/8	P-716-3/8	3/8	25
A-716-1/2	1/2	P-716-1/2	1/2	25
A-716-5/8	5/8	P-716-3/4	3/4	25
A-716-3/4	3/4	P-716-1	1	25
A-716-7/8	7/8	P-716-1-1/4	1 1/4	25
A-716-1	1	P-716-1-1/2	1 1/2	10
A-716-1-1/8	1 1/8	P-716-2	2	10
A-716-1-1/4	1 1/4	P716-2-1/2	2 1/2	10
A-716-1-3/8	1 3/8	P-716-3	3	10
A-716-1-1/2	1 1/2	P-716-3-1/2	3 1/2	10
A-716-1-5/8	1 5/8	P-716-4	4	10
A-716-1-3/4	1 3/4	—	—	10
A-716-1-7/8	1 7/8	—	—	10
A-716-2	2	—	—	10
A-716-2-1/8	2 1/8	—	—	10
A-716-2-3/8	2 3/8	—	—	10
A-716-2-5/8	2 5/8	—	—	10
A-716-3-1/8	3 1/8	—	—	10
A716-4-1/8	4 1/8	—	—	10

Standard Finishes — GoldGalv® brand. Available in Stainless Steel — use SS suffix. (i.e) A-716-1SS, Electro-Galvanized (Silver) — use EG suffix. (i.e) A-716-1EG

ASSEMBLY CAT. NO.	COPPER AND STEEL TUBING O.D. (IN.)	COPPER WATER PIPE (NOM.) (IN.)	NOMINAL PIPE SIZE (IN.)	STD. CTN.
U716 1/4	1/4	—	—	25
U-716-3/8	3/8	1/4	—	25
U-716-1/2	1/2	3/8	1/4	25
U-716-5/8	5/8	1/2	3/8	25
U-716-3/4	3/4	5/8	—	25
U-716-7/8	7/8	3/4	1/2	25
U-716-1	1	—	—	25
U-716-1-1/8	1 1/8	1	—	25
U-716-1-1/4	1 1/4	—	—	10
U-716-1-3/8	1 3/8	1 1/4	—	10
U-716-1-1/2	1 1/2	—	—	10
U-716-1-5/8	1 5/8	1 1/2	—	10
U-716-1-3/4	1 3/4	—	—	10
U-716-1-7/8	1 7/8	—	1 1/2	10
U-716-2	2	—	—	10
U-716-2-1/8	2 1/8	—	—	10
U-716-2-3/8	2 3/8	—	—	10
U-717-3/4	—	—	3/4	25
U-717-1	—	—	1	10
U-717-1-1/4	—	—	1 1/4	10

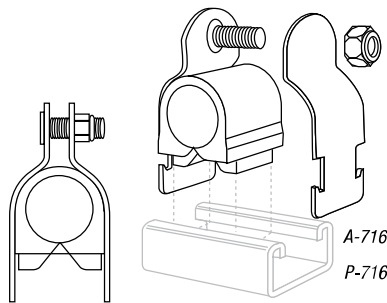
Standard Finish — GoldGalv®

Pipe Straps, Conduit Clamps and Hangers

A-716 — Snap•Guard® Cushioned Clamp Tube Series

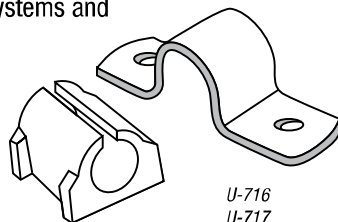
P-716 — Pipe Series

- Assembly consisting of GoldGalv® finish steel clamp with bolt/locknut and cushion
- Secure pipes, tubes and hoses for fluid conductors
- Installation is easy and requires no more time than a simple pipe clamp installation
- Cushion absorbs the shocks and associated vibrations from fluid surges in tubes, pipes and hoses
- Can handle temperatures from -40° F to 300° F
- Cushioned Clamp assemblies are available individually bagged



U-716, U-717 — Two-Hole Cushioned Clamp

- Guides, protects and uniformly spaces line runs. Low-cost, time-saving method of attaching tubing and hose to equipment
- Cushion is built to withstand the effects of most oils, chemical and industrial cleaning compounds, in temperatures from -50° F to 275° F. Interlock edge ensures cushion remains in place
- Clamp available in steel with the GoldGalv® hardware finish
- Attached with two standard fasteners to any flat surface, this clamp eliminates the use of special channels, providing a savings in both space requirements and cost
- Cushioned clamps reduce vibration, shock and noise in fluid systems and eliminate electrolysis



O.D. TUBING SIZES		STANDARD PIPE SIZES		STD. CTN.
ASSEMBLY CAT. NO.	TUBE O.D. (IN.)	ASSEMBLY CAT. NO.	NOMINAL PIPE SIZE (IN.)	
A-716-1/4	¼	P-716-1/4	¼	25
A-716-3/8	⅜	P-716-3/8	⅜	25
A-716-1/2	½	P-716-1/2	½	25
A-716-5/8	⅝	P-716-3/4	¾	25
A-716-3/4	¾	P-716-1	1	25
A-716-7/8	⅞	P-716-1-1/4	1¼	25
A-716-1	1	P-716-1-1/2	1½	10
A-716-1-1/8	1⅛	P-716-2	2	10
A-716-1-1/4	1¼	P716-2-1/2	2½	10
A-716-1-3/8	1⅜	P-716-3	3	10
A-716-1-1/2	1½	P-716-3-1/2	3½	10
A-716-1-5/8	1⅝	P-716-4	4	10
A-716-1-3/4	1¾	—	—	10
A-716-1-7/8	1⅞	—	—	10
A-716-2	2	—	—	10
A-716-2-1/8	2⅛	—	—	10
A-716-2-3/8	2⅜	—	—	10
A-716-2-5/8	2⅝	—	—	10
A-716-3-1/8	3⅛	—	—	10
A716-4-1/8	4⅛	—	—	10

Standard Finishes — GoldGalv® brand. Available in Stainless Steel — use SS suffix. (i.e) A-716-1SS, Electro-Galvanized (Silver) — use EG suffix. (i.e) A-716-1EG

ASSEMBLY CAT. NO.	COPPER AND STEEL TUBING O.D. (IN.)	COPPER WATER PIPE (NOM.) (IN.)	NOMINAL PIPE SIZE (IN.)	STD. CTN.
U716 1/4	¼	—	—	25
U-716-3/8	⅜	¼	—	25
U-716-1/2	½	⅜	¼	25
U-716-5/8	⅝	½	⅜	25
U-716-3/4	¾	⅝	—	25
U-716-7/8	⅞	¾	½	25
U-716-1	1	—	—	25
U-716-1-1/8	1⅛	1	—	25
U-716-1-1/4	1¼	—	—	10
U-716-1-3/8	1⅜	1¼	—	10
U-716-1-1/2	1½	—	—	10
U-716-1-5/8	1⅝	1½	—	10
U-716-1-3/4	1¾	—	—	10
U-716-1-7/8	1⅞	—	1½	10
U-716-2	2	—	—	10
U-716-2-1/8	2⅛	—	—	10
U-716-2-3/8	2⅜	—	—	10
U-717-3/4	—	—	¾	25
U-717-1	—	—	1	10
U-717-1-1/4	—	—	1¼	10

Standard Finish — GoldGalv®