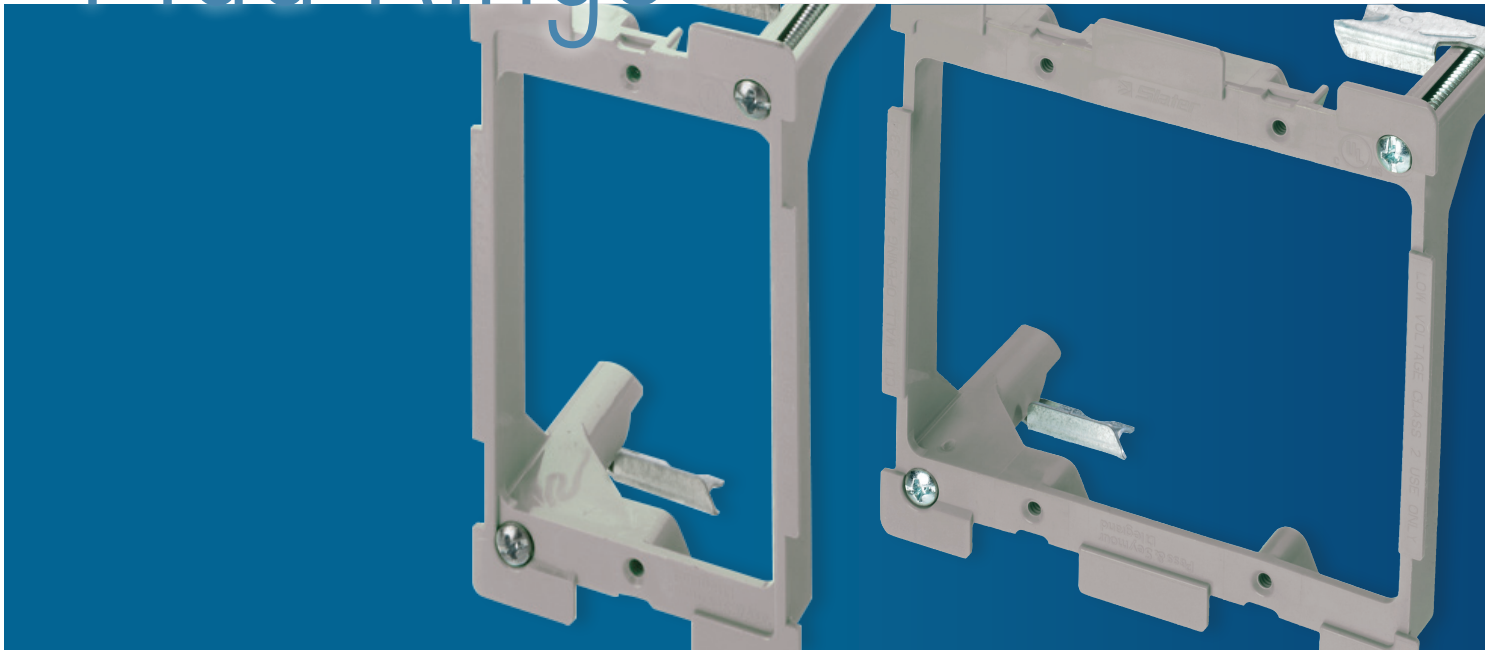


Mud Rings



LEGRAND HAS EVERYTHING YOU NEED...

The On-Q line of low voltage brackets and mud rings are durably crafted for easy alignment and visibility. Designed with spacious openings and

stabilizer tabs, they keep wire-pulling simple whether for retrofit or new construction jobs. Available in single, double, and triple-gang models.

FEATURES

- Spacious opening accommodates large devices and facilitates wiring process
- Reliable, side stabilizer tabs keep it aligned with the stud
- Rigid plastic retains shape for ease of alignment during installation

Associated Skus:

- **AC1009-01** Single Gang LV Bracket with Nail (New Construction)



- **AC1009-02** Double Gang LV Bracket, Face Mount (New Construction)



- **AC1009-11** Single Gang LV Bracket, Face Mount (New Construction)



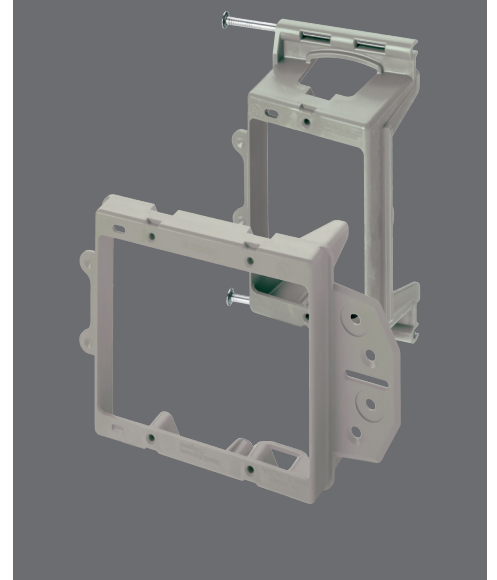
- **AC1010-01** Single Gang, LV Bracket (Retrofit)



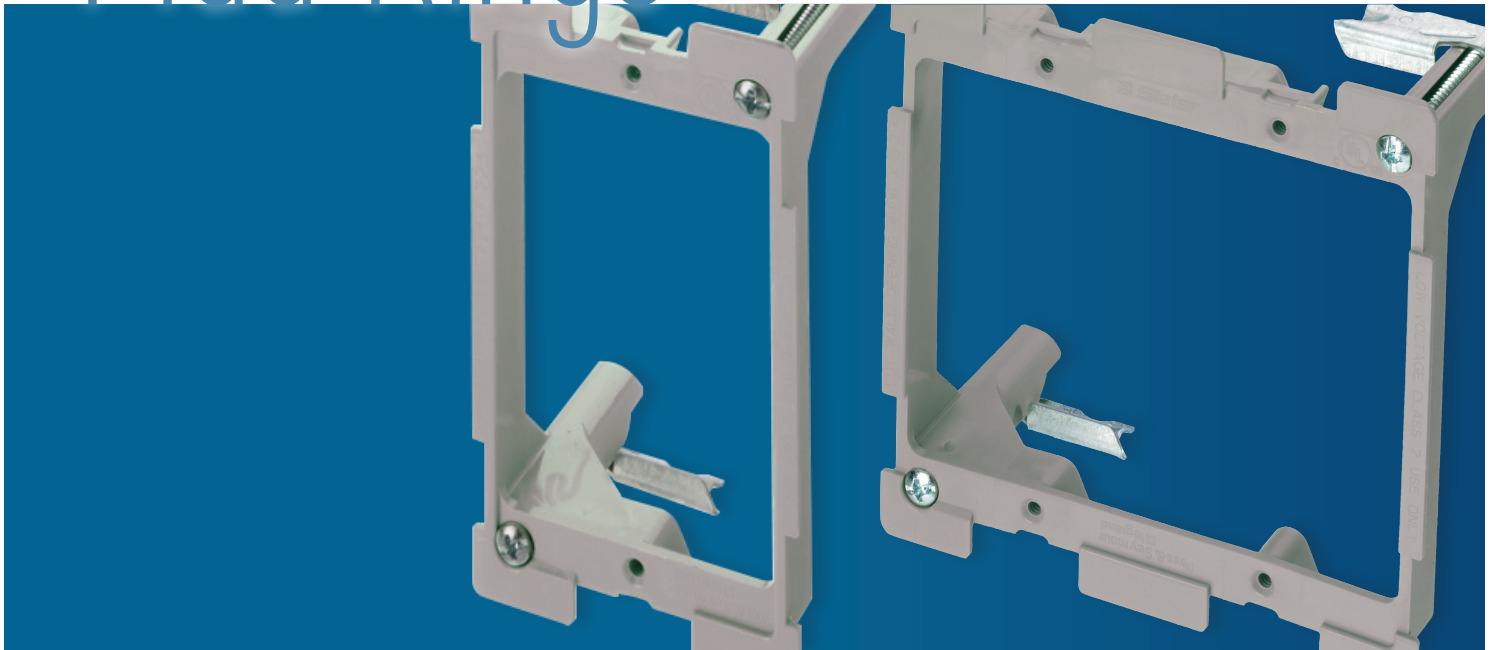
- **AC1010-02** Double Gang, LV Bracket (Retrofit)



- **AC1010-03** Triple Gang, LV Bracket (Retrofit)



Mud Rings



LEGRAND HAS EVERYTHING YOU NEED...

The On-Q line of low voltage brackets and mud rings are durably crafted for easy alignment and visibility. Designed with spacious openings and

stabilizer tabs, they keep wire-pulling simple whether for retrofit or new construction jobs. Available in single, double, and triple-gang models.

FEATURES

- Spacious opening accommodates large devices and facilitates wiring process
- Reliable, side stabilizer tabs keep it aligned with the stud
- Rigid plastic retains shape for ease of alignment during installation

Associated Skus:

- **AC1009-01** Single Gang LV Bracket with Nail (New Construction)



- **AC1009-02** Double Gang LV Bracket, Face Mount (New Construction)



- **AC1009-11** Single Gang LV Bracket, Face Mount (New Construction)



- **AC1010-01** Single Gang, LV Bracket (Retrofit)



- **AC1010-02** Double Gang, LV Bracket (Retrofit)



- **AC1010-03** Triple Gang, LV Bracket (Retrofit)

